



US00D703590S

(12) **United States Design Patent**
Futschik et al.

(10) **Patent No.:** **US D703,590 S**

(45) **Date of Patent:** **** Apr. 29, 2014**

(54) **FRONT PORTION OF A VEHICLE, TOY,
AND/OR REPLICAS THEREOF**

(75) Inventors: **Hans-Dieter Futschik**, Stuttgart (DE);
Robert Lesnik, Stuttgart (DE); **Gorden
Wagener**, Stuttgart (DE)

(73) Assignee: **Daimler AG**, Stuttgart (DE)

(**) Term: **14 Years**

(21) Appl. No.: **29/419,074**

(22) Filed: **Apr. 25, 2012**

(30) **Foreign Application Priority Data**

Oct. 26, 2011 (DE) 40 2011 005 283

(51) **LOC (10) Cl.** **12-16**

(52) **U.S. Cl.**
USPC **D12/164**

(58) **Field of Classification Search**
USPC D12/86, 90-92, 162; D21/424, 433,
D21/434; 296/181.1, 181.5
See application file for complete search history.

(56) **References Cited**

U.S. PATENT DOCUMENTS

D514,027 S	1/2006	Pfeiffer et al.	
D601,924 S *	10/2009	Bauer et al.	D12/91
D634,678 S *	3/2011	Futschik et al.	D12/164
D635,898 S *	4/2011	Baur et al.	D12/164
D679,222 S *	4/2013	Frei et al.	D12/92
D680,031 S *	4/2013	Fetherston et al.	D12/92
D680,035 S *	4/2013	Fetherston et al.	D12/164

* cited by examiner

Primary Examiner — Melody Brown

(74) *Attorney, Agent, or Firm* — Crowell & Moring LLP

(57) **CLAIM**

The ornamental design for a front portion of a vehicle, toy, and/or replicas thereof, as shown and described.

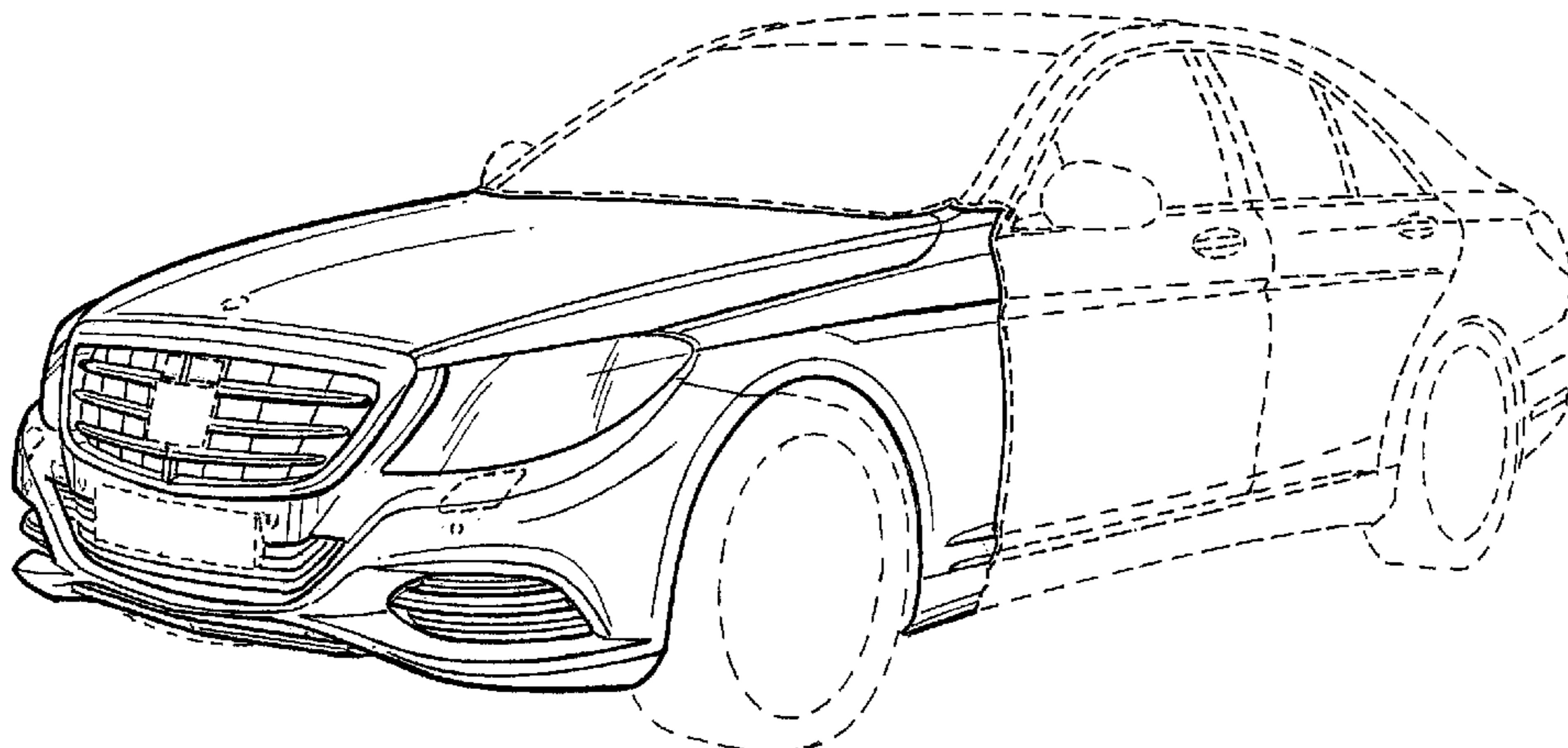
DESCRIPTION

This application contains subject matter related to the following co-pending U.S. design patent applications: Application Ser. No. 29/419,073, filed herewith and entitled “Vehicle, Toy, and/or Replicas Thereof”; Application Ser. No. 29/419,075, filed herewith and entitled “Front Portion of a Vehicle, Toy, and/or Replicas Thereof”; Application Ser. No. 29/419,079, filed herewith and entitled “Headlight for a Vehicle”; Application Ser. No. 29/419,080, filed herewith and entitled “Headlight for a Vehicle”; Application Ser. No. 29/419,081, filed herewith and entitled “Headlight for a Vehicle”; Application Ser. No. 29/419,084, filed herewith and entitled “Front Bumper for a Vehicle”; Application Ser. No. 29/419,086, filed herewith and entitled “Front Fender for a Vehicle”; Application Ser. No. 29/419,087, filed herewith and entitled “Radiator Grill for a Vehicle”; Application Ser. No. 29/419,088, filed herewith and entitled “Radiator Grill for a Vehicle”; and Application Ser. No. 29/419,089, filed herewith and entitled “Hood for a Vehicle”.

FIG. 1 is a left, front perspective view of a front portion of a vehicle, toy, and/or replicas thereof according to our design, the right, front perspective view being mirror symmetrical; FIG. 2 is a front view thereof; FIG. 3 is a left side view thereof, the right side view being mirror symmetrical; and, FIG. 4 is a top view thereof.

The broken lines are for illustrative purposes only and form no part of the claimed design. The broken lines which define the bounds of the claimed design form no part thereof.

1 Claim, 3 Drawing Sheets



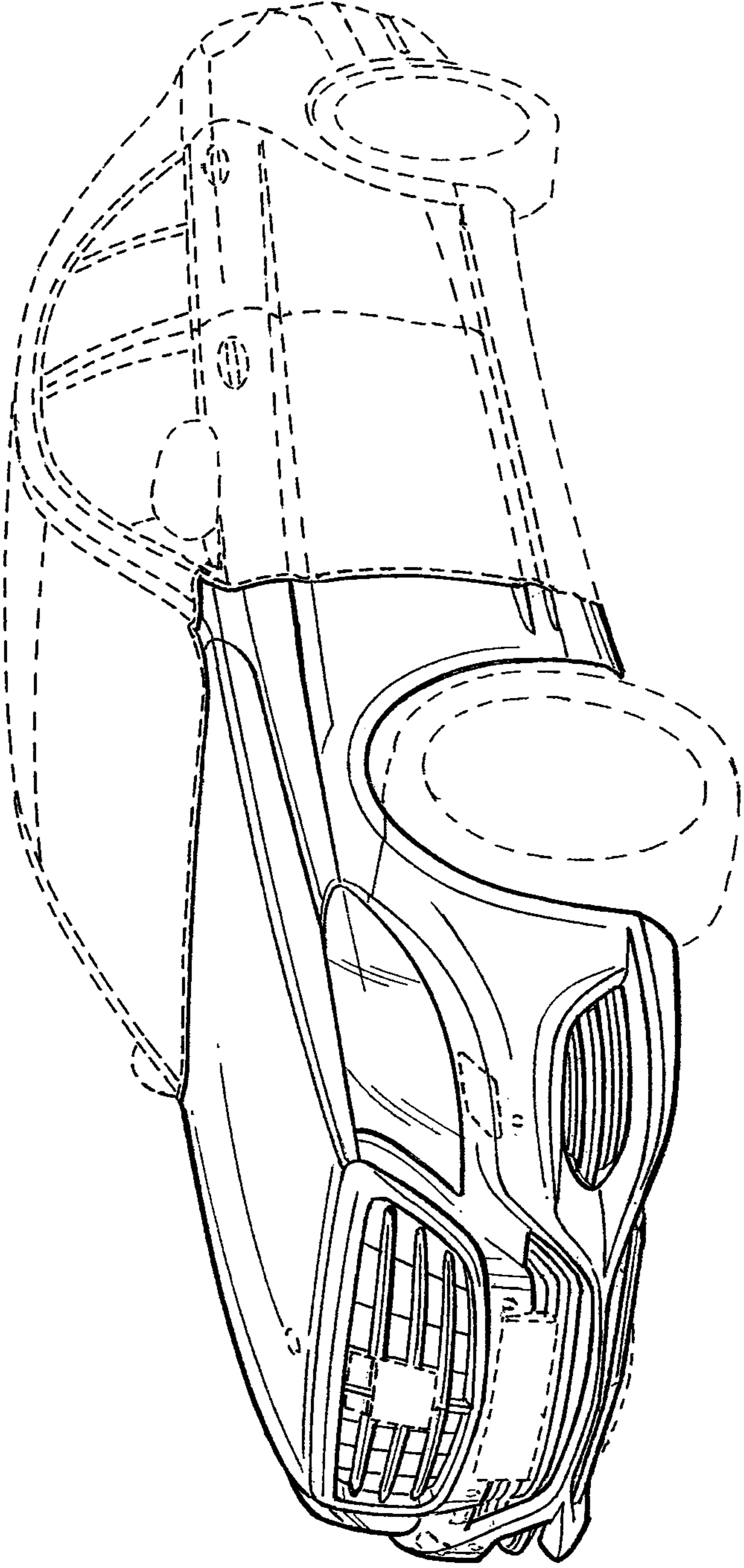


FIG. 1

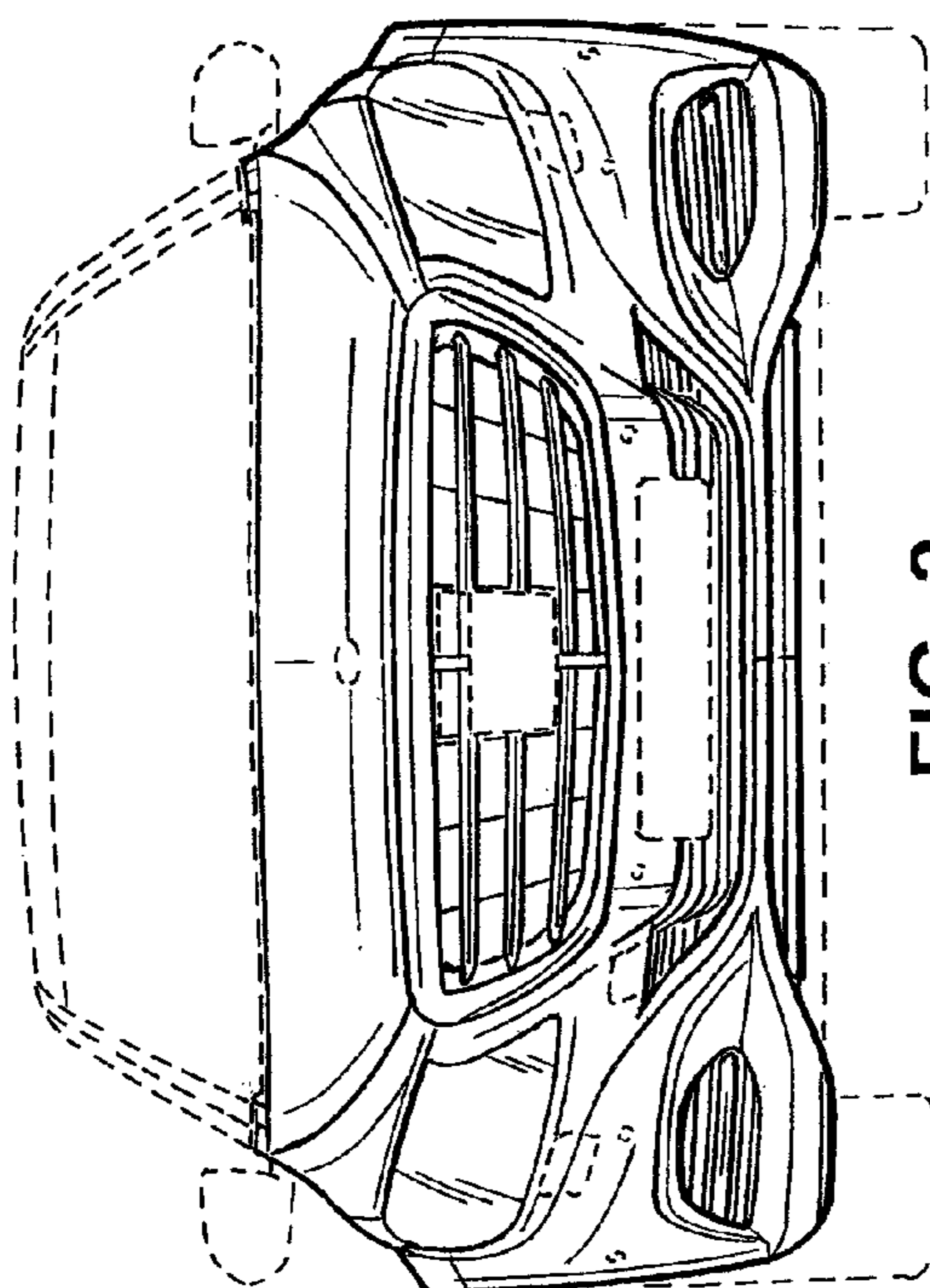


FIG. 2

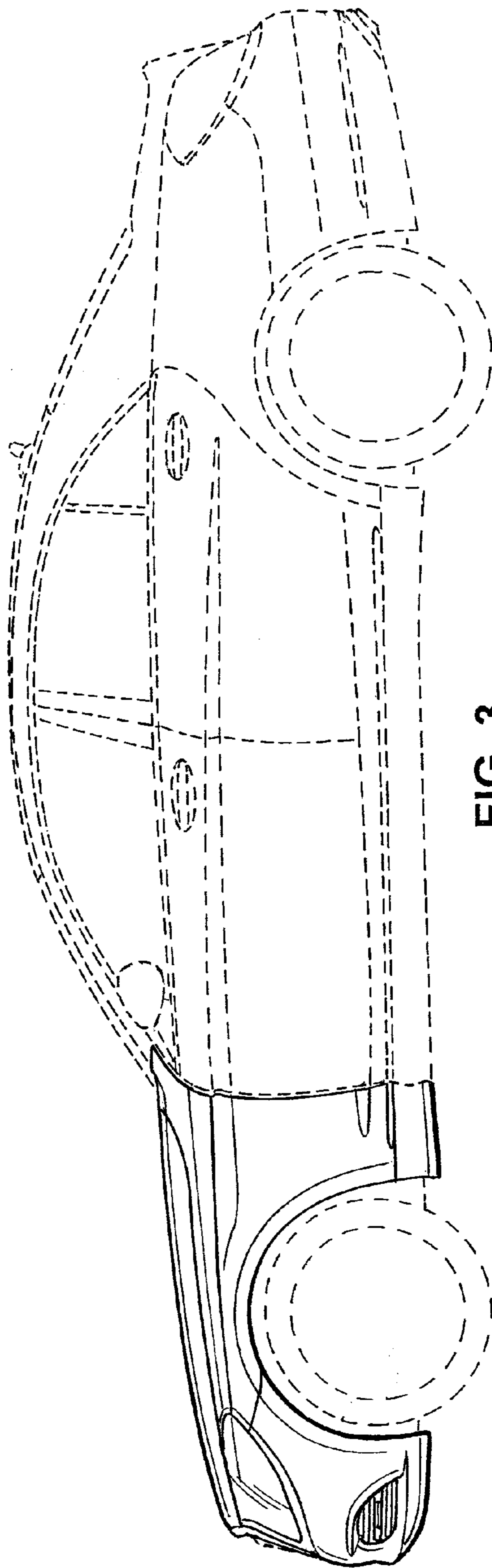


FIG. 3

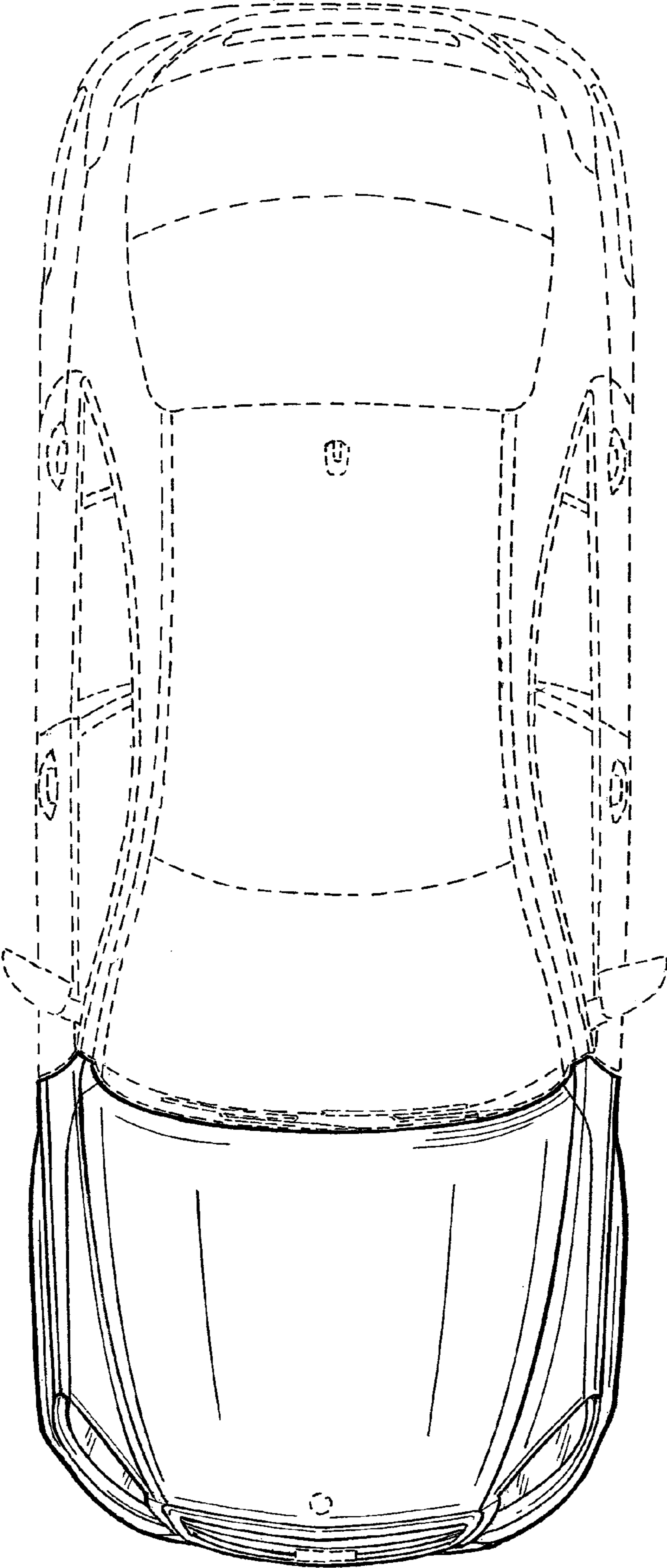


FIG. 4