



US00D703587S

(12) **United States Design Patent**
Wen

(10) **Patent No.:** **US D703,587 S**

(45) **Date of Patent:** **** Apr. 29, 2014**

(54) **CABLE SHEATH**

(71) Applicant: **Yuan-Hung Wen**, Chang Hua County
(TW)

(72) Inventor: **Yuan-Hung Wen**, Chang Hua County
(TW)

(**) Term: **14 Years**

(21) Appl. No.: **29/450,091**

(22) Filed: **Mar. 15, 2013**

(51) **LOC (10) Cl.** **12-11**

(52) **U.S. Cl.**
USPC **D12/114**

(58) **Field of Classification Search**
USPC D12/114; 464/173; 74/502.6, 502.4,
74/502.2, 502.5, 502.3; 17/102 R;
188/65.1, 2 D; 403/74, 252; 285/261,
285/263; 251/354, 900, 149.4; 119/75;
123/468

See application file for complete search history.

(56) **References Cited**

U.S. PATENT DOCUMENTS

4,356,998	A *	11/1982	Bach et al.	251/354
5,391,014	A *	2/1995	Chen	403/74
5,975,490	A *	11/1999	Essman	251/149.4
7,562,648	B1 *	7/2009	Wagner et al.	123/468
D602,262	S *	10/2009	Seckinger	D6/302

2004/0037923	A1 *	2/2004	Chan	426/91
2005/0029059	A1 *	2/2005	Drew	188/65.1
2005/0093295	A1 *	5/2005	Byerly et al.	285/261
2006/0179966	A1 *	8/2006	Kuo	74/502.5
2009/0235773	A1 *	9/2009	Wen	74/502.4
2010/0326231	A1 *	12/2010	Kuo	74/502.5
2011/0034257	A1 *	2/2011	Wen	464/173
2012/0160537	A1 *	6/2012	Wen	174/102 R
2012/0247262	A1 *	10/2012	Wen	74/502.2
2013/0209616	A1 *	8/2013	Bottini et al.	426/91

* cited by examiner

Primary Examiner — Eric Goodman

Assistant Examiner — Ryan Harvey

(74) *Attorney, Agent, or Firm* — Muncy, Geissler, Olds & Lowe, P.C.

(57) **CLAIM**

The ornamental design for a cable sheath, as shown and described.

DESCRIPTION

FIG. 1 is a perspective view of a cable sheath showing my new design;

FIG. 2 is a front elevational view thereof; the rear being a mirror image;

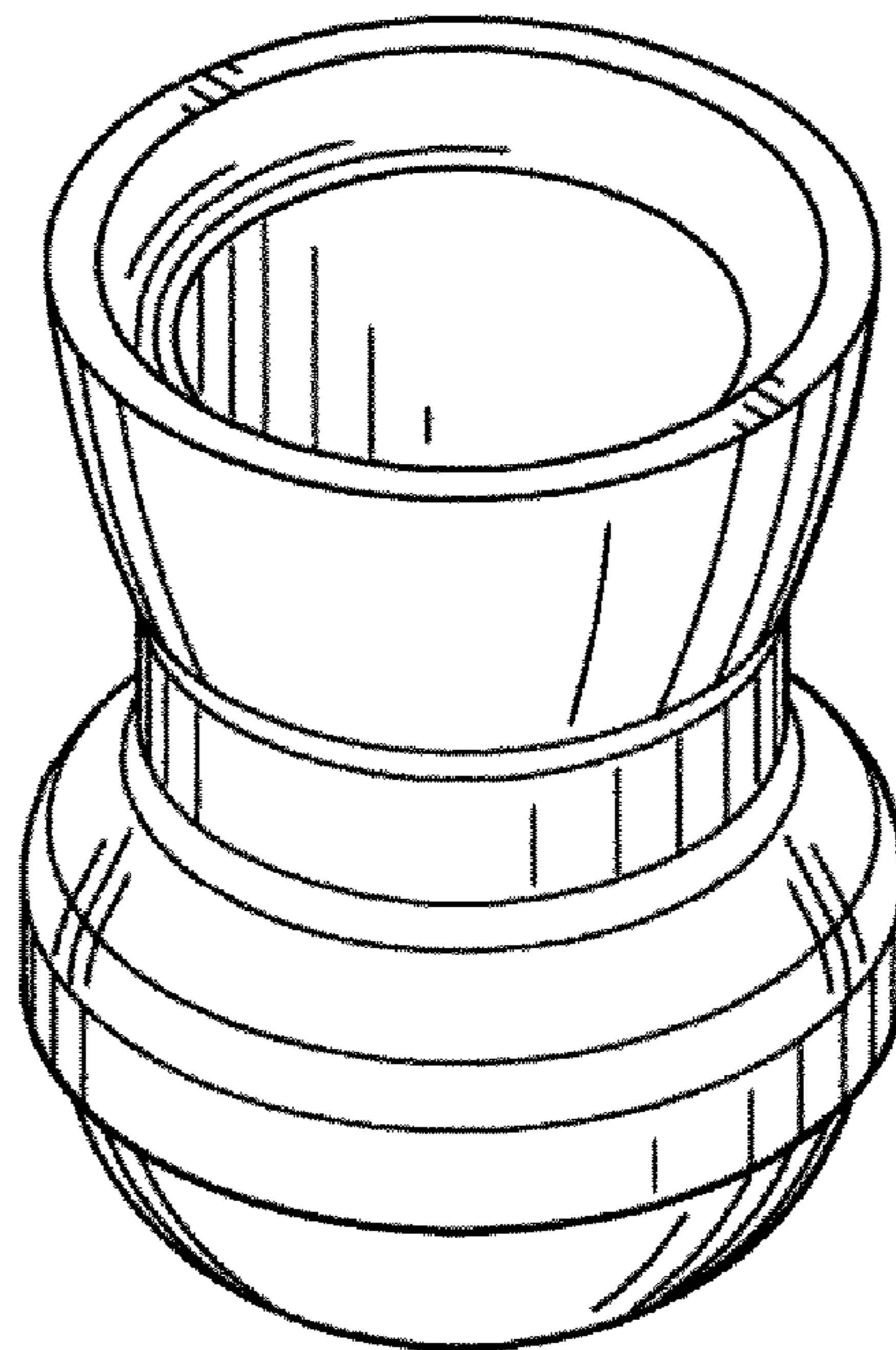
FIG. 3 is a left side view thereof; the right side being a mirror image;

FIG. 4 is a top plan view thereof;

FIG. 5 is a bottom plan view thereof; and,

FIG. 6 is a right, bottom plan view of the cable sheath.

1 Claim, 5 Drawing Sheets



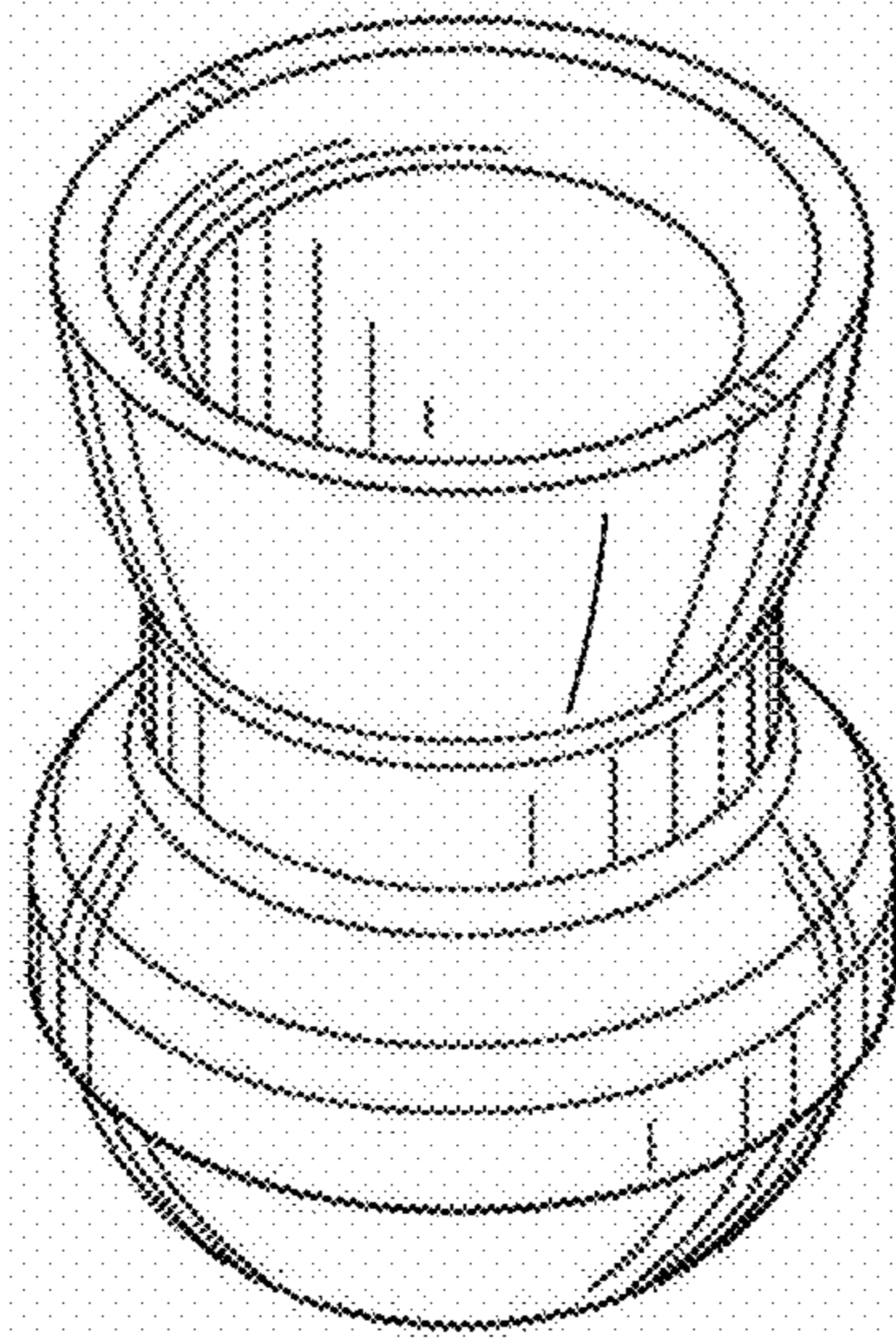


FIG. 1

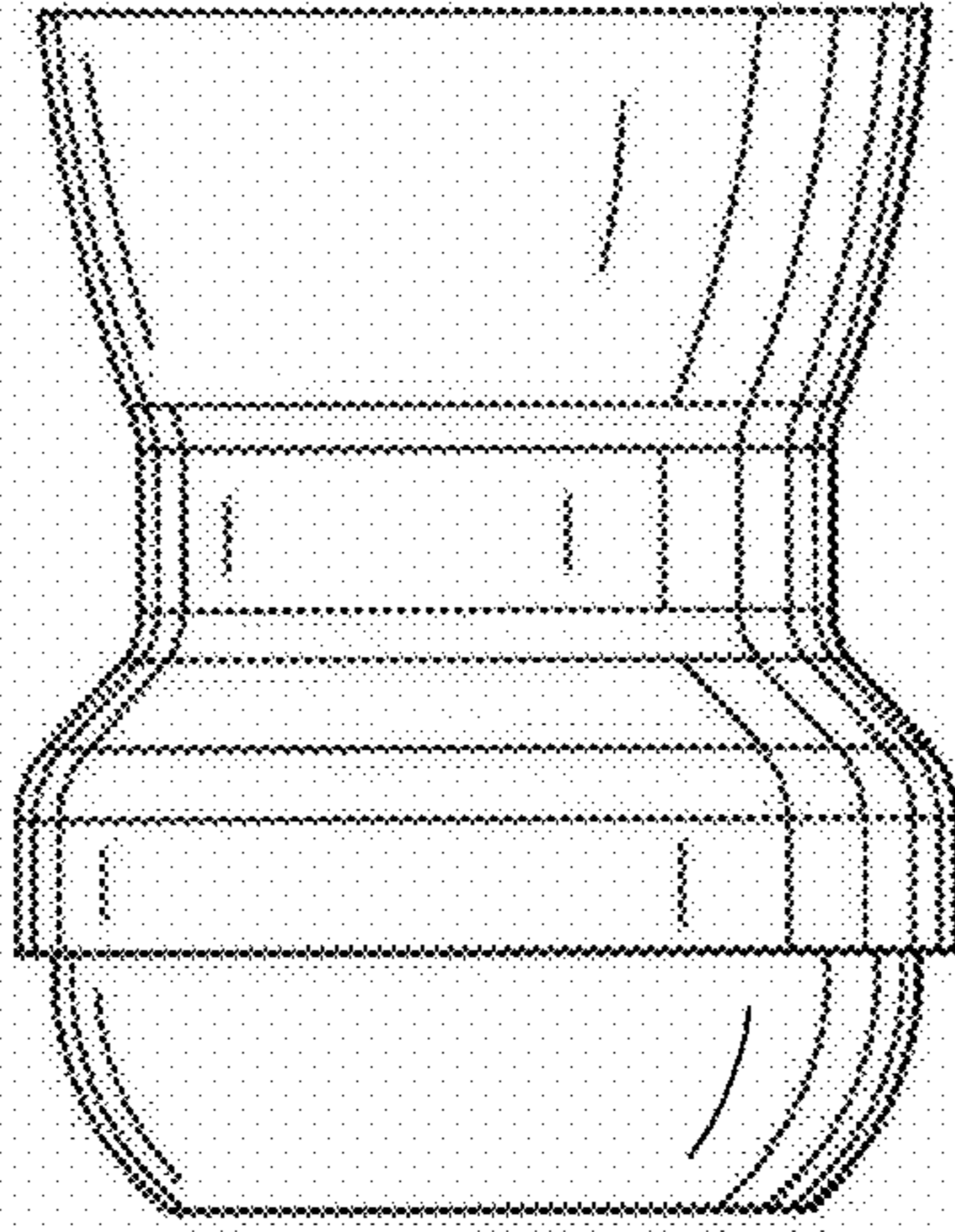


FIG. 2

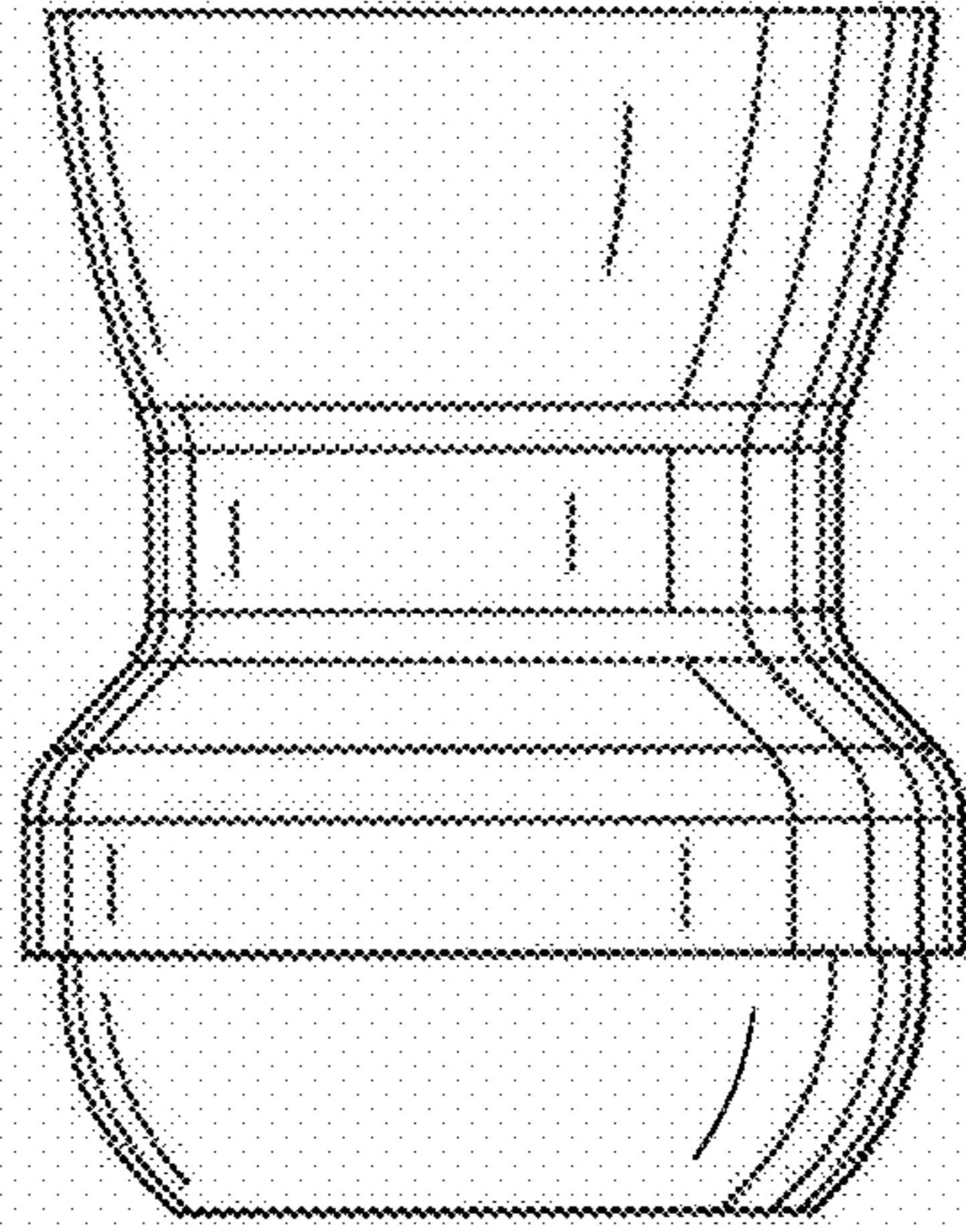


FIG. 3

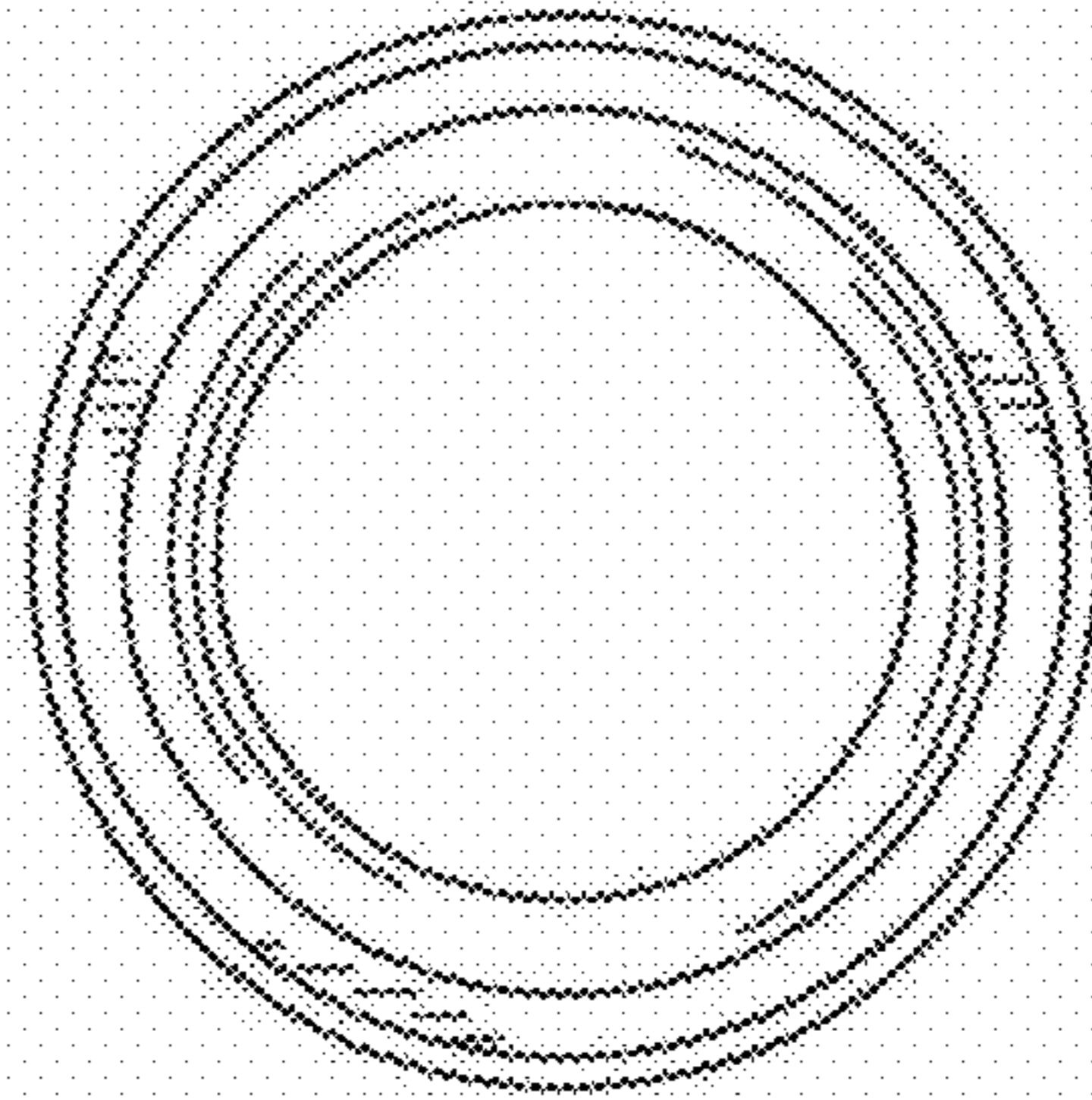


FIG. 4

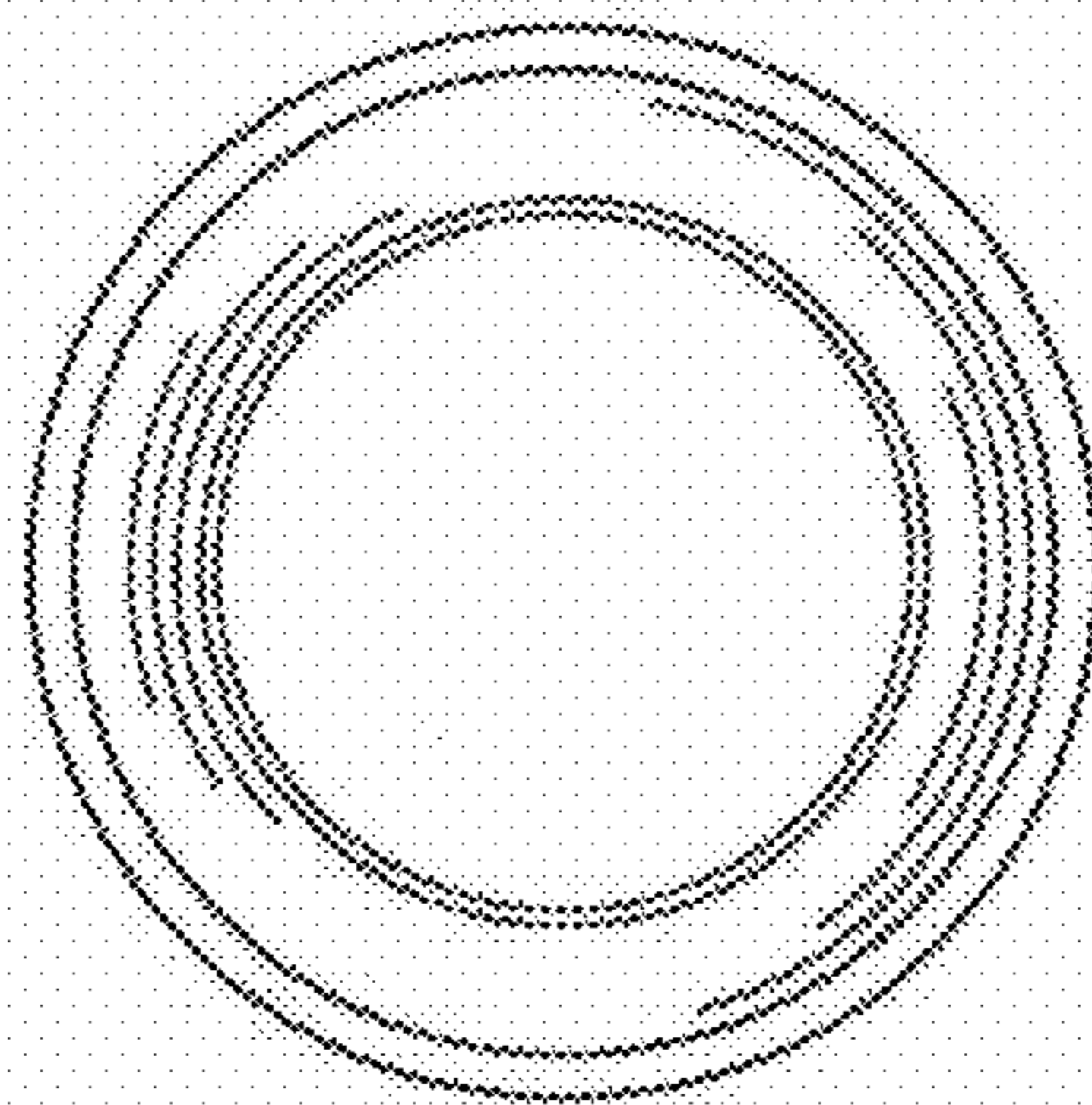


FIG. 5

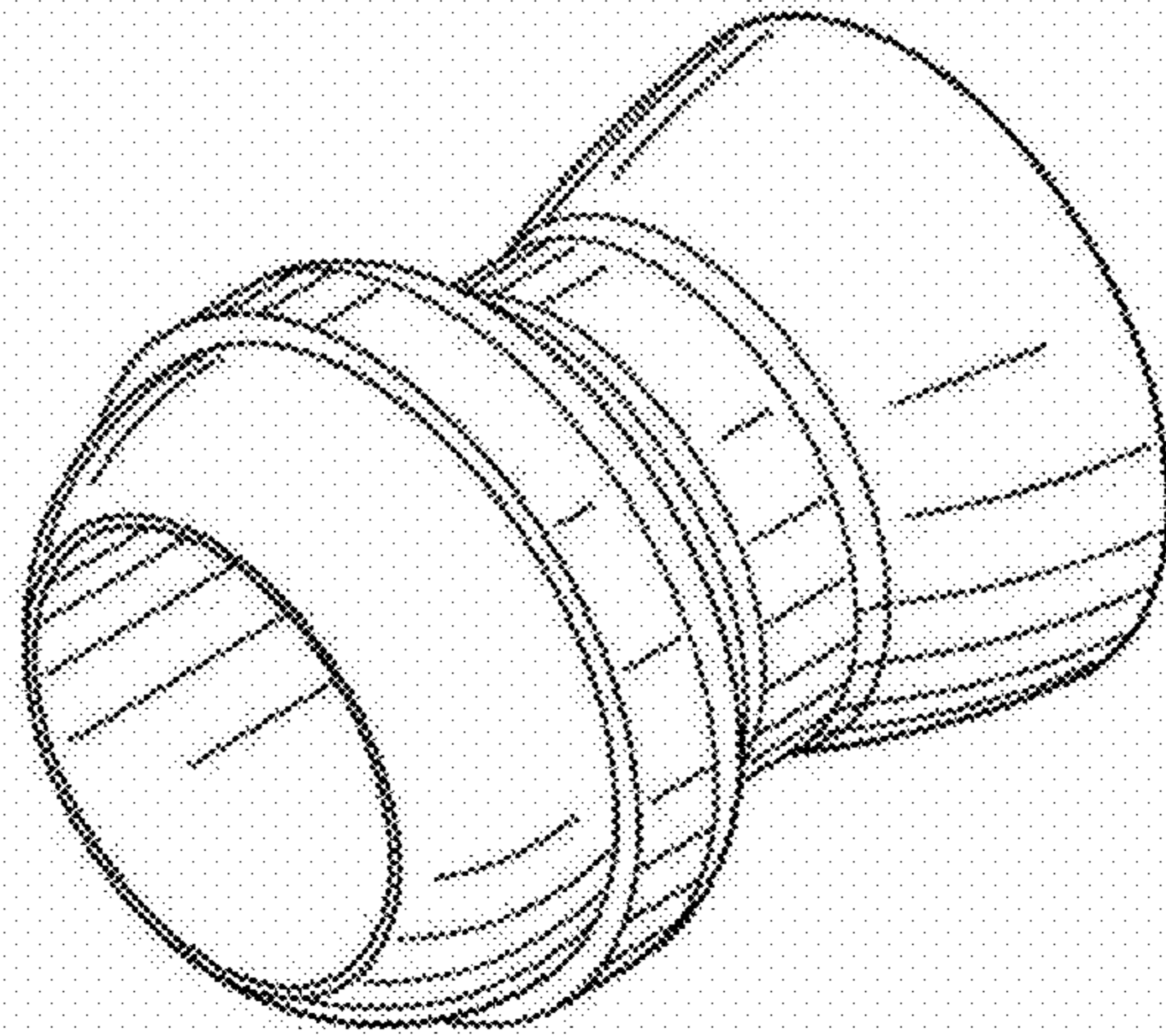


FIG. 6