



US00D703586S

(12) **United States Design Patent**  
**Platto et al.**

(10) **Patent No.:** **US D703,586 S**

(45) **Date of Patent:** **\*\* Apr. 29, 2014**

(54) **VEHICLE EXTERIOR**

(71) Applicant: **Ford Motor Company**, Dearborn, MI (US)

(72) Inventors: **Gordon M. Platto**, Troy, MI (US); **Brad Alan Richards**, Bloomfield Hills, MI (US); **Dong Park**, Royal Oak, MI (US); **Jonathan Fontaine**, Royal Oak, MI (US); **Anthony Meyer**, Dearborn, MI (US); **Bruce Preston Williams**, Grosse Pointe Park, MI (US)

(73) Assignee: **Ford Motor Company**, Dearborn, MI (US)

(\*\*) Term: **14 Years**

(21) Appl. No.: **29/440,243**

(22) Filed: **Dec. 20, 2012**

(51) **LOC (10) Cl.** ..... **12-08**

(52) **U.S. Cl.**  
USPC ..... **D12/98**

(58) **Field of Classification Search**  
USPC ..... D12/86, 90, 91, 92, 98; D21/533;  
296/181.1, 181.5, 183.1, 37.6

See application file for complete search history.

(56) **References Cited**

**U.S. PATENT DOCUMENTS**

D430,068	S	*	8/2000	Castiglione et al.	.....	D12/98
D516,957	S	*	3/2006	O'Connell et al.	.....	D12/91
D537,016	S	*	2/2007	Shimoguchi et al.	.....	D12/98
D570,743	S	*	6/2008	Takagi et al.	.....	D12/98
D588,501	S	*	3/2009	Kruger et al.	.....	D12/98
D589,407	S	*	3/2009	Kruger et al.	.....	D12/98

D596,532	S	*	7/2009	Opfer et al.	.....	D12/98
D601,925	S	*	10/2009	O'Donnell	.....	D12/98
D604,203	S	*	11/2009	O'Donnell	.....	D12/98
D657,718	S	*	4/2012	Zipfel et al.	.....	D12/98
D659,053	S	*	5/2012	Ware et al.	.....	D12/98

**OTHER PUBLICATIONS**

Ron Sessions. Ford Atlas Concept. Jan. 15, 2013 [online], [retrieved on Aug. 15, 2013]. Retrieved from the Internet <URL: <http://www.caranddriver.com/news/ford-atlas-concept-photos-and-info-news>>.\*

Ford Atlas Concept. Ford Press Kit. Jan. 14, 2013 [online], [retrieved on Aug. 15, 2013]. Retrieved from the Internet <URL: <http://fordatlasconcept.fordpresskits.com/enhanced.htm>>.\*

\* cited by examiner

*Primary Examiner* — Philip S Hyder

*Assistant Examiner* — Darlington Ly

(74) *Attorney, Agent, or Firm* — Damian Porcari

(57) **CLAIM**

The ornamental design for a vehicle exterior, as shown and described.

**DESCRIPTION**

FIG. 1 is a front and left side perspective view of a vehicle exterior;  
FIG. 2 is a front elevation view thereof;  
FIG. 3 is a left side elevation view thereof;  
FIG. 4 is a rear elevation view thereof;  
FIG. 5 is a right side elevation view thereof;  
FIG. 6 is a top and left side perspective view thereof; and,  
FIG. 7 is a rear and left side perspective view thereof.

**1 Claim, 7 Drawing Sheets**



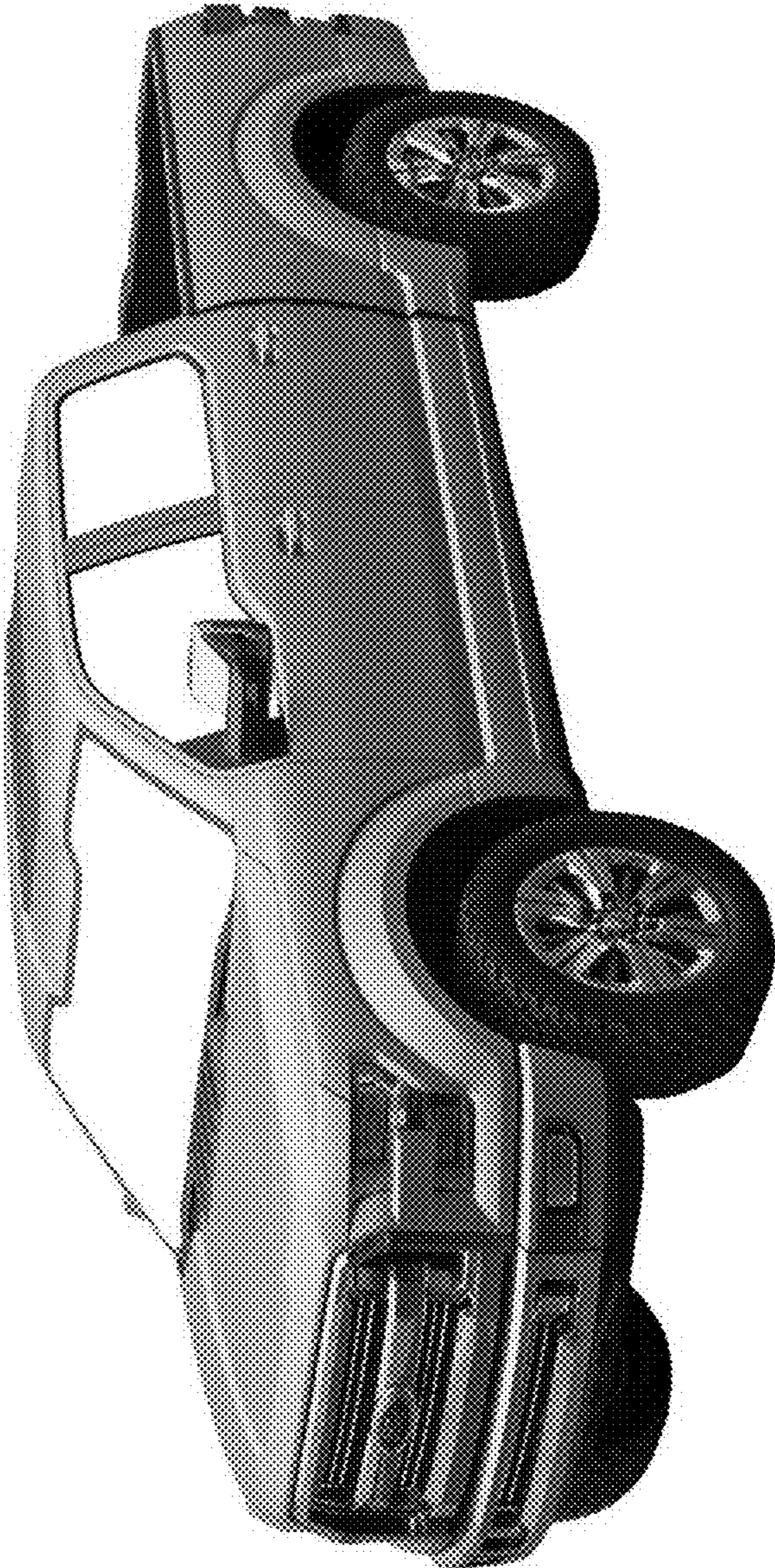


Fig 1

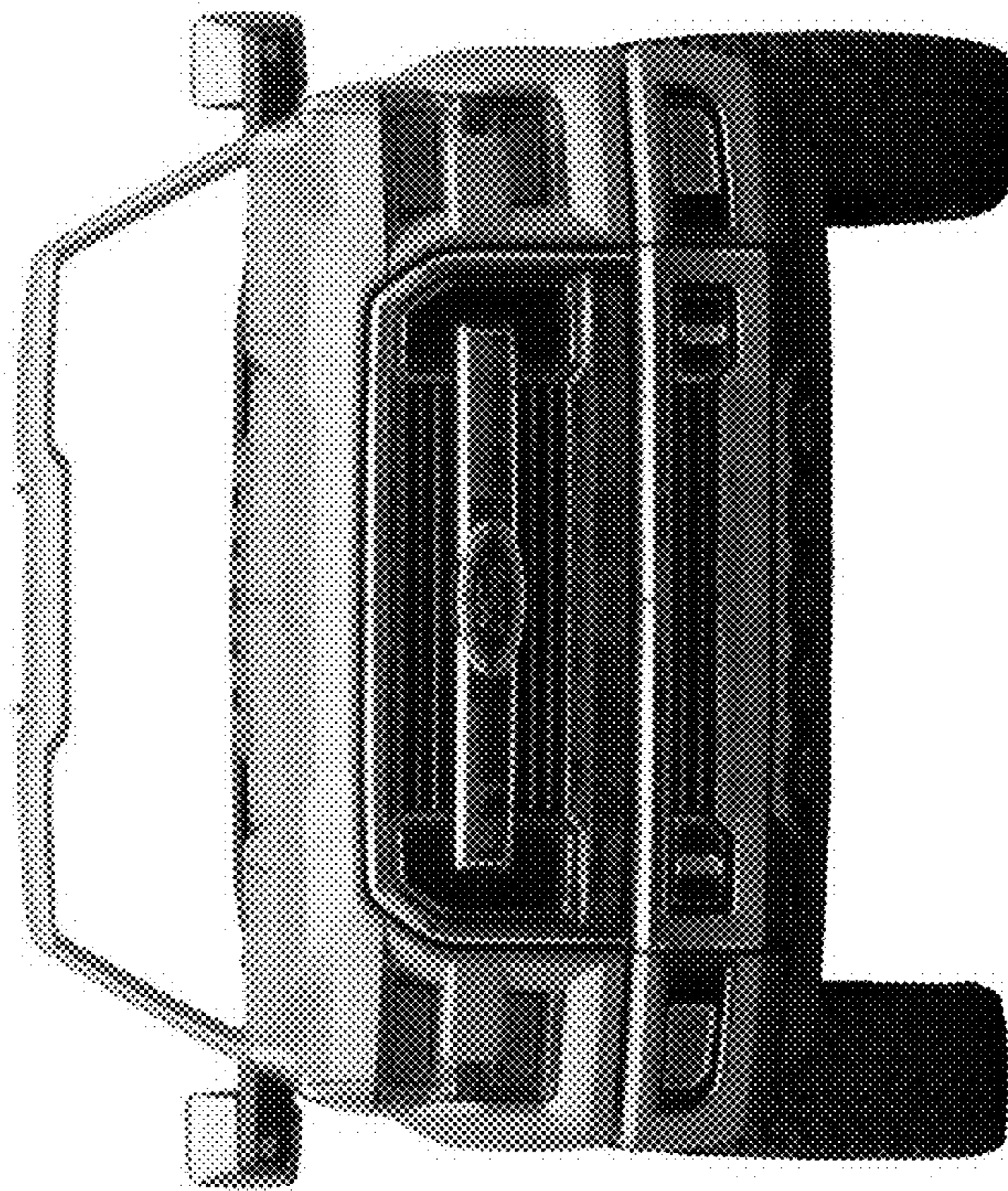


Fig 2

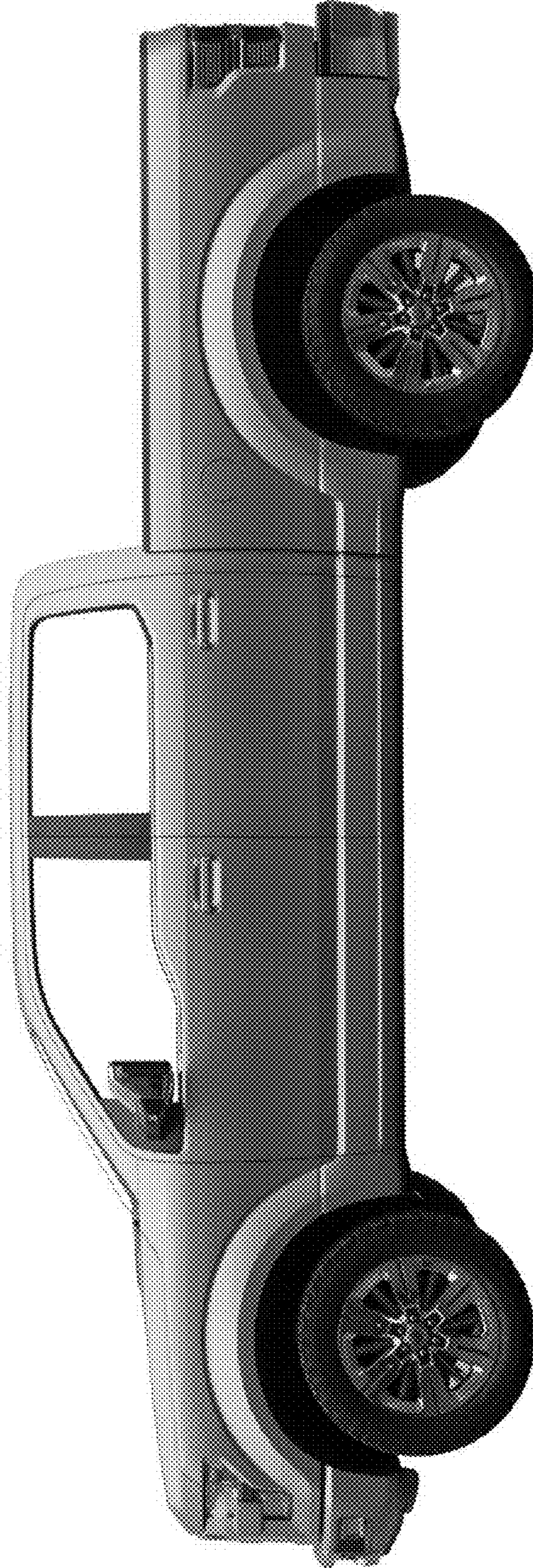


Fig 3



Fig 4

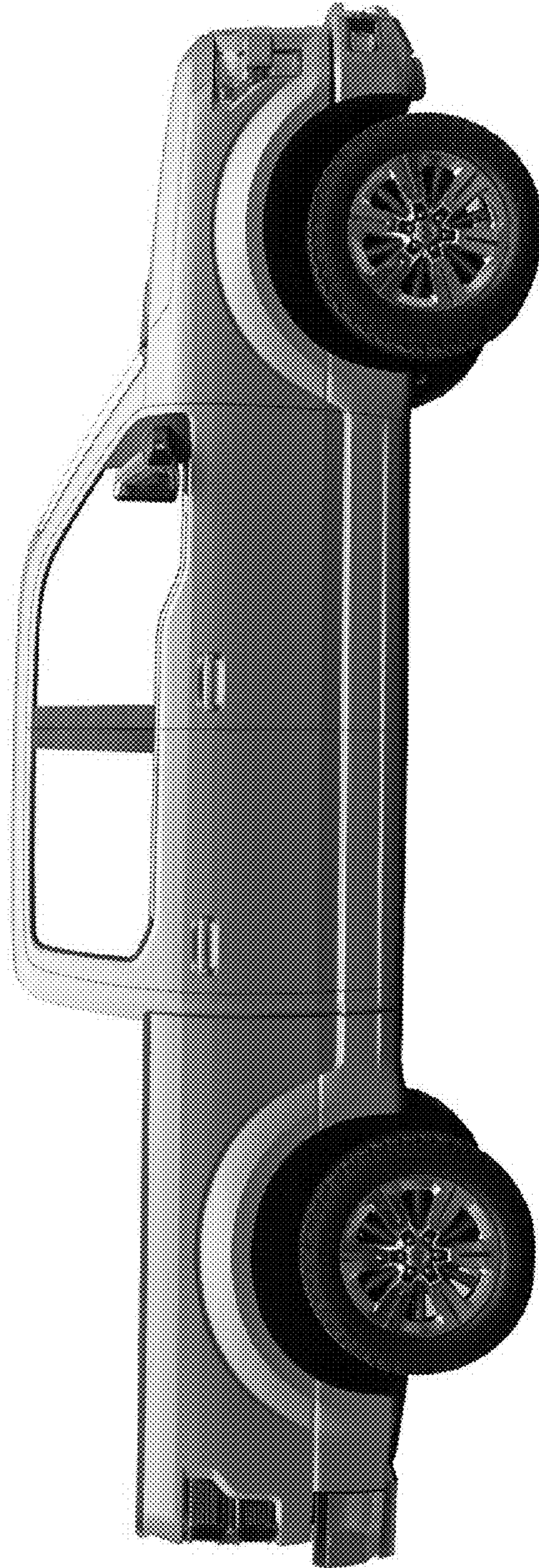


Fig 5



Fig 6



Fig 7