



US00D703584S

(12) **United States Design Patent**
Futschik et al.

(10) **Patent No.:** **US D703,584 S**
(45) **Date of Patent:** **** Apr. 29, 2014**

(54) **VEHICLE, TOY, AND/OR REPLICAS THEREOF**

(75) Inventors: **Hans-Dieter Futschik**, Stuttgart (DE); **Robert Lesnik**, Stuttgart (DE); **Gorden Wagener**, Stuttgart (DE)

(73) Assignee: **Daimler AG**, Stuttgart (DE)

(**) Term: **14 Years**

(21) Appl. No.: **29/419,073**

(22) Filed: **Apr. 25, 2012**

(30) **Foreign Application Priority Data**

Oct. 26, 2011 (DE) 402011005283

(51) **LOC (10) Cl.** **12-08**

(52) **U.S. Cl.**
USPC **D12/92**

(58) **Field of Classification Search**
USPC D12/86, 90-92, 164; D21/424, 433, D21/434; 296/181.1, 181.5
See application file for complete search history.

(56) **References Cited**

U.S. PATENT DOCUMENTS

D514,027 S 1/2006 Pfeiffer et al.
D580,826 S * 11/2008 Rhoades et al. D12/92
(Continued)

Primary Examiner — Melody N Brown

(74) *Attorney, Agent, or Firm* — Crowell & Moring LLP

(57) **CLAIM**

The ornamental design for a vehicle, toy, and/or replicas thereof, as shown and described.

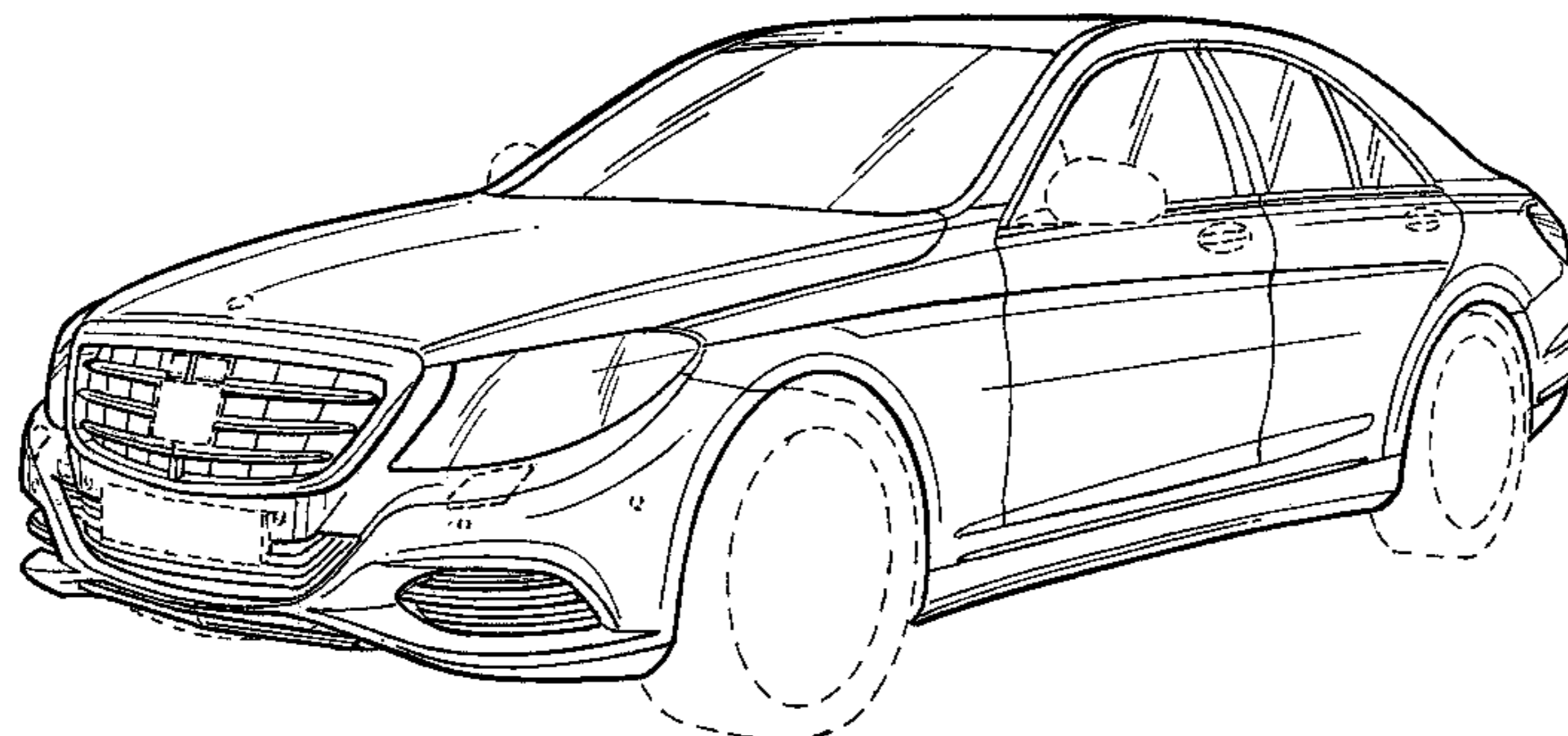
DESCRIPTION

This application contains subject matter related to the following co-pending U.S. design patent applications:

Application Ser. No. 29/419,074, filed herewith and entitled “Front Portion of a Vehicle, Toy, and/or Replicas Thereof”; Application Ser. No. 29/419,075, filed herewith and entitled “Front Portion of a Vehicle, Toy, and/or Replicas Thereof”; Application Ser. No. 29/419,076, filed herewith and entitled “Rear Portion of a Vehicle, Toy, and/or Replicas Thereof”; Application Ser. No. 29/419,078, filed herewith and entitled “Rear Portion of a Vehicle, Toy, and/or Replicas Thereof”; Application Ser. No. 29/419,079, filed herewith and entitled “Headlight for a Vehicle”; Application Ser. No. 29/419,080, filed herewith and entitled “Headlight for a Vehicle”; Application Ser. No. 29/419,081, filed herewith and entitled “Headlight for a Vehicle”; Application Ser. No. 29/419,082, filed herewith and entitled “Taillight for a Vehicle”; Application Ser. No. 29/419,083, filed herewith and entitled “Taillight for a Vehicle”; Application Ser. No. 29/419,084, filed herewith and entitled “Front Bumper for a Vehicle”; Application Ser. No. 29/419,085, filed herewith and entitled “Rear Bumper for a Vehicle”; Application Ser. No. 29/419,086, filed herewith and entitled “Front Fender for a Vehicle”; Application Ser. No. 29/419,087, filed herewith and entitled “Radiator Grill for a Vehicle”; Application Ser. No. 29/419,088, filed herewith and entitled “Radiator Grill for a Vehicle”; Application Ser. No. 29/419,089, filed herewith and entitled “Hood for a Vehicle”; and Application Ser. No. 29/419,090, filed herewith and entitled “Trunk Lid for a Vehicle”.

FIG. 1 is a left, front perspective view of a vehicle, toy, and/or replicas thereof according to our design; FIG. 2 is a left, rear perspective view thereof; FIG. 3 is a left side view thereof; FIG. 4 is a right side view thereof; FIG. 5 is a front view thereof; FIG. 6 is a rear view thereof; and, FIG. 7 is a top view thereof.
The broken lines are for illustrative purposes only and form no part of the claimed design.

1 Claim, 6 Drawing Sheets



US D703,584 S

Page 2

(56)

References Cited

U.S. PATENT DOCUMENTS

D596,079 S *	7/2009	Pfeiffer et al.	D12/92
D635,059 S *	3/2011	Futschik et al.	D12/92
D635,893 S *	4/2011	Baur et al.	D12/92

D596,078 S * 7/2009 Pfeiffer et al. D12/92 * cited by examiner

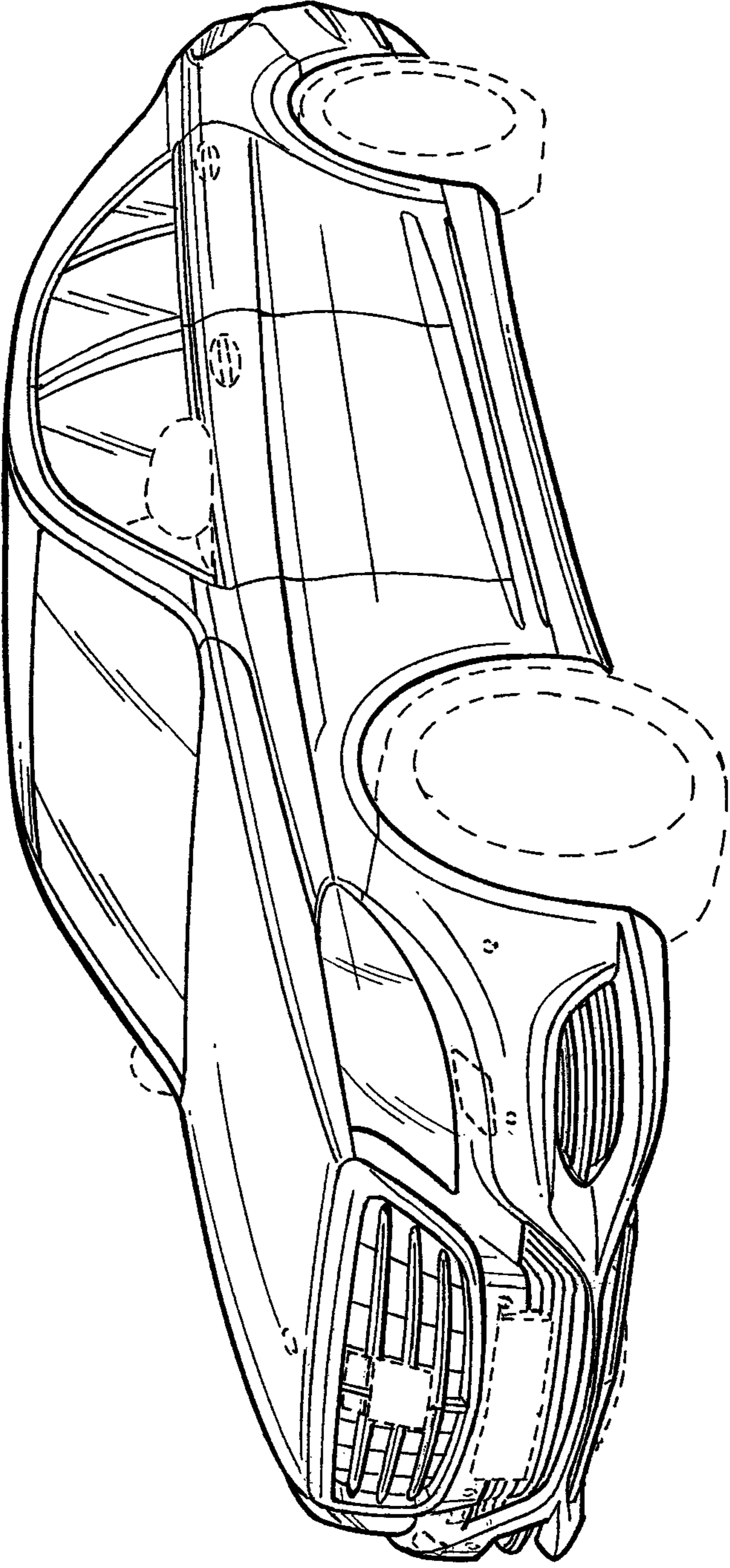


FIG. 1

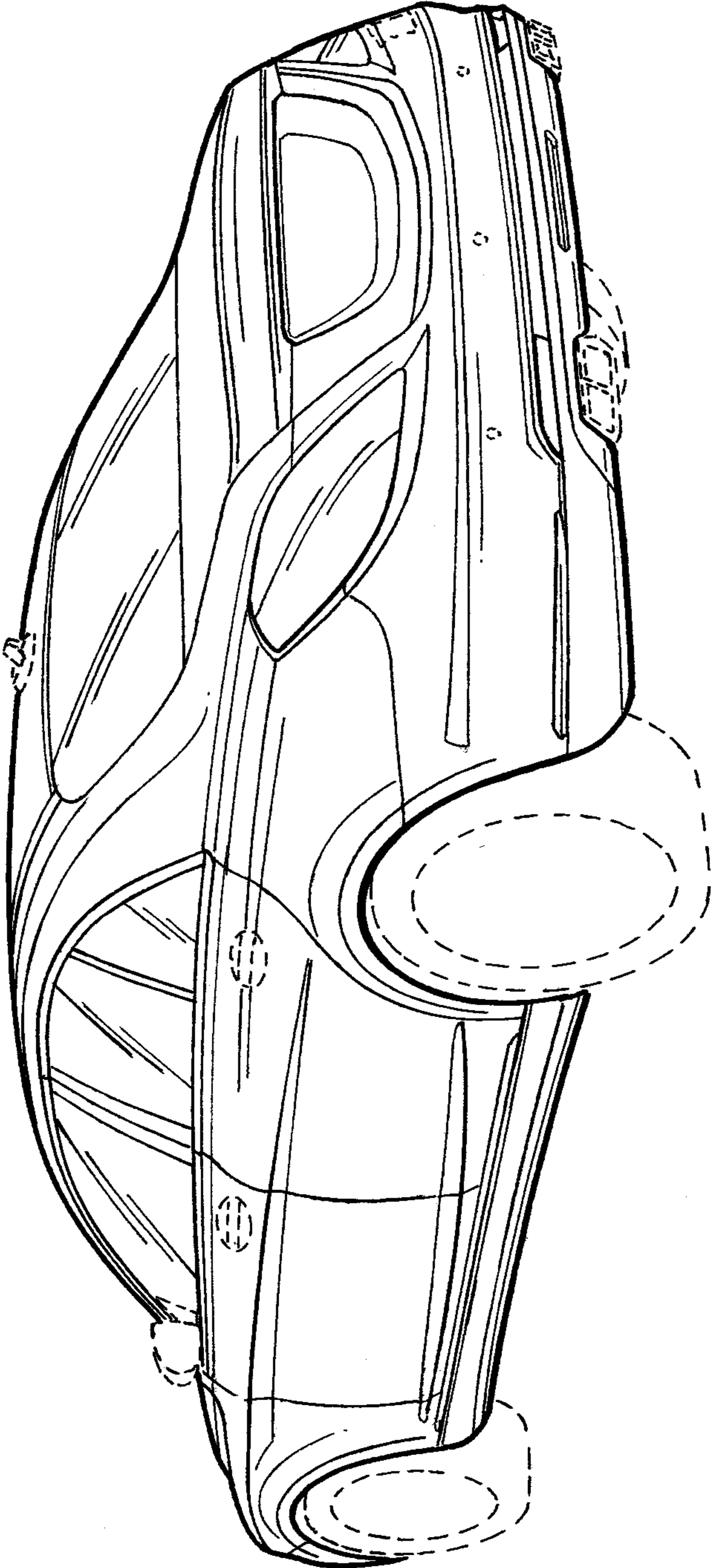


FIG. 2

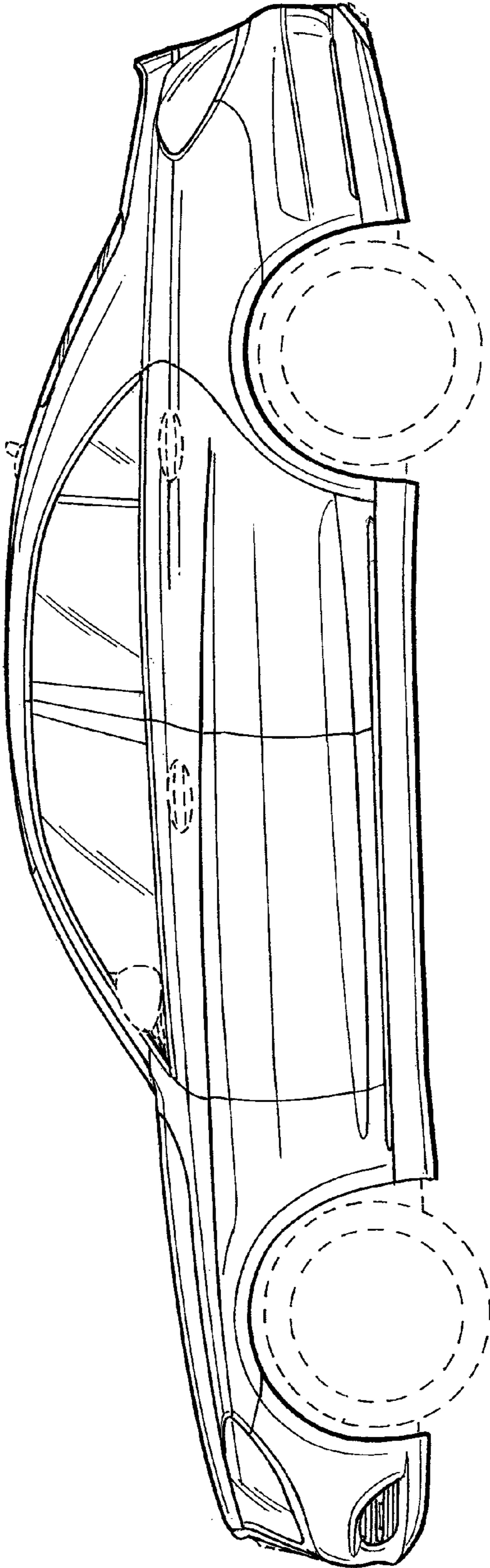


FIG. 3

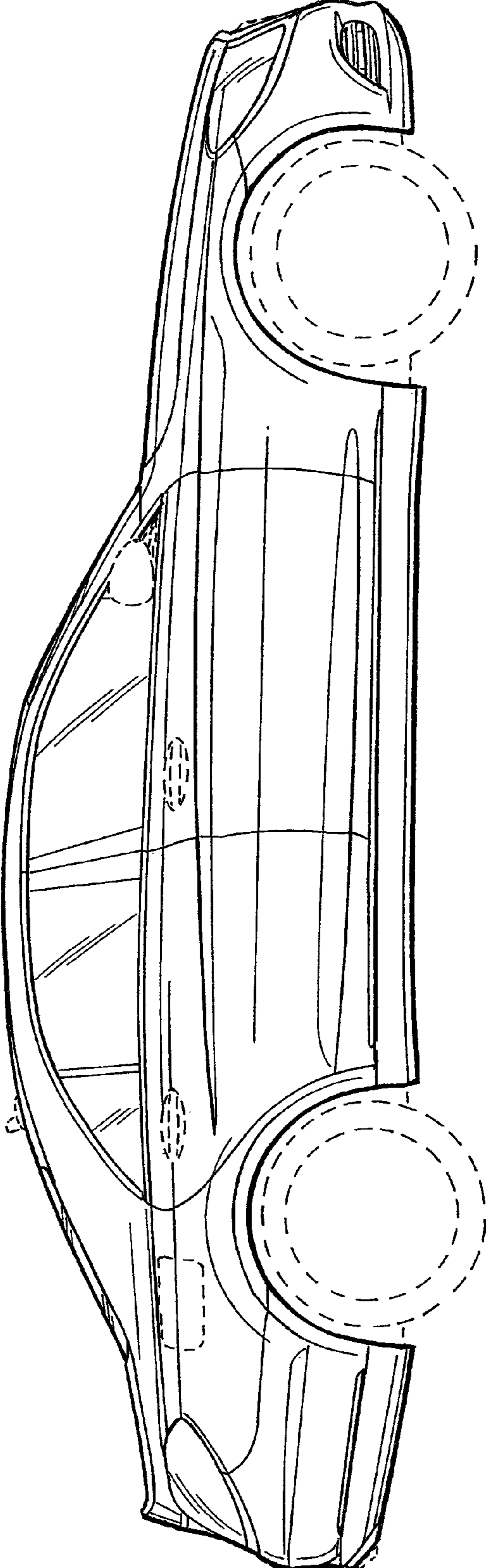


FIG. 4

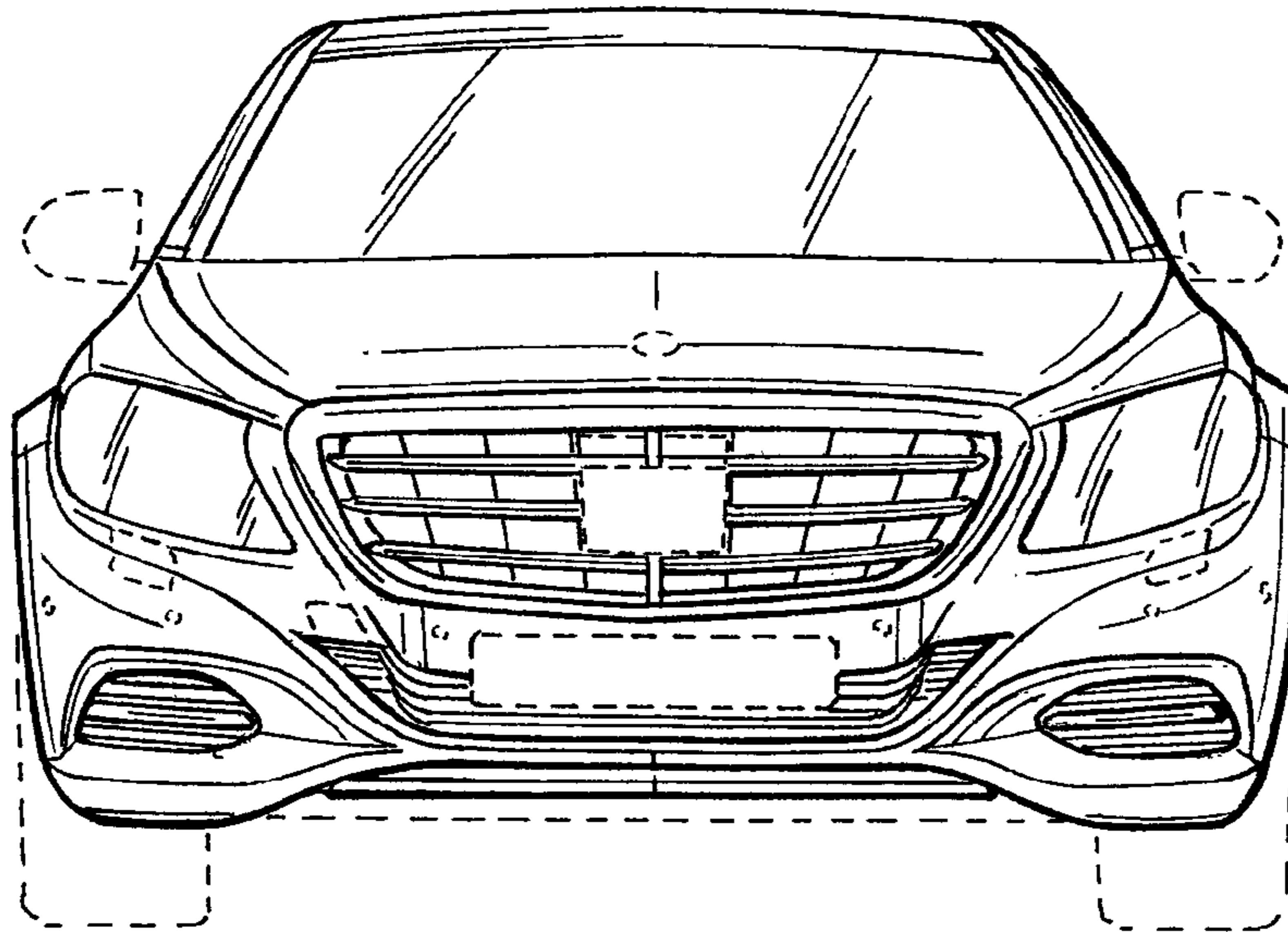


FIG. 5

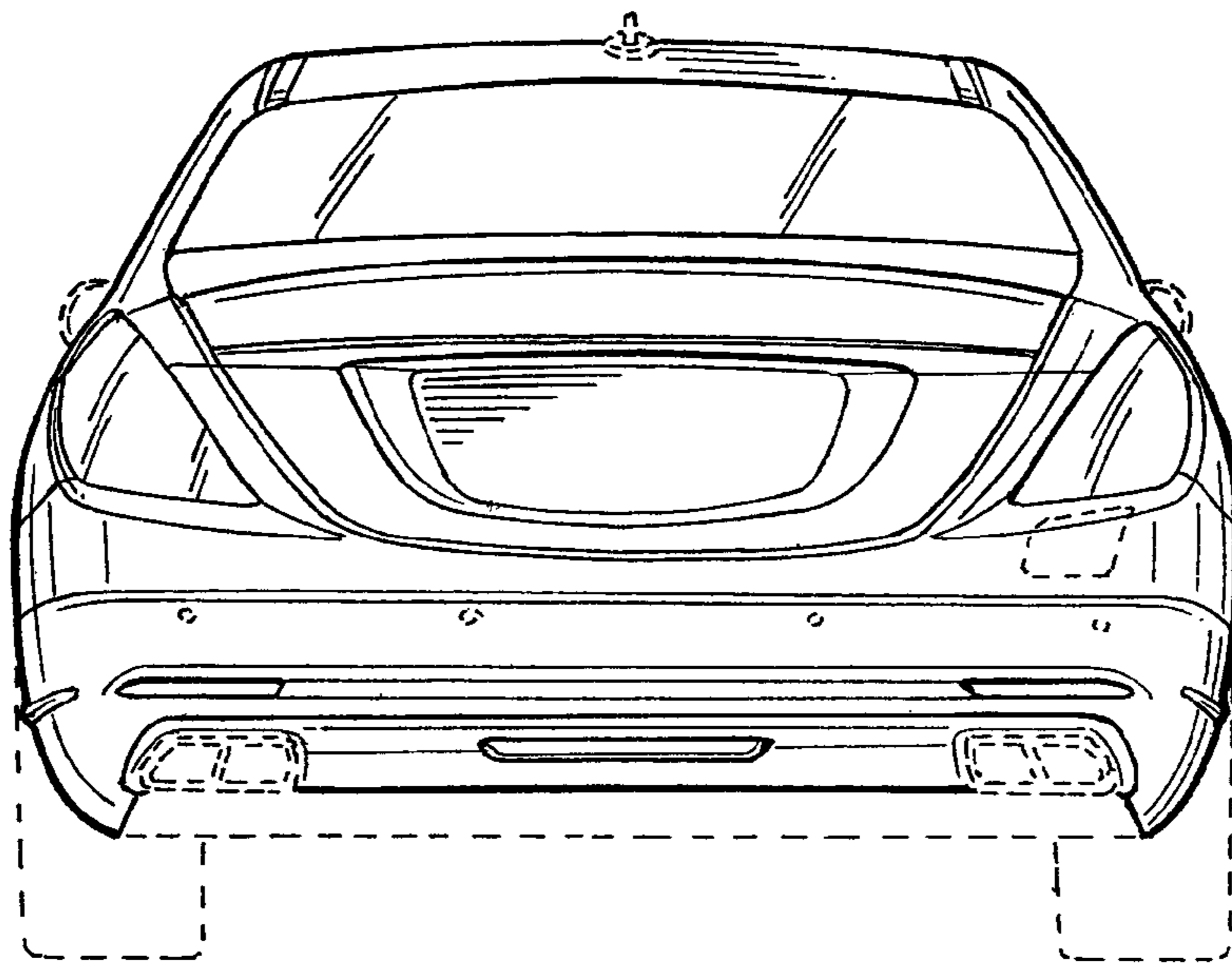


FIG. 6

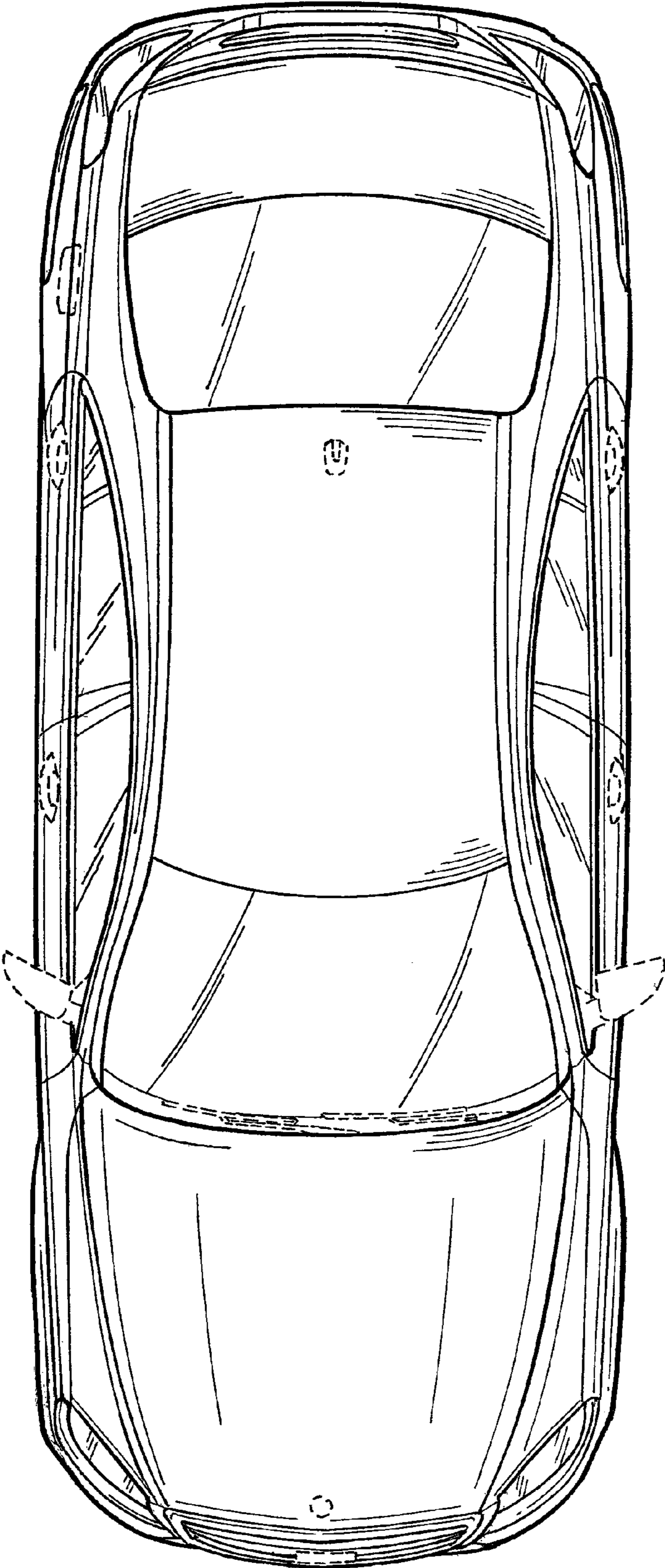


FIG. 7