



US00D703582S

(12) **United States Design Patent**  
**Oren**

(10) **Patent No.:** **US D703,582 S**

(45) **Date of Patent:** **\*\* Apr. 29, 2014**

(54) **TRAIN CAR FOR PROPPANT CONTAINERS**

(71) Applicant: **Joshua Oren**, Houston, TX (US)

(72) Inventor: **Joshua Oren**, Houston, TX (US)

(\*\*) Term: **14 Years**

(21) Appl. No.: **29/455,204**

(22) Filed: **May 17, 2013**

(51) **LOC (10) Cl.** ..... **12-03**

(52) **U.S. Cl.**  
USPC ..... **D12/42**

(58) **Field of Classification Search**  
USPC ..... D12/36, 37, 38, 39, 40, 41, 42, 43, 44,  
D12/45, 46, 47, 48, 49, 50, 51, 101, 106;  
105/238.1, 404, 396, 413, 355  
See application file for complete search history.

(56) **References Cited**

U.S. PATENT DOCUMENTS

3,879,050	A *	4/1975	Young	.....	414/540
D263,942	S *	4/1982	Francis	.....	D12/36
5,191,842	A *	3/1993	Tinkler	.....	105/355
6,543,368	B1 *	4/2003	Forbes	.....	105/396
6,668,496	B1 *	12/2003	Clapp et al.	.....	52/79.1
7,228,805	B2 *	6/2007	Beers et al.	.....	105/423

7,478,600	B2 *	1/2009	Beers et al.	.....	105/423
D649,912	S *	12/2011	Chen	.....	D12/101
D688,597	S *	8/2013	Oren	.....	D12/101
D694,670	S *	12/2013	Oren	.....	D12/101
2005/0178285	A1 *	8/2005	Beers et al.	.....	105/404
2007/0234927	A1 *	10/2007	Beers et al.	.....	105/404

\* cited by examiner

*Primary Examiner* — T. Chase Nelson

*Assistant Examiner* — Ania Aman

(74) *Attorney, Agent, or Firm* — Egbert Law Offices, PLLC

(57) **CLAIM**

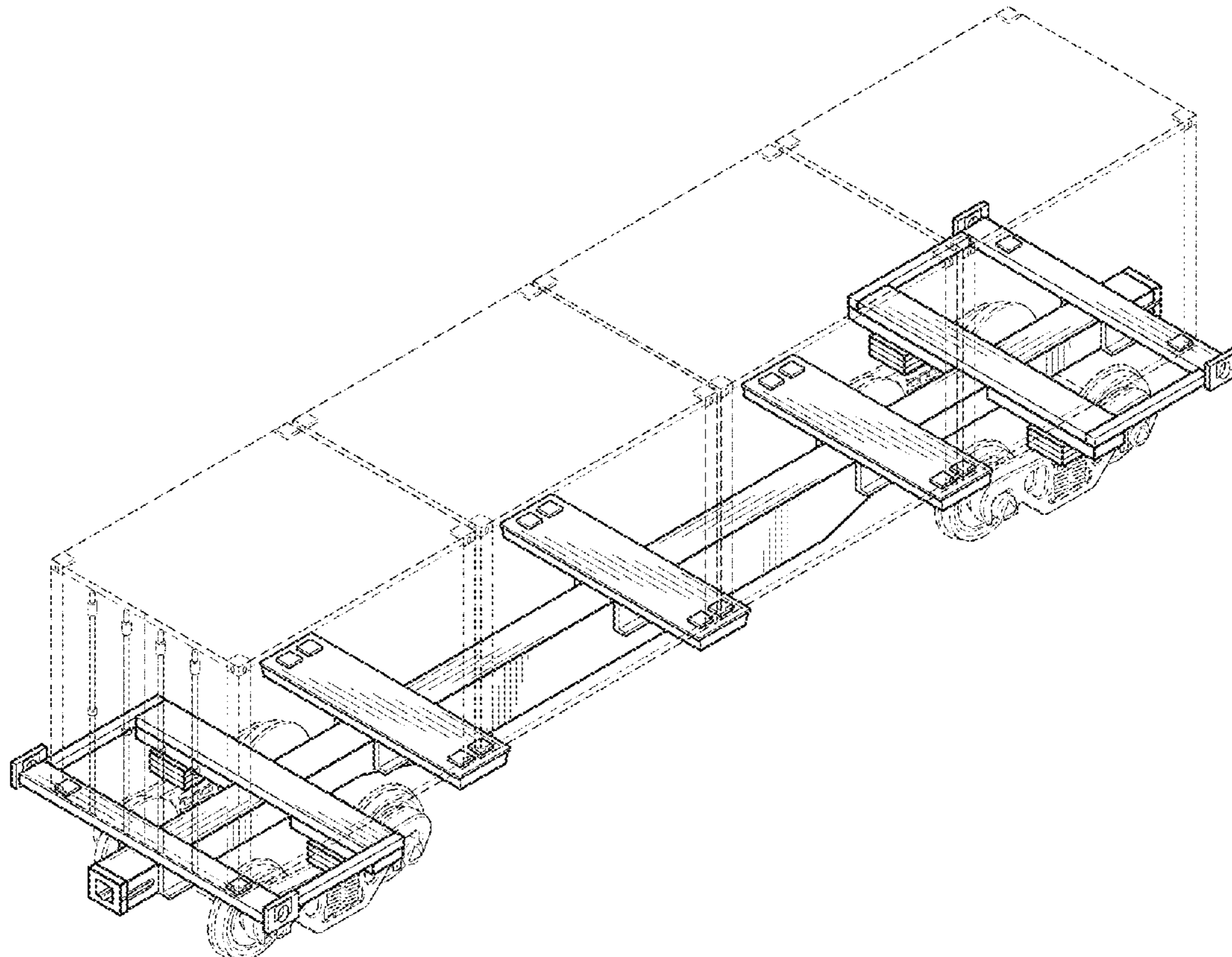
The ornamental design for a train car for proppant containers, as shown and described.

**DESCRIPTION**

FIG. 1 is an upper perspective view of the train car for proppant containers showing my new design. FIG. 2 is a side elevation view thereof; FIG. 3 is an opposite side elevation view thereof; FIG. 4 is a front elevation view thereof; FIG. 5 is a rear elevation view thereof; FIG. 6 is a top plan view thereof; and, FIG. 7 is a bottom plan view thereof.

The features presented in broken lines are for environmental purposes only and form no part of the claimed design.

**1 Claim, 3 Drawing Sheets**



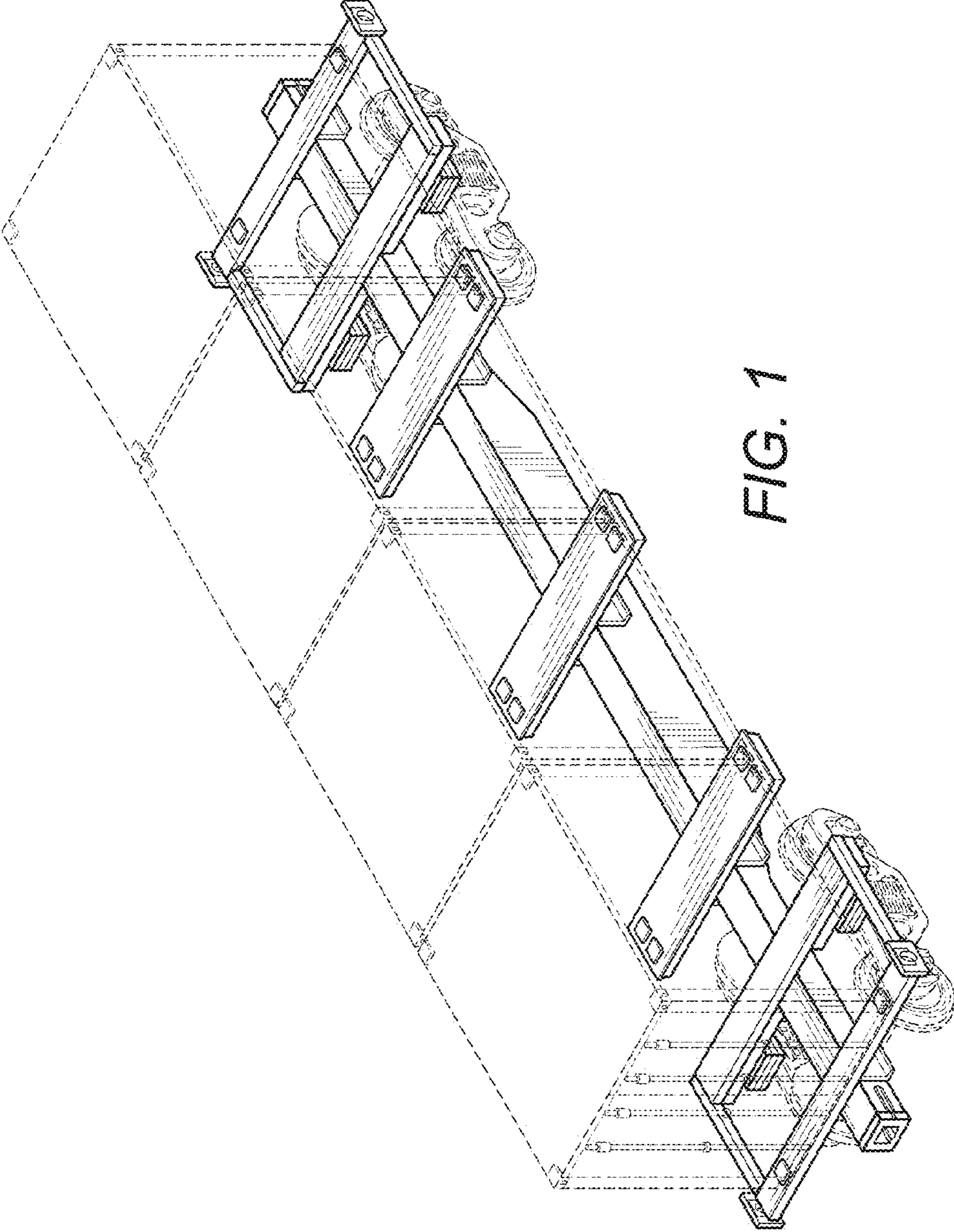


FIG. 1

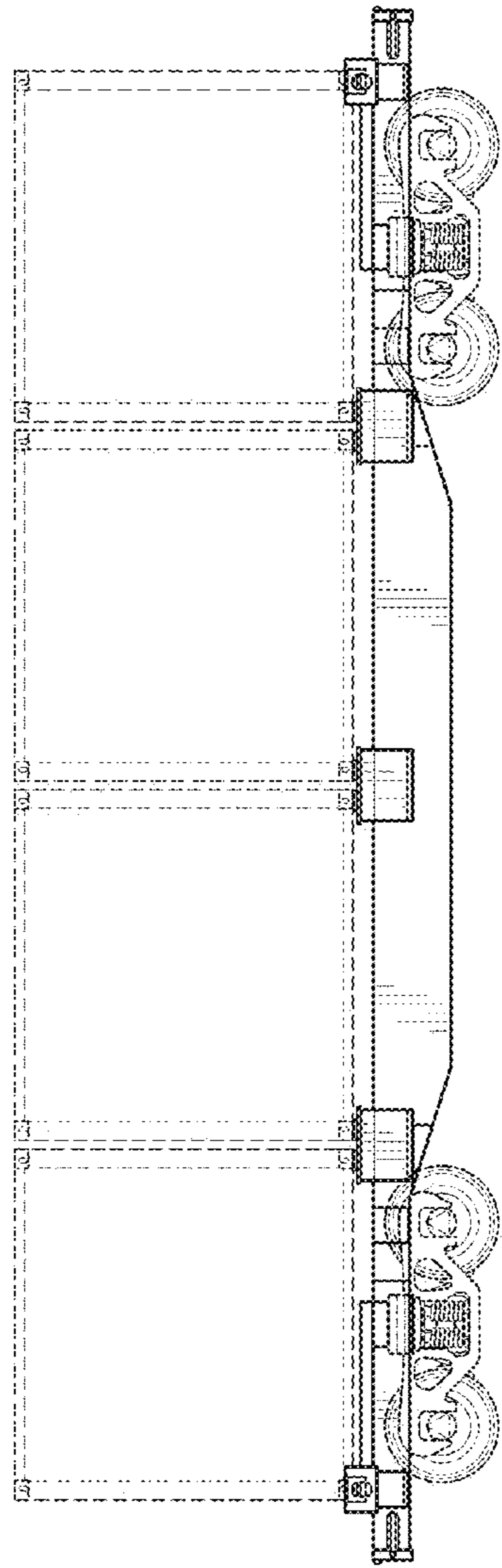


FIG. 2

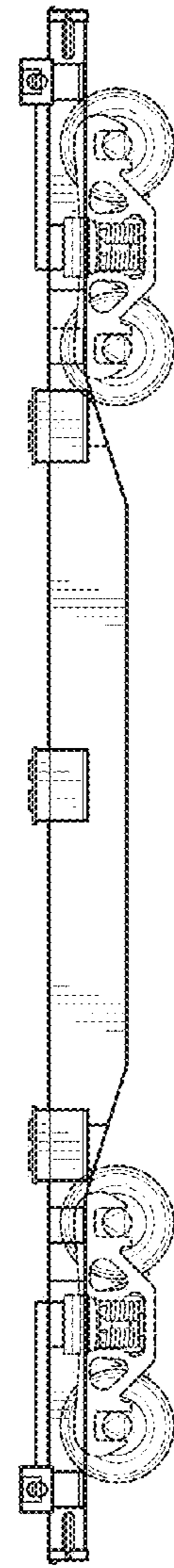


FIG. 3

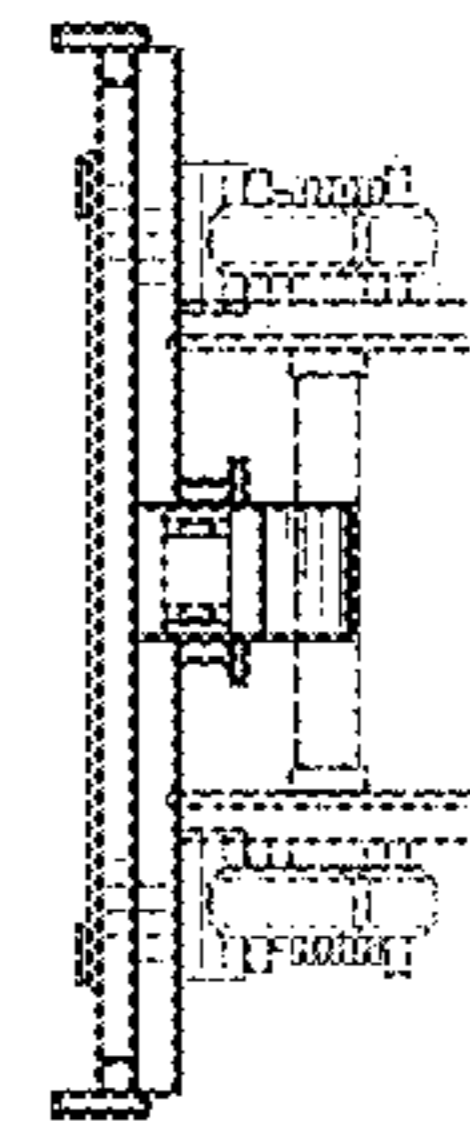


FIG. 5

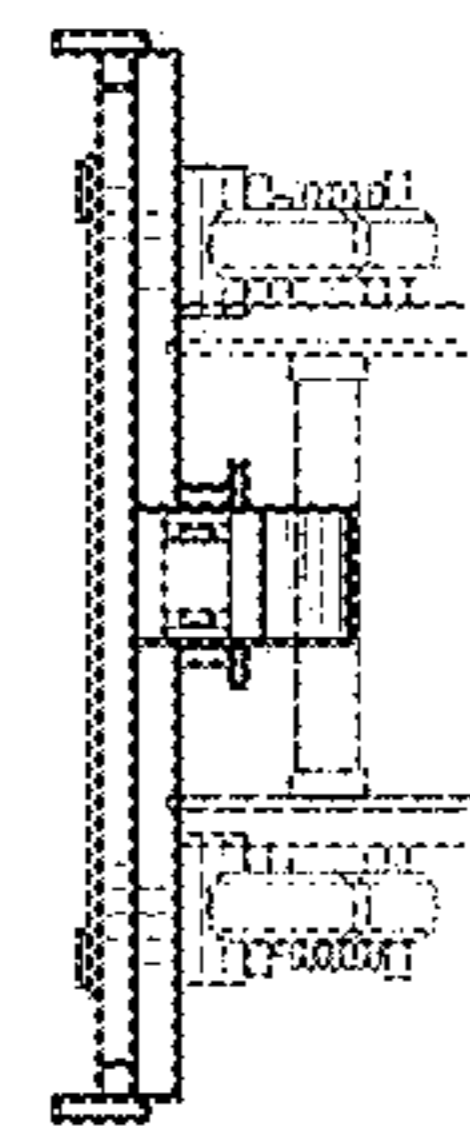


FIG. 4



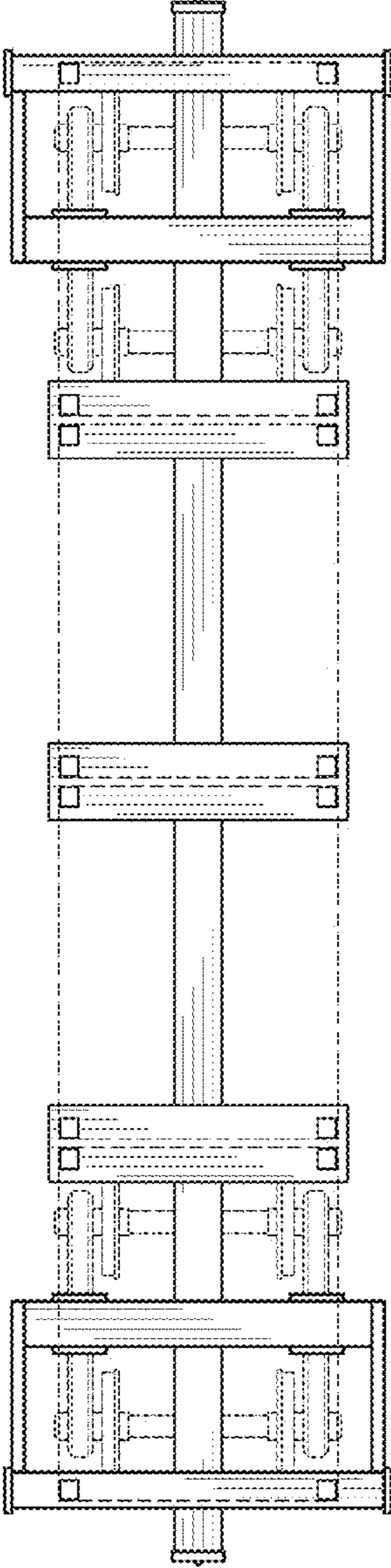


FIG. 6

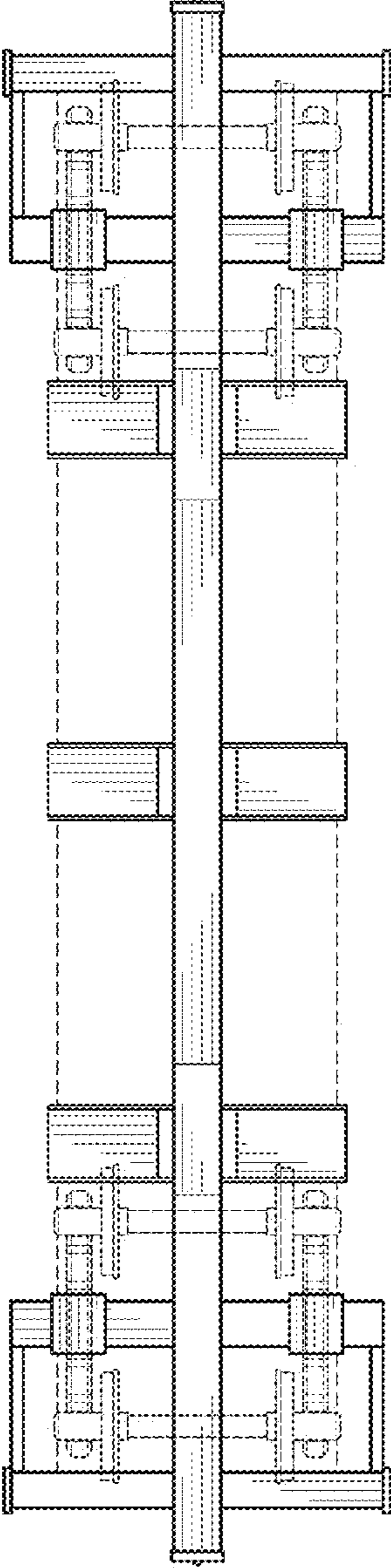


FIG. 7