



US00D703581S

(12) **United States Design Patent**
Kelleghan

(10) **Patent No.:** **US D703,581 S**

(45) **Date of Patent:** **** Apr. 29, 2014**

(54) **BUCKLE**

D625,656 S * 10/2010 Kosh et al. D11/216
D637,478 S 5/2011 Kalbach
D683,654 S * 6/2013 Andren et al. D11/216

(71) Applicant: **Bison Designs, LLC**, Longmont, CO
(US)

OTHER PUBLICATIONS

(72) Inventor: **Brian James Kelleghan**, Longmont, CO
(US)

T Lock Scan of website [http://bisondesigns.com/T Lock 38mm]
showing prior art buckle sold by Bison Designs.

(73) Assignee: **Bison Designs, LLC**, Longmont, CO
(US)

* cited by examiner

(**) Term: **14 Years**

Primary Examiner — Ralf Seifert

(21) Appl. No.: **29/461,737**

(74) *Attorney, Agent, or Firm* — Margaret Polson; Oppedahl
Patent Law Firm LLC

(22) Filed: **Jul. 26, 2013**

(57) **CLAIM**

The ornamental design for buckle, as shown and described.

(51) **LOC (10) Cl.** **02-07**

DESCRIPTION

(52) **U.S. Cl.**
USPC **D11/216**

(58) **Field of Classification Search**
USPC D11/1–2, 200–201, 206–210, 214–218;
24/163 R, 169–171, 173, 177–179, 191,
24/194–195, 197, 200, 614–616, 625, 198
See application file for complete search history.

FIG. 1 is a front side elevation view of my new design for a
buckle.

FIG. 2 is a back side elevation view of FIG. 1.

FIG. 3 is a right side elevation view of FIG. 1, the left side
elevation view being a mirror image thereof.

FIG. 4 is a top side plan view of FIG. 1.

FIG. 5 is a bottom side plan view of FIG. 1.

FIG. 6 is a front perspective view of FIG. 1.

FIG. 7 is a right side elevation view, the only difference being
the lever is in an open position, it being understood that all
other surfaces are the same.

FIG. 8 is a right side elevation view, the only difference being
the lever is in an open position, it being understood that all
other surfaces are the same; and,

FIG. 9 is a bottom side perspective view, the only difference
being the lever is in an open position, it being understood that
all other surfaces are the same.

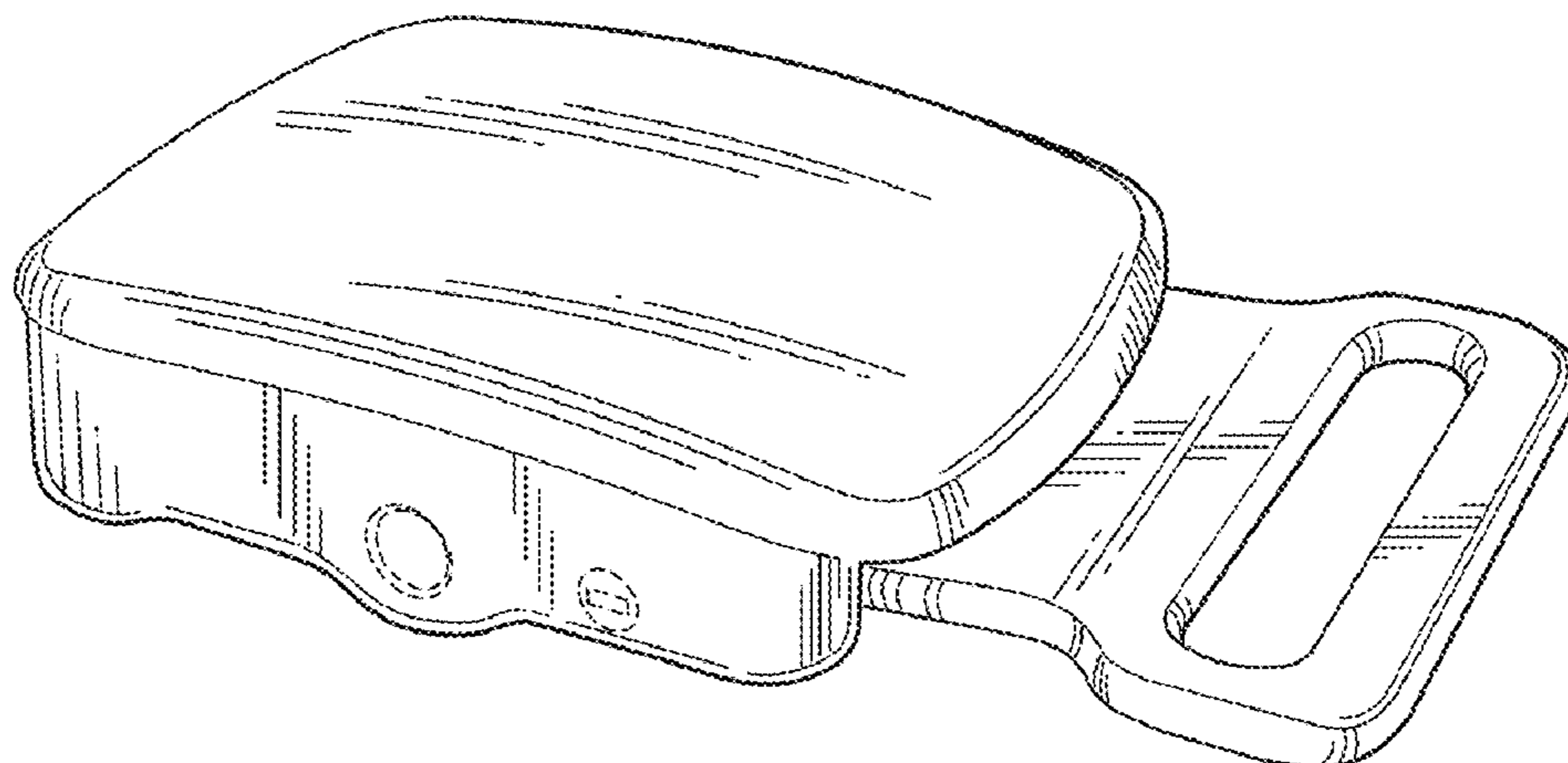
The features shown in broken lines in the drawing depict
environmental subject matter only and form no part of the
claimed design.

(56) **References Cited**

U.S. PATENT DOCUMENTS

2,078,651	A	*	4/1937	Crocker, Jr.	24/180
D117,111	S	*	10/1939	Palko	D11/216
2,998,626	A		9/1961	Prete, Jr.		
3,390,436	A		7/1968	Prete, Jr.		
4,300,269	A		11/1981	Boden		
D302,140	S		7/1989	Johnston		
4,843,688	A		7/1989	Ikeda		
D327,455	S		6/1992	Blair		
D332,433	S	*	1/1993	Bougher	D11/216
D360,168	S		7/1995	Kelleghan		
5,572,771	A		11/1996	Kelleghan		
D484,071	S		12/2003	Kelleghan		
6,877,189	B2		4/2005	Simonson et al.		
D603,753	S	*	11/2009	Palmer et al.	D11/216

1 Claim, 2 Drawing Sheets



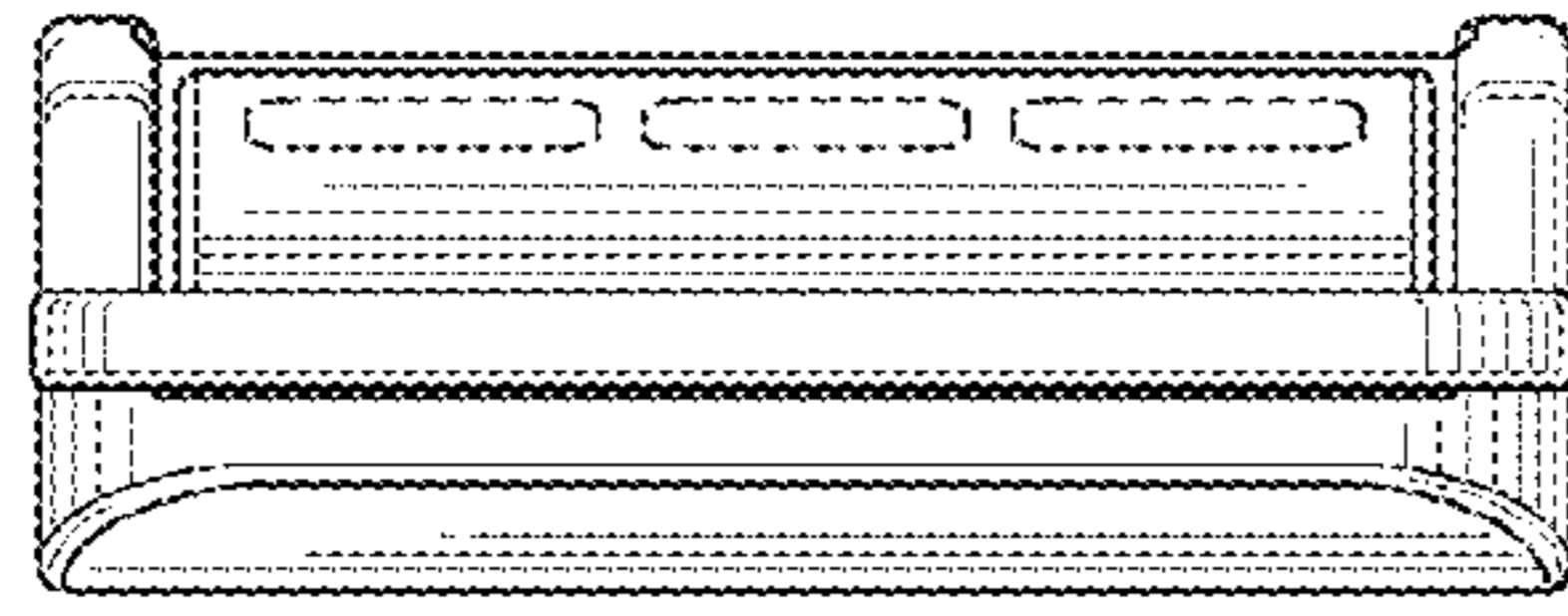


FIG. 4

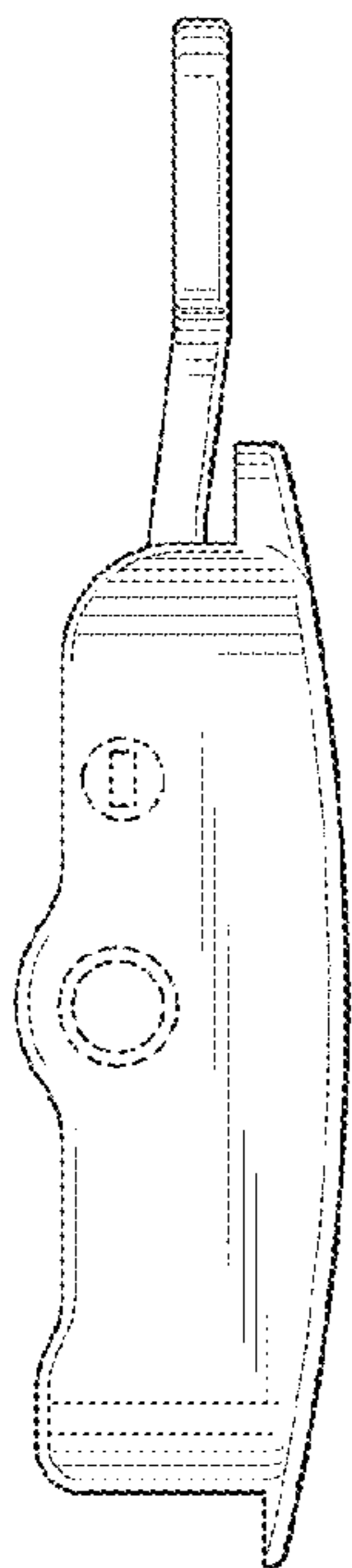


FIG. 3

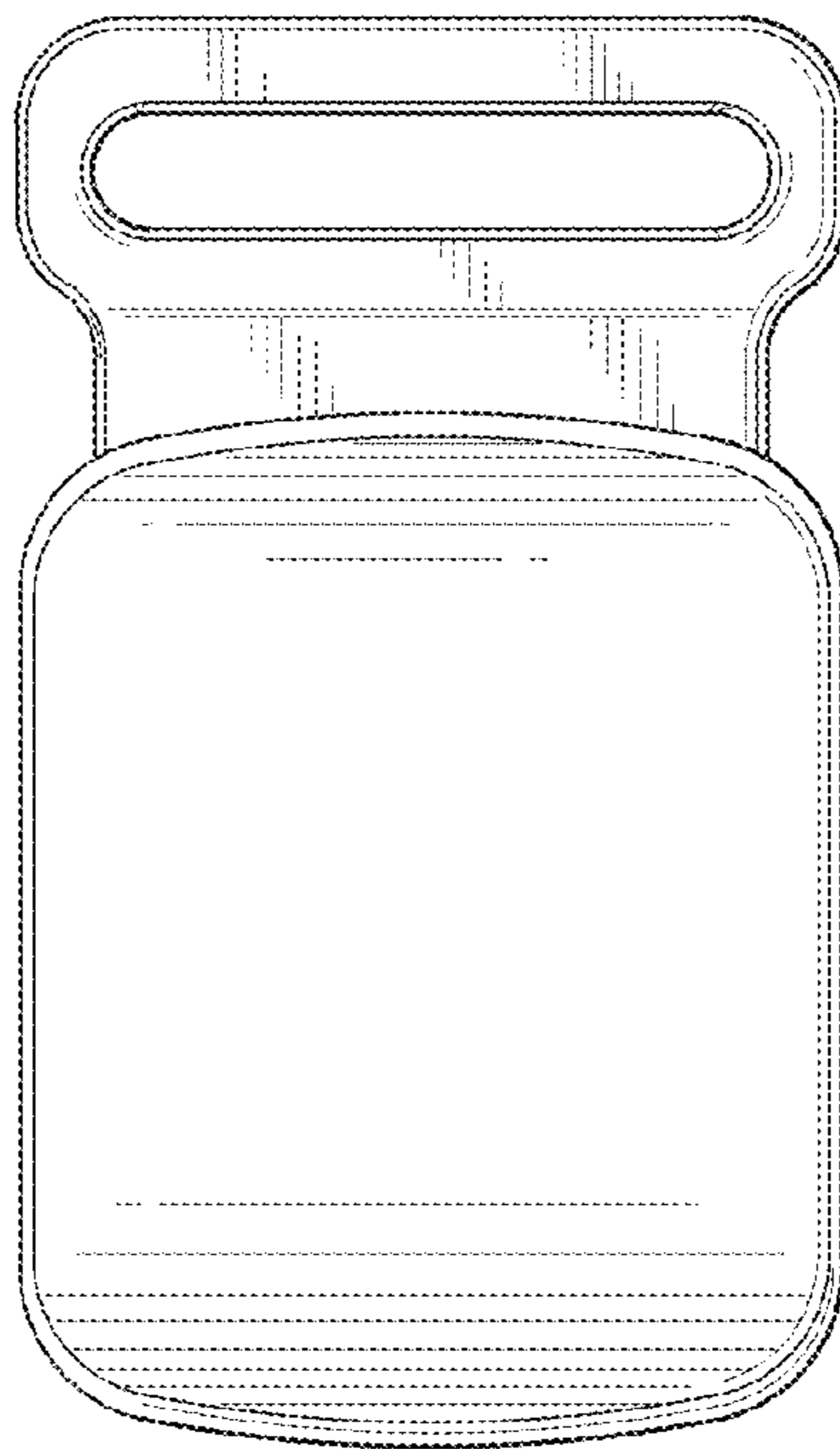


FIG. 1

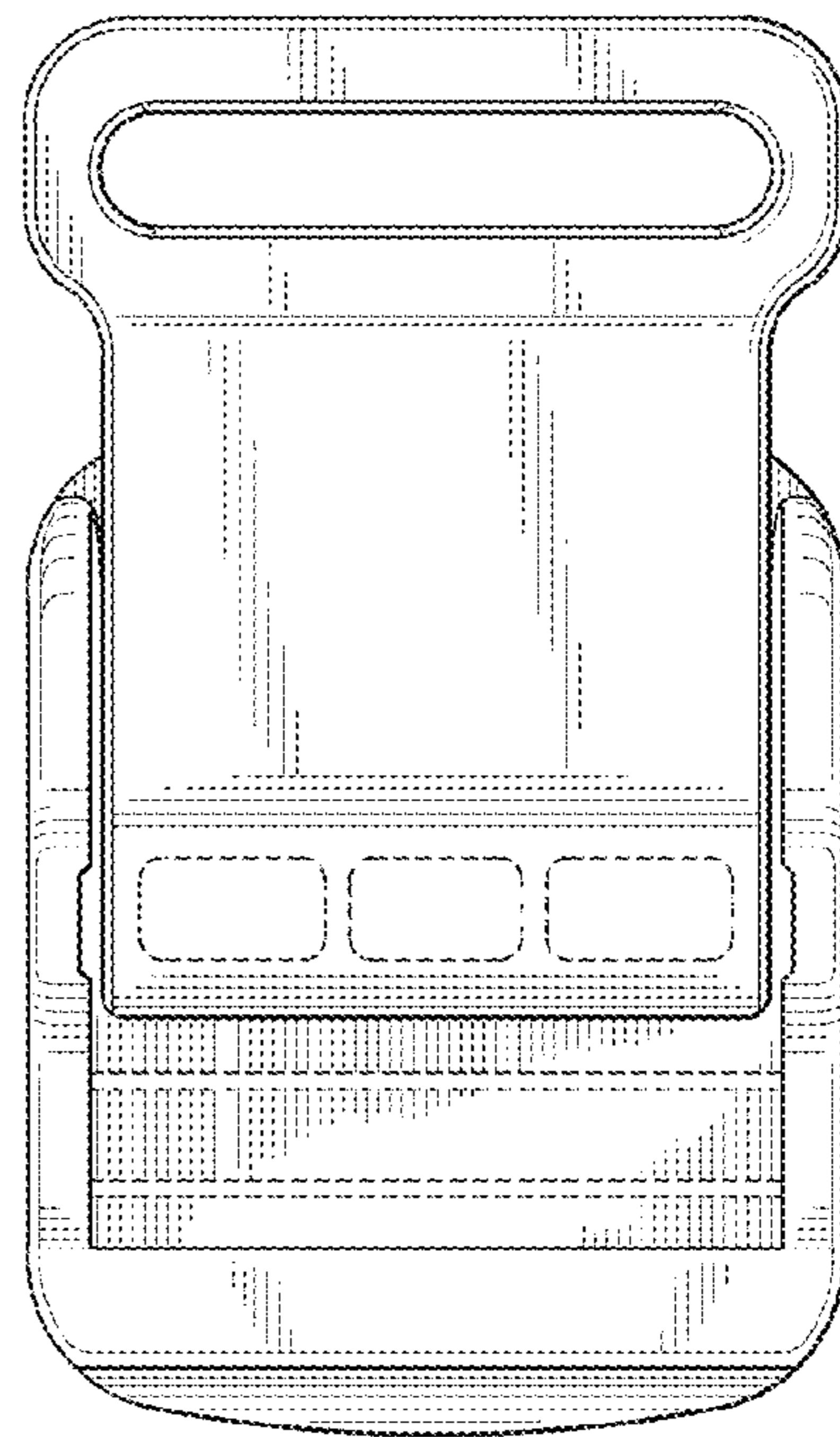


FIG. 2

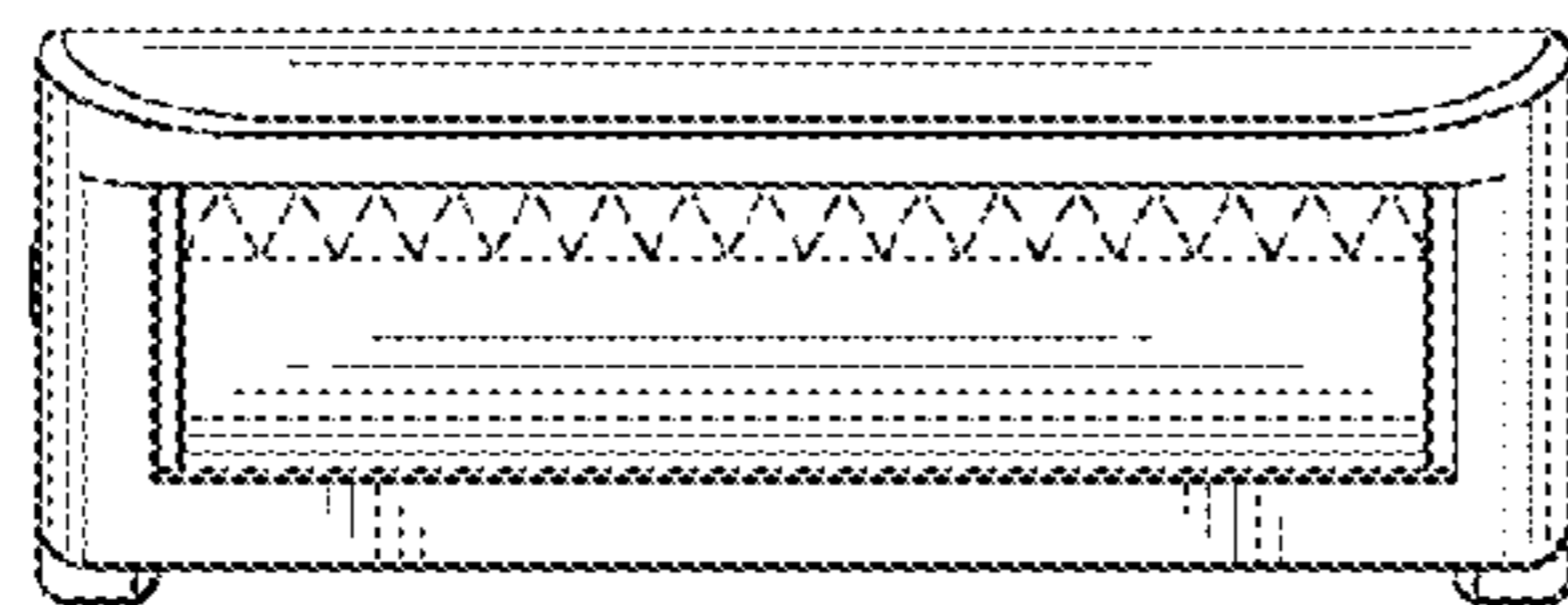


FIG. 5

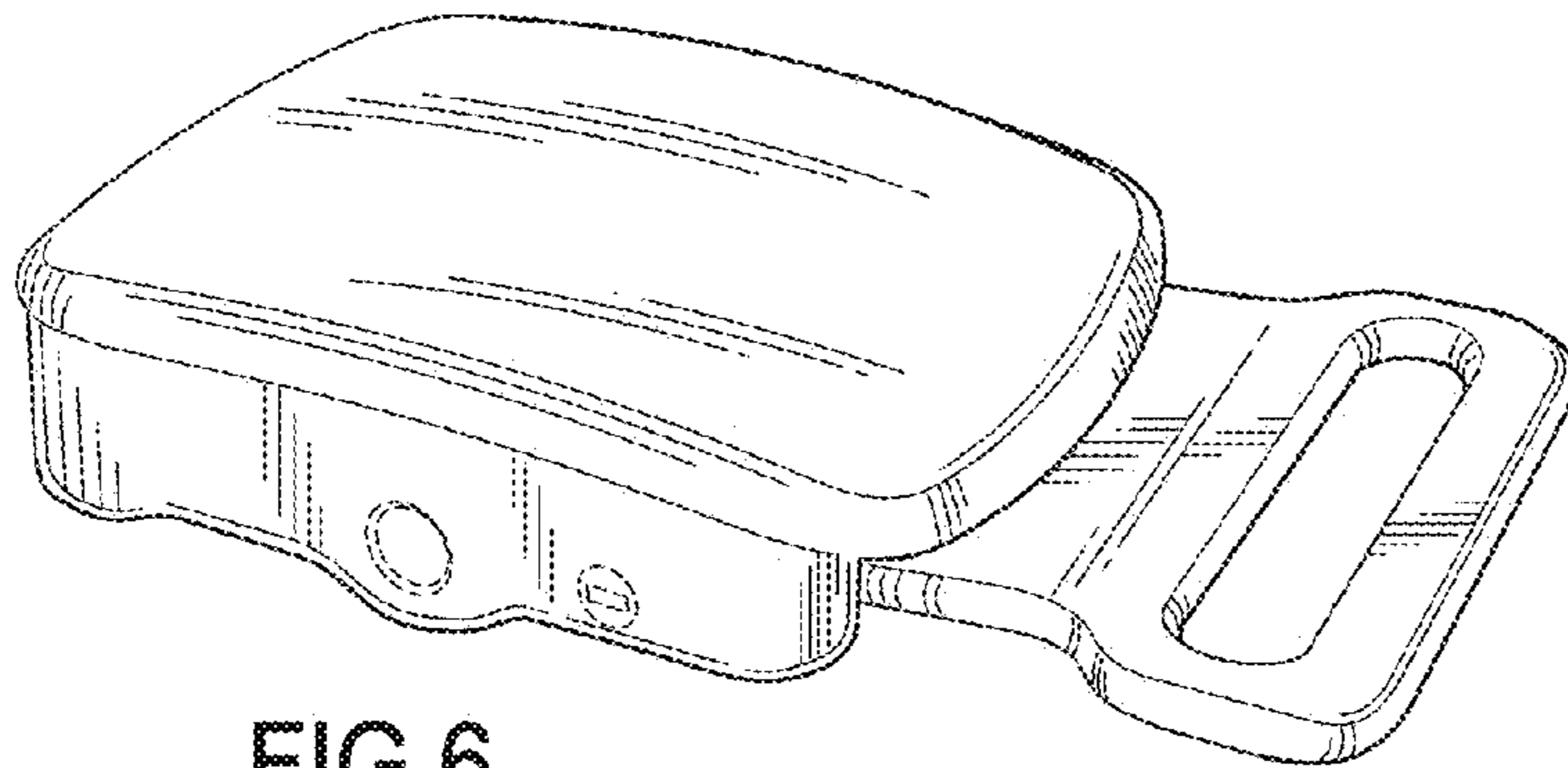


FIG. 6

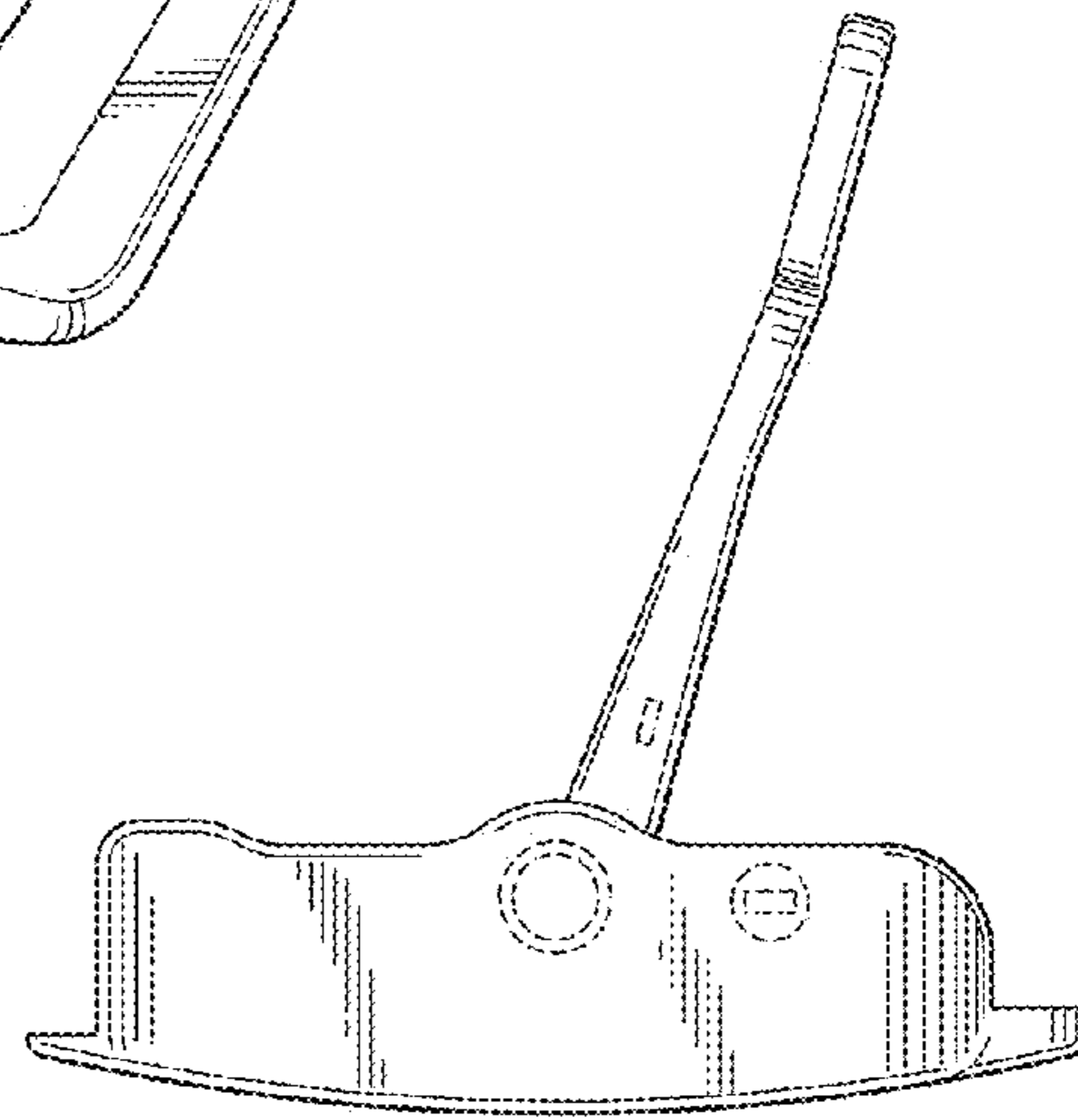


FIG. 7

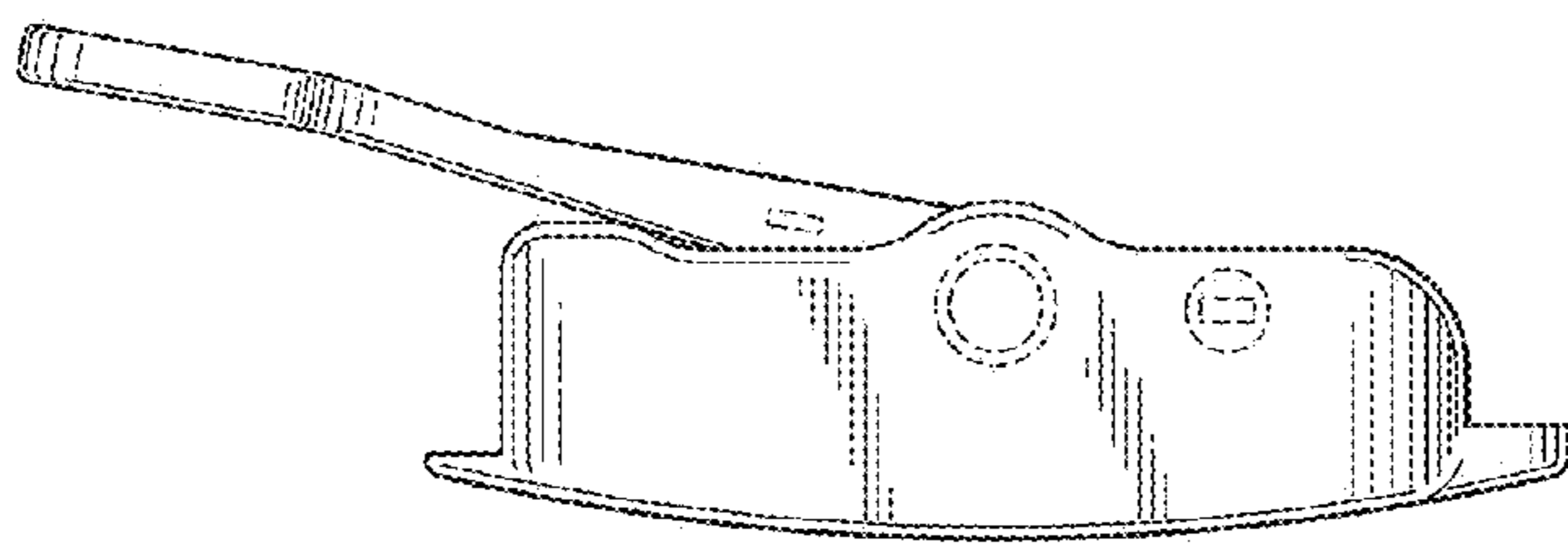


FIG. 8

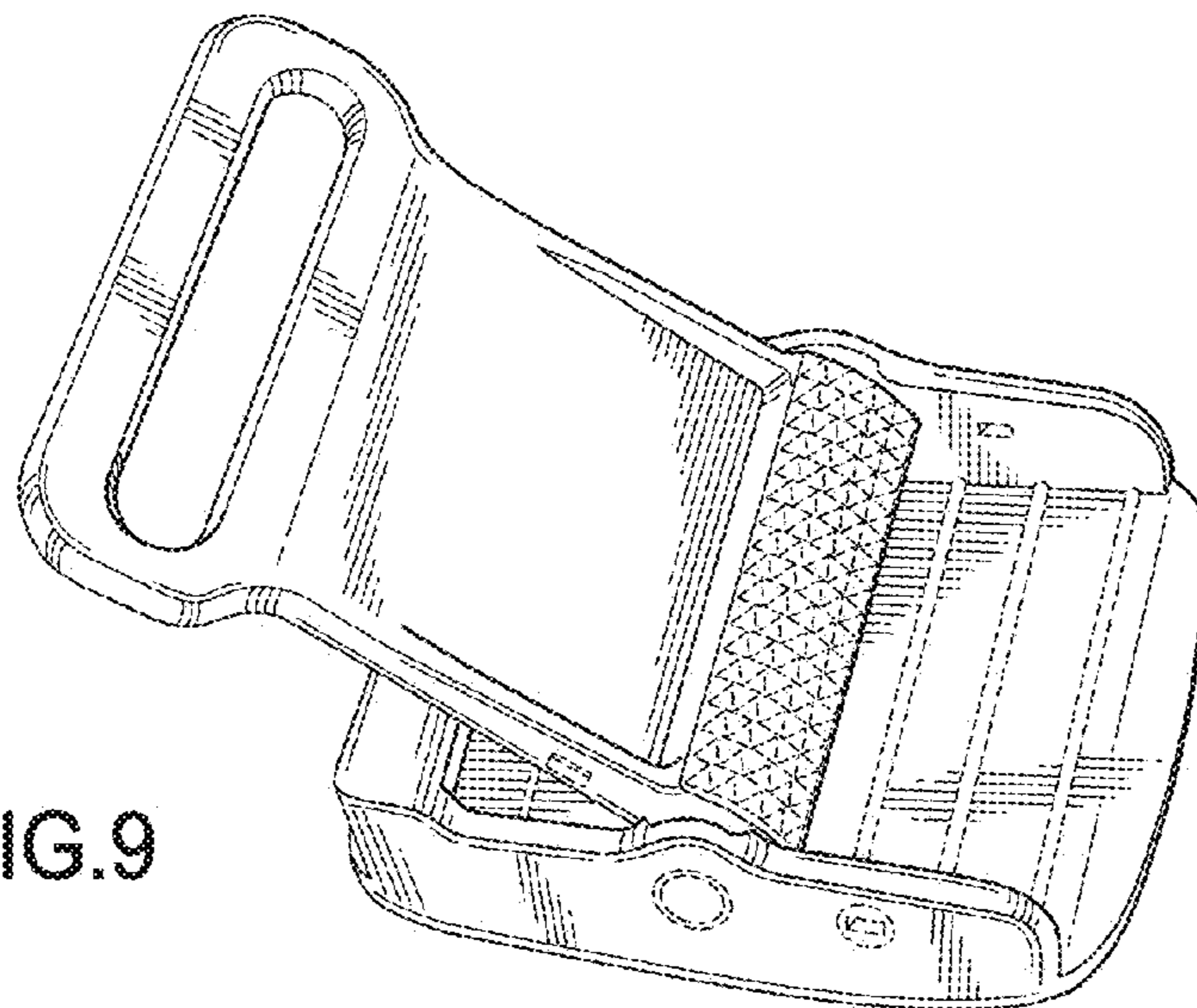


FIG. 9