



US00D703579S

(12) **United States Design Patent**  
**Kuster et al.**

(10) **Patent No.:** **US D703,579 S**  
(45) **Date of Patent:** **\*\* Apr. 29, 2014**

(54) **BUCKLE (TUBE)**

(75) Inventors: **Laurence Kuster**, London (GB);  
**Nicolas Baurain**, London (GB); **Simon Holloway**, London (GB)

(73) Assignee: **J. Choo Limited**, London (GB)

(\*\*) Term: **14 Years**

(21) Appl. No.: **29/426,078**

(22) Filed: **Jun. 29, 2012**

(30) **Foreign Application Priority Data**

May 1, 2012 (EM) ..... 002004895-0021

(51) **LOC (10) Cl.** ..... **02-07**

(52) **U.S. Cl.**  
USPC ..... **D11/201**

(58) **Field of Classification Search**  
USPC ..... D11/200-220; 24/163 R, 169-171, 173,  
24/177-179, 191, 194-195, 197, 200,  
24/614-616, 625

See application file for complete search history.

(56) **References Cited**

**U.S. PATENT DOCUMENTS**

D116,336 S \* 8/1939 Bibula ..... D11/212  
D141,474 S \* 6/1945 Rath ..... D3/243

(Continued)

**OTHER PUBLICATIONS**

Design U.S. Appl. No. 29/426,204, filed Jul. 2, 2012, first named inventor is Laurence Kuster.

(Continued)

*Primary Examiner* — Ralf Seifert

(74) *Attorney, Agent, or Firm* — Fross Zelnick Lehrman & Zissu, P.C.; Lawrence E. Apolzon, Esq.

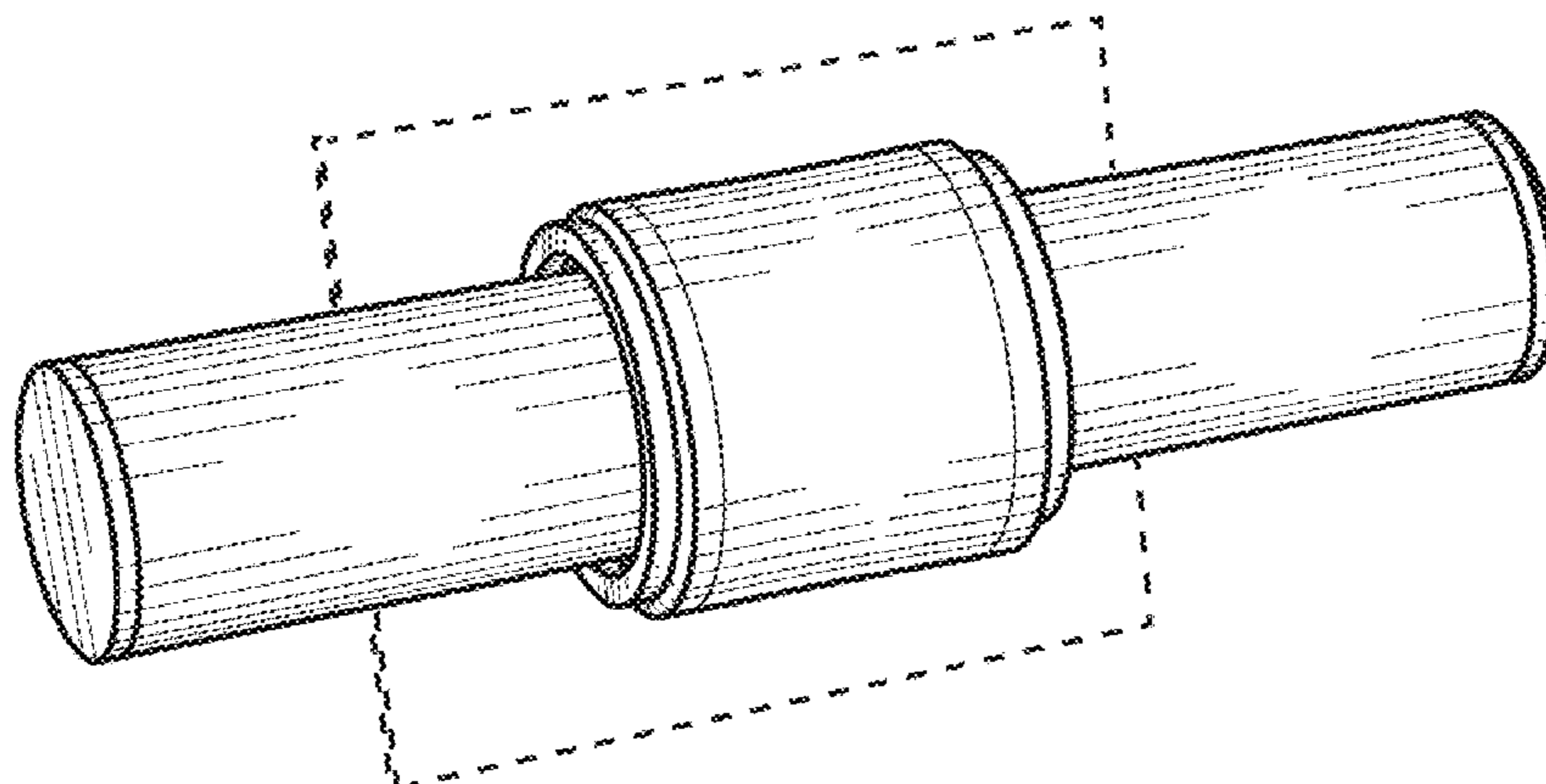
(57) **CLAIM**

The ornamental design for buckle (tube), as shown and described.

**DESCRIPTION**

FIG. 1 is a front perspective view of a buckle in a closed position showing my new design;  
FIG. 2 is a top view of the buckle shown in FIG. 1 in a closed position (with the bottom view being a mirror image thereof);  
FIG. 3 is a right side view of the buckle shown in FIG. 1 in a closed position;  
FIG. 4 is a left side view of the buckle shown in FIG. 1 in a closed position;  
FIG. 5 is a front view of the buckle shown in FIG. 1 in a closed position;  
FIG. 6 is a rear view of the buckle shown in FIG. 1 in a closed position;  
FIG. 7 is a perspective view of the buckle shown in FIG. 1, shown in a closed position, and in the environment of a bag.  
FIG. 8 is a front perspective view of the buckle shown in FIG. 1 in an open position;  
FIG. 9 is a top view of the buckle shown in FIG. 1 in an open position (with the bottom view being a mirror image thereof);  
FIG. 10 is a right side view of the buckle shown in FIG. 1 in an open position;  
FIG. 11 is a left side view of the buckle shown in FIG. 1 in an open position;  
FIG. 12 is a front view of the buckle shown in FIG. 1 in an open position;  
FIG. 13 is a rear view of the buckle shown in FIG. 1 in an open position; and,  
FIG. 14 is a perspective view of the buckle shown in FIG. 1, shown in an open position, and in the environment of a bag. The broken line showing of the mounting piece, track slot and environment in the relevant drawings shows unclaimed subject matter for the design in those drawings.

**1 Claim, 4 Drawing Sheets**



(56)

**References Cited**

**OTHER PUBLICATIONS**

U.S. PATENT DOCUMENTS

D467,520 S \* 12/2002 Petros ..... D11/200  
D482,162 S \* 11/2003 Bostroem ..... D28/77  
D582,154 S 12/2008 Gonzalez  
D597,305 S 8/2009 Gonzalez  
D685,291 S \* 7/2013 Yuson ..... D11/200  
D685,676 S \* 7/2013 Tylaska et al. .... D11/222

Design U.S. Appl. No. 29/426,052, filed Jun. 29, 2012, first named inventor is Laurence Kuster.

Design U.S. Appl. No. 29/426,088, filed Jun. 29, 2012, first named inventor is Laurence Kuster.

\* cited by examiner

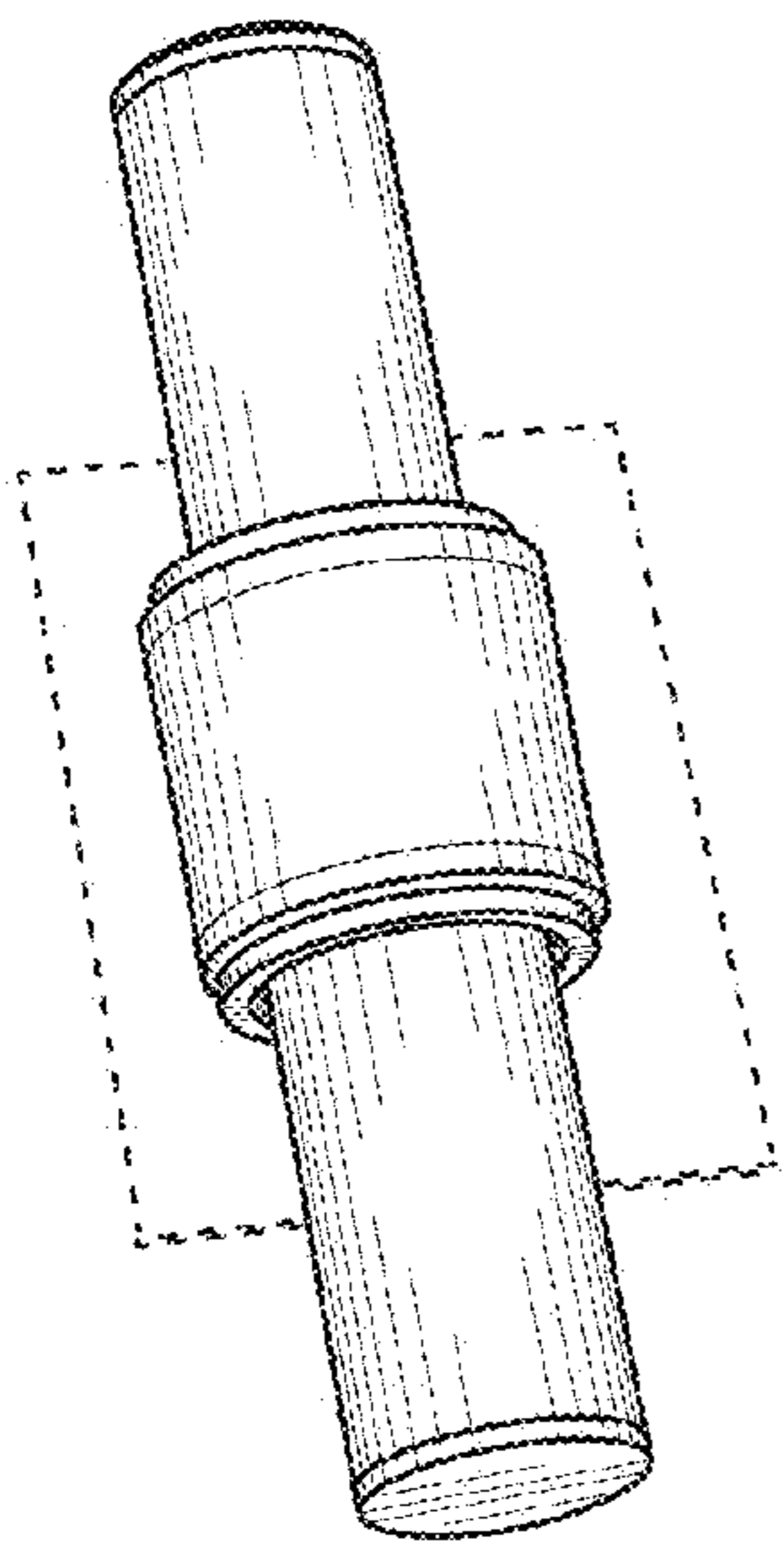


FIG. 1

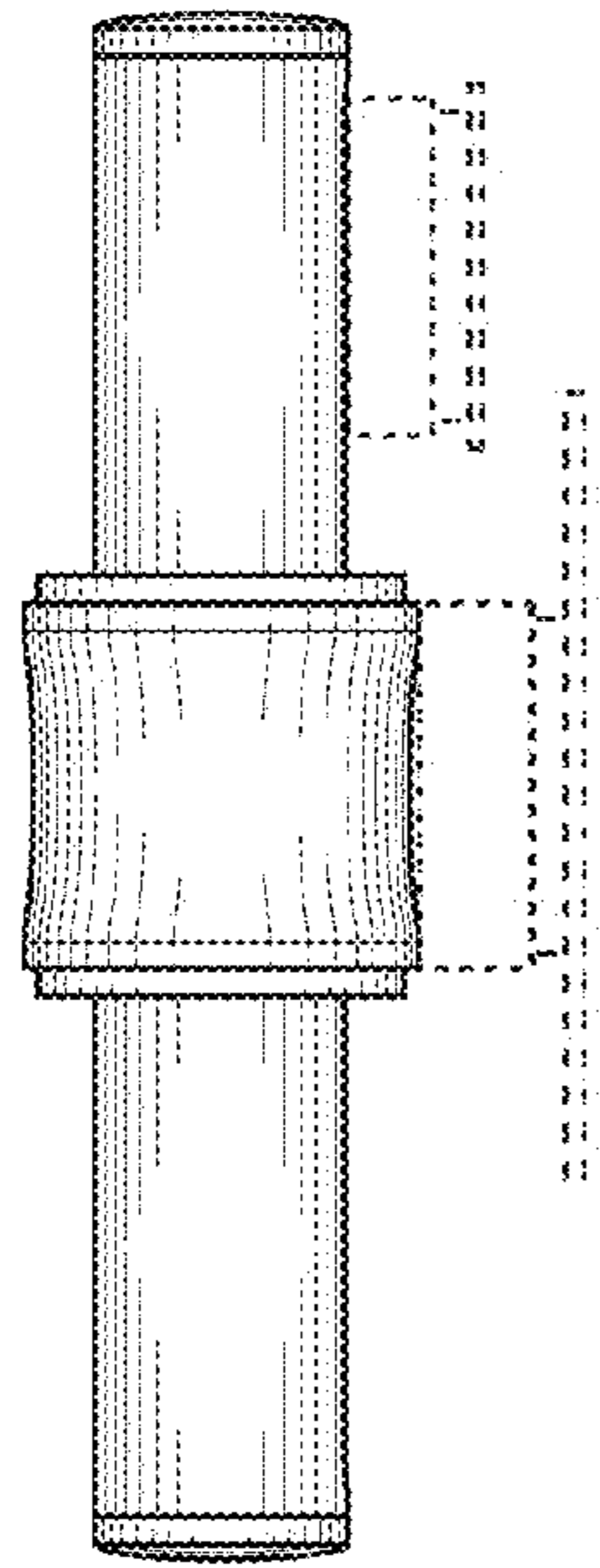


FIG. 2

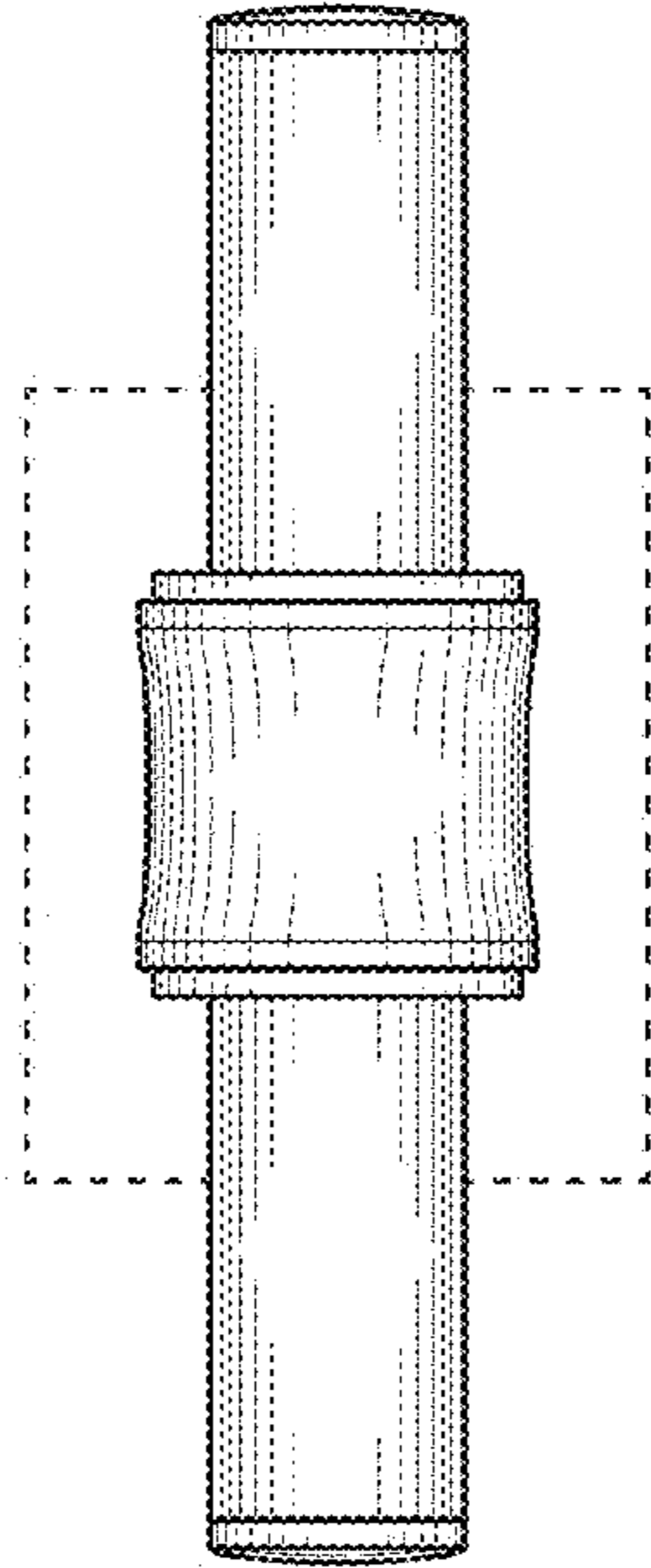


FIG. 5

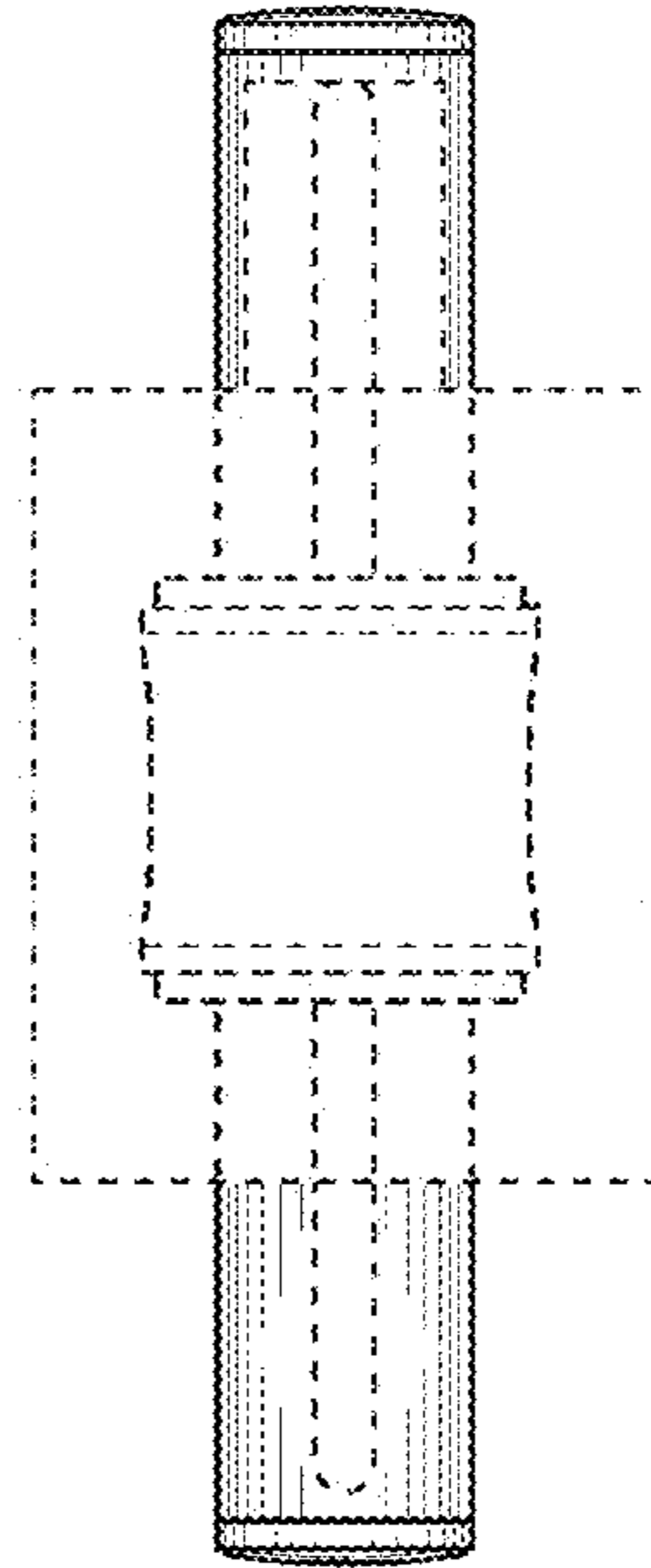


FIG. 6

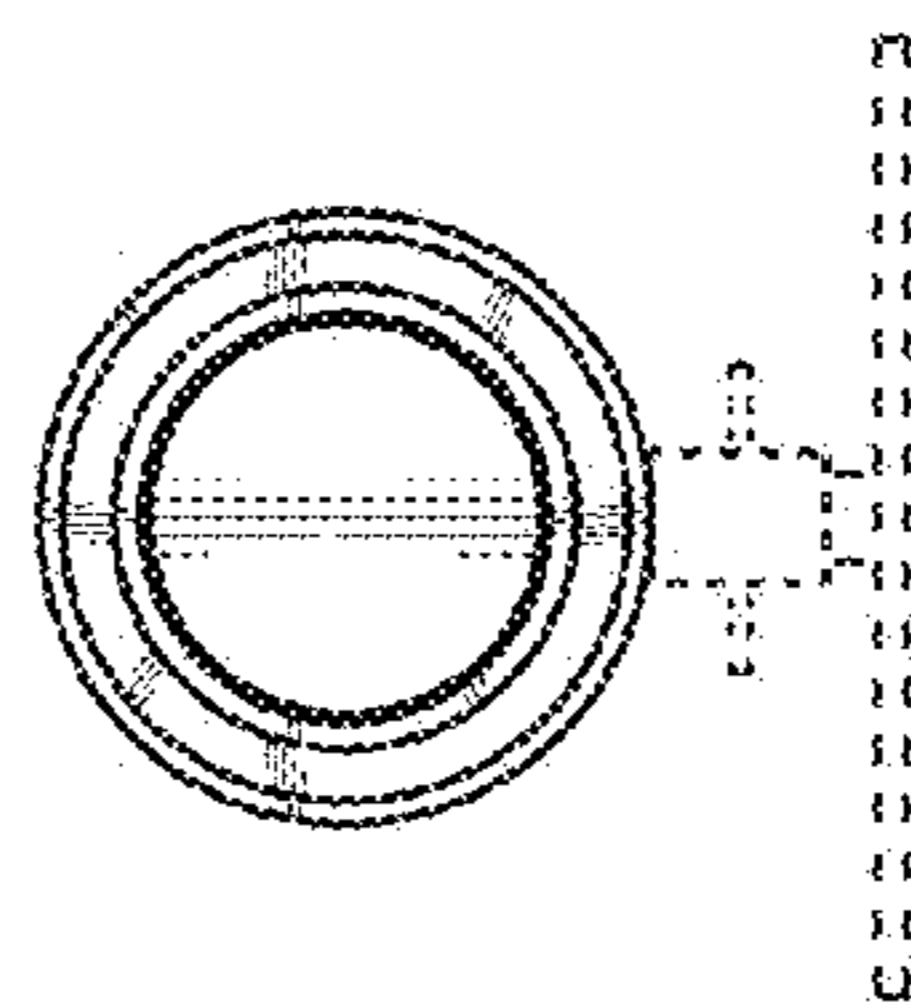


FIG. 3

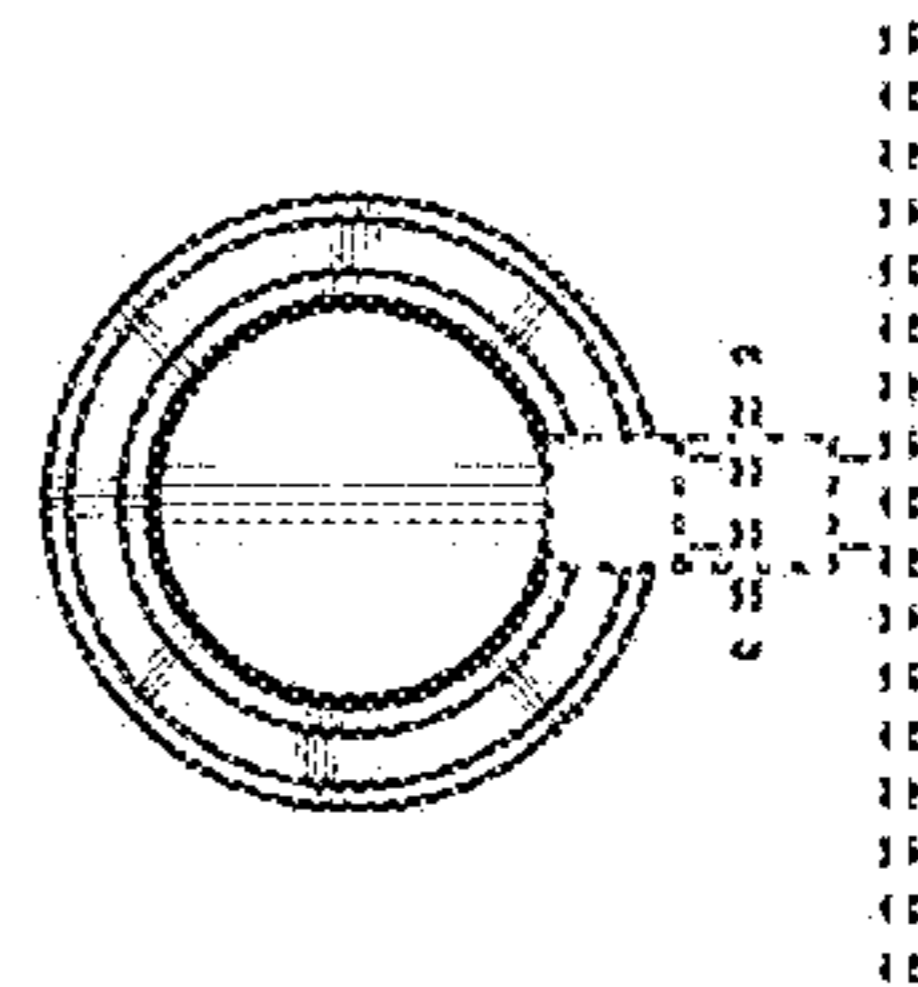


FIG. 4

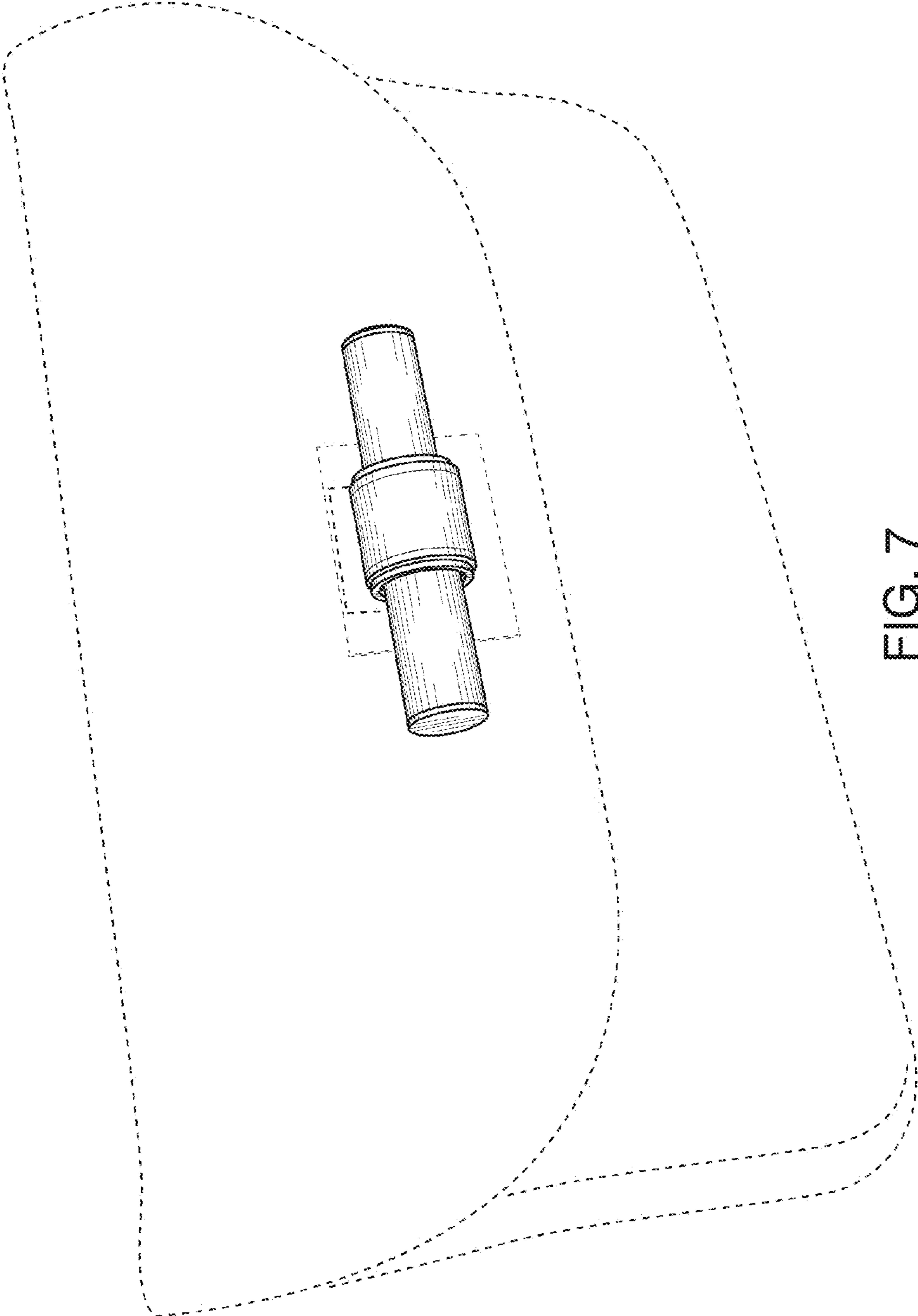


FIG. 7

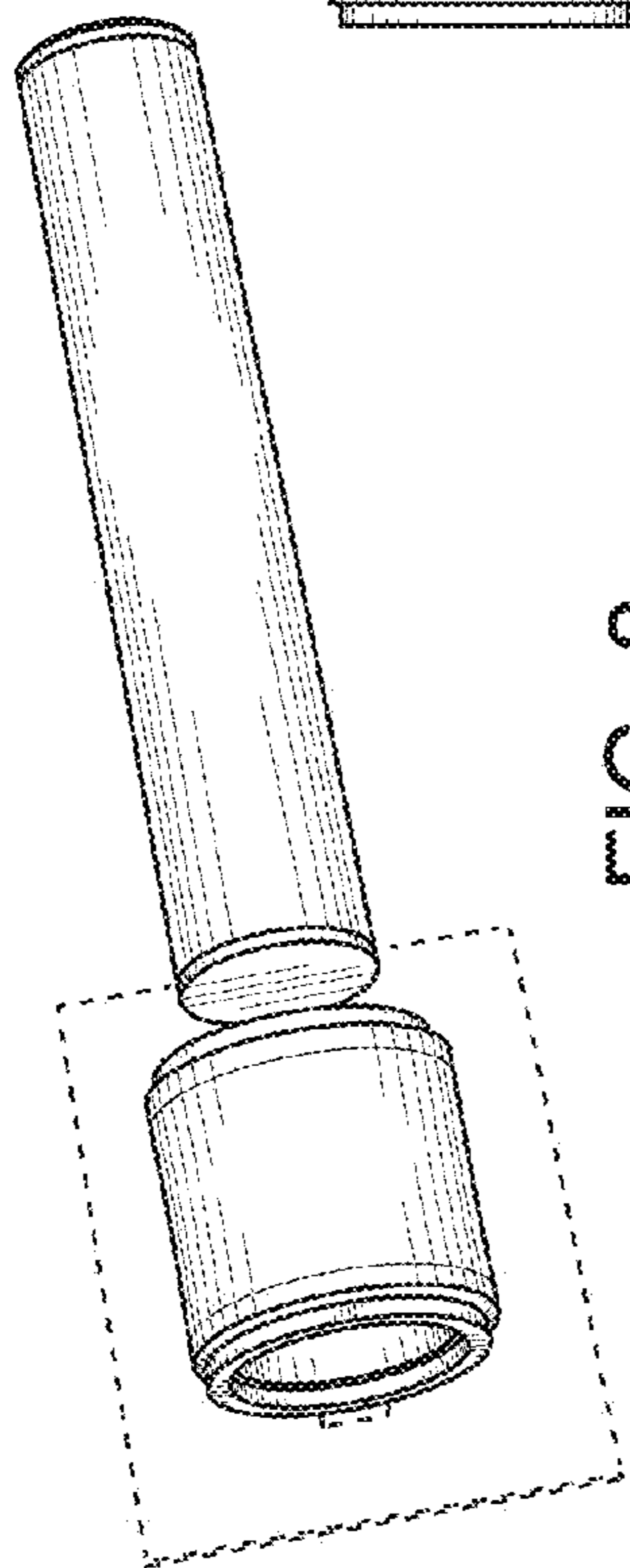


FIG. 8

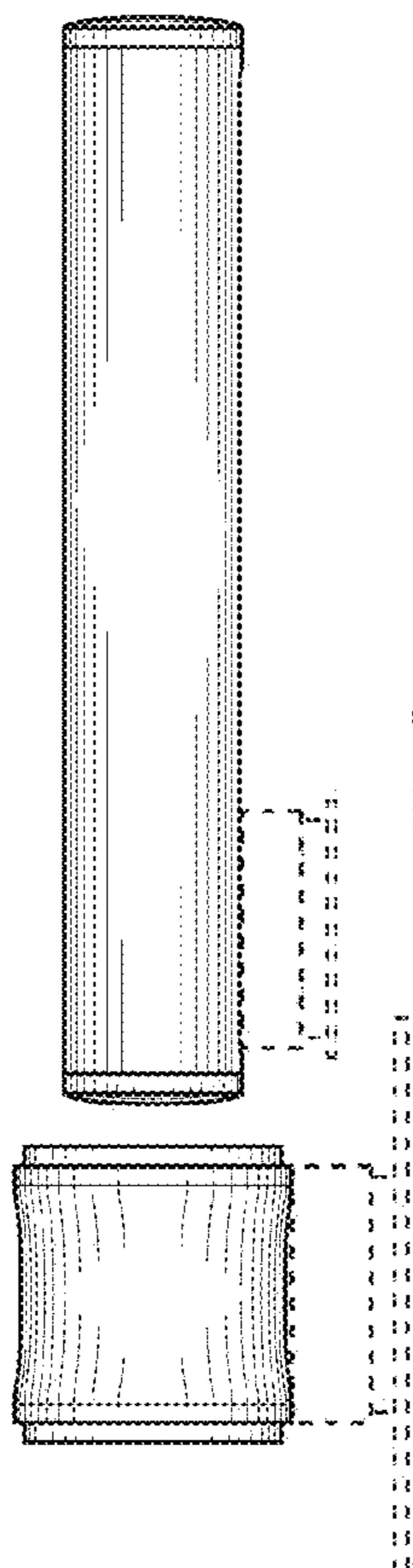


FIG. 9

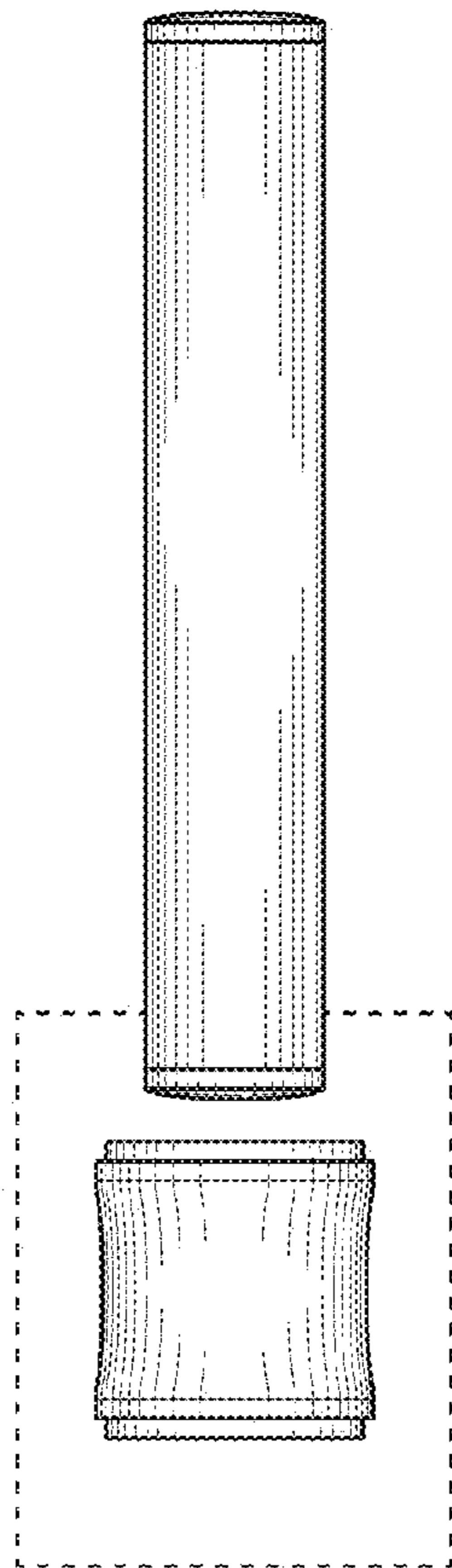


FIG. 10

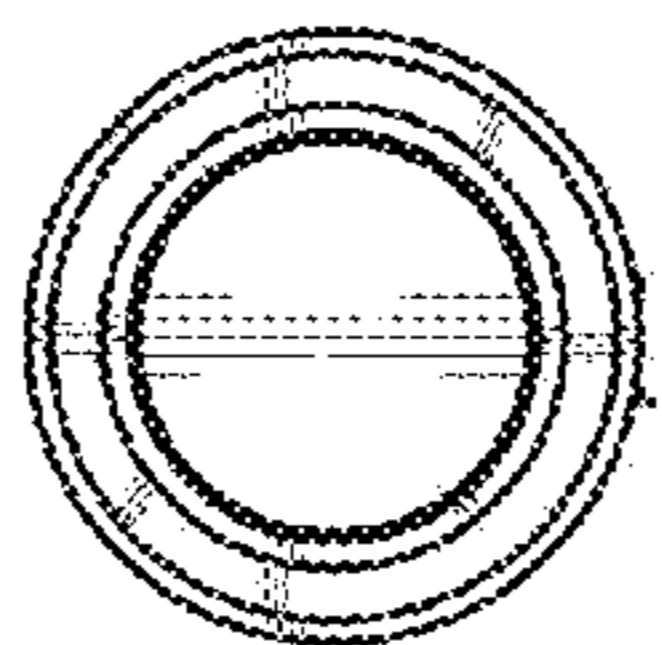


FIG. 11

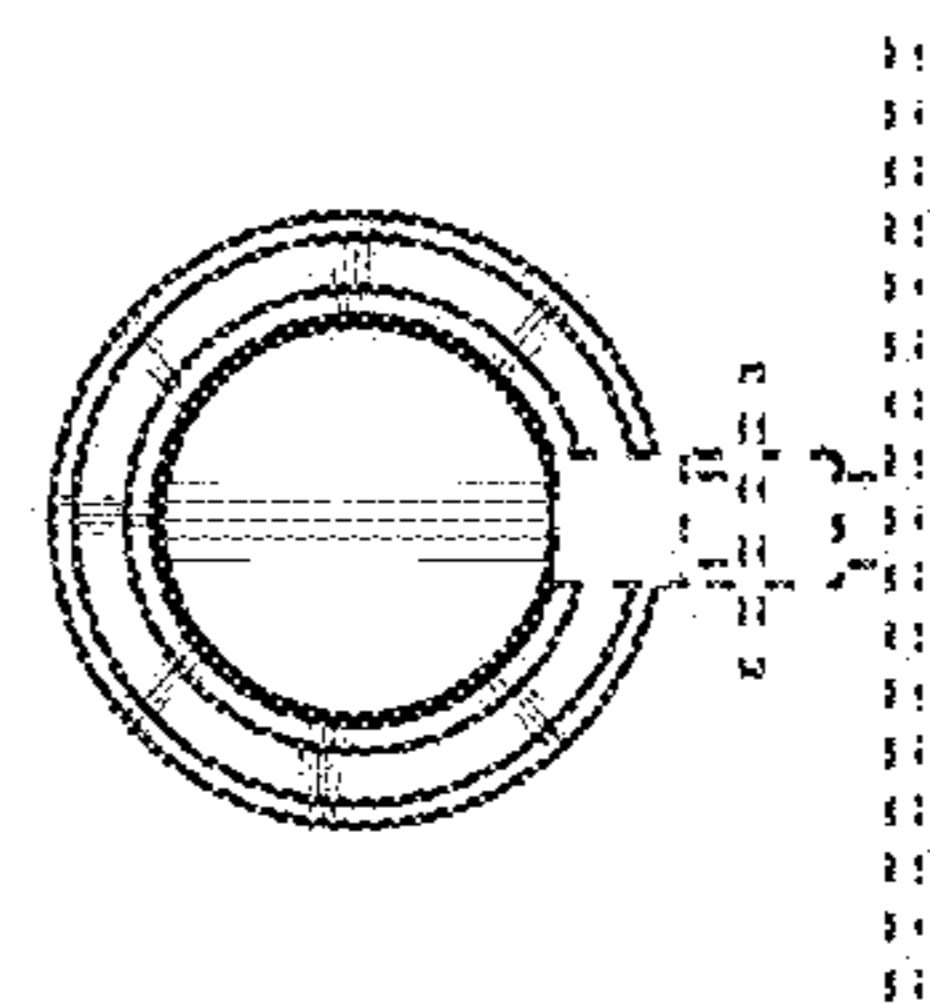


FIG. 12

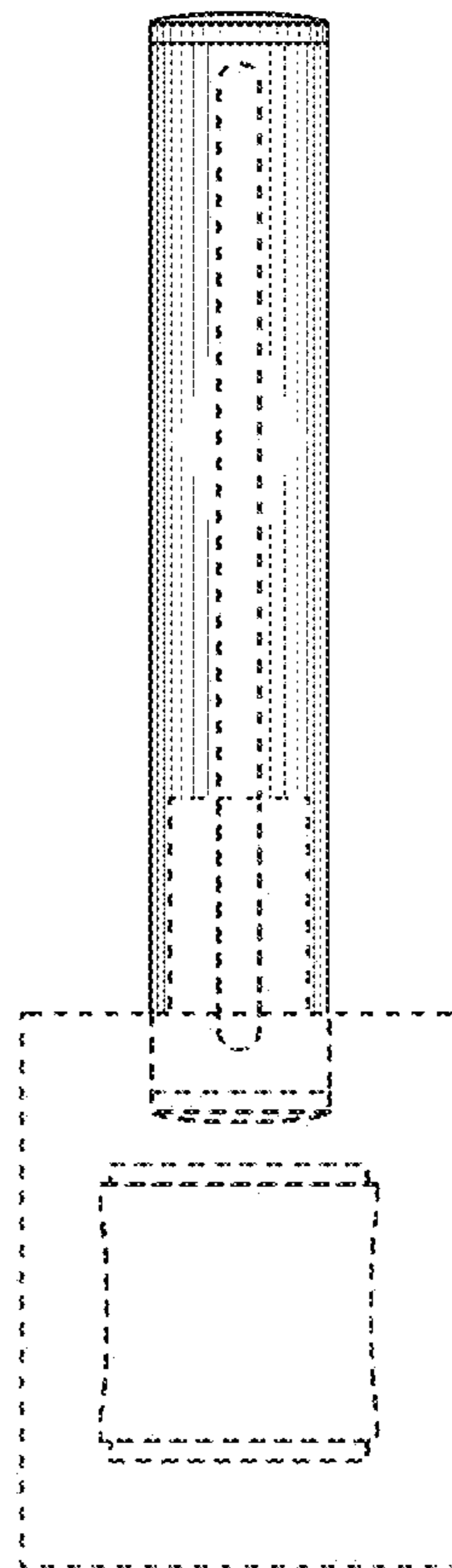


FIG. 13

FIG. 11

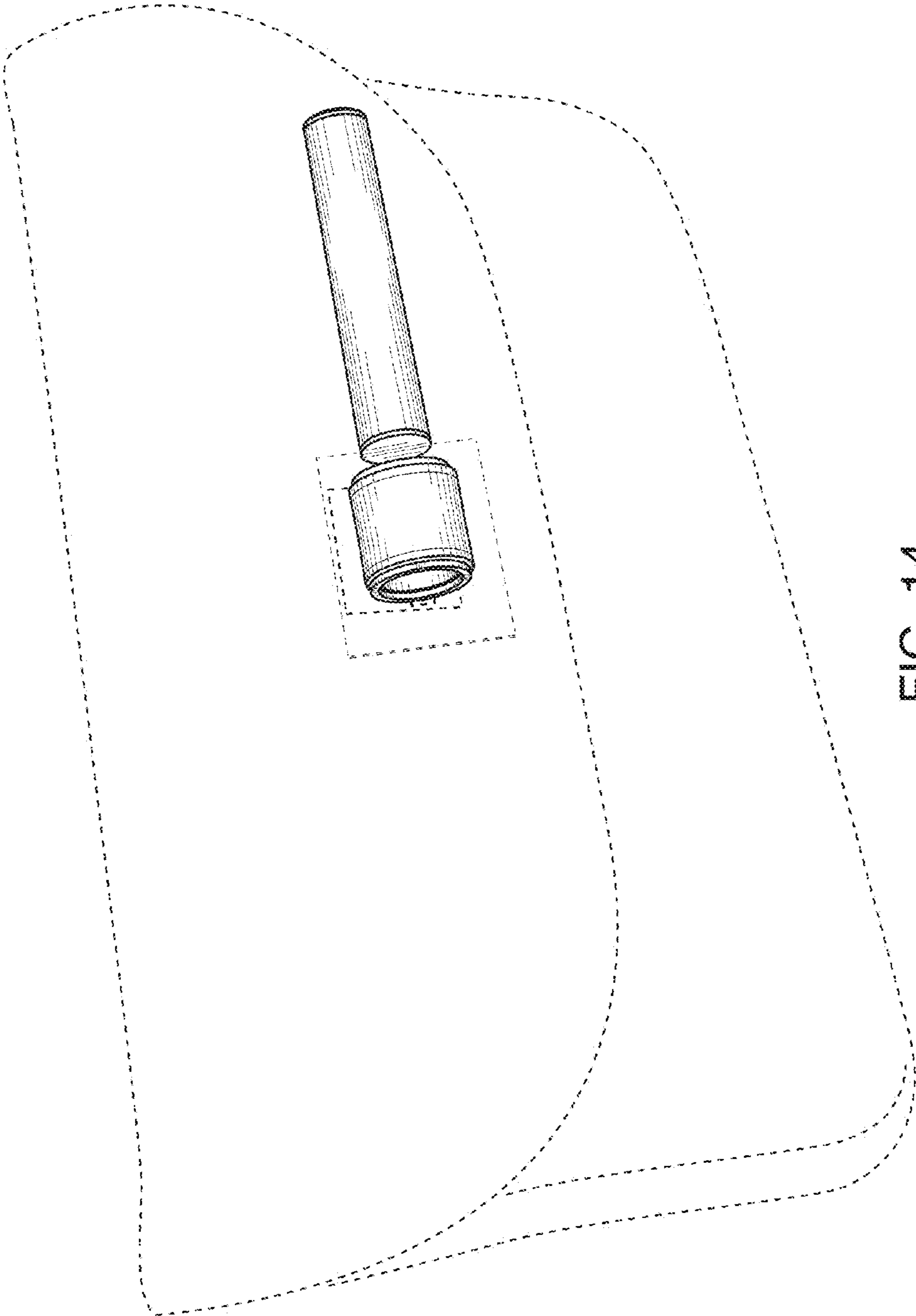


FIG. 14