



US00D703577S

(12) **United States Design Patent**
Cipolla

(10) **Patent No.:** **US D703,577 S**

(45) **Date of Patent:** **** Apr. 29, 2014**

(54) **CHAIN LINK**

Primary Examiner — Zenia Bennett

(74) *Attorney, Agent, or Firm* — Salter & Michaelson

(71) Applicant: **Steven A. Cipolla**, Cranston, RI (US)

(72) Inventor: **Steven A. Cipolla**, Cranston, RI (US)

(57) **CLAIM**

The ornamental design for a chain link, as shown and described.

(73) Assignee: **National Chain Company**, Warwick, RI (US)

(**) Term: **14 Years**

DESCRIPTION

(21) Appl. No.: **29/451,020**

FIG. 1 is a perspective view of a first embodiment of a chain link;

(22) Filed: **Mar. 27, 2013**

FIG. 2 is a front elevational view of a first embodiment thereof;

(51) **LOC (10) Cl.** **11-01**

FIG. 3 is a rear elevational view of a first embodiment thereof;

(52) **U.S. Cl.**

FIG. 4 is a top plan view of a first embodiment thereof;

USPC **D11/93**

FIG. 5 is a bottom plan view of a first embodiment thereof;

(58) **Field of Classification Search**

FIG. 6 is a left side elevational view of a first embodiment thereof;

USPC D11/1-25, 32, 93, 94; 59/78, 79.2;
63/1.11, 3, 3.1, 3.2, 5.1, 5.2, 7-11;
224/175; D10/30-32

FIG. 7 is a right side elevational view of a first embodiment thereof;

See application file for complete search history.

FIG. 8 is a perspective view of a second embodiment of a chain link;

(56) **References Cited**

FIG. 9 is a front elevational view of a second embodiment thereof;

U.S. PATENT DOCUMENTS

FIG. 10 is a rear elevational view of a second embodiment thereof;

D172,332 S *	6/1954	Boots	D11/22
D172,913 S *	8/1954	Weinacker	D11/17
D173,311 S *	10/1954	Katz	D11/15
D313,571 S *	1/1991	Brom	D11/86
D333,800 S *	3/1993	Akdemir	D11/12
D380,169 S *	6/1997	Rozenwasser	D11/18
D380,404 S *	7/1997	Rozenwasser	D11/17
D383,695 S *	9/1997	Rozenwasser	D11/13
D542,690 S *	5/2007	Miller et al.	D11/26
7,231,759 B2 *	6/2007	Benecke	59/78
D595,177 S *	6/2009	Strauzer et al.	D11/79
D630,967 S *	1/2011	Lebail	D11/43

FIG. 11 is a top plan view of a second embodiment thereof;

FIG. 12 is a bottom plan view of a second embodiment thereof;

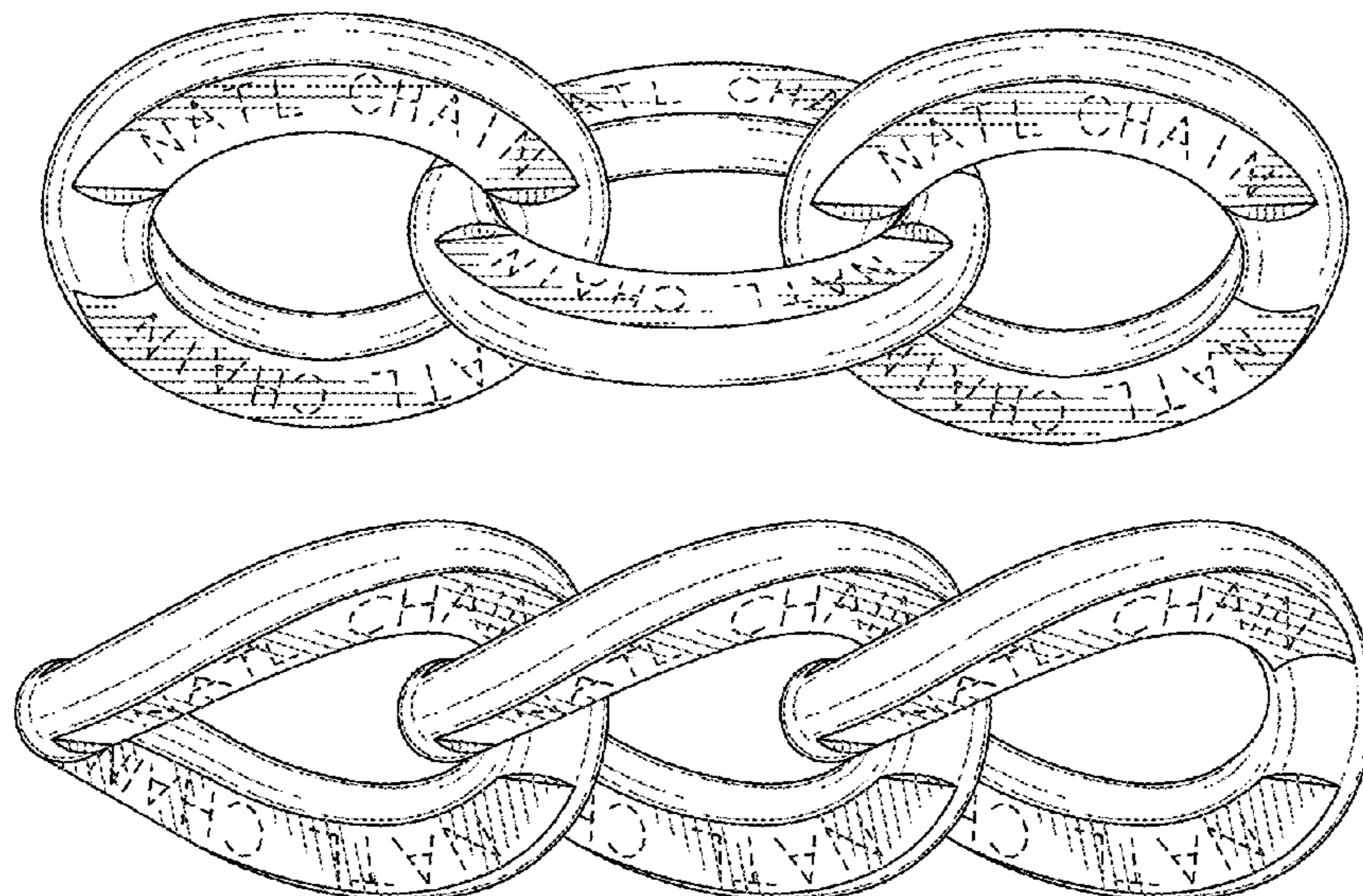
FIG. 13 is a left side elevational view of a second embodiment thereof; and,

FIG. 14 is a right side elevational view of a second embodiment thereof.

The portions shown in broken lines are included for illustrative purposes only and form no part of the claimed design.

* cited by examiner

1 Claim, 4 Drawing Sheets



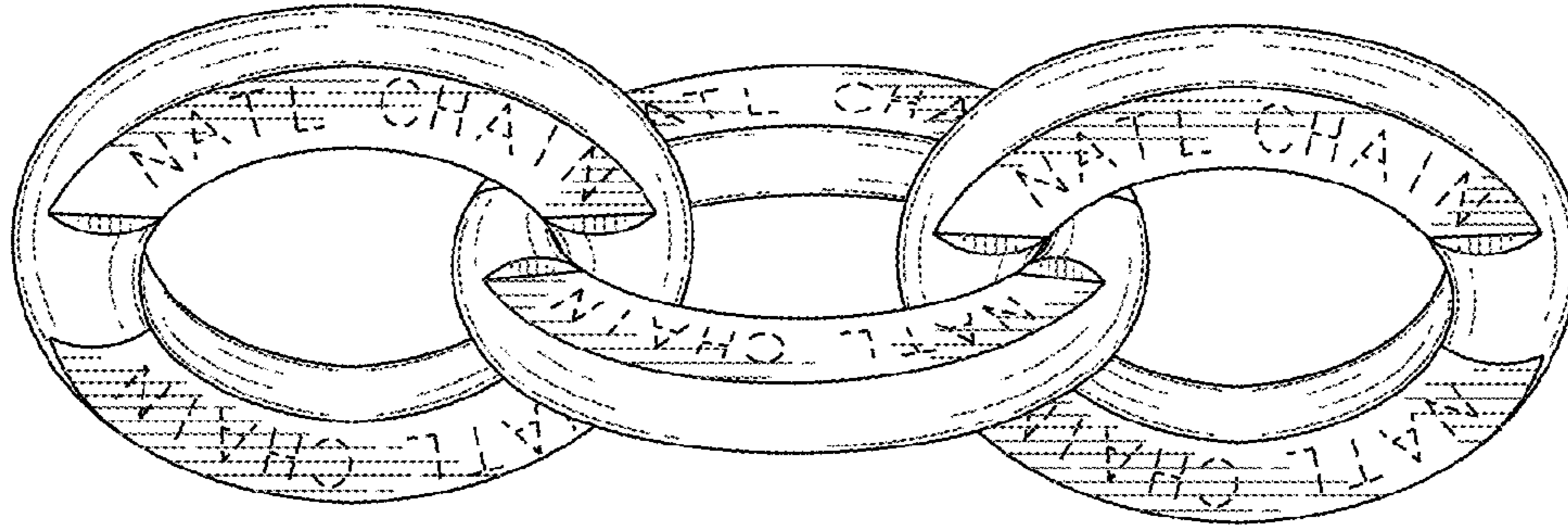


FIG. 1

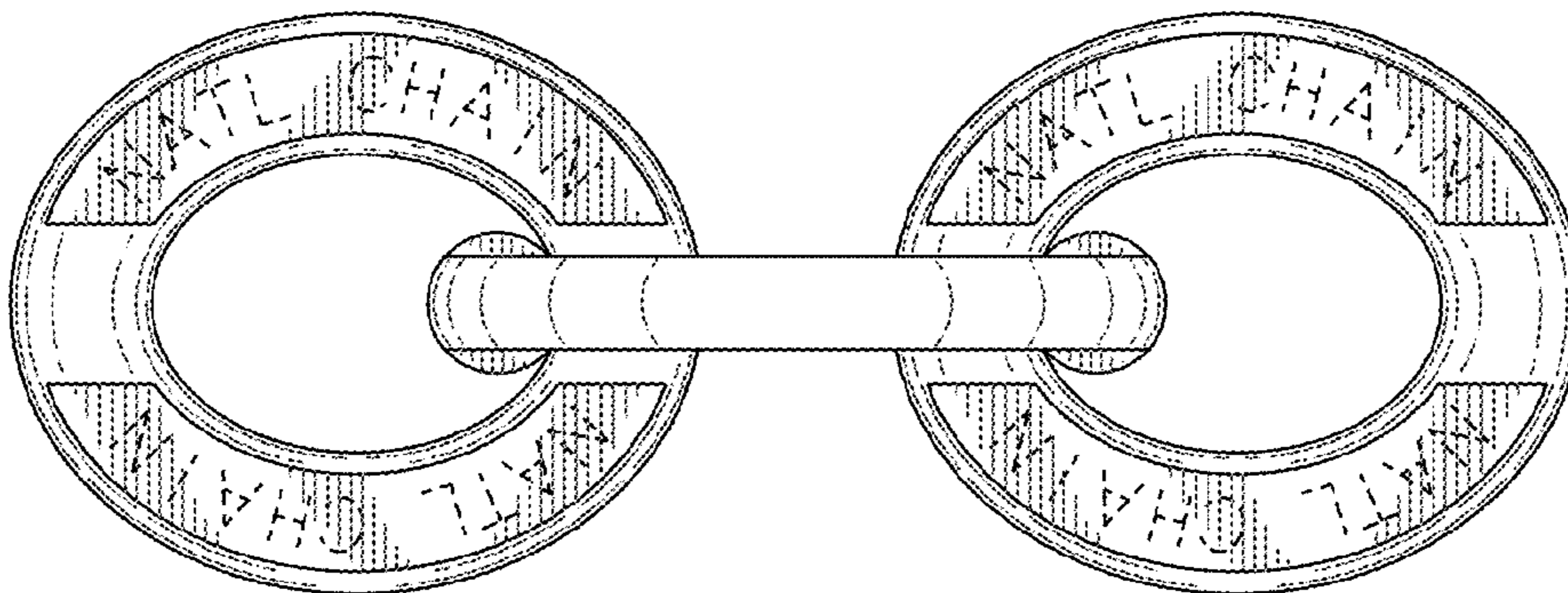


FIG. 2

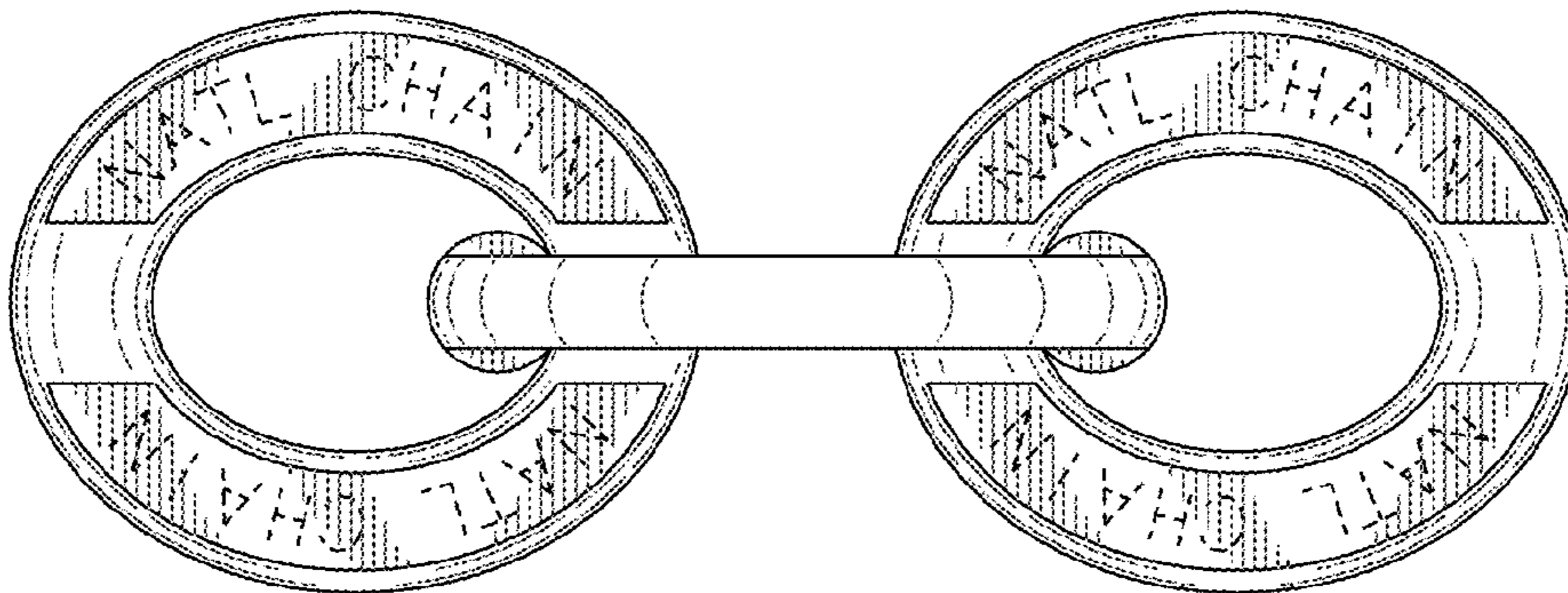


FIG. 3

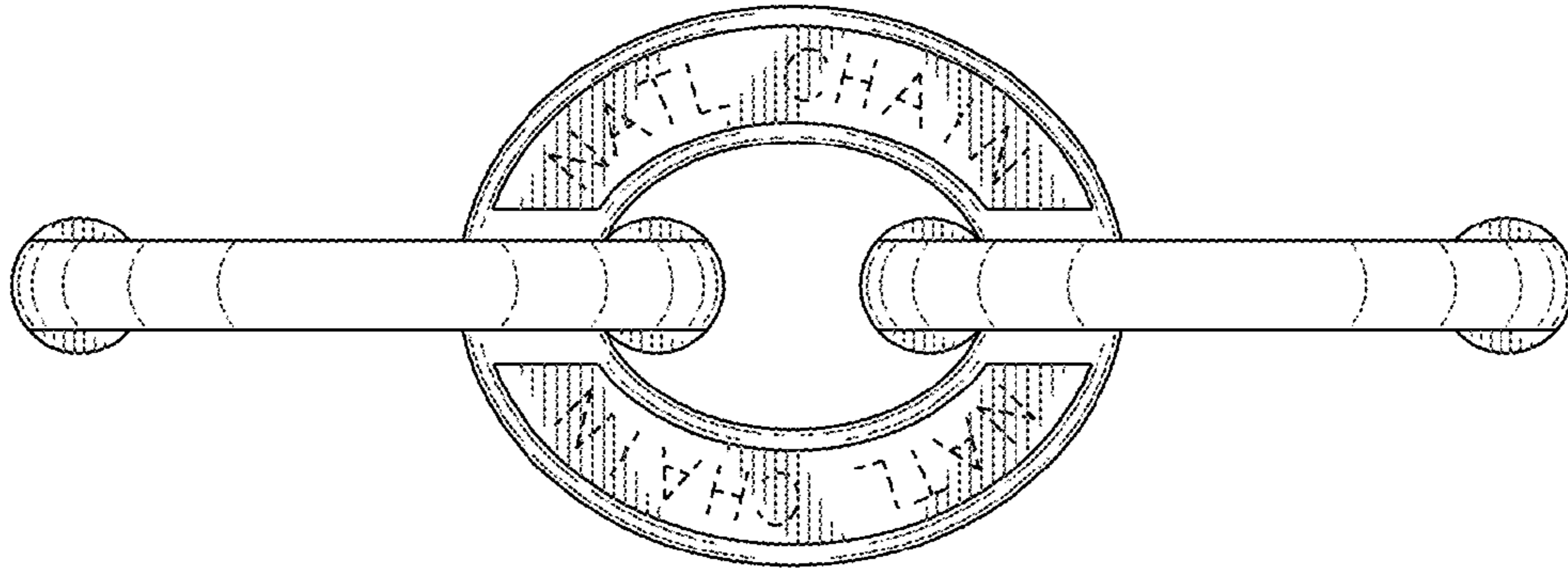


FIG. 4

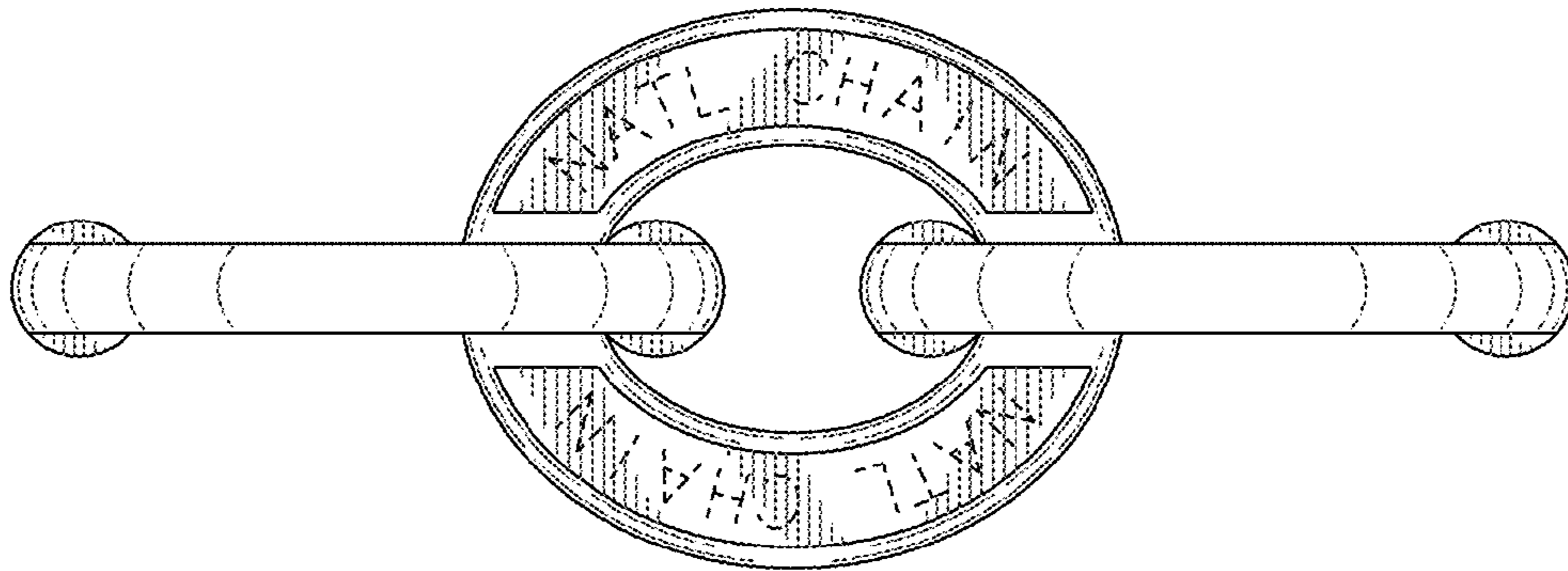


FIG. 5

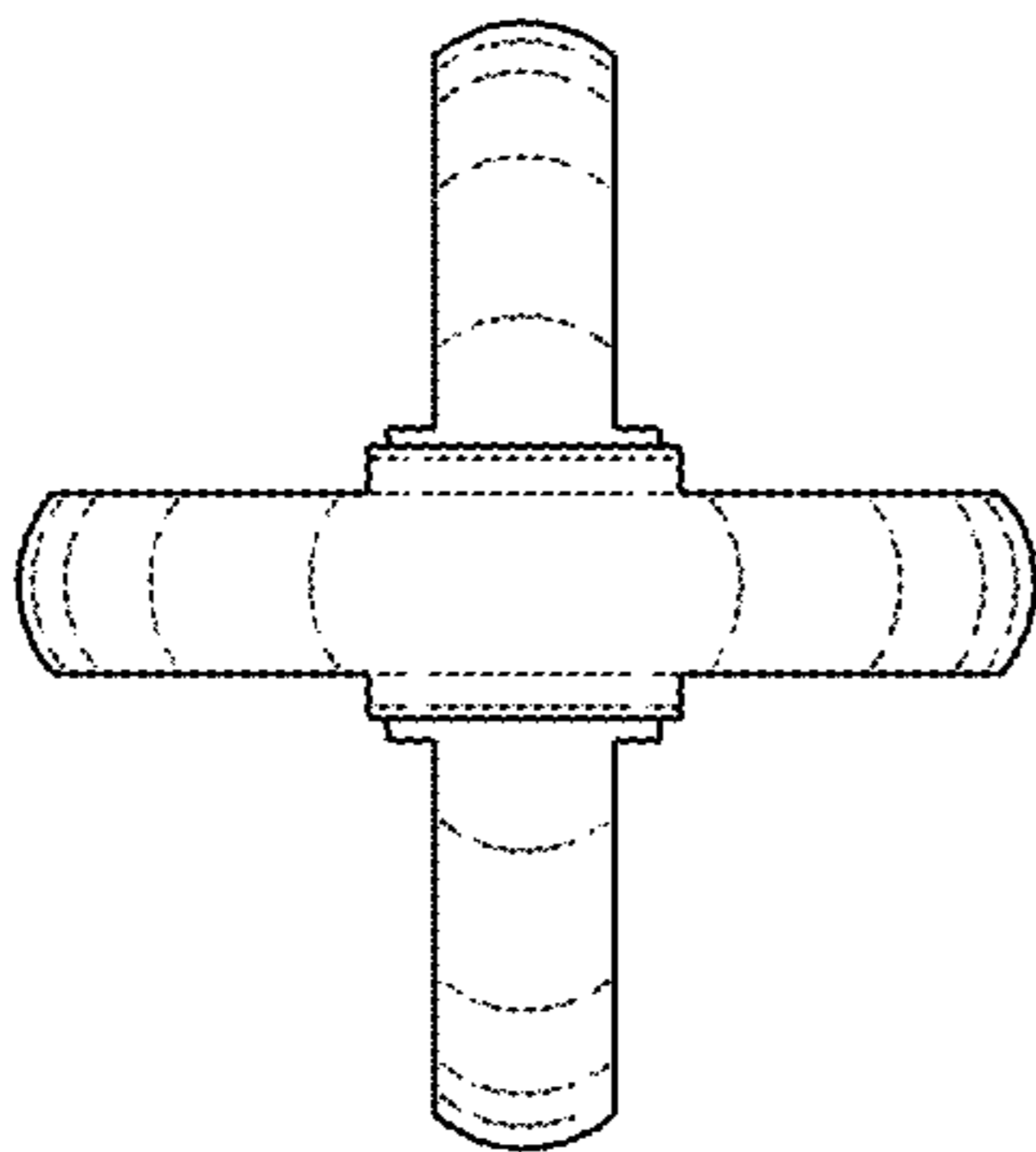


FIG. 6

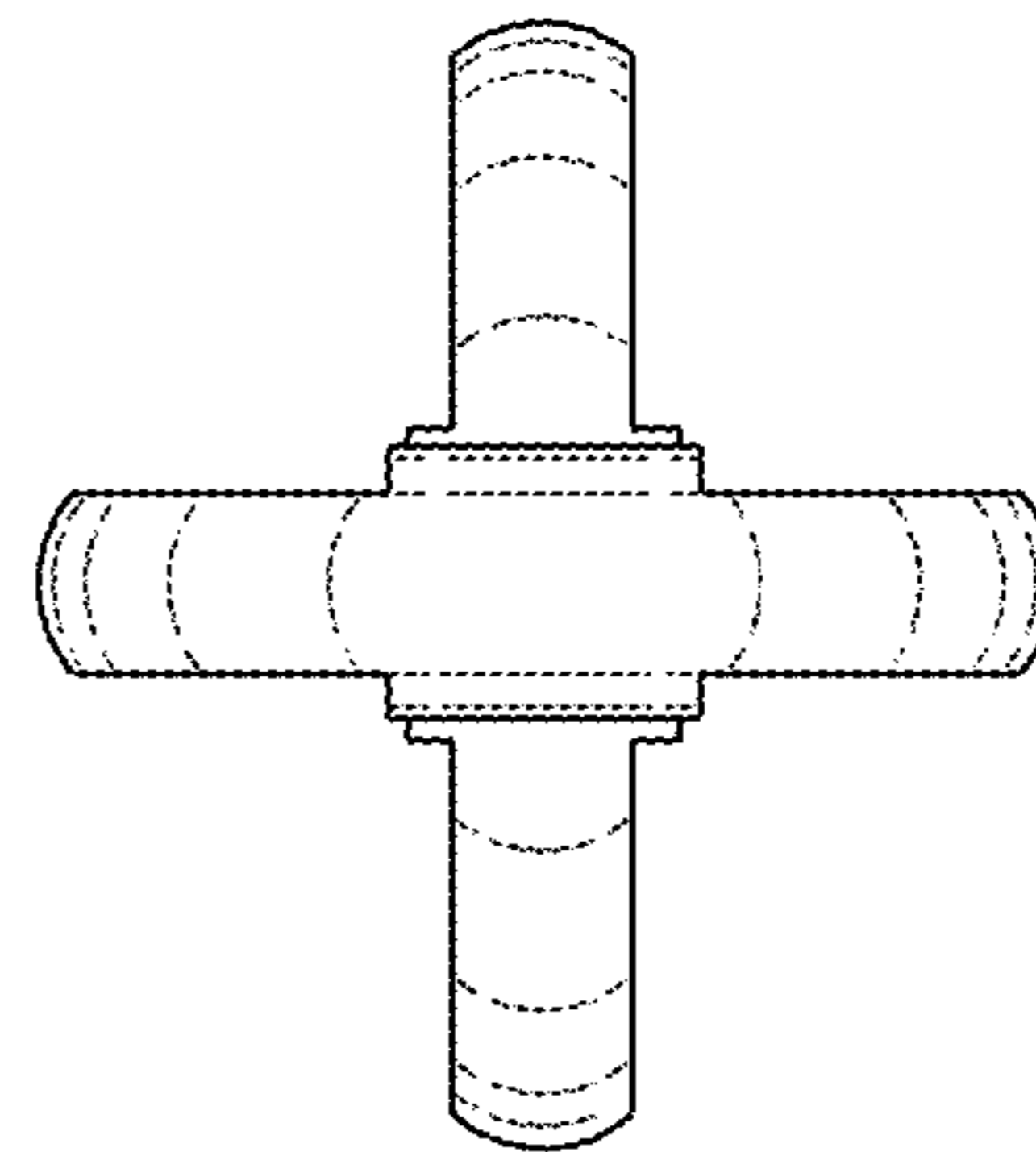


FIG. 7

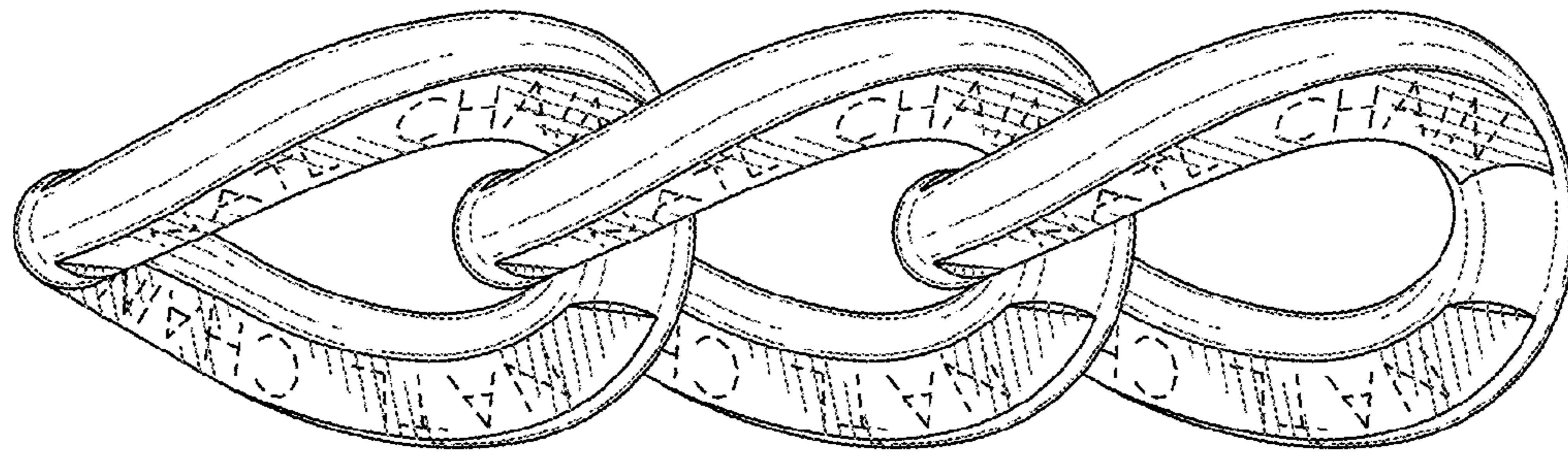


FIG. 8

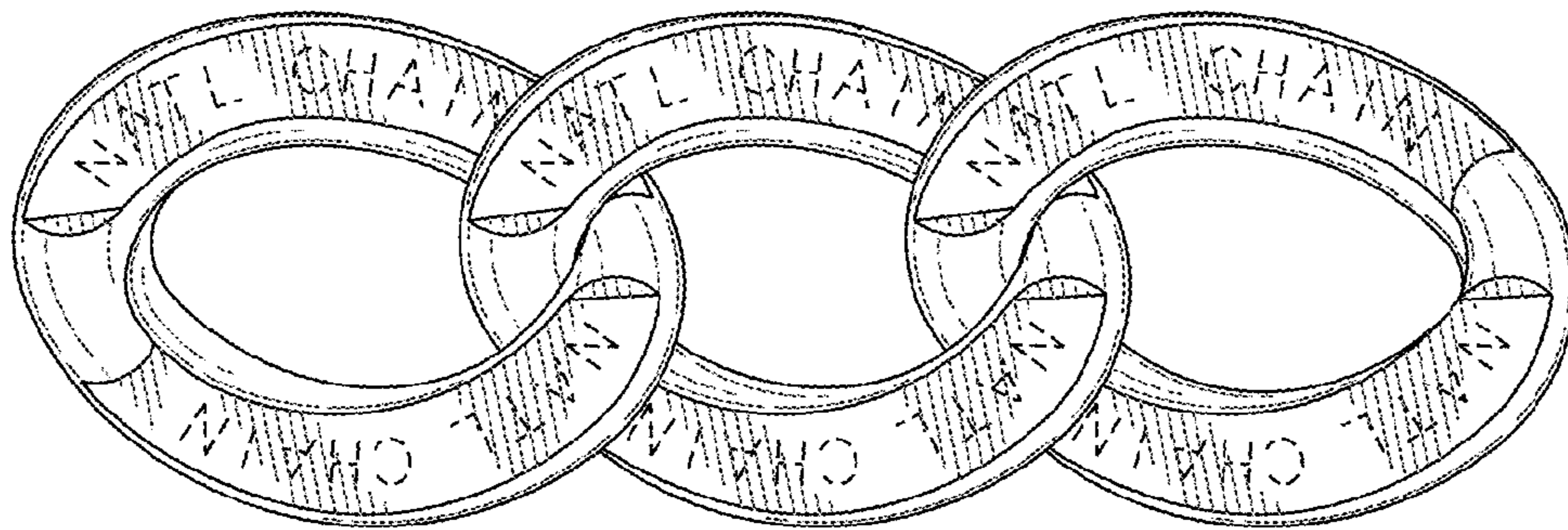


FIG. 9

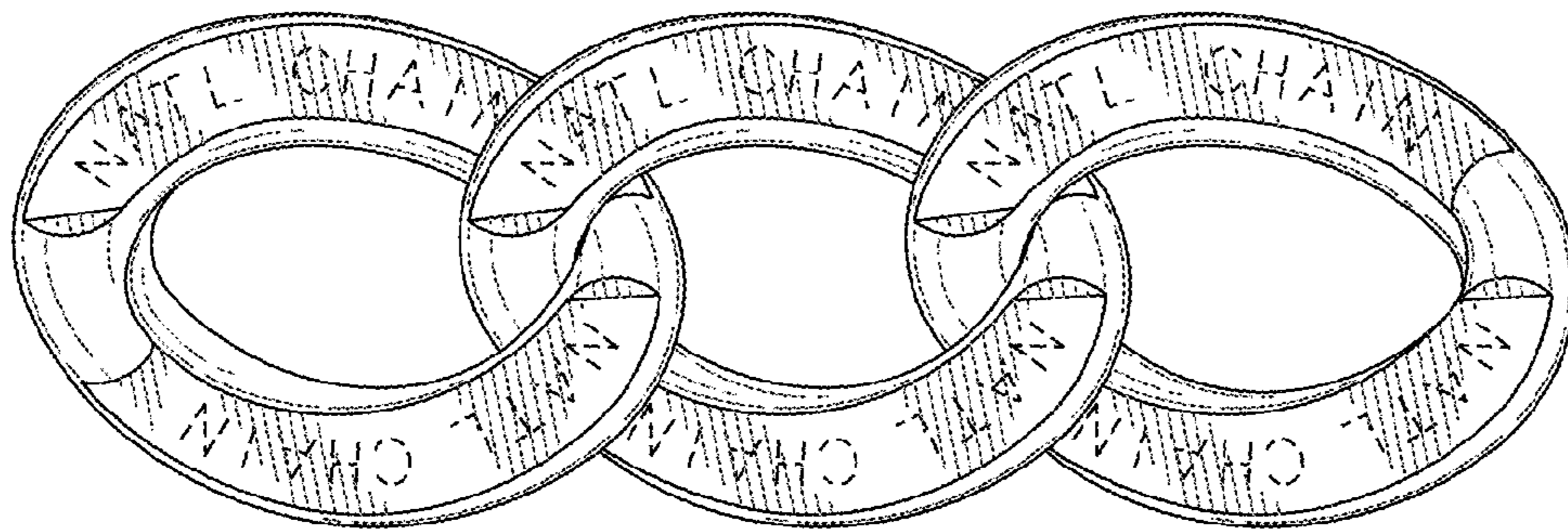


FIG. 10

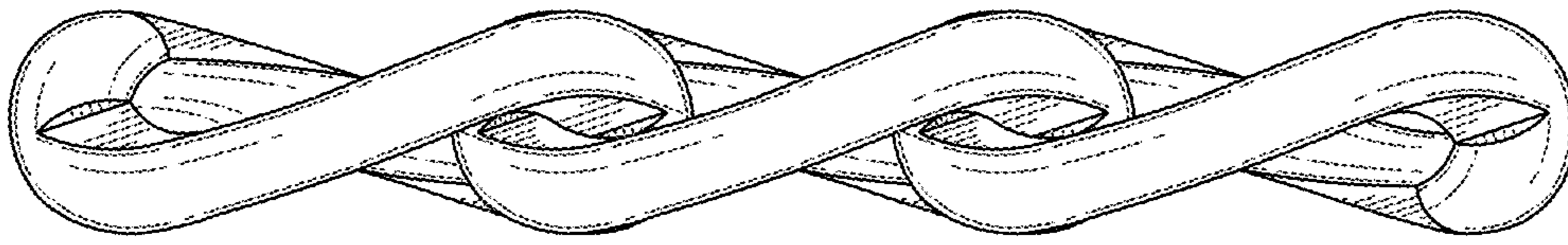


FIG. 11

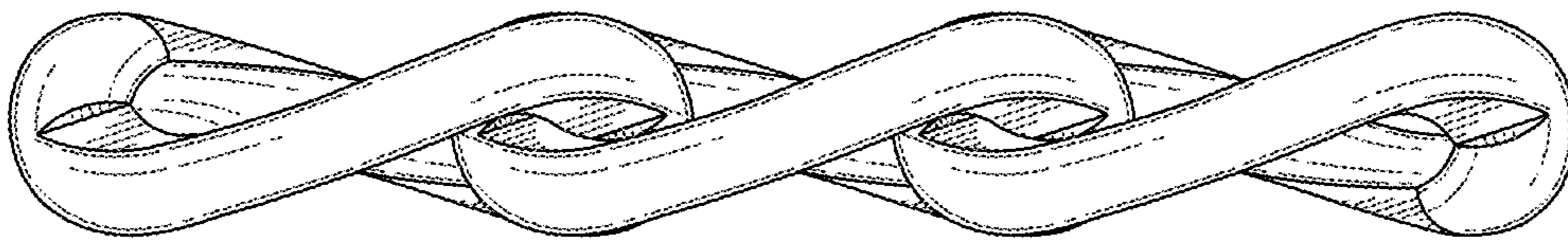


FIG. 12

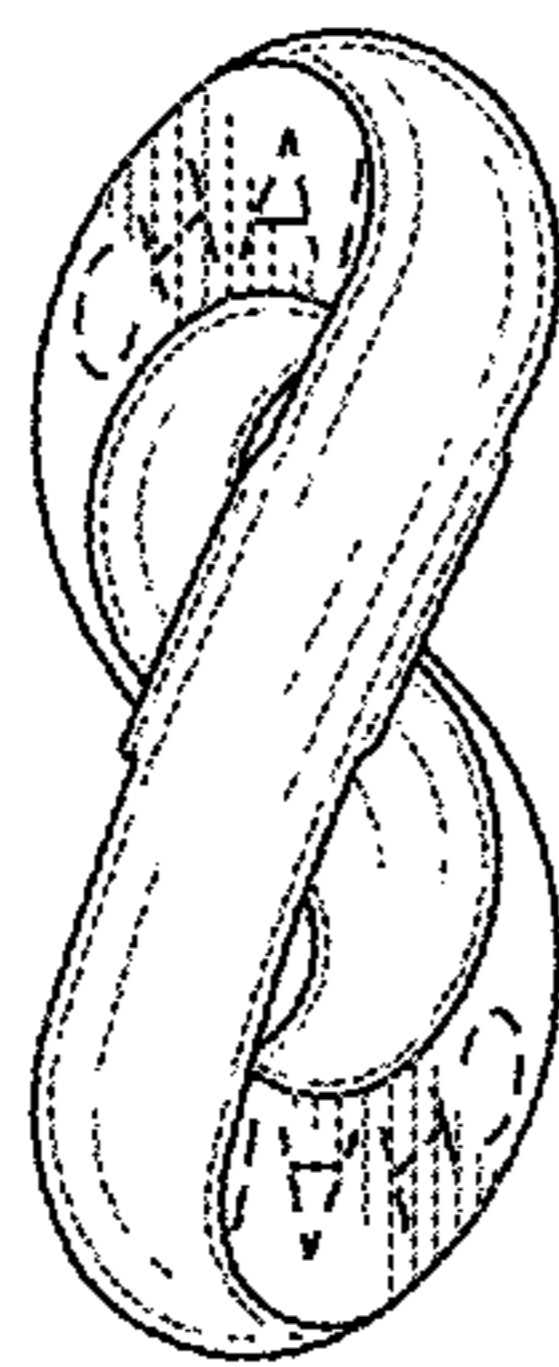


FIG. 13

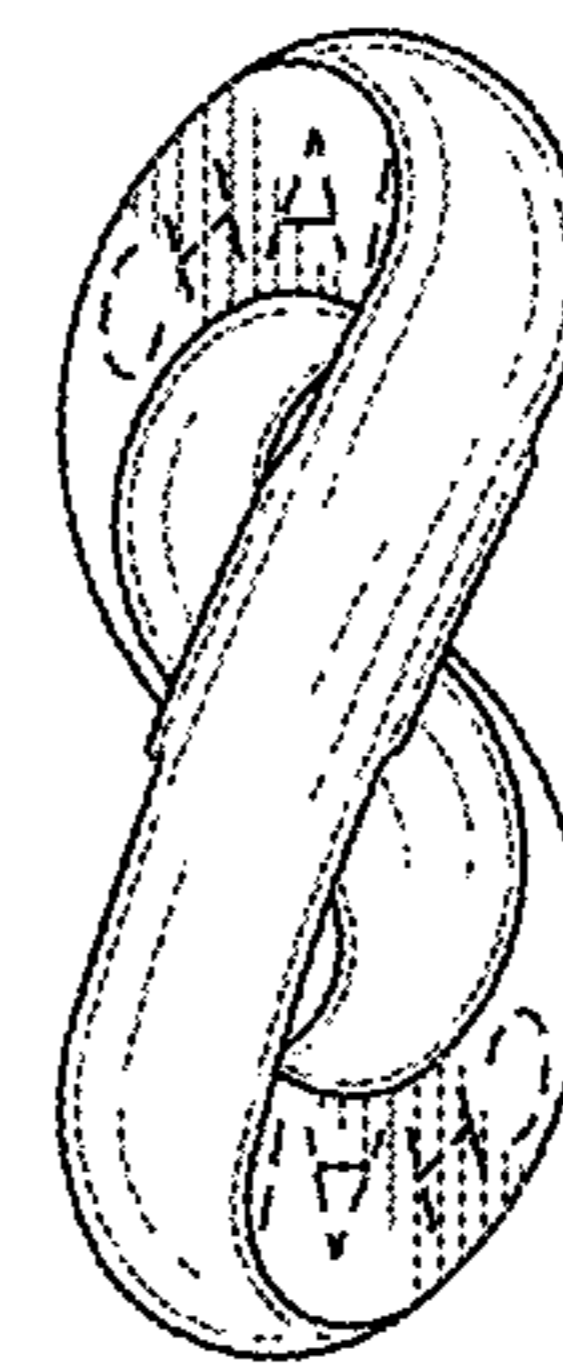


FIG. 14