



US00D703574S

(12) **United States Design Patent**
Tyson et al.

(10) **Patent No.:** **US D703,574 S**
(45) **Date of Patent:** **** Apr. 29, 2014**

(54) **CLOTHING FASTENER ACCESSORY**

(71) Applicants: **Dennis D. Tyson**, Cuyahoga Falls, OH (US); **Kathy M. Tyson**, Cuyahoga Falls, OH (US)

(72) Inventors: **Dennis D. Tyson**, Cuyahoga Falls, OH (US); **Kathy M. Tyson**, Cuyahoga Falls, OH (US)

(73) Assignee: **Eagle Leather, Inc.**, Cuyahoga Falls, OH (US)

(**) Term: **14 Years**

(21) Appl. No.: **29/437,883**

(22) Filed: **Nov. 21, 2012**

(51) **LOC (10) Cl.** **11-01**

(52) **U.S. Cl.**
USPC **D11/87; D11/220**

(58) **Field of Classification Search**
USPC D11/78.1, 220, 22, 226, 218; 24/1, 681, 24/689-691, 18, 683, 108, 674, 692, 24/621-623, 671, 662, 618; 292/319; D8/382

See application file for complete search history.

(56) **References Cited**

U.S. PATENT DOCUMENTS

D81,660	S	*	7/1930	Negbaur	D11/78.1
D295,501	S	*	5/1988	Brayford	D10/31
D301,017	S	*	5/1989	Norman et al.	D10/68
4,959,890	A	*	10/1990	Pazurek	24/113 MP
5,176,269	A		1/1993	Herman		
5,337,584	A		8/1994	Angeli		
5,621,951	A		4/1997	Gould		
6,035,494	A		3/2000	Duke et al.		
D521,893	S	*	5/2006	Reidy	D11/78.1

D581,311 S * 11/2008 Cornett D11/78.1
2008/0313864 A1 12/2008 Suter
2012/0117763 A1 5/2012 Patel

OTHER PUBLICATIONS

Picture Hood U Clip—<http://yankeecr.accountsupport.com/cgi-bin/catalog/picserve.cgi?picserve=/Hood-U-Clip...> date at least as early as Sep. 10, 2012.

Picture of Clips—<http://www.taiwantrade.com.tw/resources/member/115216/productcatalog/c01fbccb-edf2-...> date at least as early as Sep. 10, 2010.

* cited by examiner

Primary Examiner — Zenia Bennett

(74) *Attorney, Agent, or Firm* — Hudak, Shunk & Farine Co. LPA

(57) **CLAIM**

The ornamental design for a “clothing fastener accessory,” as shown and described.

DESCRIPTION

FIG. 1 is a left front perspective view of a new design for a clothing fastener accessory;

FIG. 2 is a top view;

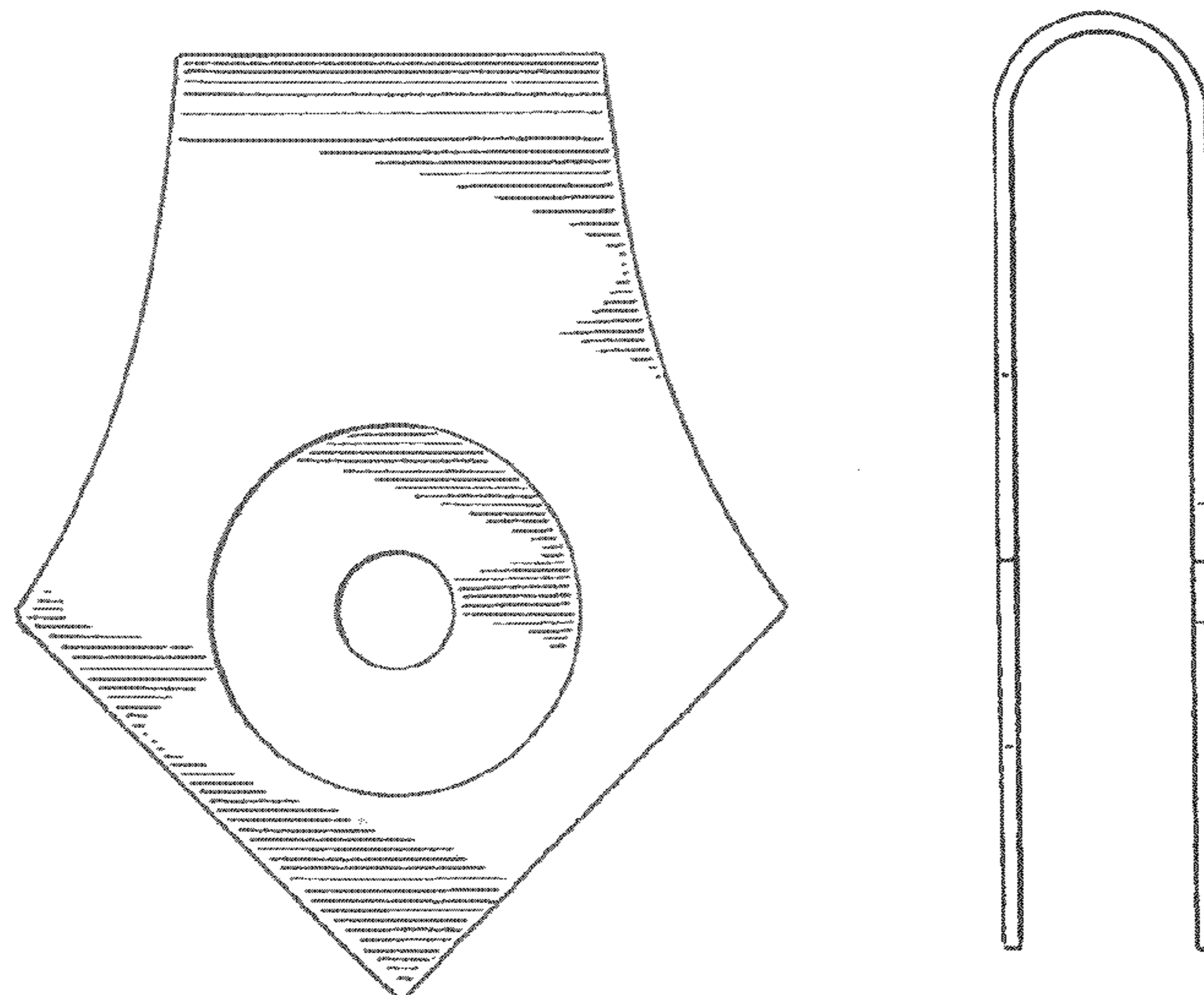
FIG. 3 is a bottom view;

FIG. 4 is a side elevational view, the opposite side view being a mirror image thereof;

FIG. 5 is a top view showing the clothing fastener accessory as it may be applied over the female half of a snap button, the ghost lines are for the purpose of illustrating environment only; and,

FIG. 6 is a bottom view of the clothing fastener accessory shown in FIG. 5 as it attaches over the anchor portion of the snap button, the ghost lines are again for the purpose of illustrating the environment.

1 Claim, 1 Drawing Sheet



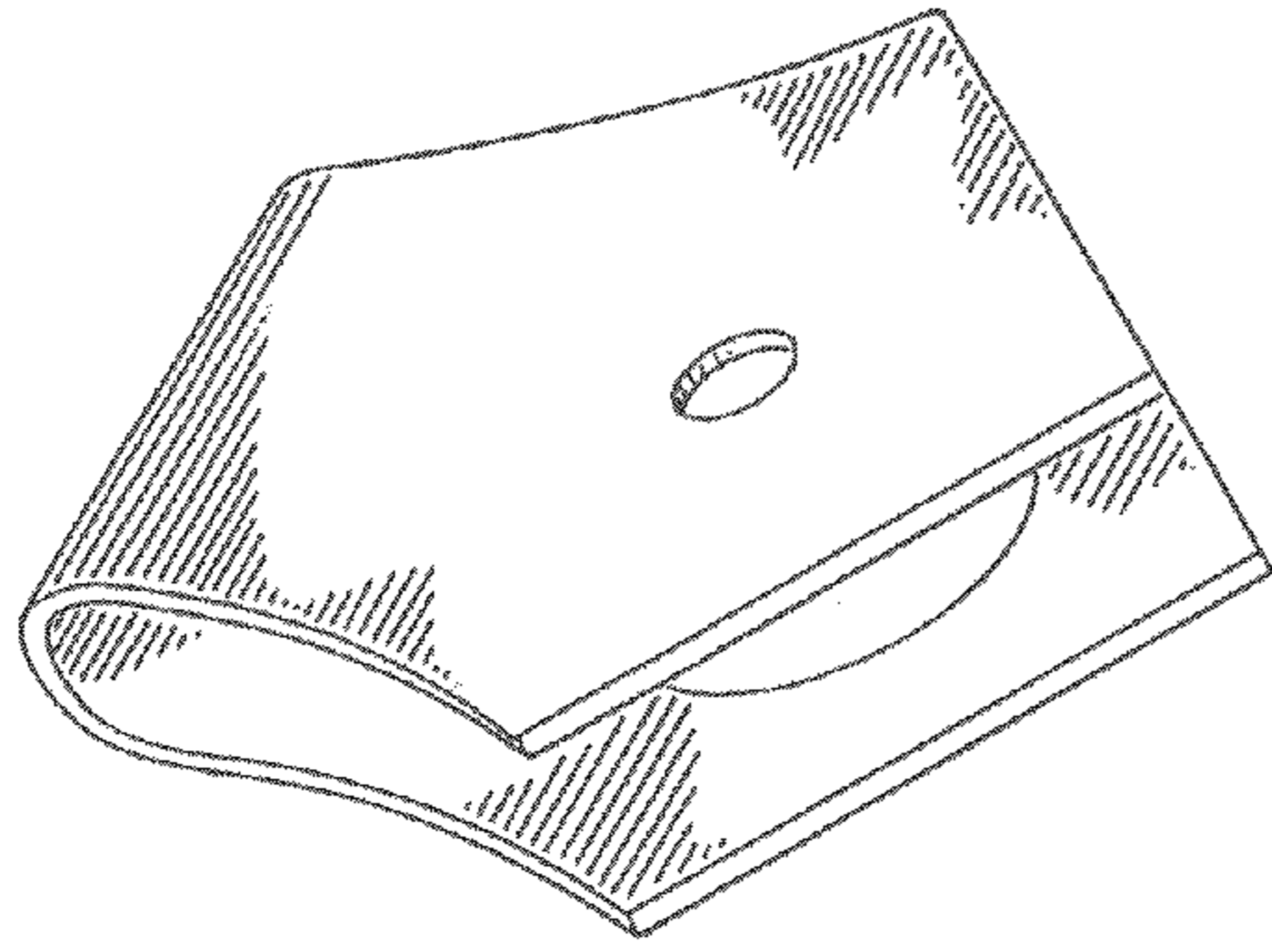


FIG.-1

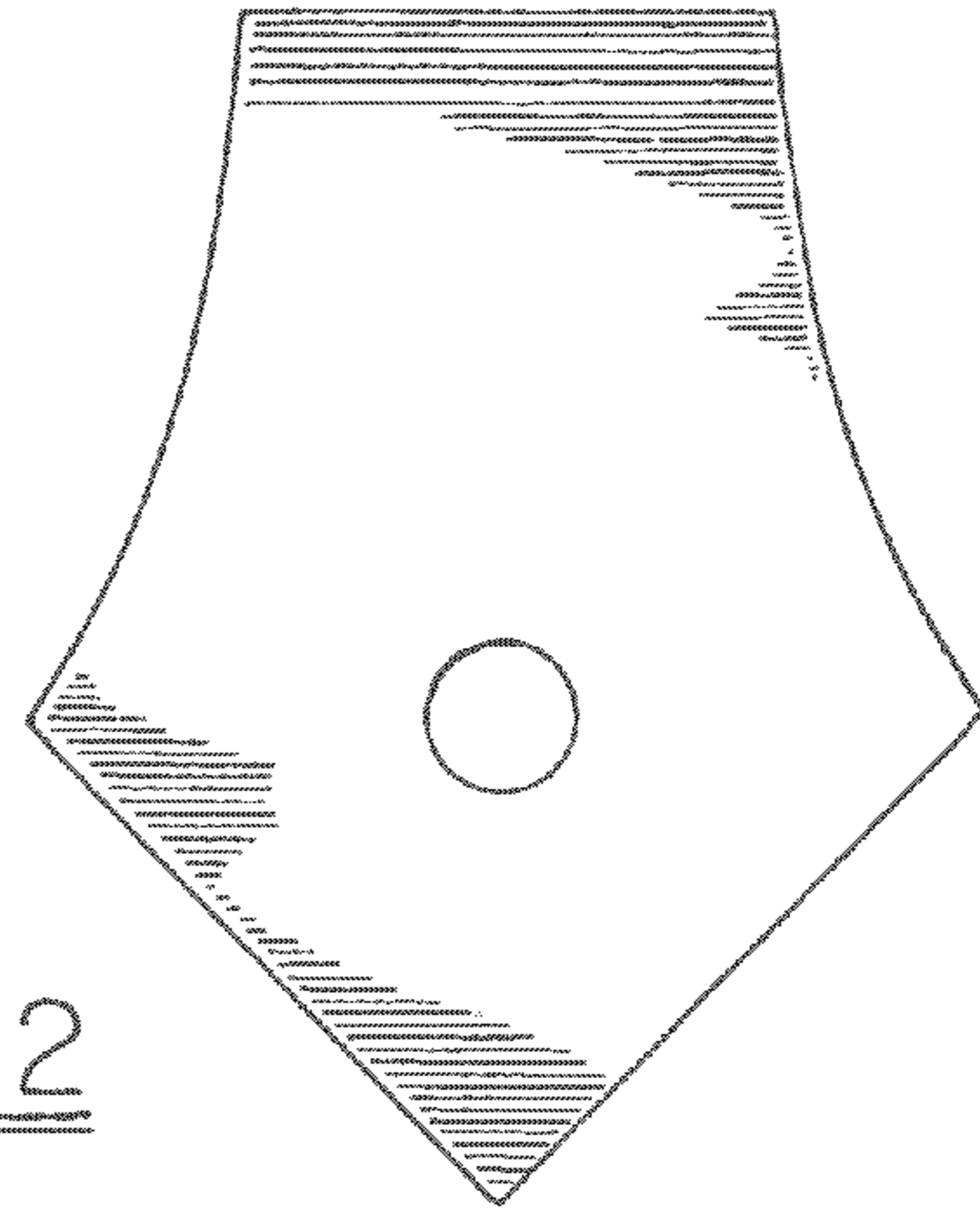


FIG.-2

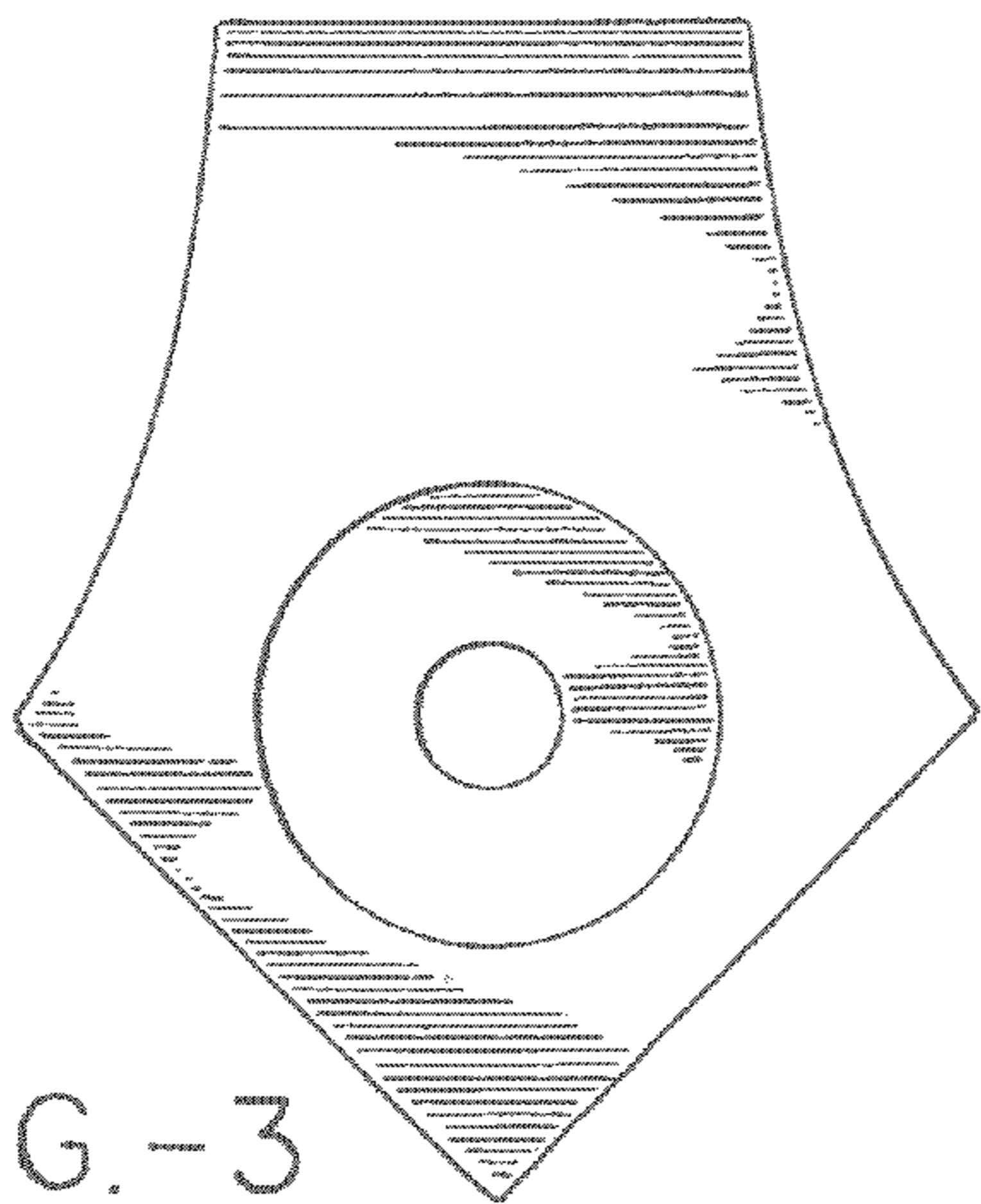


FIG.-3

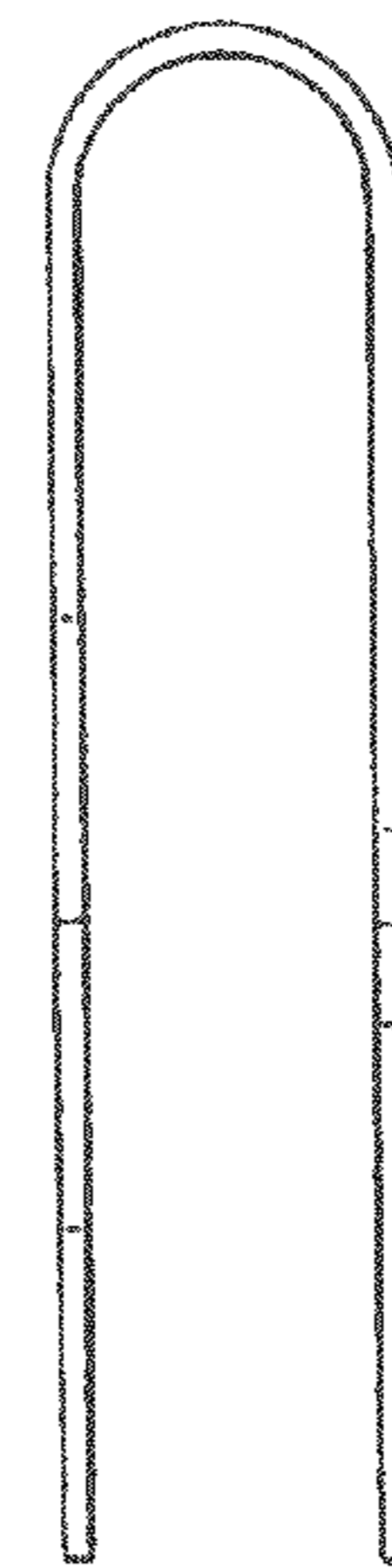


FIG.-4

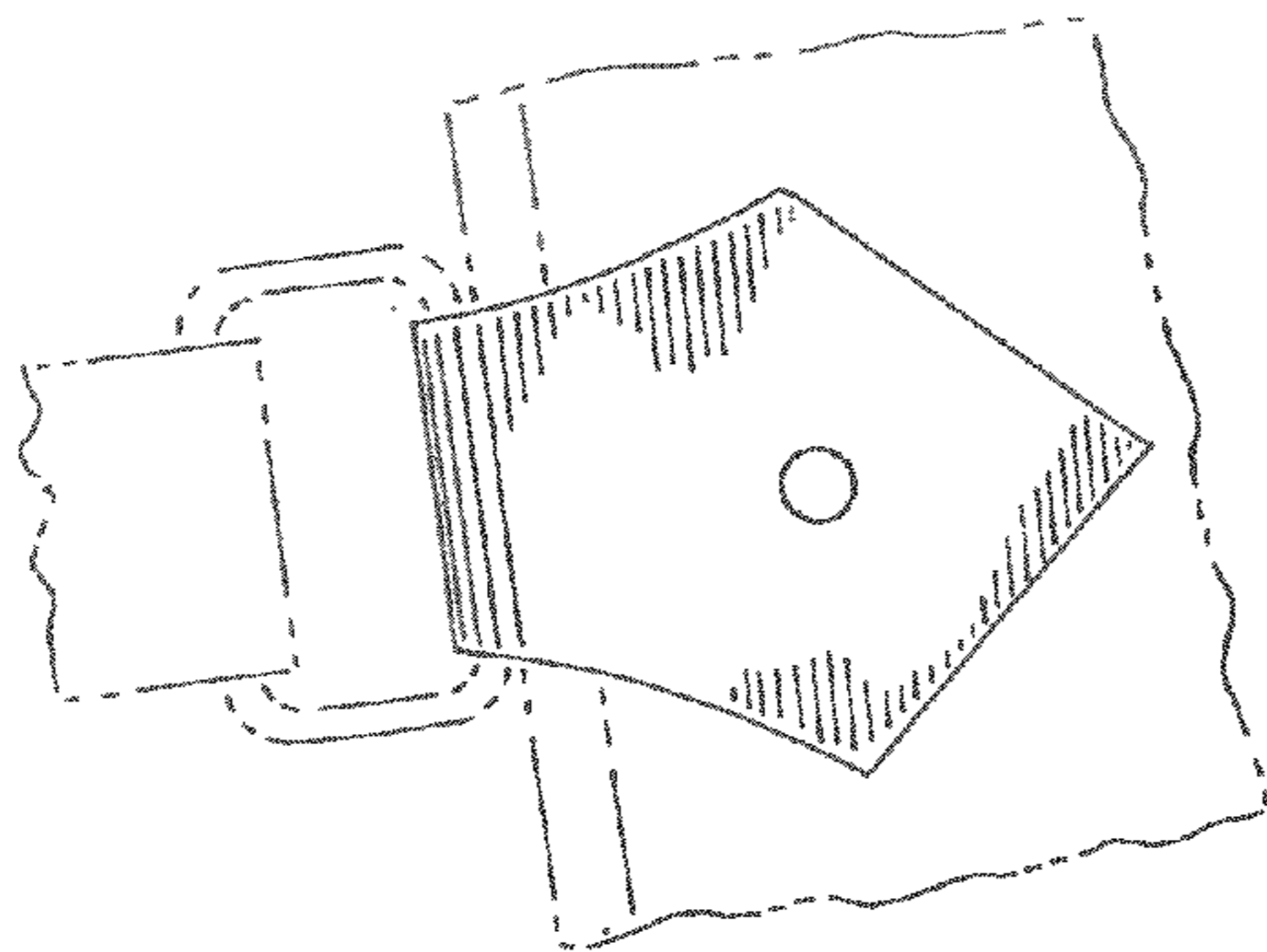


FIG.-5

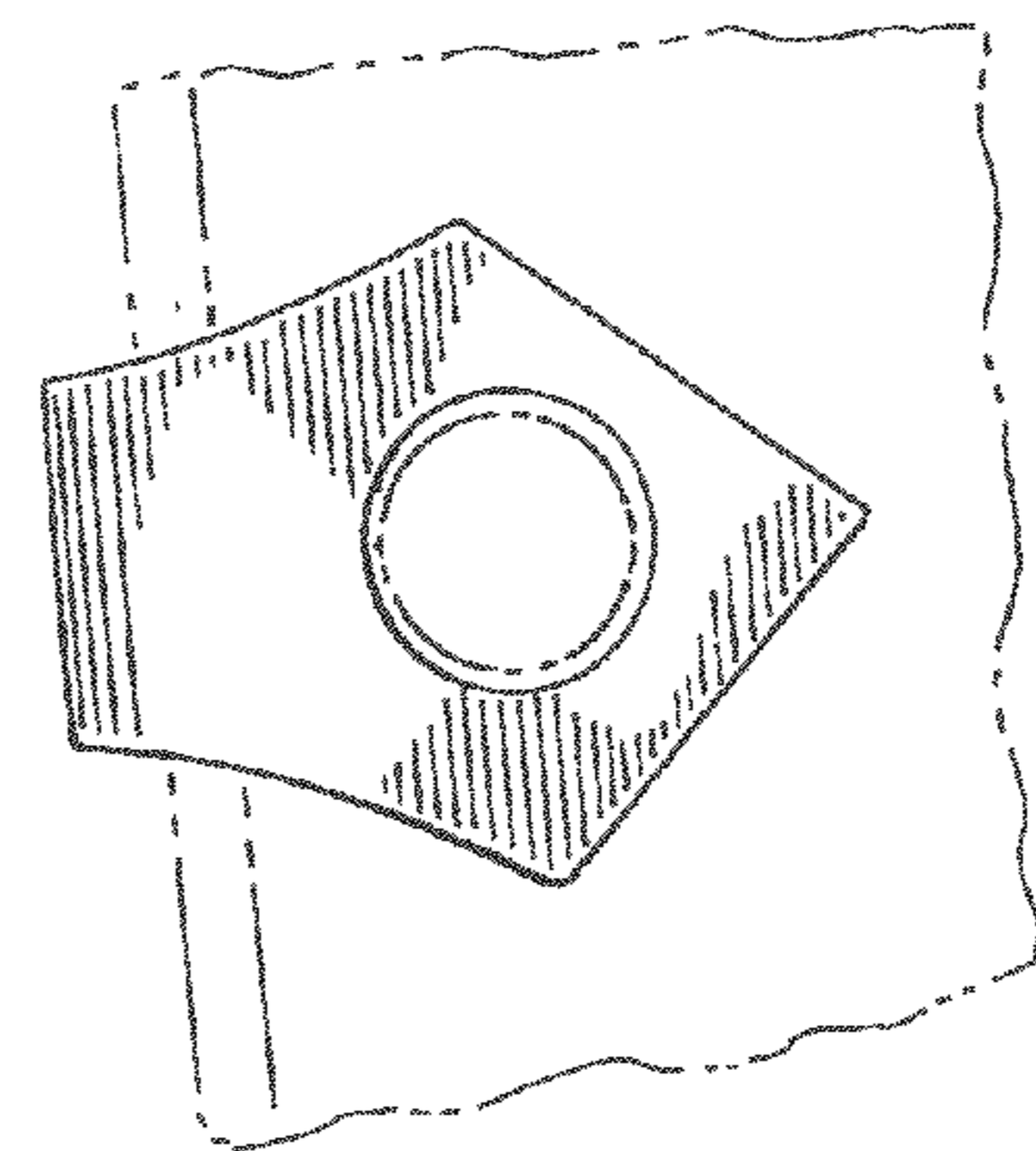


FIG.-6