



US00D703572S

(12) **United States Design Patent**
Walker et al.

(10) **Patent No.:** **US D703,572 S**
(45) **Date of Patent:** **** Apr. 29, 2014**

(54) **BADGE OR PIN**

(75) Inventors: **Kelly Walker**, Randwick (AU); **Grant Alan Walker**, Randwick (AU)

(73) Assignee: **Bluescape Investments Pty Limited**, Chatswood, NSW (AU)

(**) Term: **14 Years**

(21) Appl. No.: **29/403,427**

(22) Filed: **Oct. 6, 2011**

(30) **Foreign Application Priority Data**

Apr. 6, 2011 (AU) 11500/2011

(51) **LOC (10) Cl.** **11-01**

(52) **U.S. Cl.**
USPC **D11/47; D11/40**

(58) **Field of Classification Search**
USPC D11/200, 202, 206, 207, 214, 215, 230,
D11/228, 234, 40-53, 87; 63/12, 14.1-14.8,
63/20; 24/620, 624, 582.12, 582.13,
24/587.11, 591.1, 592.11, 598.1, 598.5,
24/616

See application file for complete search history.

(56) **References Cited**

U.S. PATENT DOCUMENTS

796,480 A * 8/1905 Weel 24/711.4
1,177,893 A * 4/1916 Paye 63/26
1,184,369 A * 5/1916 Mote 24/706.6
D70,813 S * 8/1926 Walz D11/95
1,658,573 A * 2/1928 Roper et al. 40/1.5
D204,857 S * 5/1966 Drake D11/206
3,357,063 A * 12/1967 Eiben 24/66.6
3,563,056 A * 2/1971 Noel 63/12

D269,768 S * 7/1983 Terry D11/47
4,593,540 A * 6/1986 Cuvar et al. 63/12
4,771,613 A * 9/1988 Grier et al. 63/12
4,829,788 A * 5/1989 DiDomenico 63/12
D311,154 S * 10/1990 Das D11/48
4,974,430 A * 12/1990 Turner 63/12
5,048,311 A * 9/1991 Mastrobuono 63/12
D326,434 S * 5/1992 Levy D11/222
5,170,641 A * 12/1992 DiDomenico 63/1.17
5,456,094 A * 10/1995 Greenwald 63/12
D366,113 S * 1/1996 Morgan D24/145
5,582,037 A * 12/1996 DiDomenico 63/12
D396,660 S * 8/1998 Ricci D11/222
5,893,278 A * 4/1999 Float et al. 63/12
6,584,656 B1 * 7/2003 Karmeli 24/705
D484,398 S * 12/2003 Mariconti et al. D8/388
D492,619 S * 7/2004 Udolph et al. D11/200

(Continued)

Primary Examiner — Garth Rademaker

Assistant Examiner — Melanie Pellegrini

(74) *Attorney, Agent, or Firm* — James Creighton Wray

(57) **CLAIM**

The design for a badge or pin, as shown and described.

DESCRIPTION

FIG. 1 is a top perspective view of the badge or pin.

FIG. 2 is a bottom perspective view of the badge or pin shown in FIG. 1.

FIG. 3 is a top view of the badge or pin.

FIG. 4 is a front view of the badge or pin, the rear view is a mirror image thereof.

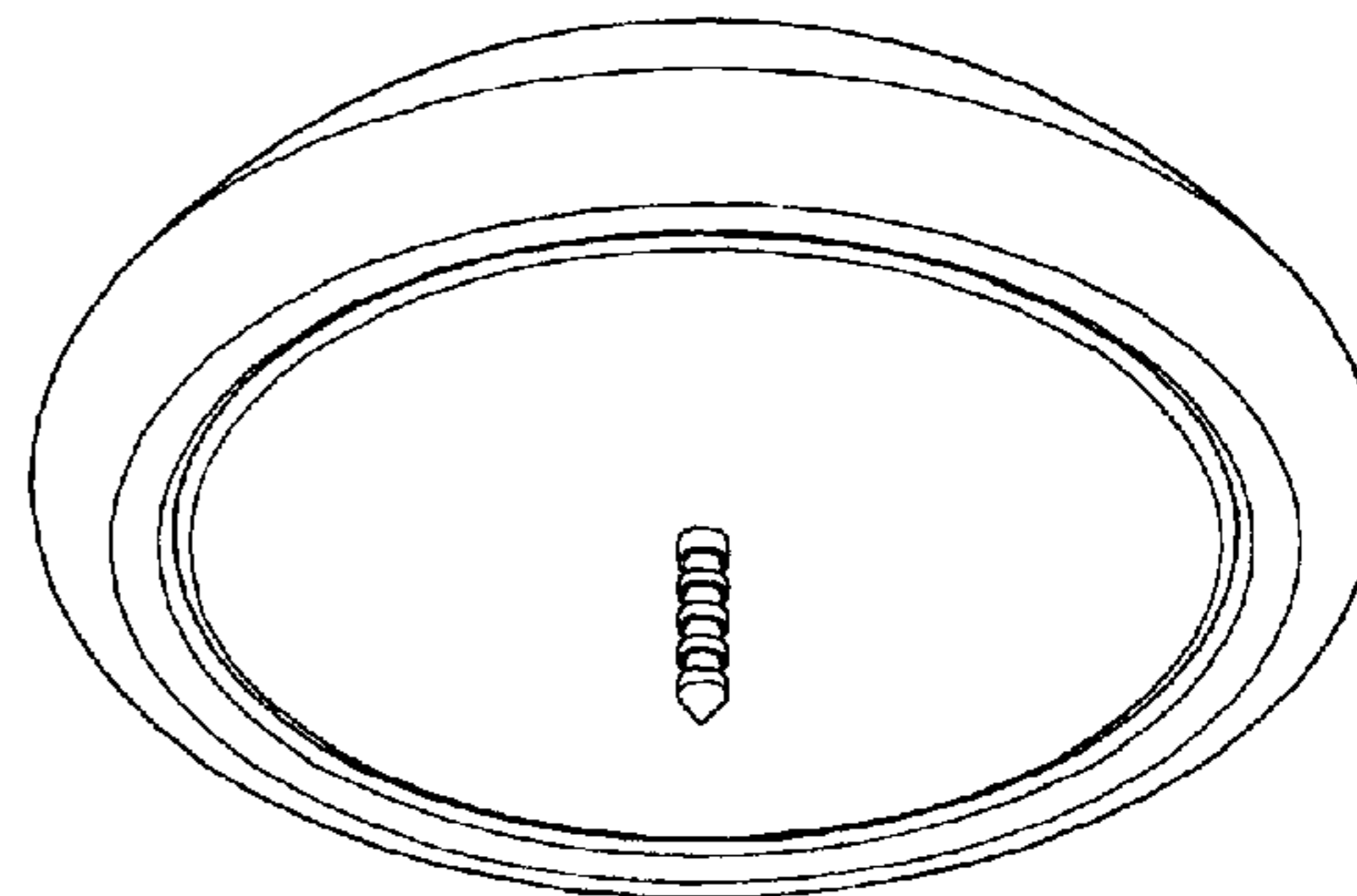
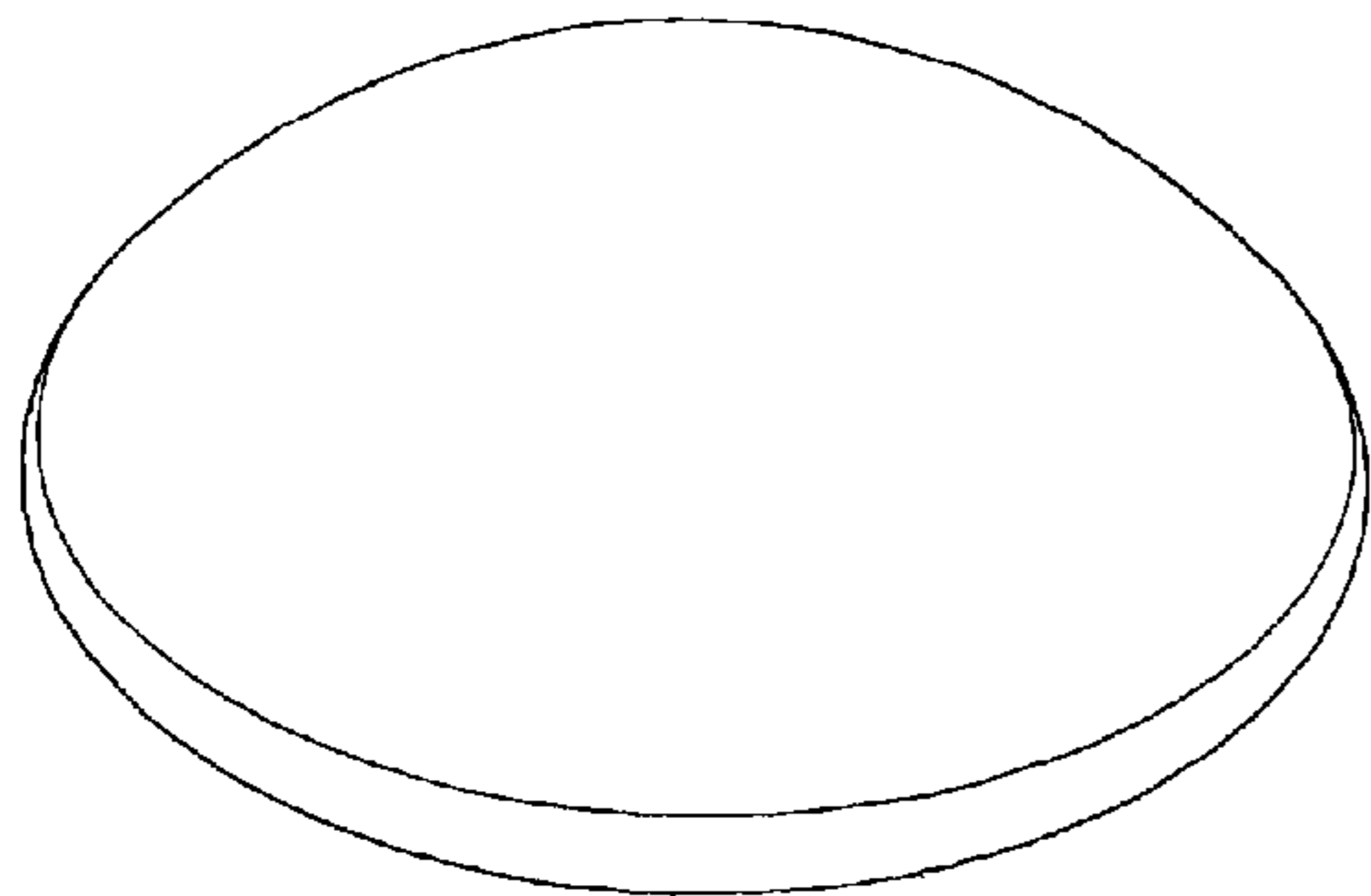
FIG. 5 is a bottom view of the badge or pin.

FIG. 6 is a right side view of the badge or pin; and,

FIG. 7 is a left side view of the badge or pin.

The back view of the badge or pin is substantially identical to the front view shown in FIG. 4.

1 Claim, 4 Drawing Sheets



(56)

References Cited

U.S. PATENT DOCUMENTS

D508,432 S * 8/2005 Cogoli et al. D11/222
7,013,675 B2 * 3/2006 Marquez-Pickering 63/12
D547,236 S * 7/2007 Arasheben et al. D11/222

D602,990 S * 10/2009 Magera D20/22
2005/0183453 A1 * 8/2005 Taussig et al. 63/20
2008/0221533 A1 * 9/2008 Matityahu 604/290
2012/0240623 A1 * 9/2012 Morse 63/13

* cited by examiner

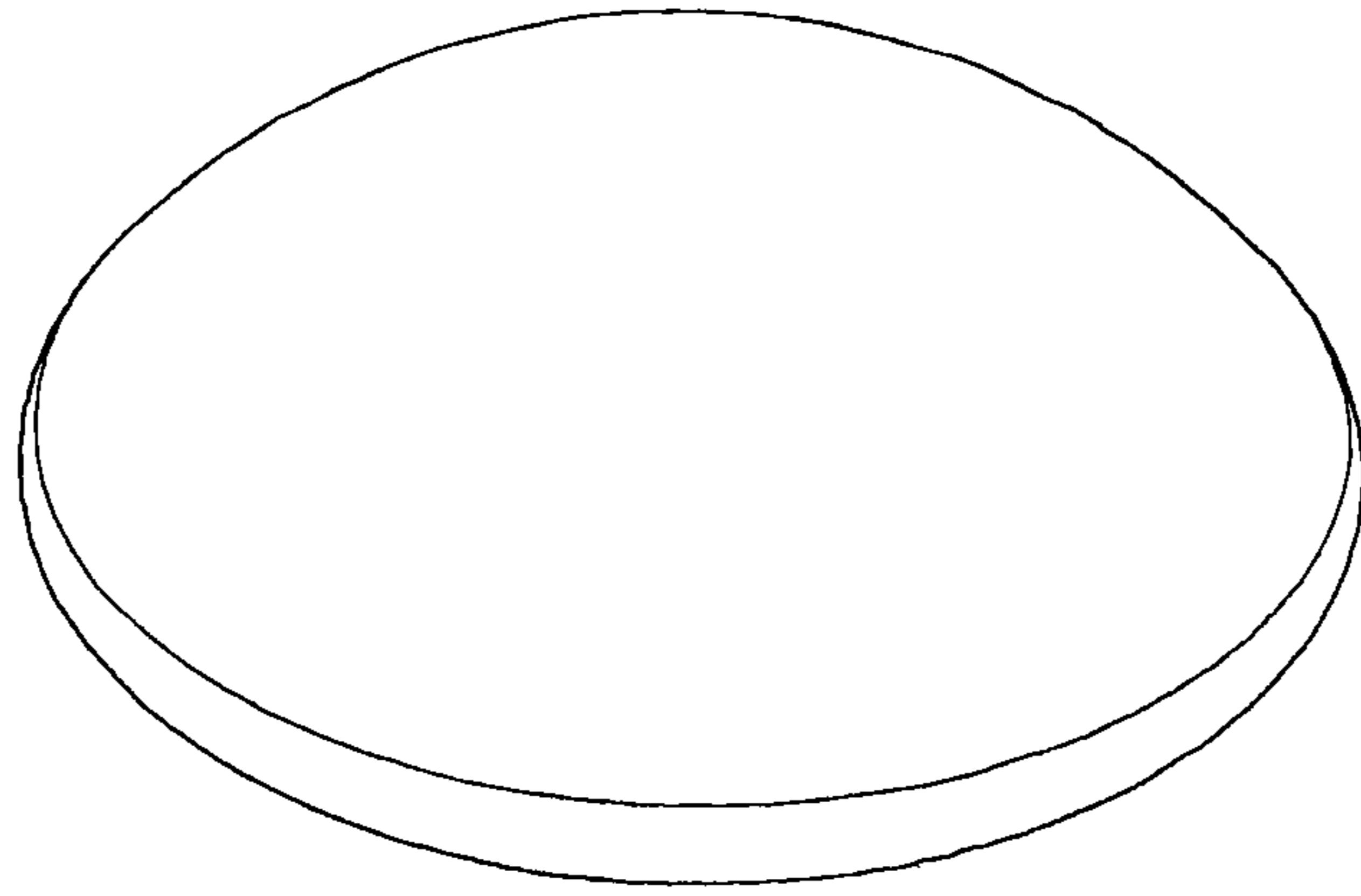


FIG. 1

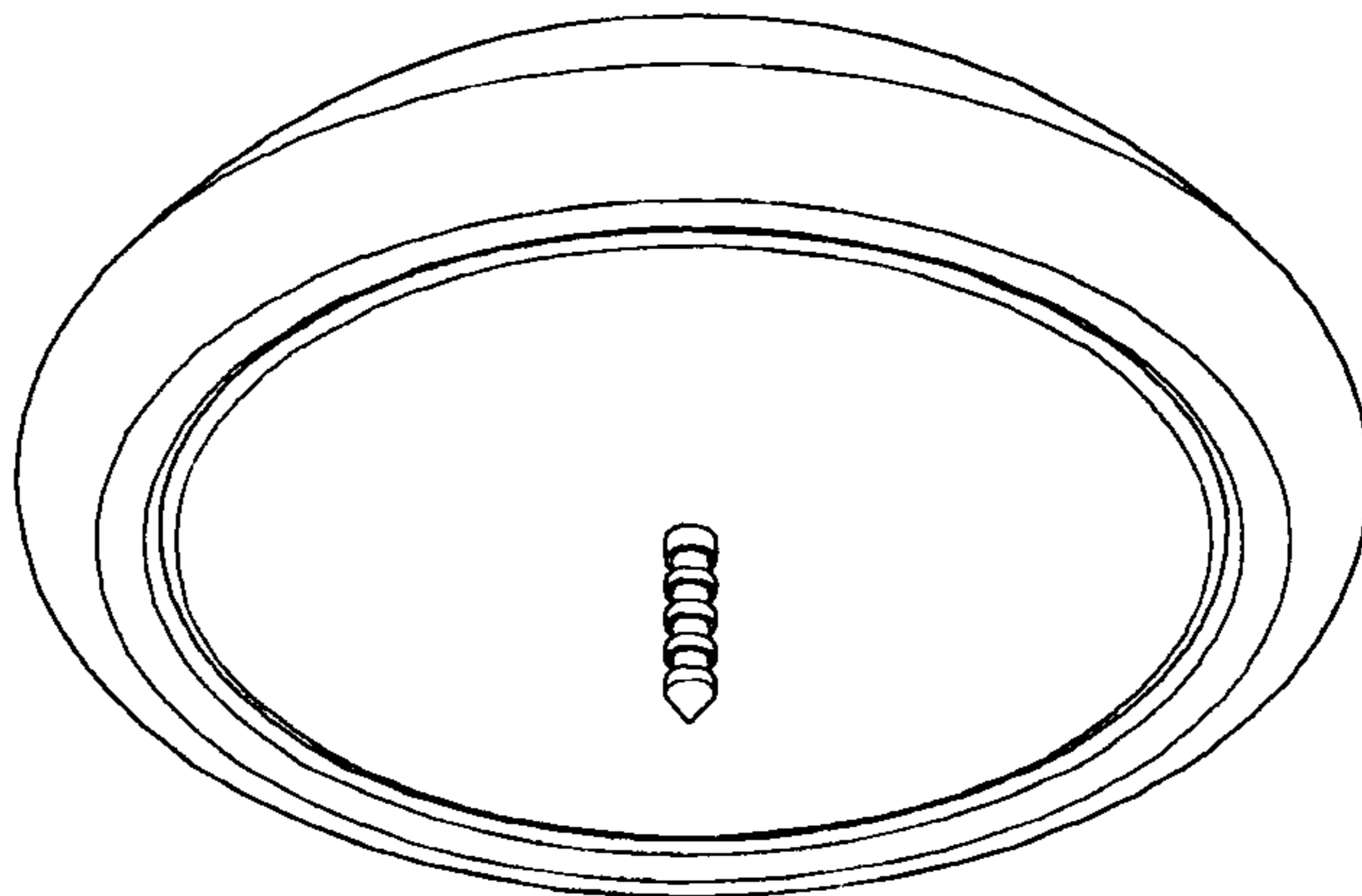


FIG. 2

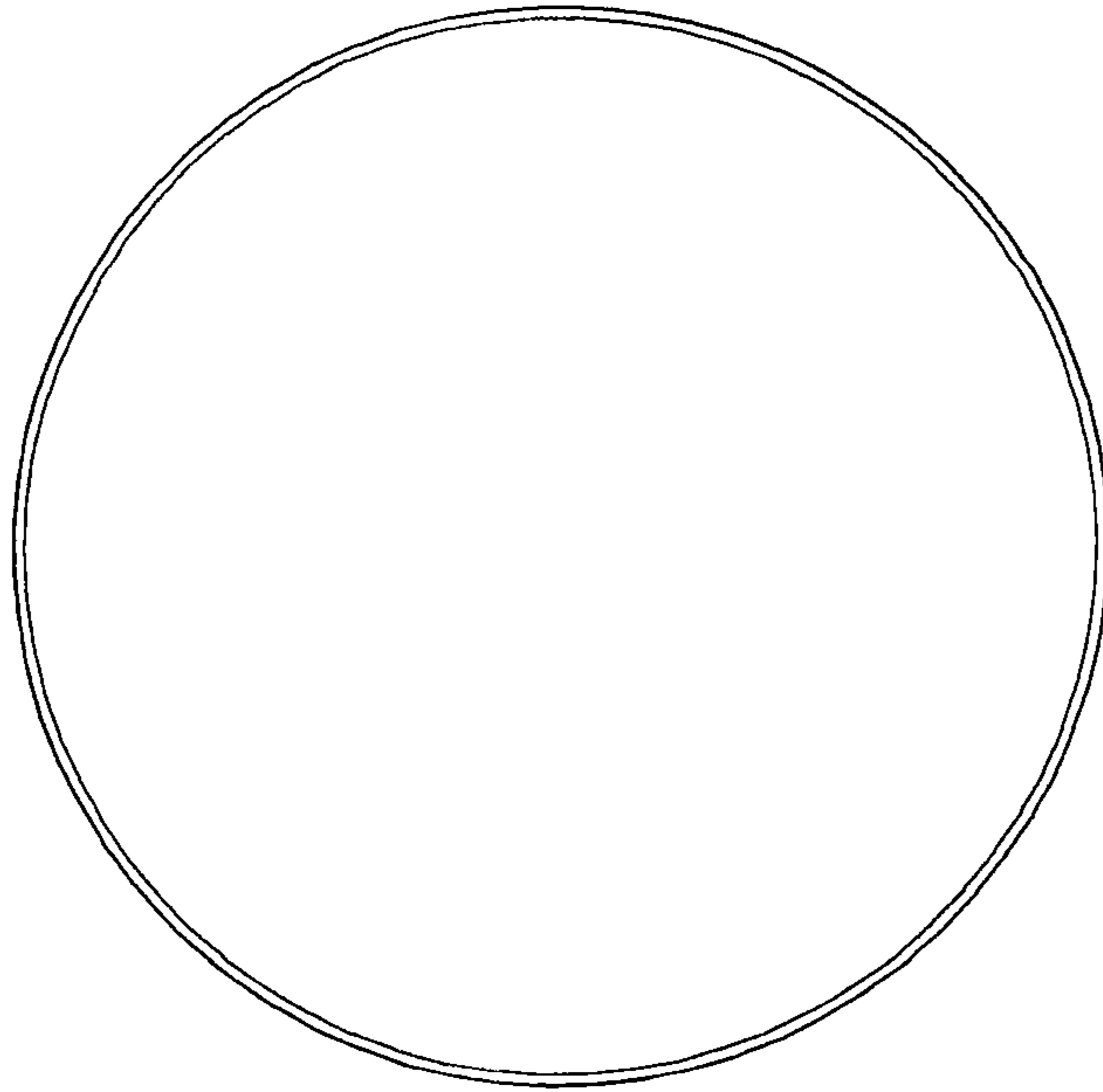


FIG. 3

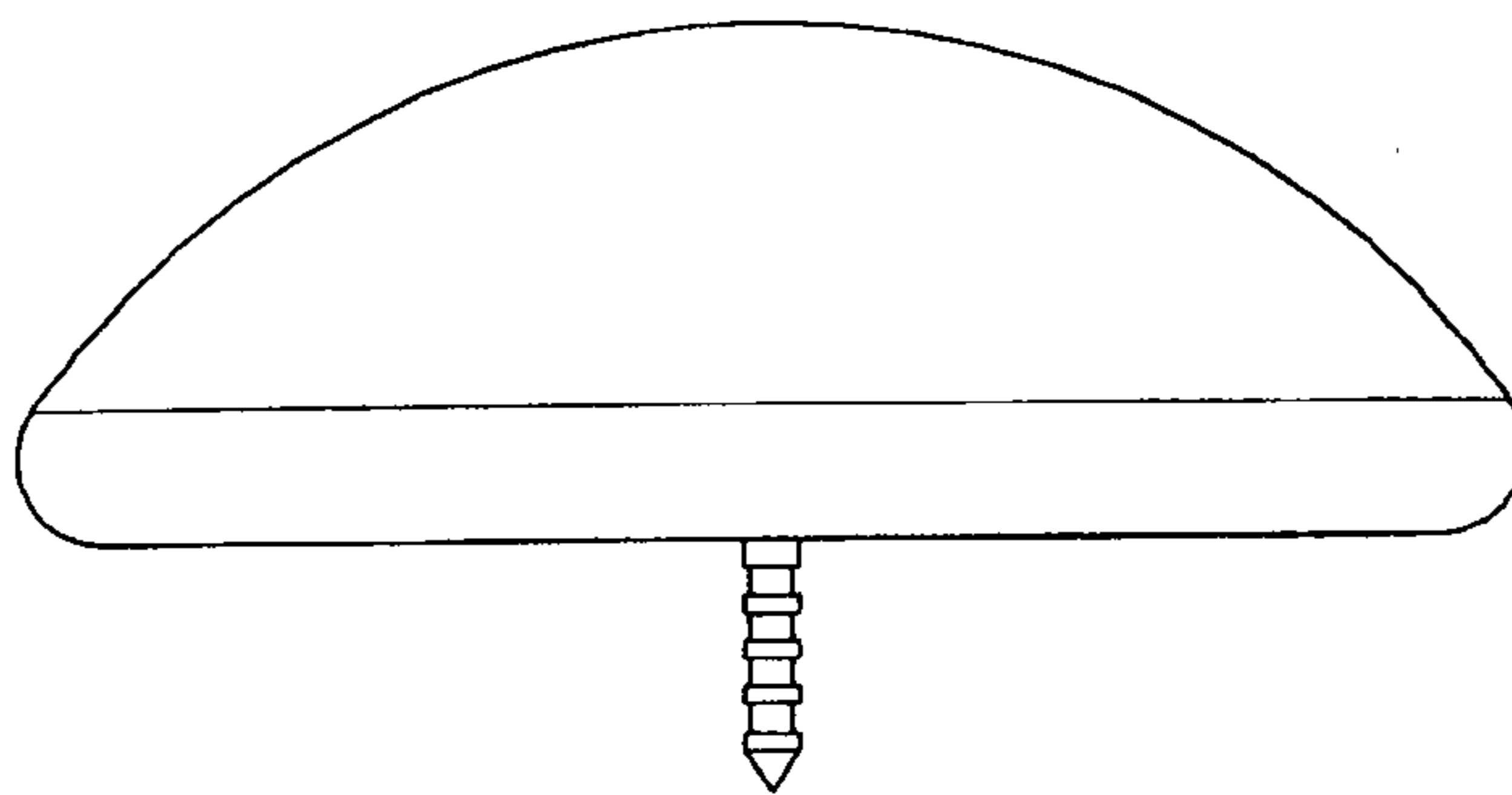


FIG. 4

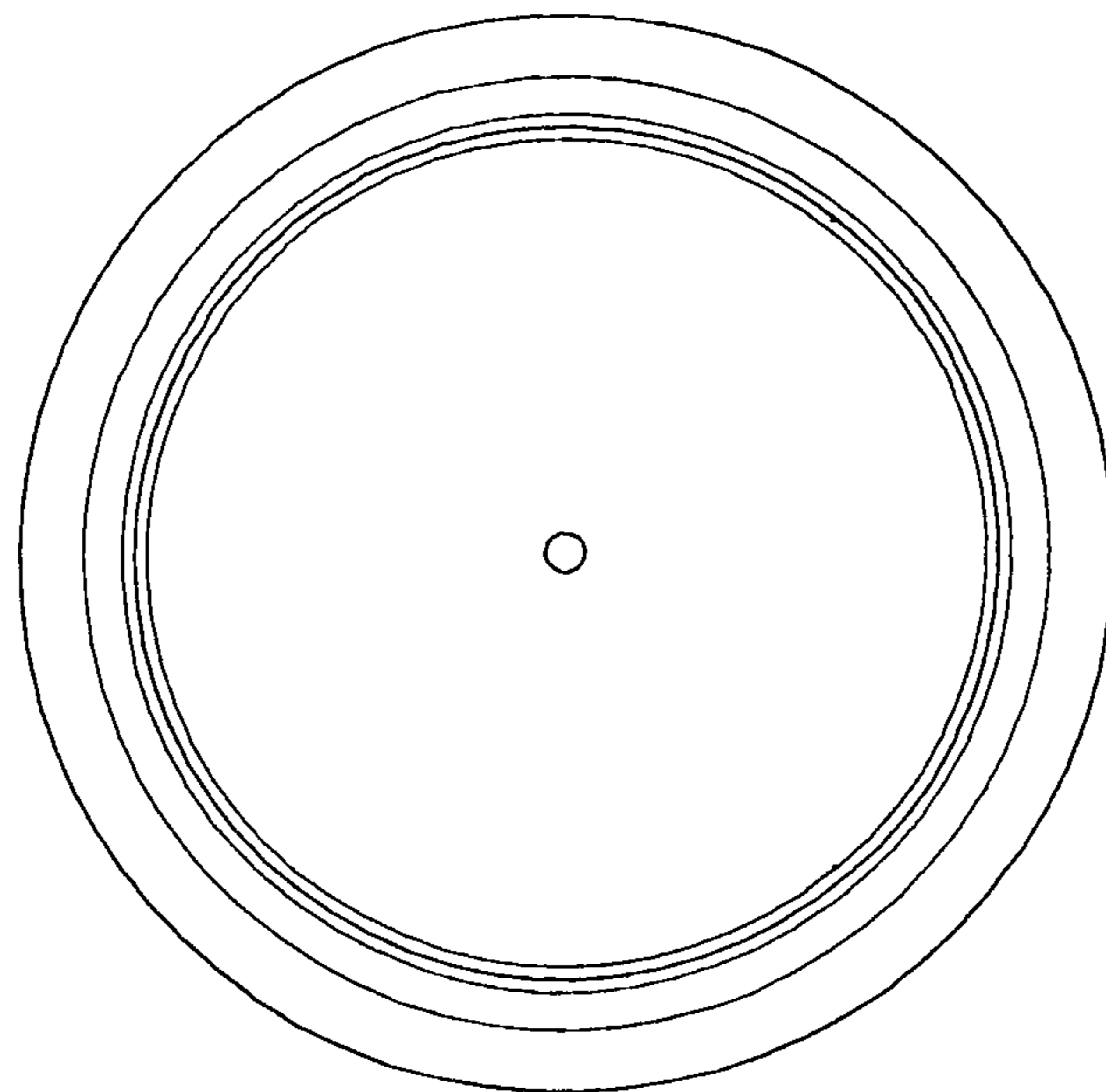


FIG. 5

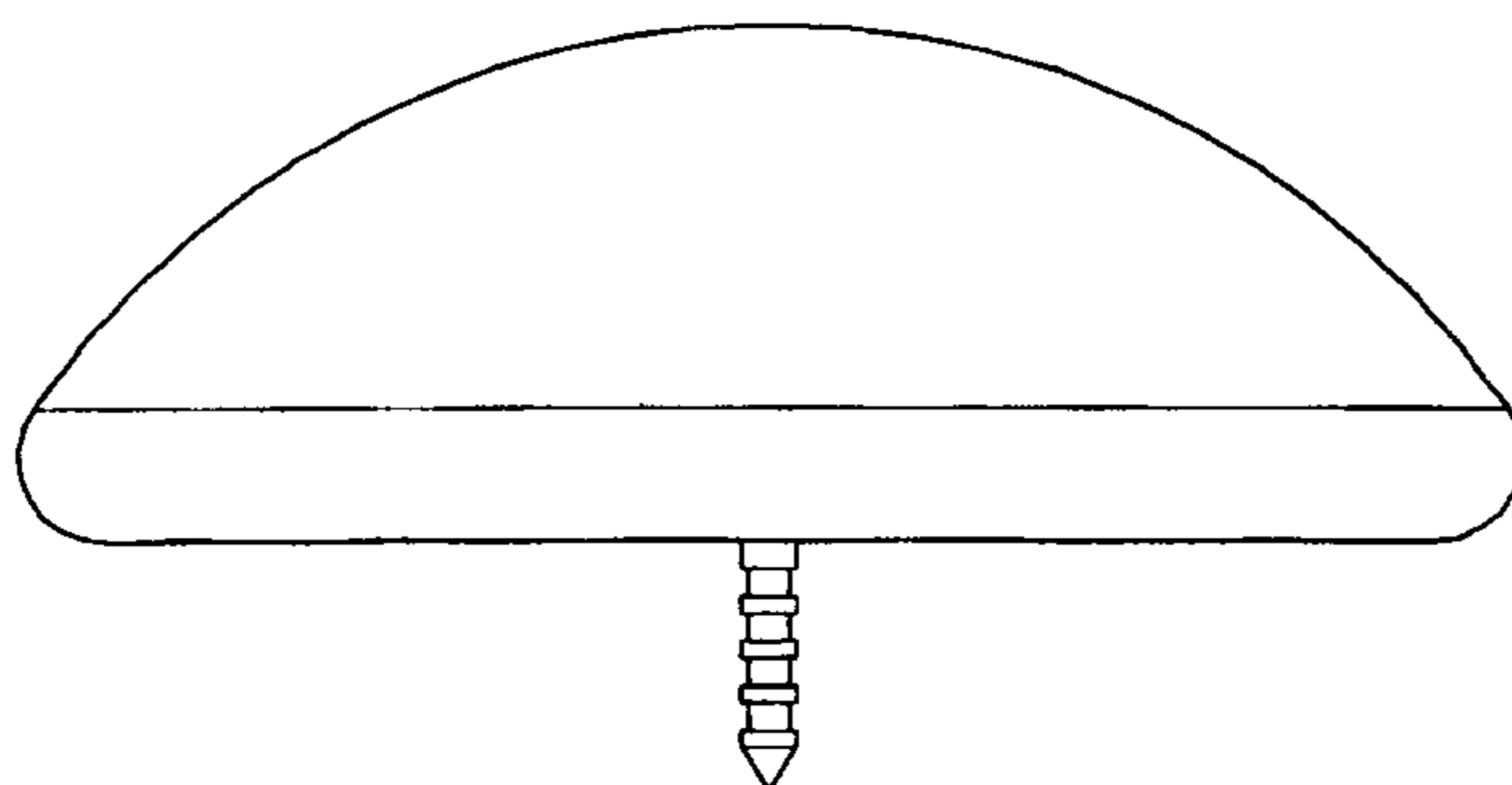


FIG. 6

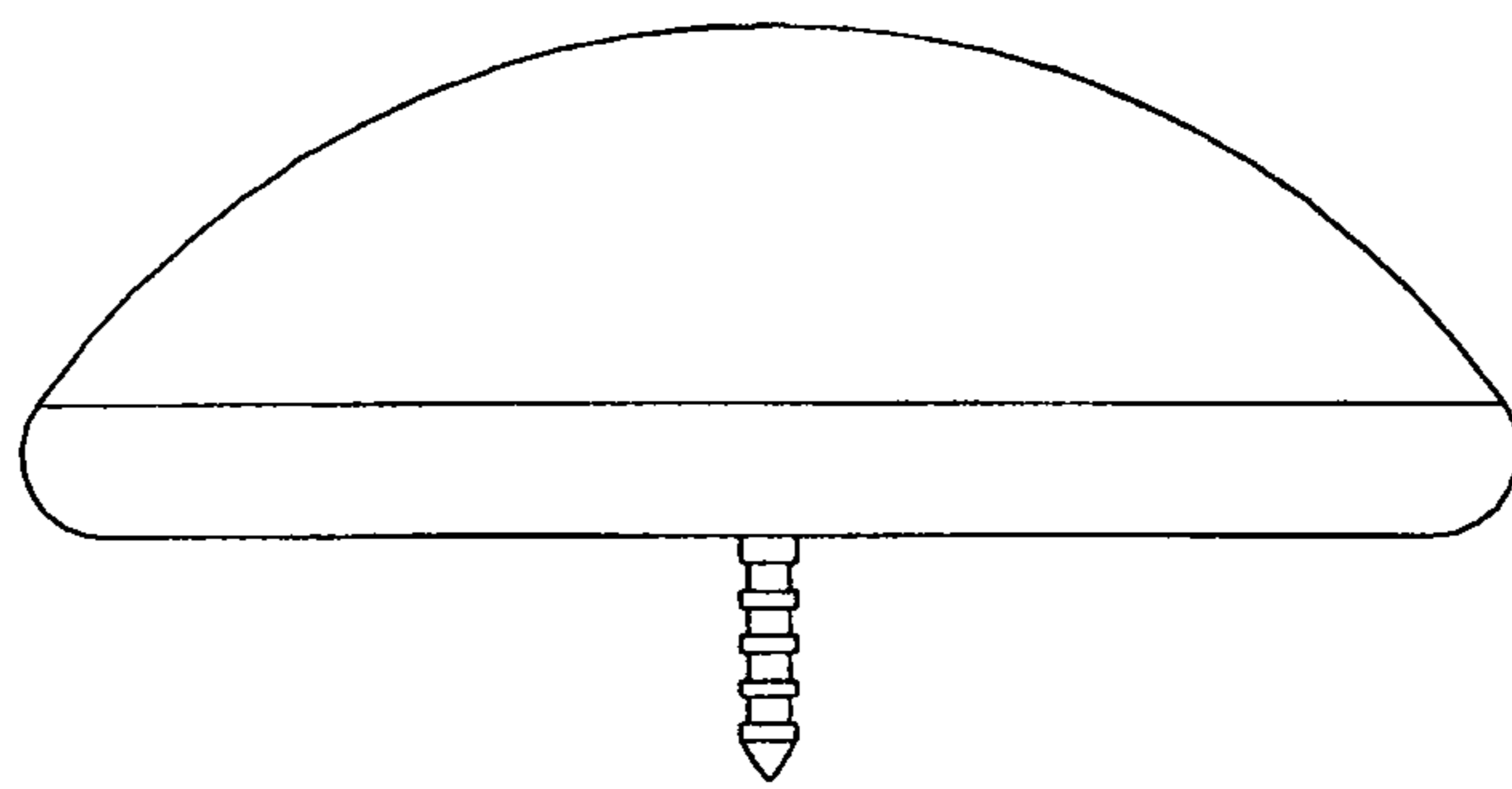


FIG. 7