



US00D703571S

(12) **United States Design Patent**  
**Goodman**

(10) **Patent No.:** **US D703,571 S**  
(45) **Date of Patent:** **\*\* Apr. 29, 2014**

(54) **WATCH CHAIN**

(75) **Inventor:** **Chris Goodman**, Ladera Ranch, CA  
(US)

(73) **Assignee:** **Oakley, Inc.**, Foothill Ranch, CA (US)

(\*\*) **Term:** **14 Years**

(21) **Appl. No.:** **29/387,871**

(22) **Filed:** **Mar. 18, 2011**

(51) **LOC (10) Cl.** ..... **10-07**

(52) **U.S. Cl.**

USPC ..... **D10/128**; D11/93

(58) **Field of Classification Search**

USPC ..... D10/30, 31, 37, 128, 132, 32; 368/276,  
368/283, 286; D3/207-212; D11/2, 3, 12,  
D11/15, 17, 93, 86; 63/4, 38; 24/3.13,  
24/116 R, 299, 905; 59/80, 82  
See application file for complete search history.

(56) **References Cited**

**U.S. PATENT DOCUMENTS**

23,303	A *	3/1859	Lancelott	59/80
D13,714	S *	3/1883	Ballou	D11/15
431,804	A *	7/1890	Edge	59/80
843,050	A	2/1907	Wallerstedt	
892,965	A *	7/1908	Sevcik	474/224
896,865	A *	8/1908	Speidel	59/79.3
D50,558	S	4/1917	Levi	
D51,182	S	8/1917	Lederer	
D51,298	S	9/1917	Brown	
1,456,181	A *	5/1923	Evans	152/242
1,657,559	A	1/1928	Taylor	
D78,900	S *	7/1929	Saccoccia	D11/17
1,729,578	A *	9/1929	Gogan	24/3.13
2,143,703	A	12/1937	Kestenman	
D108,707	S *	3/1938	Scheuer	D11/12
2,159,223	A *	5/1939	Okun	24/3.6
D129,522	S *	9/1941	Chernow	D11/15

D136,341	S	9/1943	Oupin	
D162,110	S *	2/1951	Armhurst	D11/18
2,549,335	A *	4/1951	Rahthus	59/83
2,549,650	A *	4/1951	Weinacker et al.	59/80
2,954,665	A	10/1960	Panerai et al.	
D202,284	S *	9/1965	Hartman	D11/17
D224,602	S	8/1972	Poon	
D246,830	S	1/1978	Lossini	
D247,103	S	1/1978	Lossini	
4,151,708	A *	5/1979	Smetz	59/93
D279,172	S	6/1985	Hysek	

(Continued)

**OTHER PUBLICATIONS**

U.S. Appl. No. 29/314,126, filed Mar. 4, 2009, Goodman.

*Primary Examiner* — Lucy Lieberman

(74) *Attorney, Agent, or Firm* — Knobbe Martens Olson & Bear, LLP

(57) **CLAIM**

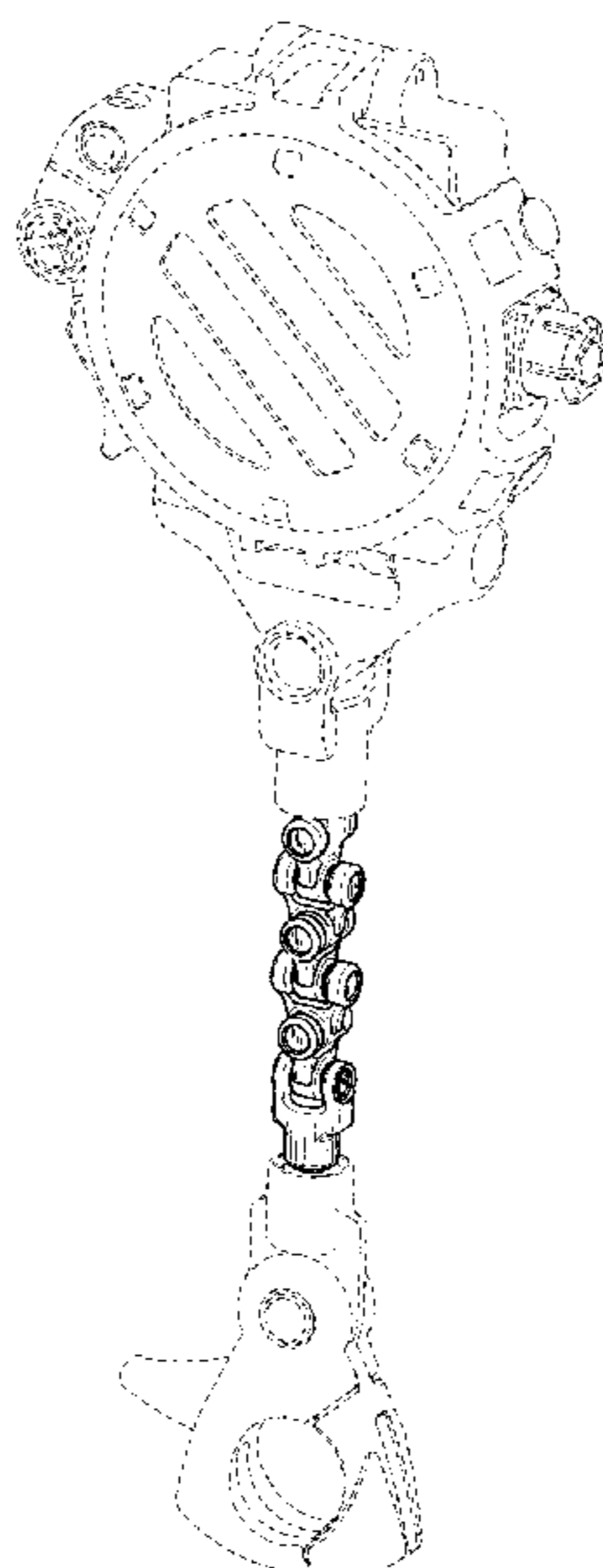
The ornamental design for a watch chain, as shown and described.

**DESCRIPTION**

FIG. 1 is a front perspective view of a watch chain of the present invention; FIG. 2 is a front elevational view of the watch chain of FIG. 1; FIG. 3 is a rear elevational view of the watch chain of FIG. 1; FIG. 4 is a right side elevational view of the watch chain of FIG. 1; and, FIG. 5 is a left side elevational view of the watch chain of FIG. 1.

The broken lines in FIG. 1 show an unclaimed watch and portions of the watch chain that do not form part of the claimed design. The broken lines in FIGS. 2 through 5 show portions of the watch chain that do not form part of the claimed design.

**1 Claim, 3 Drawing Sheets**



(56)

References Cited

U.S. PATENT DOCUMENTS

D284,745 S	7/1986	Minkowitz	
D292,144 S *	10/1987	McClure .....	D3/211
D294,683 S	3/1988	Perrin	
D294,806 S	3/1988	Perrin	
D295,841 S	5/1988	Kano	
D296,994 S	8/1988	Lauper	
D301,986 S	7/1989	Hysek	
D303,997 S *	10/1989	Grossiord .....	D3/211
D314,710 S	2/1991	Weil	
D314,726 S *	2/1991	Lauper .....	D11/12
D315,514 S	3/1991	Weil	
D316,050 S	4/1991	Weil	
D318,237 S	7/1991	Hysek	
5,363,640 A *	11/1994	Schick .....	59/80
D366,627 S *	1/1996	Eddy .....	D11/17
5,540,367 A	7/1996	Kauker	
D372,356 S *	8/1996	Marguerite .....	D3/209
D378,062 S	2/1997	Bulgari	
D383,083 S	9/1997	Ludvig	
D386,123 S *	11/1997	Fletcher .....	D3/211
D392,902 S	3/1998	Mouawad	
5,828,541 A	10/1998	Wu	
D402,104 S	12/1998	Kauker et al.	
5,906,032 A *	5/1999	Fredriksson .....	24/116 R
6,094,903 A *	8/2000	Aellen .....	59/82
D431,475 S	10/2000	Rabassa	
D435,766 S *	1/2001	Kingsley .....	D8/29
D438,813 S	3/2001	Yellen	
D441,184 S *	5/2001	Haapala .....	D3/207
D445,039 S	7/2001	Finkay	
D448,653 S	10/2001	Kauker	
D452,175 S	12/2001	Finazzi	
D455,355 S	4/2002	Chan	
D460,698 S *	7/2002	Jamin .....	D10/32
D474,980 S	5/2003	Finkay	
D478,011 S	8/2003	Cooper	
D481,202 S *	10/2003	Hardy .....	D3/207
D481,967 S	11/2003	Cohen	
D493,118 S *	7/2004	Neri .....	D11/13
D494,071 S	8/2004	Falkenstein et al.	
D505,337 S	5/2005	Cooper	
D519,854 S	5/2006	Modolo	
D539,169 S	3/2007	Falkenstein et al.	
D556,604 S	12/2007	Yee et al.	
D557,619 S	12/2007	Moritz	
D563,802 S	3/2008	Loth	
D569,274 S	5/2008	Cooper	
D569,741 S	5/2008	Satou et al.	
D574,263 S	8/2008	Loth	
D574,692 S	8/2008	Cooper	
D574,734 S	8/2008	Loth	
D577,905 S *	10/2008	Hu .....	D3/207
D579,790 S	11/2008	Yee et al.	
D585,308 S	1/2009	Loth	
D585,768 S	2/2009	Loth	
D586,238 S	2/2009	Loth	
7,506,495 B2 *	3/2009	Cazzola .....	59/79.1
D590,728 S	4/2009	Moritz	
D595,156 S	6/2009	Yee	
7,546,753 B1 *	6/2009	Kim .....	70/456 R
D598,301 S	8/2009	Moritz	
D598,302 S	8/2009	Moritz	
D600,572 S	9/2009	Yee	
D610,473 S	2/2010	Thixton	
D612,761 S *	3/2010	Zander .....	D11/12
D622,619 S	8/2010	Goodman	
2005/0111308 A1	5/2005	Hosey	

\* cited by examiner

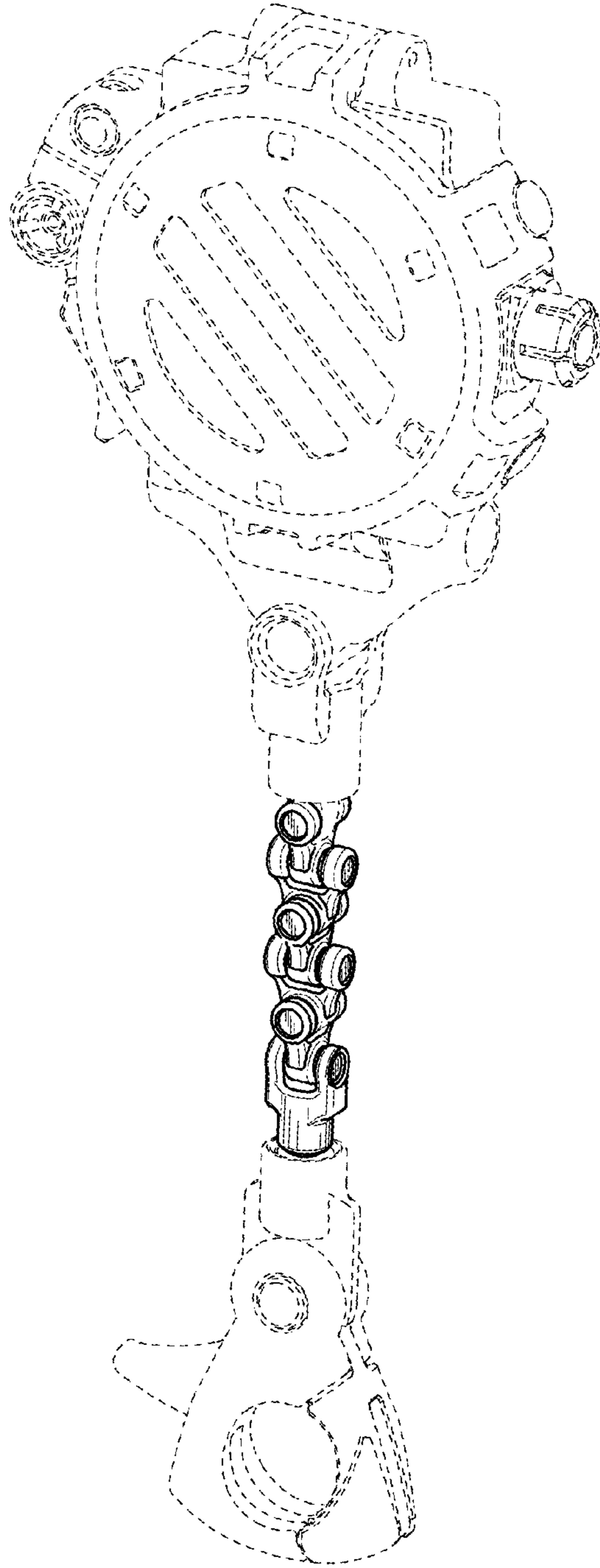


FIG. 1

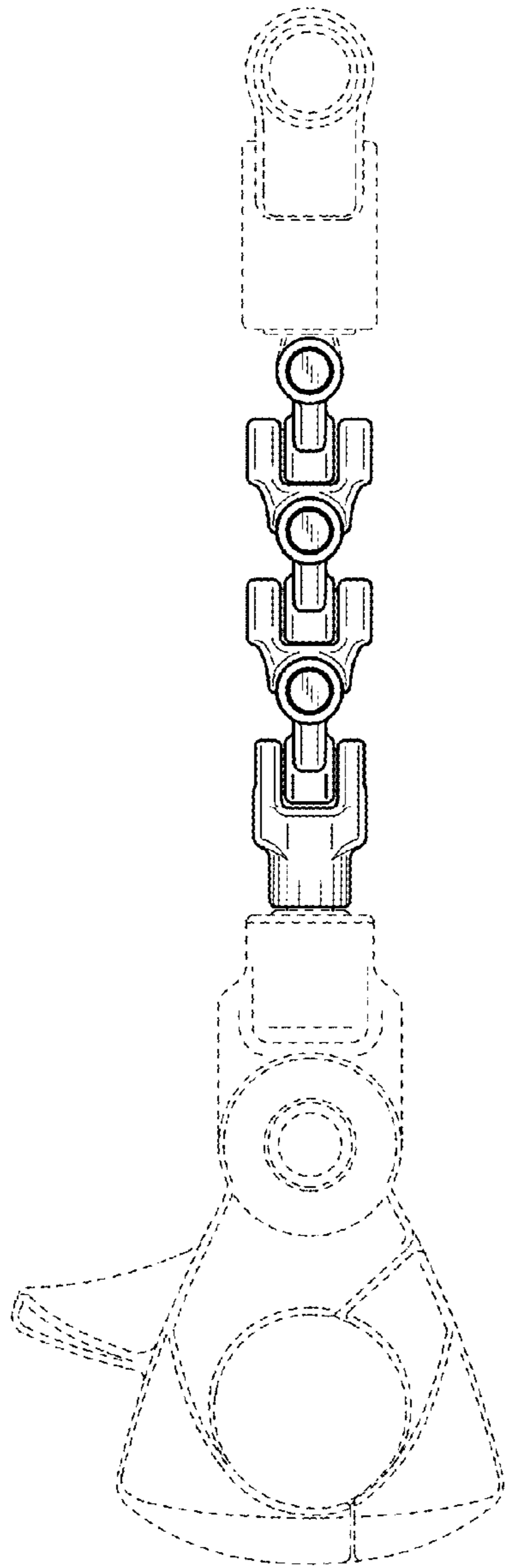


FIG. 2

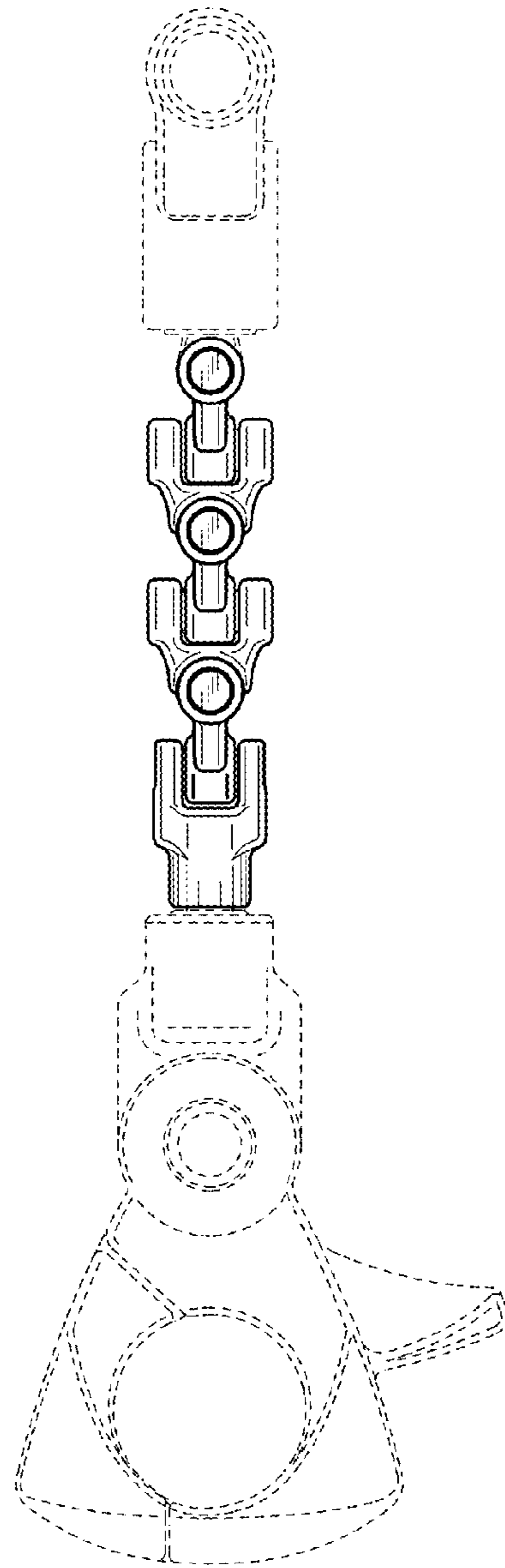


FIG. 3

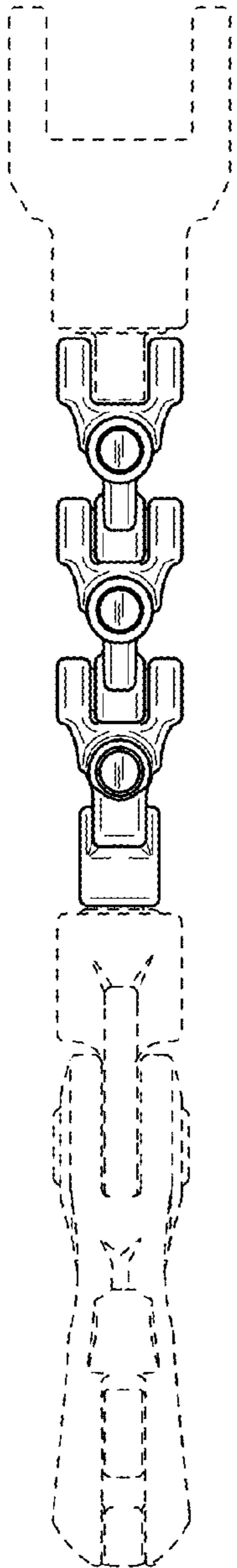


FIG. 4

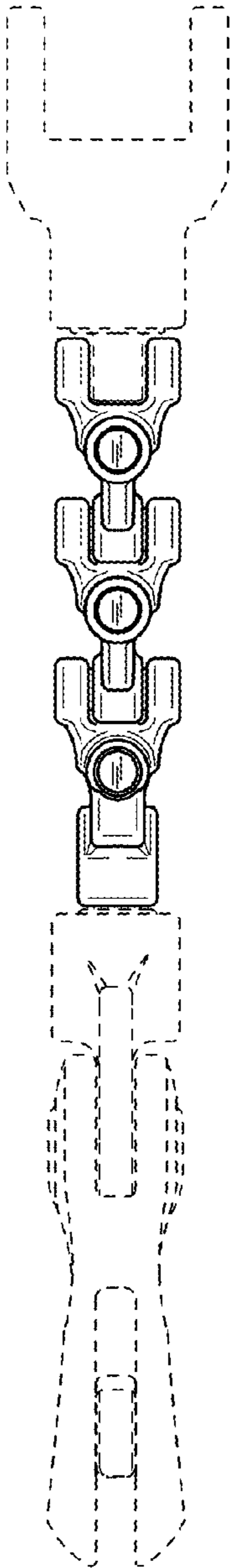


FIG. 5