



US00D703567S

(12) **United States Design Patent**  
**Coleman**

(10) **Patent No.:** **US D703,567 S**  
(45) **Date of Patent:** **\*\* Apr. 29, 2014**

(54) **EMERGENCY WHISTLE, FLASHLIGHT, AND COMPASS**

(71) Applicant: **Debbie Coleman**, Irvine, CA (US)

(72) Inventor: **Debbie Coleman**, Irvine, CA (US)

(73) Assignee: **Relief Pod International LLC**, Santa Ana, CA (US)

(\*\*) Term: **14 Years**

(21) Appl. No.: **29/449,572**

(22) Filed: **Mar. 15, 2013**

(51) **LOC (10) Cl.** ..... **10-05**

(52) **U.S. Cl.**  
USPC ..... **D10/119.2**

(58) **Field of Classification Search**  
USPC ..... D10/119.1–119.3; 446/193, 213,  
446/202–207; 368/14; 363/196, 353;  
116/137 R; 70/456 R

See application file for complete search history.

D463,591 S	9/2002	Shiu	
D464,482 S	10/2002	Shiu	
D466,422 S	12/2002	Luquire	
D468,655 S	1/2003	Meoli	
6,582,097 B2 *	6/2003	Chang	362/253
D485,058 S	1/2004	Shiu	
D490,551 S	5/2004	Kim	
D492,051 S	6/2004	Kim	
D495,443 S	8/2004	Kim	
D522,234 S	6/2006	Murphy	
D542,952 S	5/2007	Bhavnani	
D550,447 S	9/2007	Opolka	
D565,216 S	3/2008	Markell	
D598,314 S	8/2009	Ingerman	
7,581,509 B2 *	9/2009	Eventoff	116/137 R
2005/0237736 A1 *	10/2005	Wimsatt	362/196

\* cited by examiner

*Primary Examiner* — George D Kirschbaum

(74) *Attorney, Agent, or Firm* — Miller Nash LLP; Chandra E. Eidt

(57) **CLAIM**

The ornamental design for an emergency whistle, flashlight, and compass, as shown and described.

(56) **References Cited**

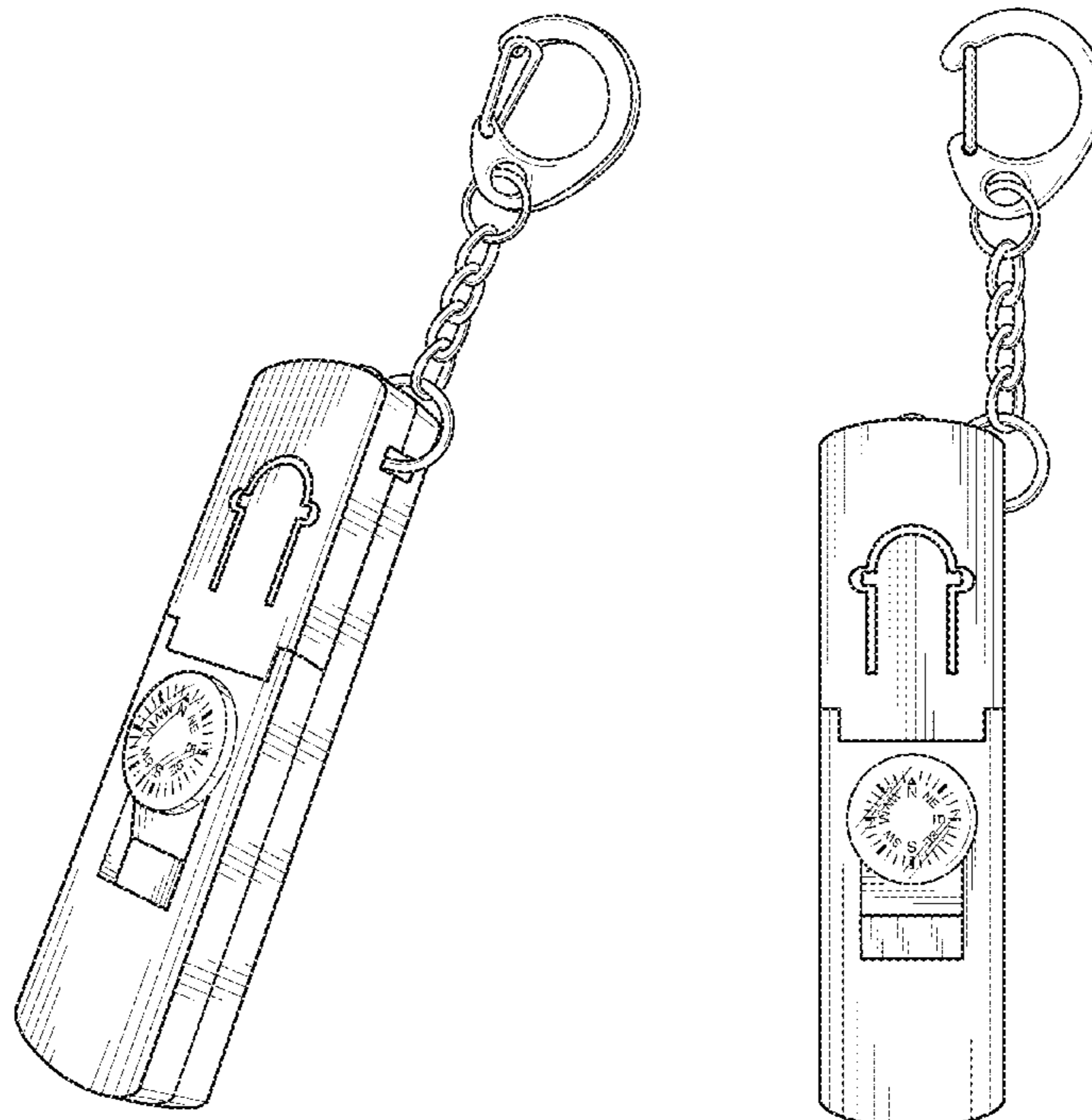
U.S. PATENT DOCUMENTS

D251,755 S	5/1979	Patience	
D266,407 S	10/1982	Nagel	
D268,175 S	3/1983	Kong	
D312,418 S	11/1990	Yusa	
D392,060 S	3/1998	Chen	
D403,093 S	12/1998	Tseng	
D410,771 S *	6/1999	Chang	D3/208
5,956,985 A *	9/1999	Chang	70/456 R
D449,437 S	10/2001	Leung	
D463,052 S	9/2002	Shiu	

**DESCRIPTION**

FIG. 1 illustrates a perspective view of the new design for an emergency whistle, flashlight, and compass;  
FIG. 2 illustrates a front elevational view thereof;  
FIG. 3 illustrates a back elevational view thereof;  
FIG. 4 illustrates a right side elevational view thereof;  
FIG. 5 illustrates a left side elevational view thereof;  
FIG. 6 illustrates a top plan view thereof; and,  
FIG. 7 illustrates a bottom plan view thereof.

**1 Claim, 4 Drawing Sheets**



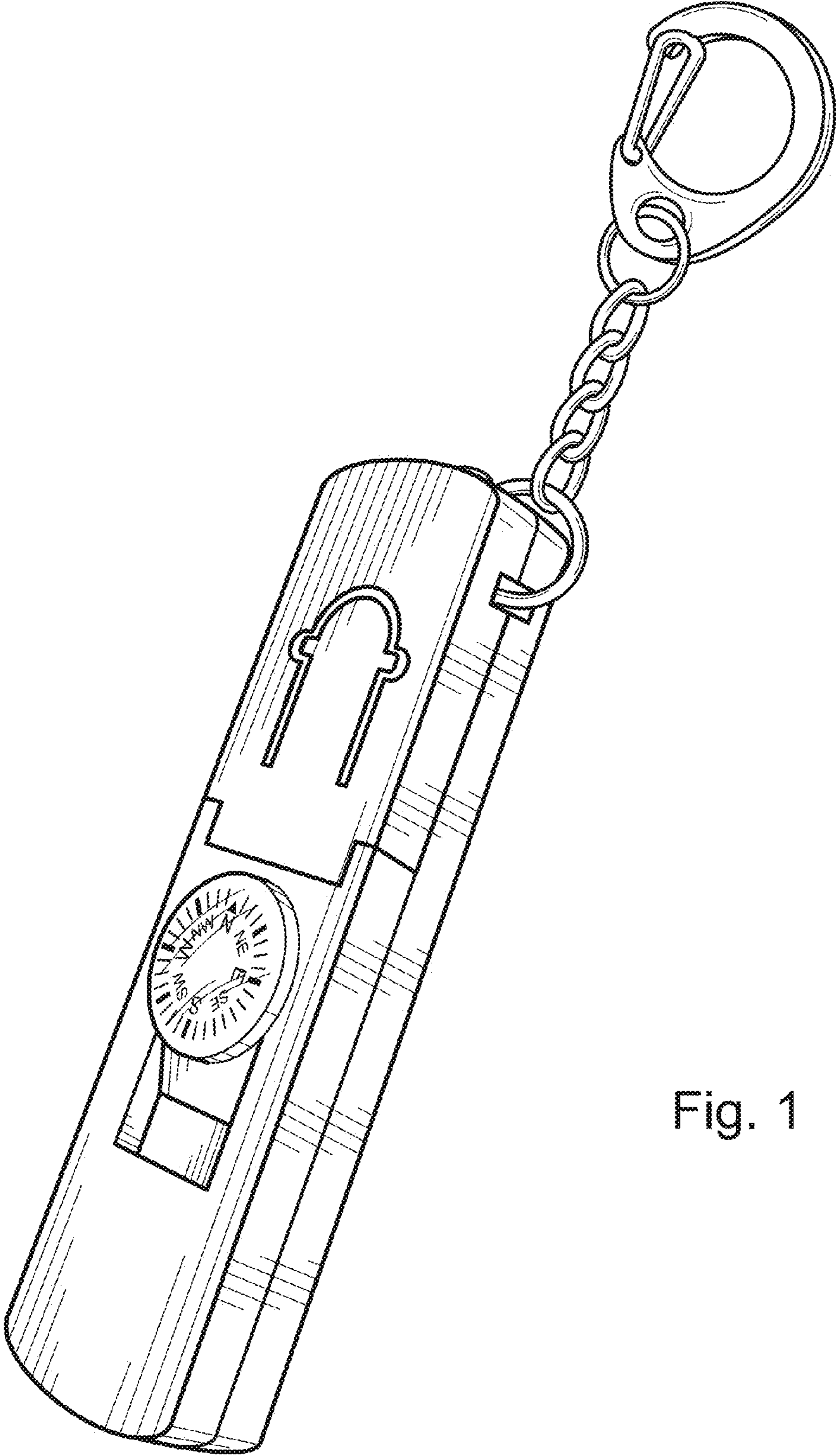
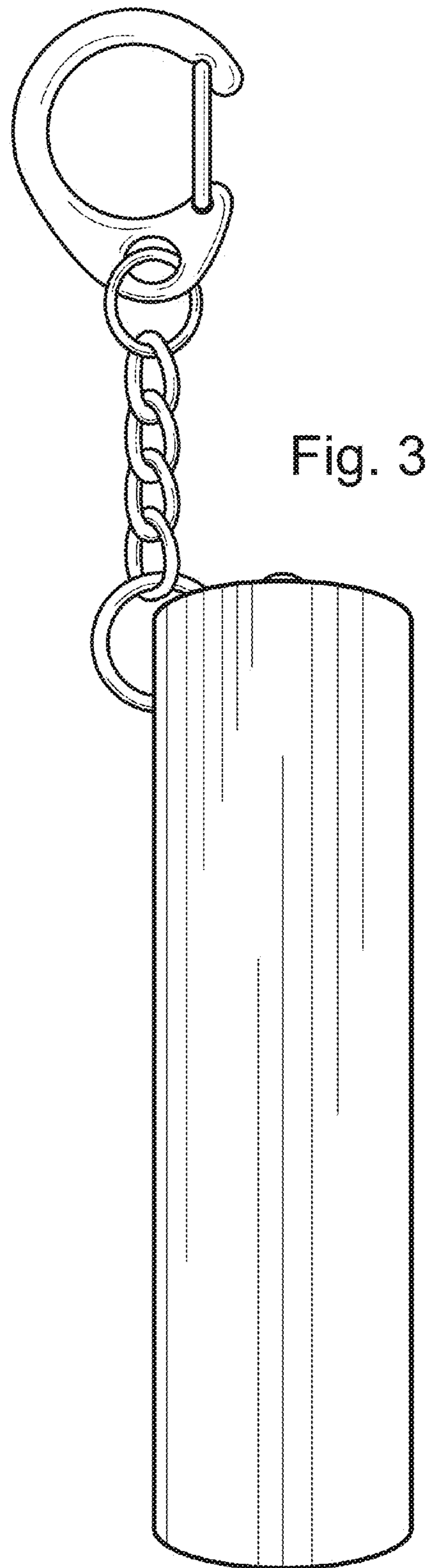
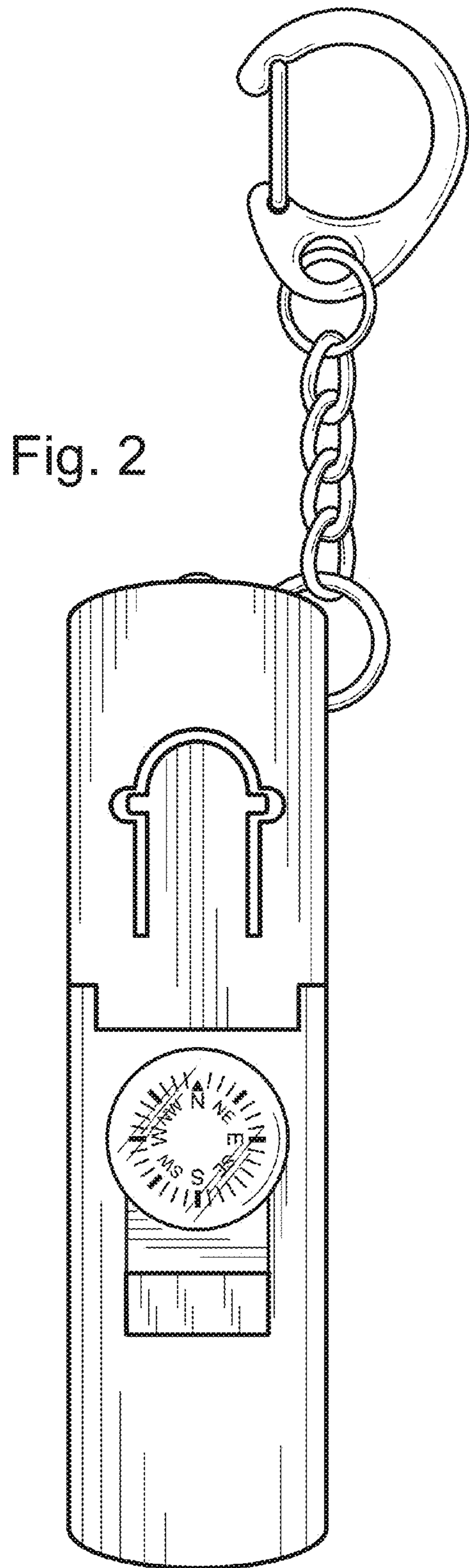


Fig. 1



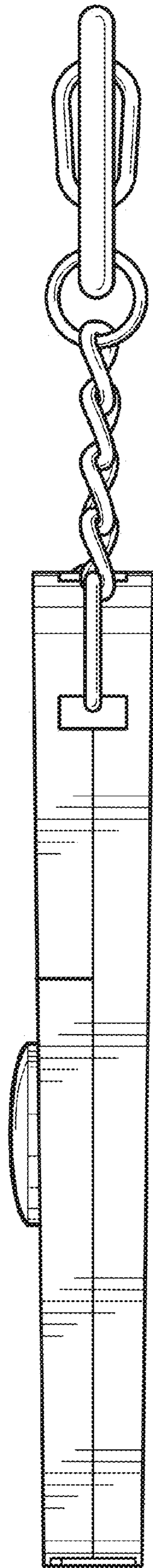


Fig. 4

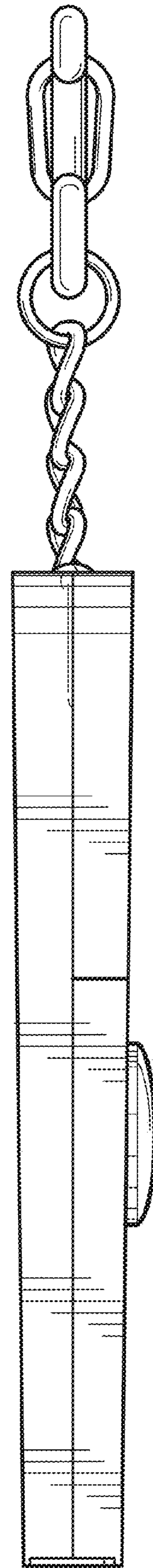


Fig. 5

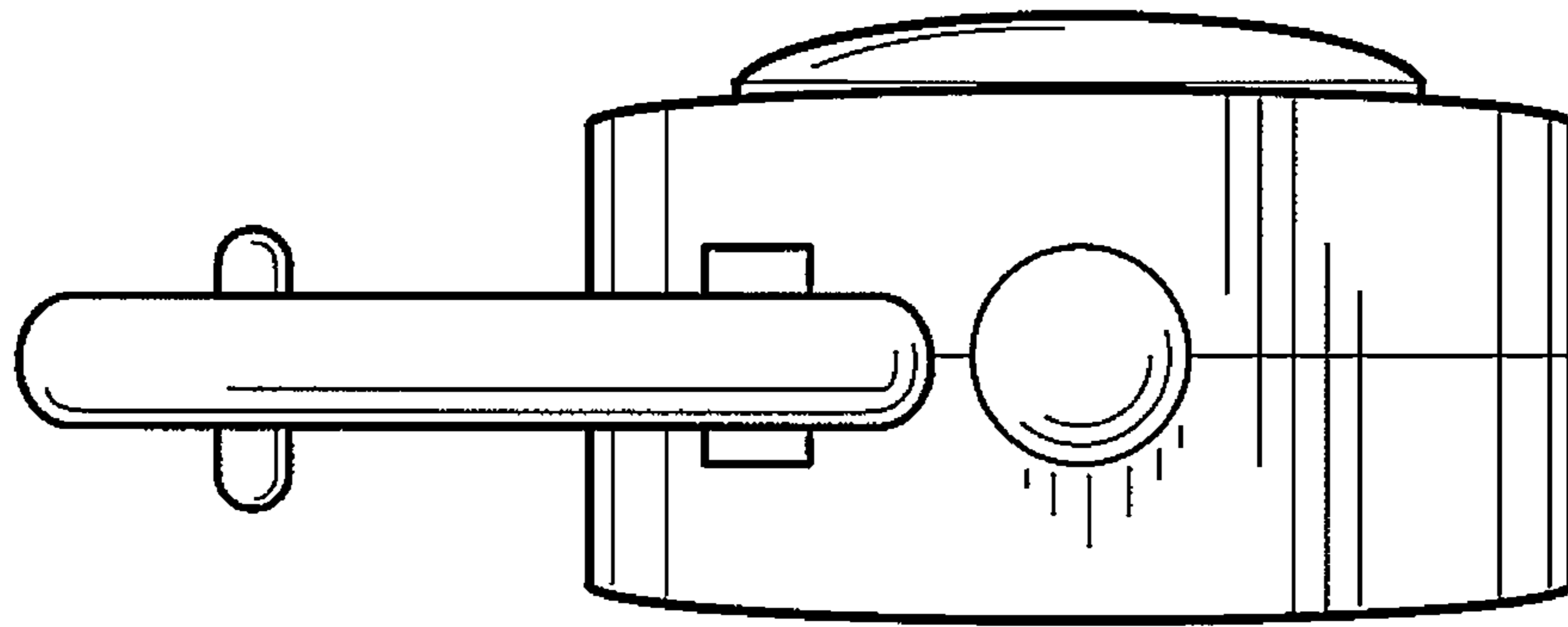


Fig. 6

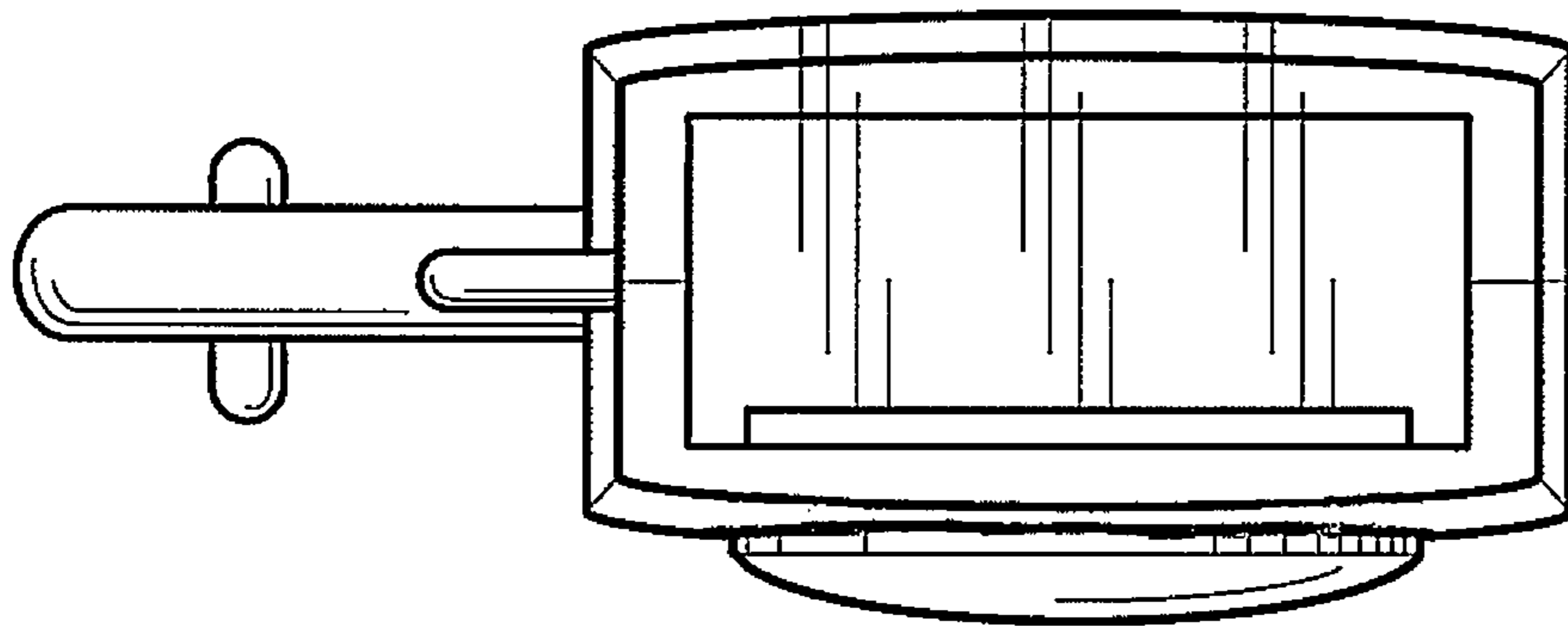


Fig. 7