



US00D703566S

(12) **United States Design Patent**  
**Chen et al.**

(10) **Patent No.:** **US D703,566 S**

(45) **Date of Patent:** **\*\* Apr. 29, 2014**

(54) **FIRE DETECTOR**

(71) Applicants: **Kai Yuan Chen**, Beijing (CN); **Wen Long Qi**, Beijing (CN); **Lei Qui**, Beijing (CN); **Wen Jie Shang**, Beijing (CN); **Zeng Tuan Xie**, Beijing (CN)

(72) Inventors: **Kai Yuan Chen**, Beijing (CN); **Wen Long Qi**, Beijing (CN); **Lei Qui**, Beijing (CN); **Wen Jie Shang**, Beijing (CN); **Zeng Tuan Xie**, Beijing (CN)

(73) Assignee: **Siemens Aktiengesellschaft**, Munich (DE)

(\*\*) Term: **14 Years**

(21) Appl. No.: **29/440,212**

(22) Filed: **Dec. 19, 2012**

(30) **Foreign Application Priority Data**

Jun. 19, 2012 (CN) ..... 2012 3 0261863

(51) **LOC (10) Cl.** ..... **10-05**

(52) **U.S. Cl.**  
USPC ..... **D10/106.5**

(58) **Field of Classification Search**  
USPC ..... D10/107; 441/1, 5  
See application file for complete search history.

(56) **References Cited**

U.S. PATENT DOCUMENTS

D252,862 S \* 9/1979 Mackay ..... D10/106.5  
D608,671 S \* 1/2010 Treharne ..... D10/106.5  
D653,575 S \* 2/2012 Treharne et al. .... D10/106.5

\* cited by examiner

*Primary Examiner* — George D Kirschbaum

(74) *Attorney, Agent, or Firm* — Staas & Halsey LLP

(57) **CLAIM**

The ornamental design for a fire detector, as shown and described.

**DESCRIPTION**

FIG. 1 is a perspective view of the top and side of the fire detector

FIG. 2 is a top view of the fire detector;

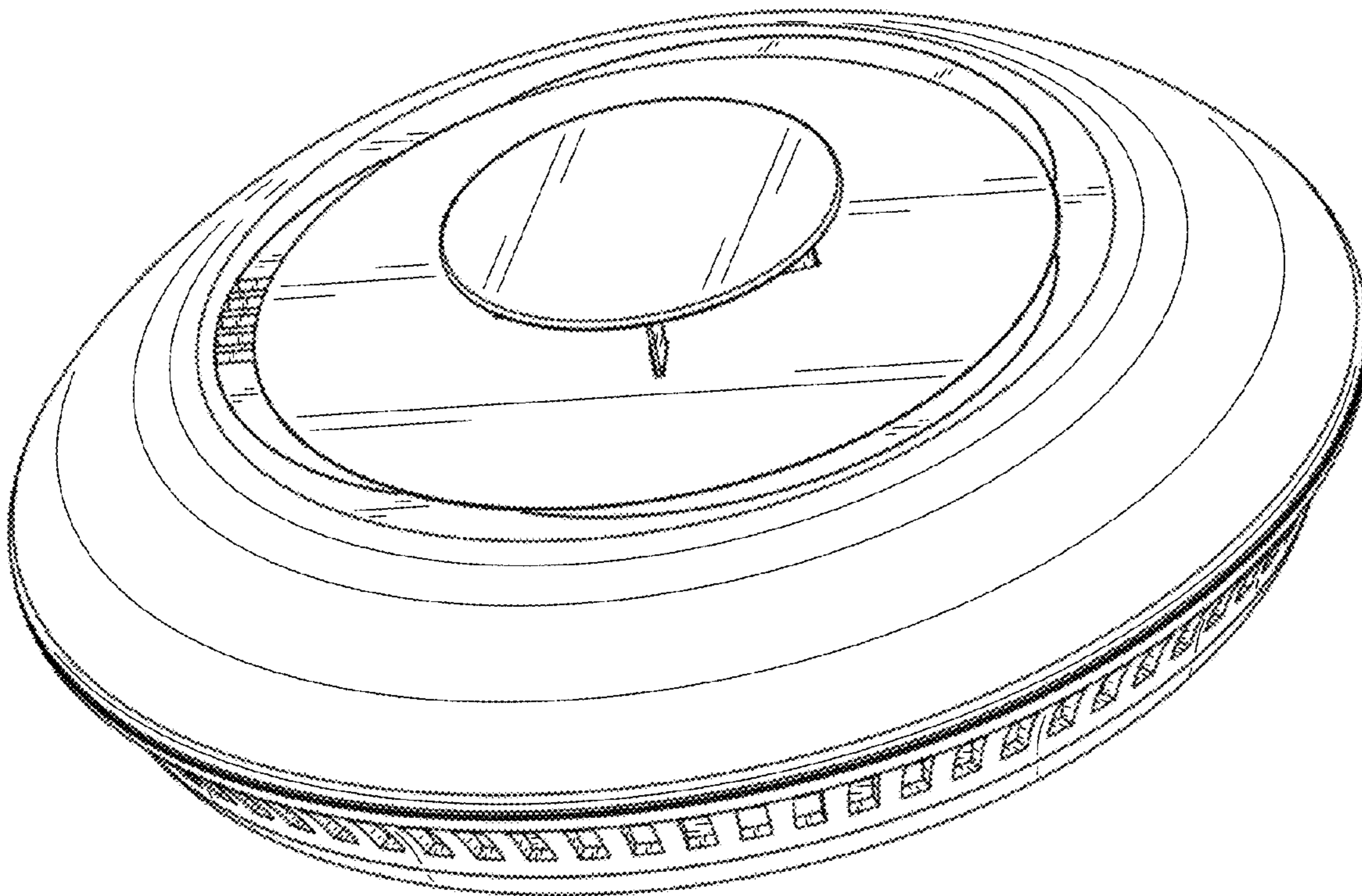
FIG. 3 is a left side view of the fire detector in a vertical position;

FIG. 4 is a right side view of the fire detector in a vertical position;

FIG. 5 is a left side view of the fire detector in a horizontal position with the top oriented downward; and,

FIG. 6 is a right side view of the fire detector in a horizontal position with the top oriented upward.

**1 Claim, 6 Drawing Sheets**



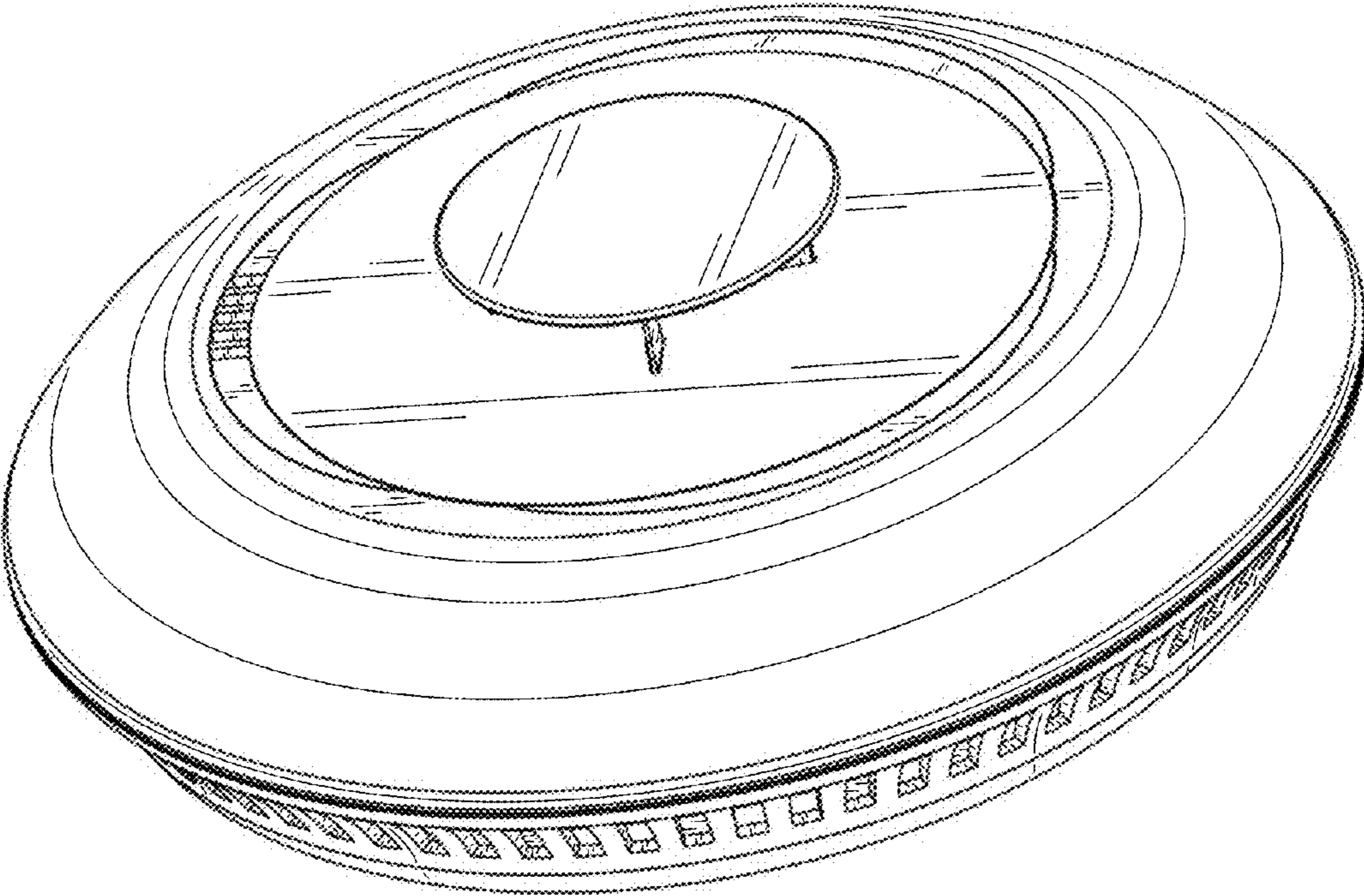


FIG. 1

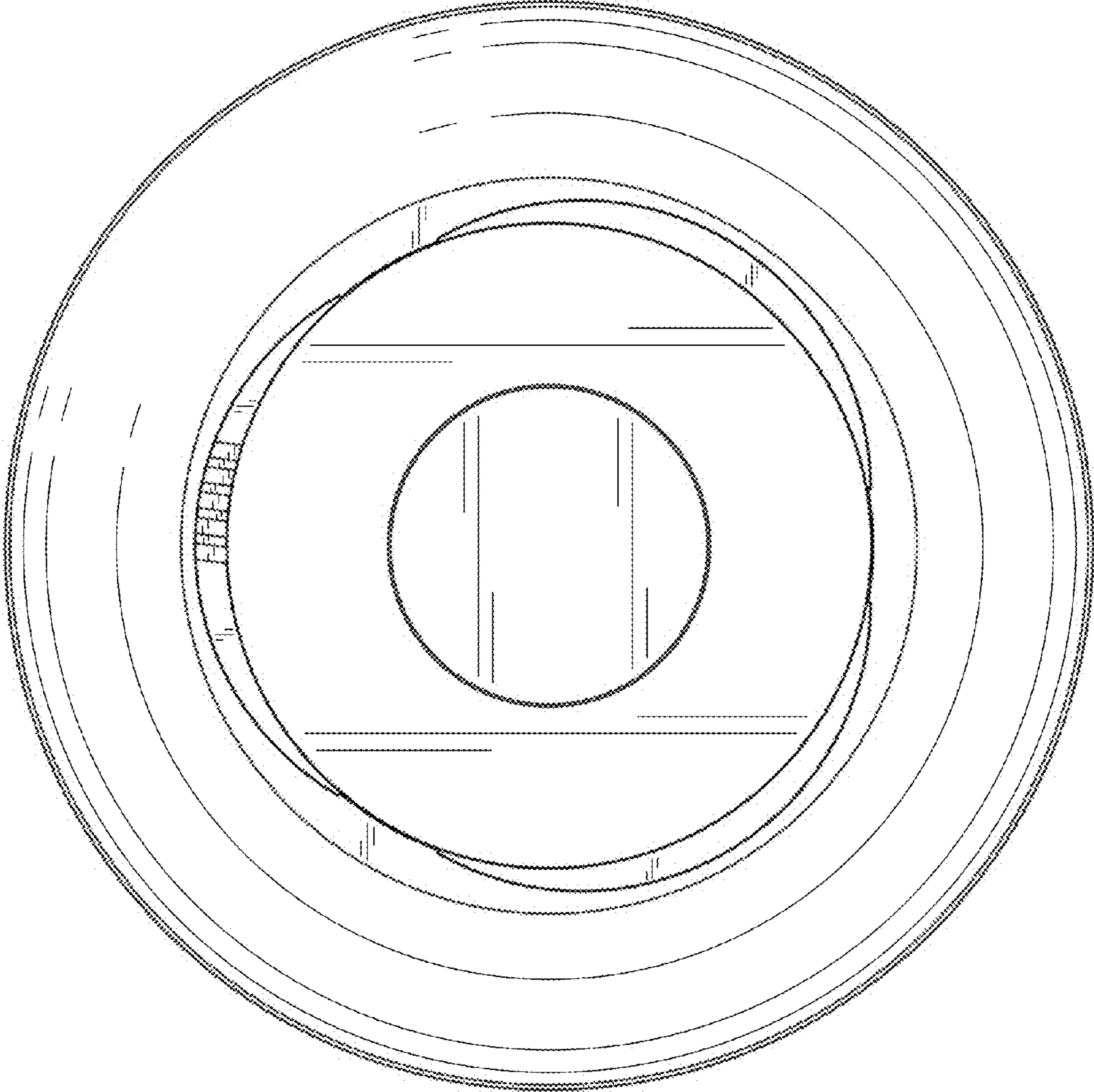


FIG. 2

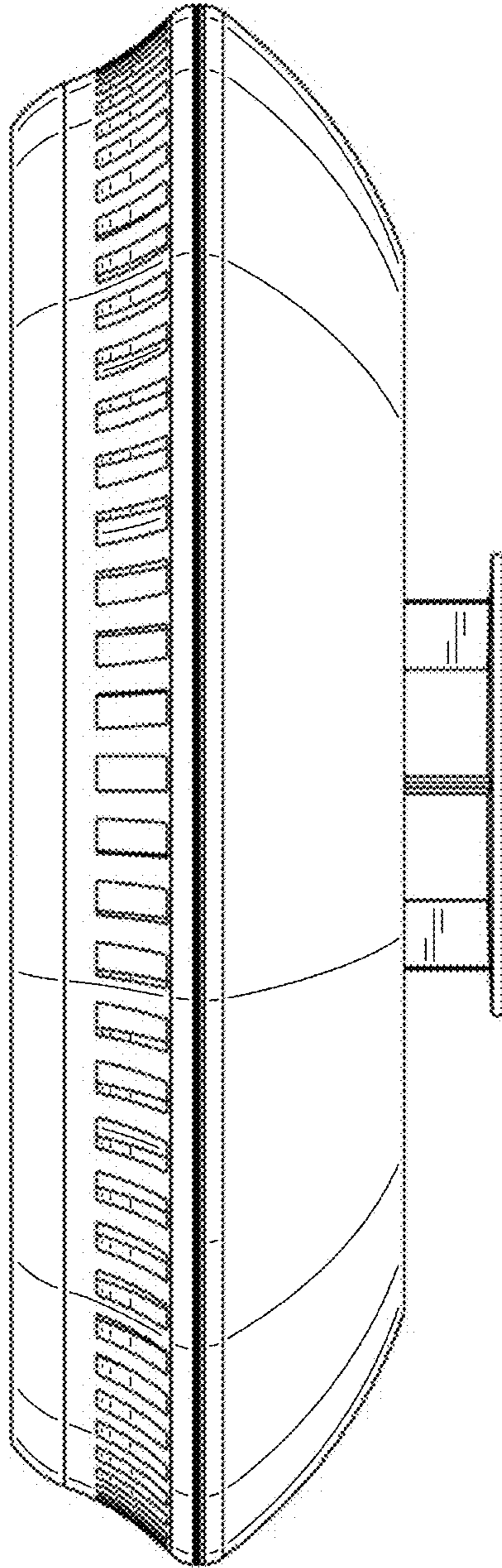


FIG. 3

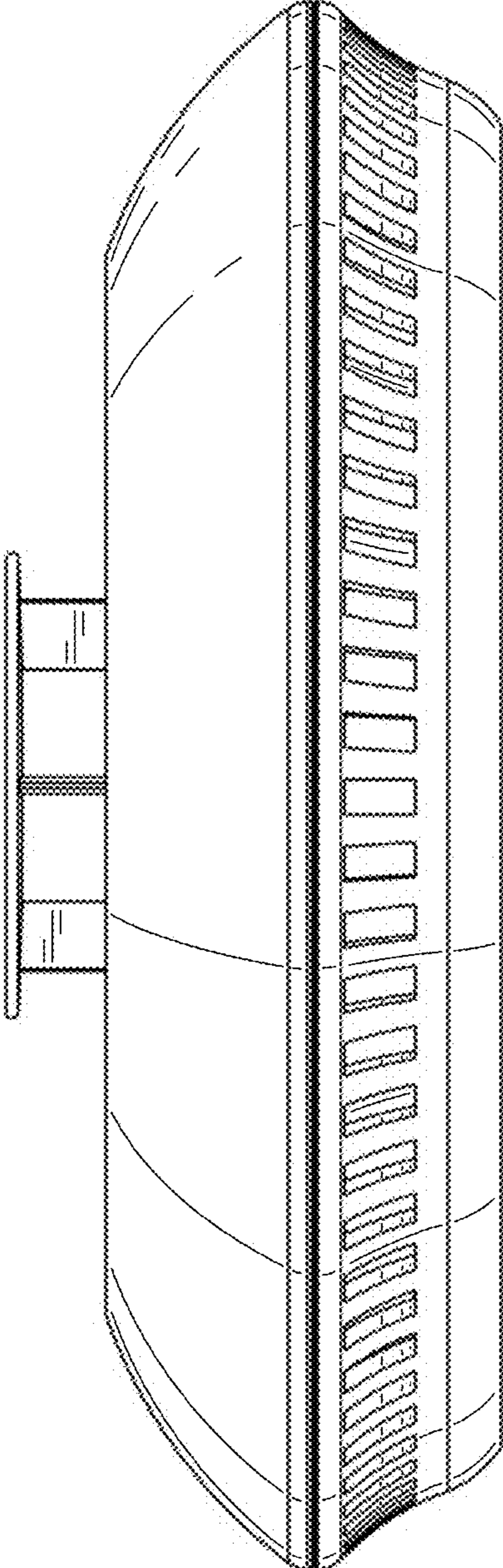


FIG. 4

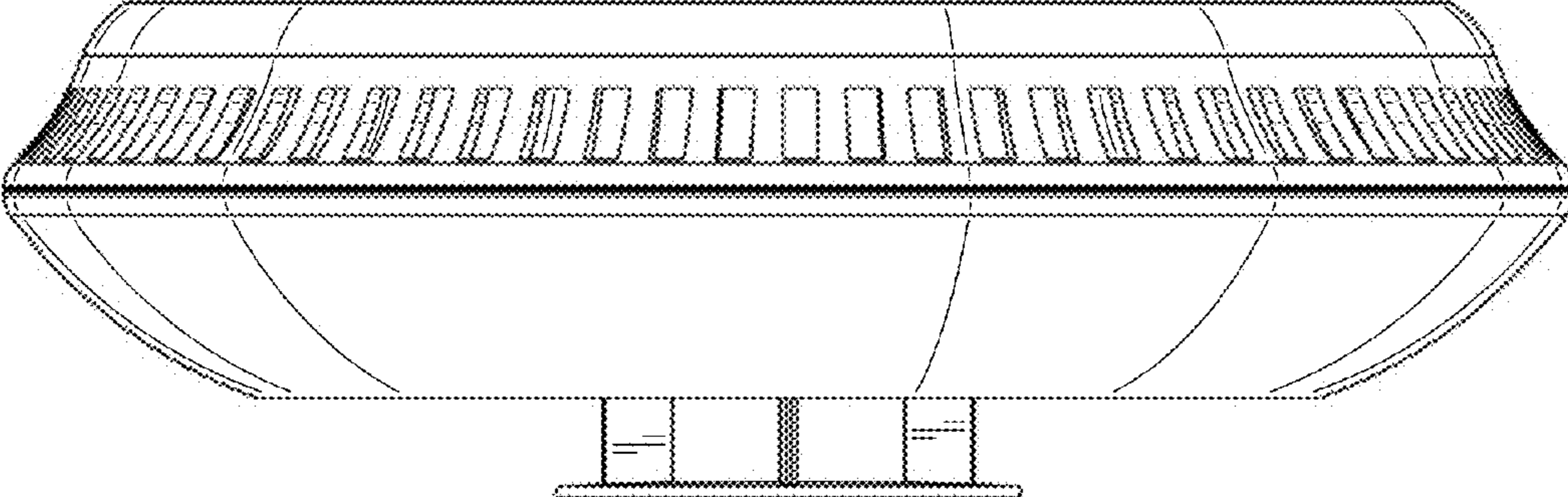


FIG. 5

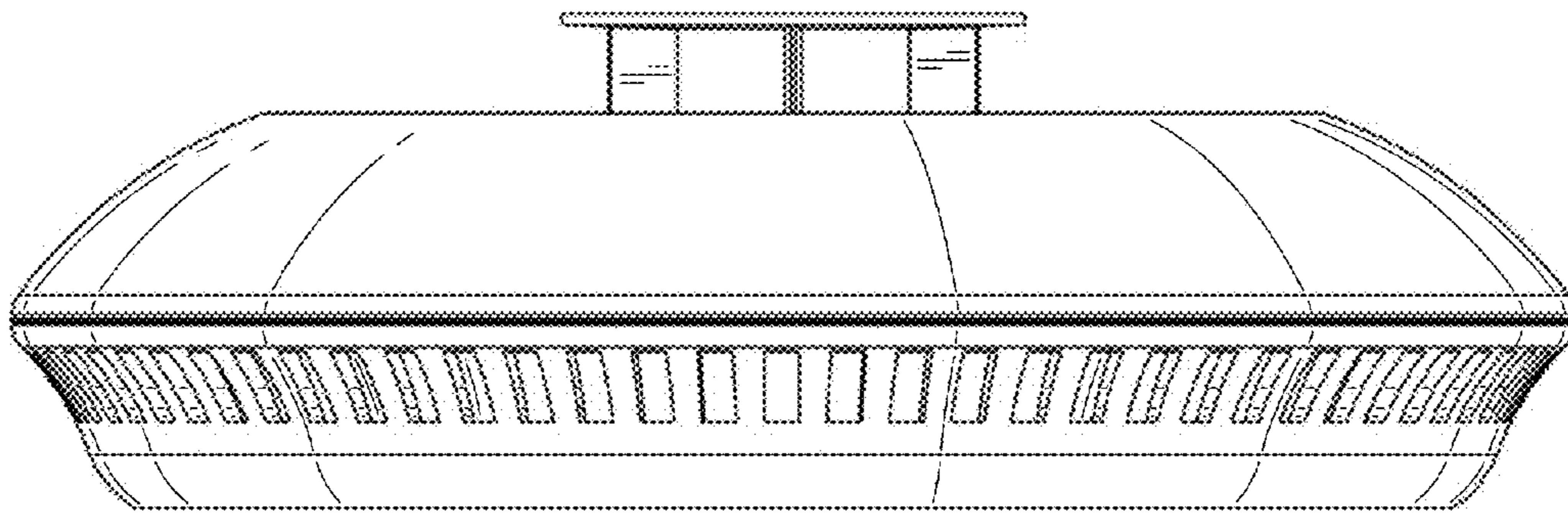


FIG. 6

UNITED STATES PATENT AND TRADEMARK OFFICE  
**CERTIFICATE OF CORRECTION**

PATENT NO. : D703,566 S  
APPLICATION NO. : 29/440212  
DATED : April 29, 2014  
INVENTOR(S) : Chen et al.

Page 1 of 1

It is certified that error appears in the above-identified patent and that said Letters Patent is hereby corrected as shown below:

On the Title Page Item [71] (Applicants), Line 2, delete "Qui," and insert -- Qiu, --, therefor.

On the Title Page Item [72] (Inventors), Line 2, delete "Qui," and insert -- Qiu, --, therefor.

Signed and Sealed this  
Twenty-fourth Day of June, 2014



Michelle K. Lee  
*Deputy Director of the United States Patent and Trademark Office*