



US00D703563S

(12) **United States Design Patent**
Kagan et al.

(10) **Patent No.:** **US D703,563 S**
(45) **Date of Patent:** **** Apr. 29, 2014**

(54) **DIGITAL DISPLAY**

(71) Applicant: **Electro Industries/Gauge Tech,**
Westbury, NY (US)
(72) Inventors: **Erran Kagan,** Great Neck, NY (US);
Tibor Banhegyesi, Baldwin, NY (US);
Avi Cohen, Great Neck, NY (US)
(73) Assignee: **Electro Industries/Gauge Tech,**
Westbury, NY (US)

(**) Term: **14 Years**
(21) Appl. No.: **29/455,032**
(22) Filed: **May 16, 2013**

Related U.S. Application Data

(63) Continuation of application No. 29/410,198, filed on
Jan. 5, 2012, now Pat. No. Des. 682,720.
(51) **LOC (10) Cl.** **10-04**
(52) **U.S. Cl.**
USPC **D10/100; D10/99**
(58) **Field of Classification Search**
USPC D10/96, 99-100, 102; 324/74, 142;
340/870.02; 702/61, 62; 709/217, 224,
709/225
See application file for complete search history.

(56) **References Cited**

U.S. PATENT DOCUMENTS

D241,006 S 8/1976 Wallace
D332,923 S 2/1993 Polydoris et al.
D343,786 S 2/1994 Hines et al.
D348,019 S 6/1994 Kocol et al.
5,581,470 A 12/1996 Pawloski
D427,533 S 7/2000 Cowan et al.
D429,655 S 8/2000 Cowan et al.

D435,471 S 12/2000 Simbeck et al.
D439,535 S 3/2001 Cowan et al.
D443,541 S 6/2001 Hancock et al.
D455,066 S 4/2002 Kolinen
D458,863 S 6/2002 Harding et al.
D459,259 S 6/2002 Harding et al.
6,476,595 B1 11/2002 Heuell et al.
6,476,729 B1 11/2002 Liu

(Continued)

Primary Examiner — Antoine D Davis

(74) *Attorney, Agent, or Firm* — Michael J. Porco; Gerald E. Hespos; Matthew T. Hespos

(57) **CLAIM**

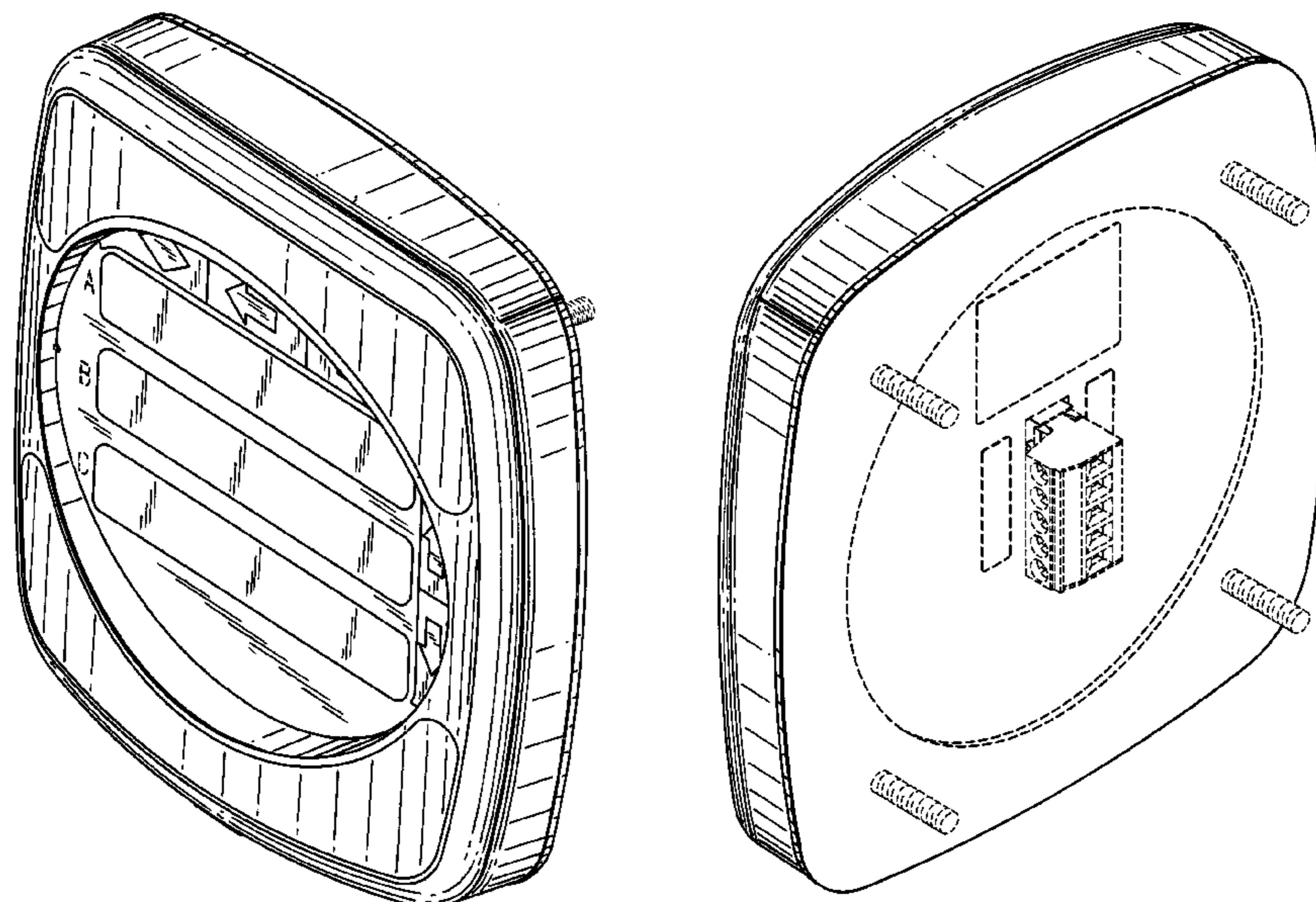
The ornamental design of a “digital display”, as shown and described.

DESCRIPTION

FIG. 1 is a front perspective view of our new, original and ornamental design for a digital display according to a first embodiment;
FIG. 2 is a rear perspective view of the digital display of FIG. 1;
FIG. 3 is a top plan view of the digital display of FIG. 1;
FIG. 4 is a front elevational view of the digital display of FIG. 1;
FIG. 5 is a right side view of the digital display of FIG. 1;
FIG. 6 is a left side view of the digital display of FIG. 1;
FIG. 7 is a rear elevational view of the digital display of FIG. 1;
FIG. 8 is a bottom plan view of the digital display of FIG. 1;
FIG. 9 is a perspective view of a digital display according to a second embodiment; and,
FIG. 10 is a front elevational view of the digital display of FIG. 9.

The broken lines shown in FIGS. 1-10 form no part of the claimed design.

1 Claim, 8 Drawing Sheets



(56)

References Cited

U.S. PATENT DOCUMENTS

6,745,138 B2 6/2004 Przydatek et al.
D525,893 S 8/2006 Kagan et al.
D526,920 S 8/2006 Kagan et al.
D545,181 S 6/2007 Kagan et al.
7,271,996 B2 9/2007 Kagan et al.
7,417,419 B2 8/2008 Tate

7,868,782 B2 1/2011 Ehrke et al.
D653,572 S 2/2012 Ohtani et al.
8,176,174 B2 5/2012 Kagan
D666,933 S 9/2012 Hoffman et al.
8,310,403 B2 11/2012 Nahar
8,325,057 B2 12/2012 Salter
D682,720 S 5/2013 Kagan et al.
D682,721 S 5/2013 Kagan et al.
8,587,949 B2* 11/2013 Banhegyesi et al. 361/736
* cited by examiner

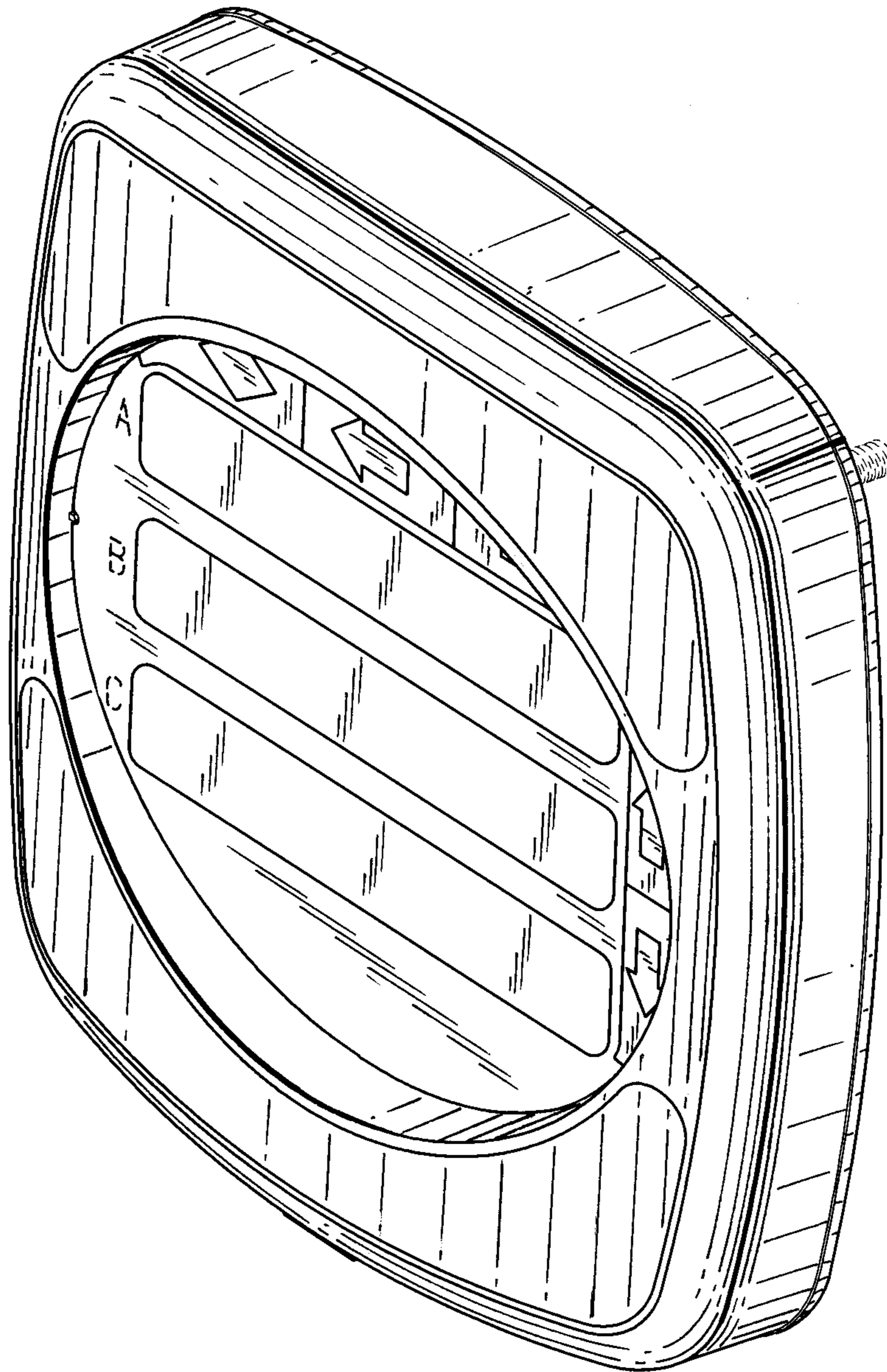


FIG. 1

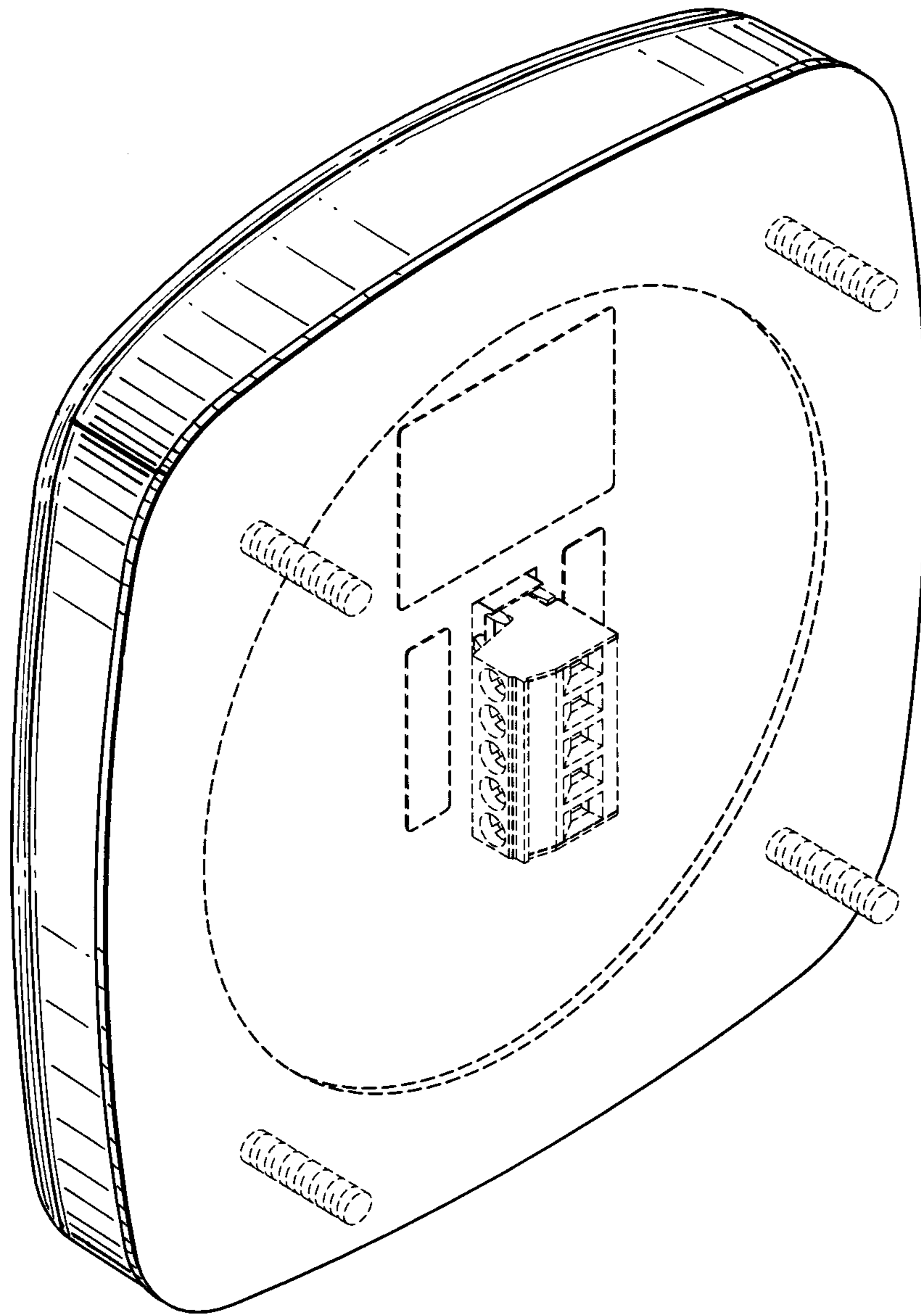


FIG.2

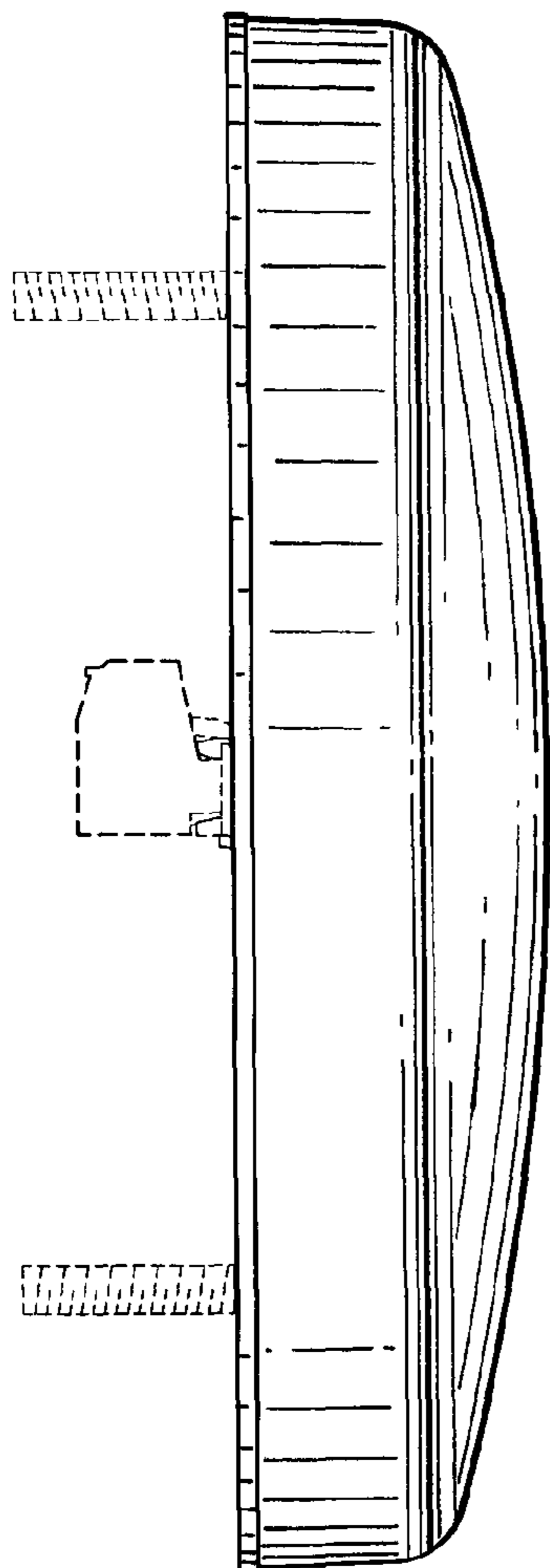


FIG. 3

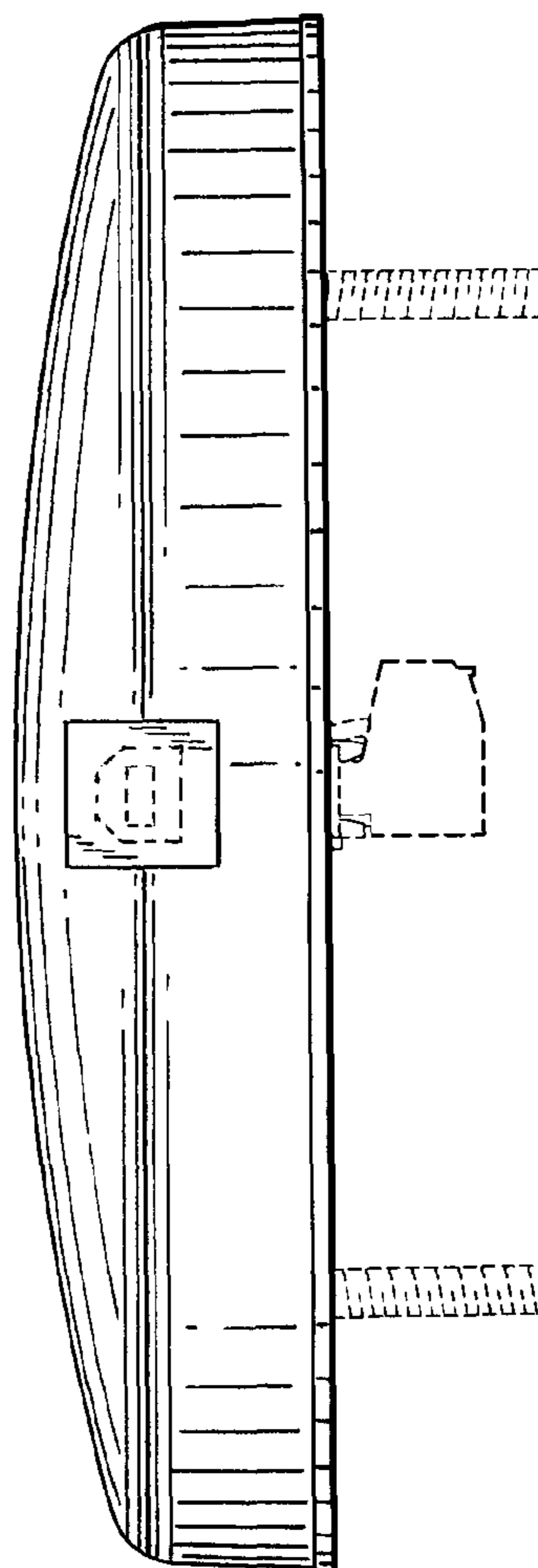


FIG. 8

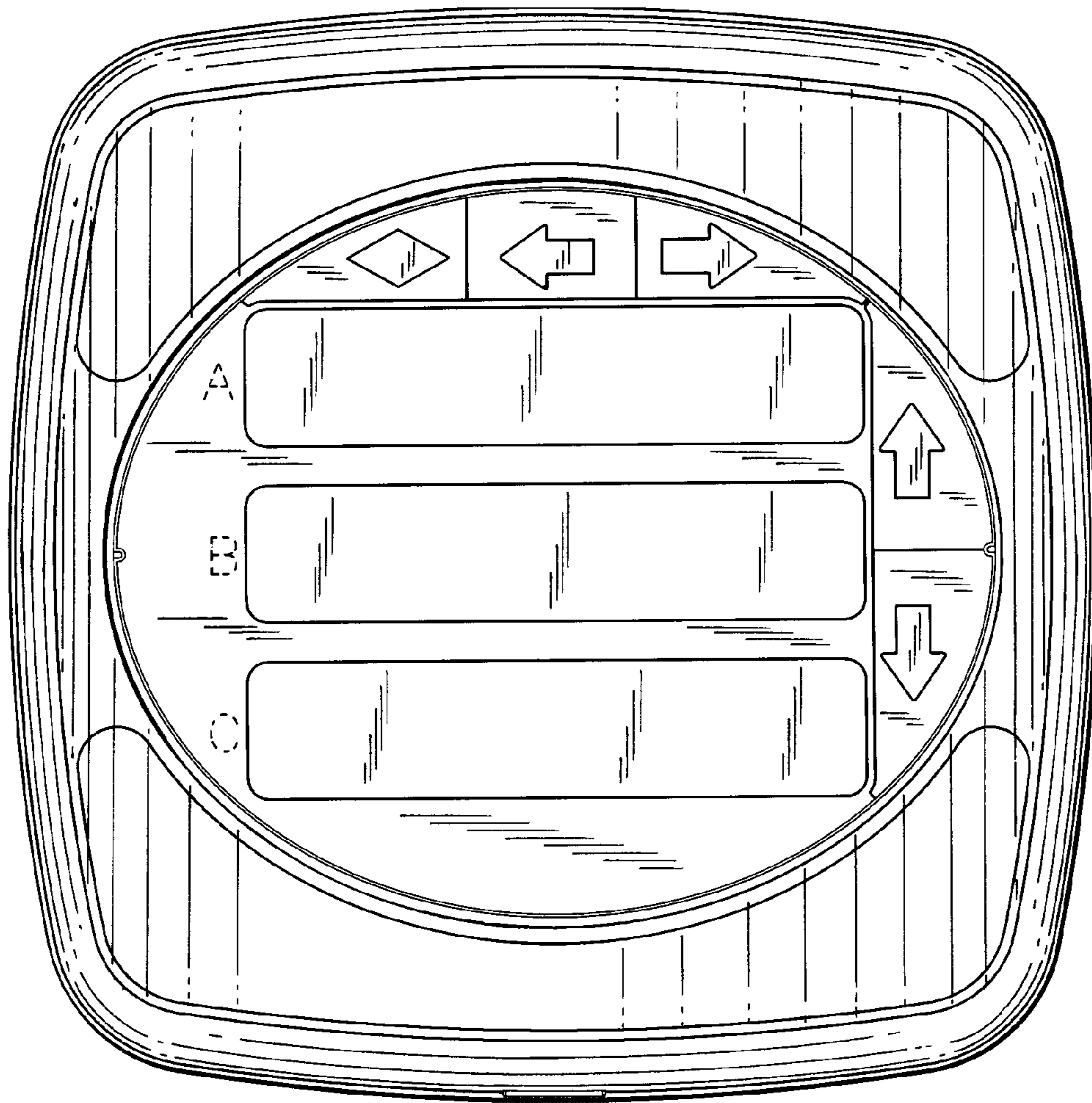


FIG. 4

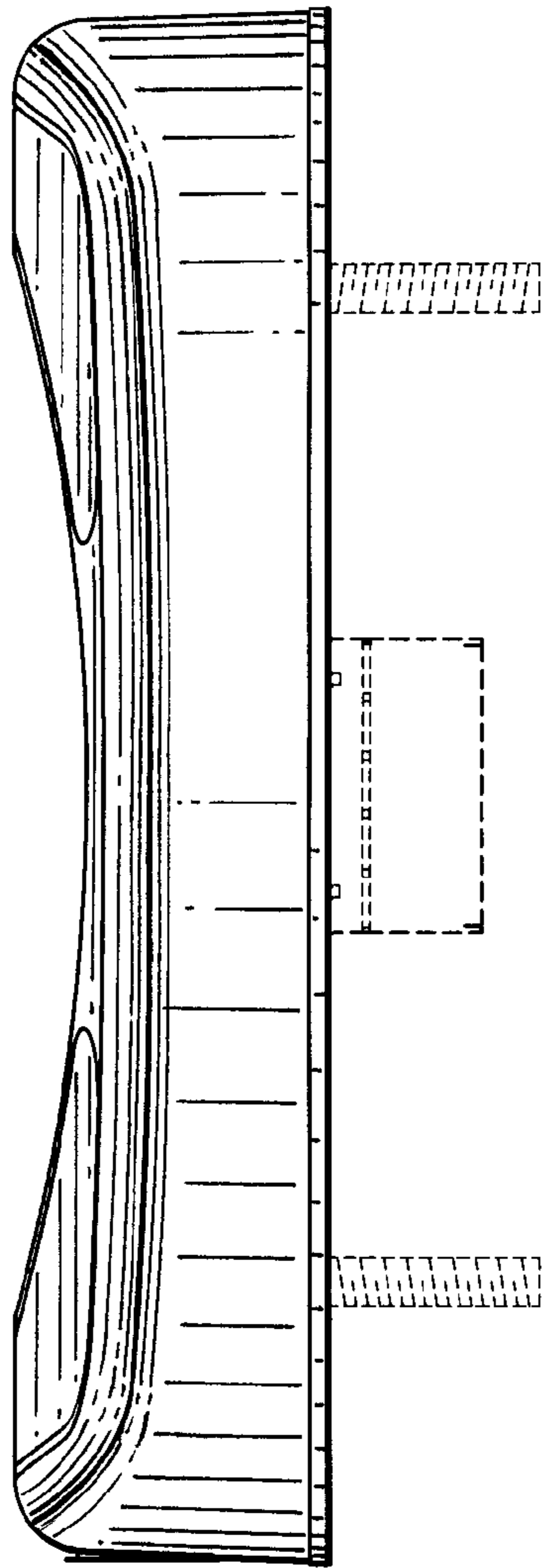


FIG. 5

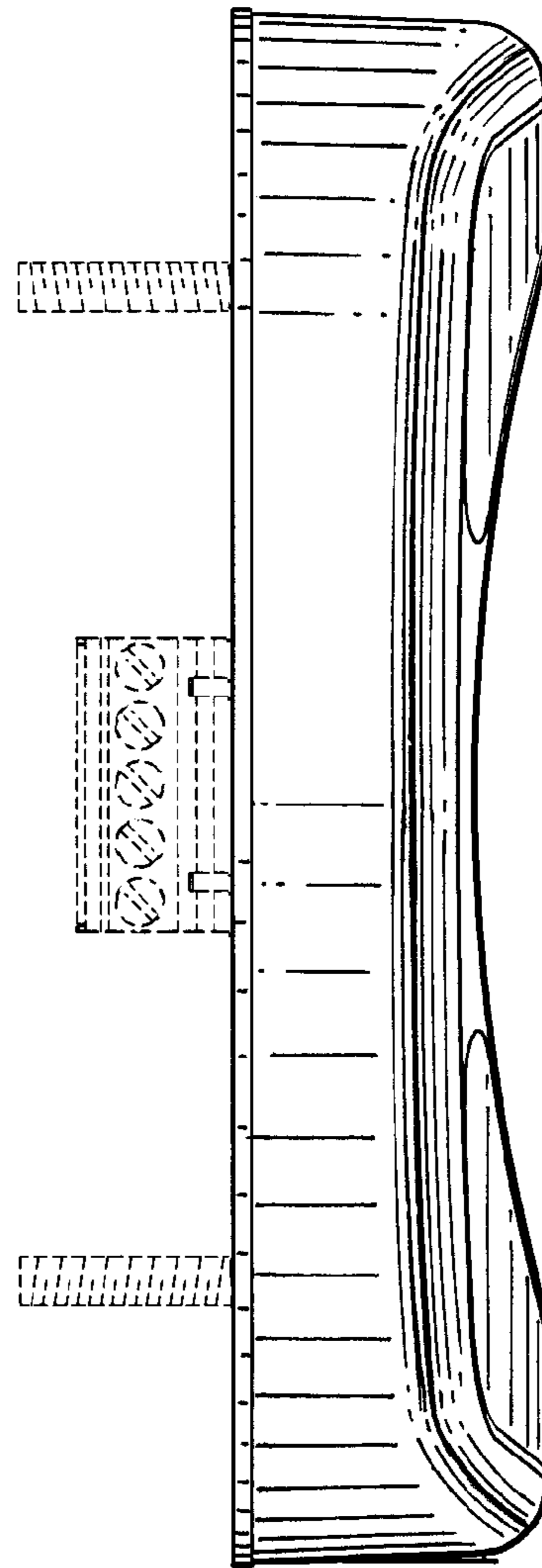


FIG. 6

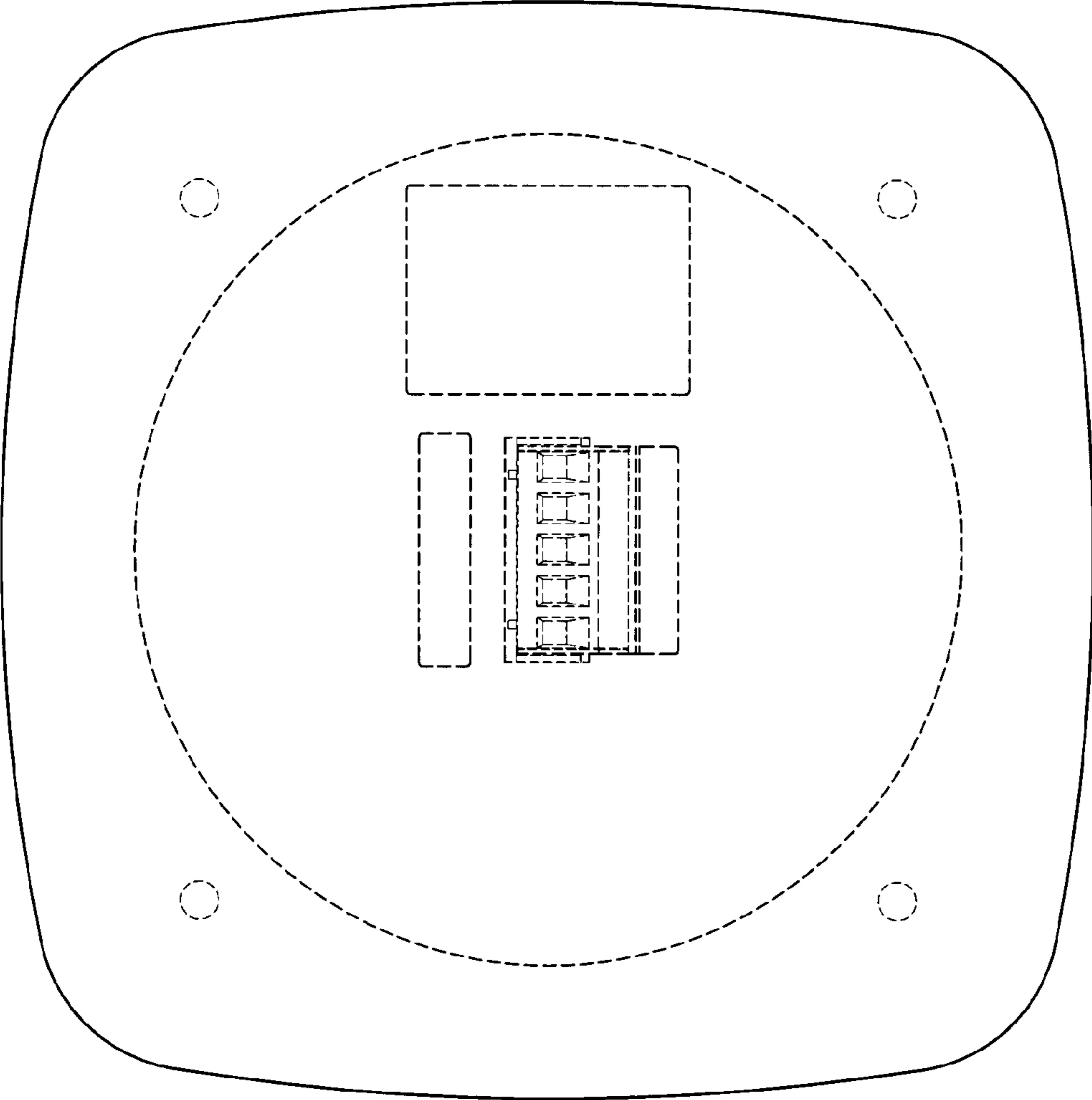


FIG.7

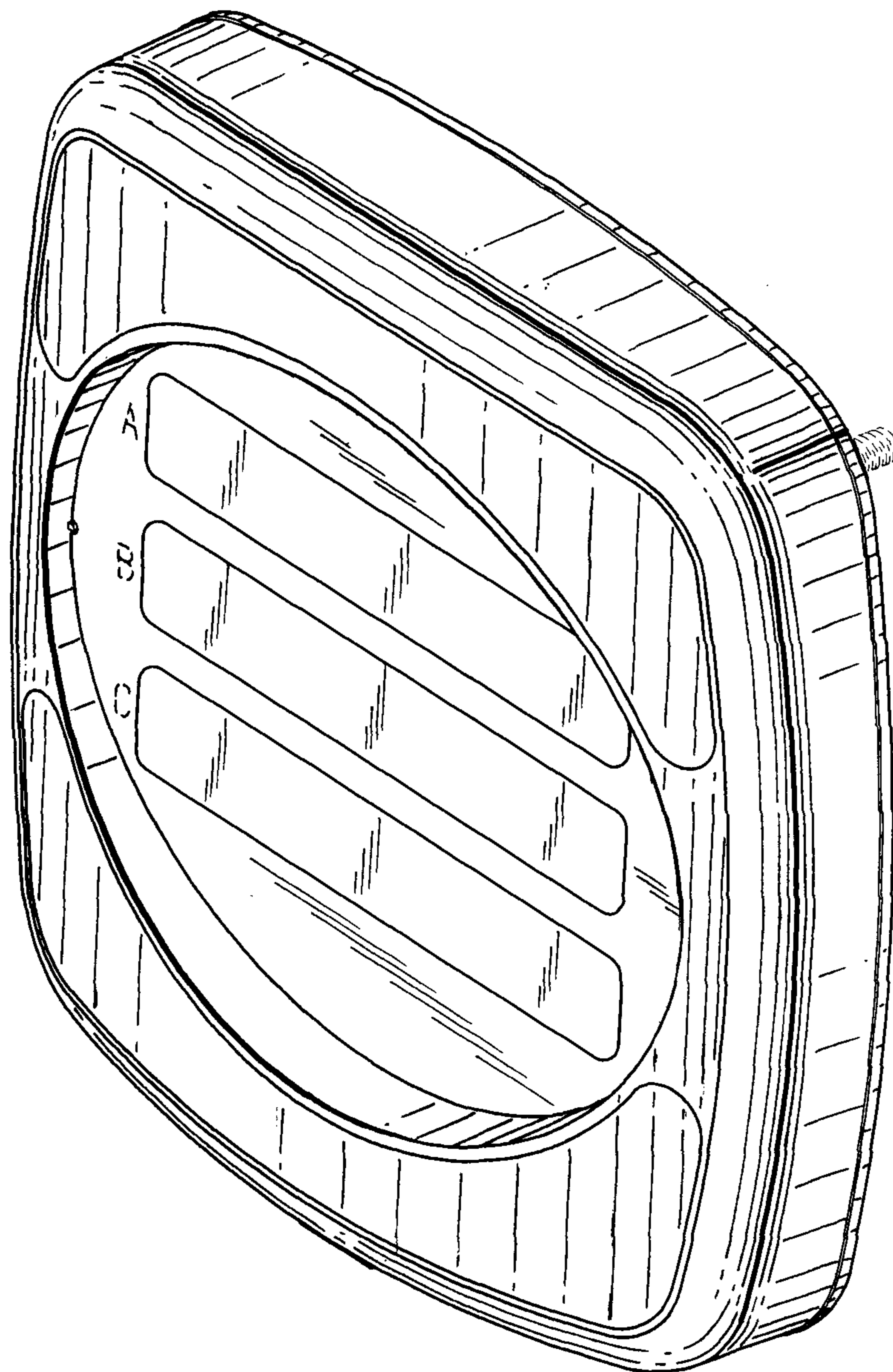


FIG.9

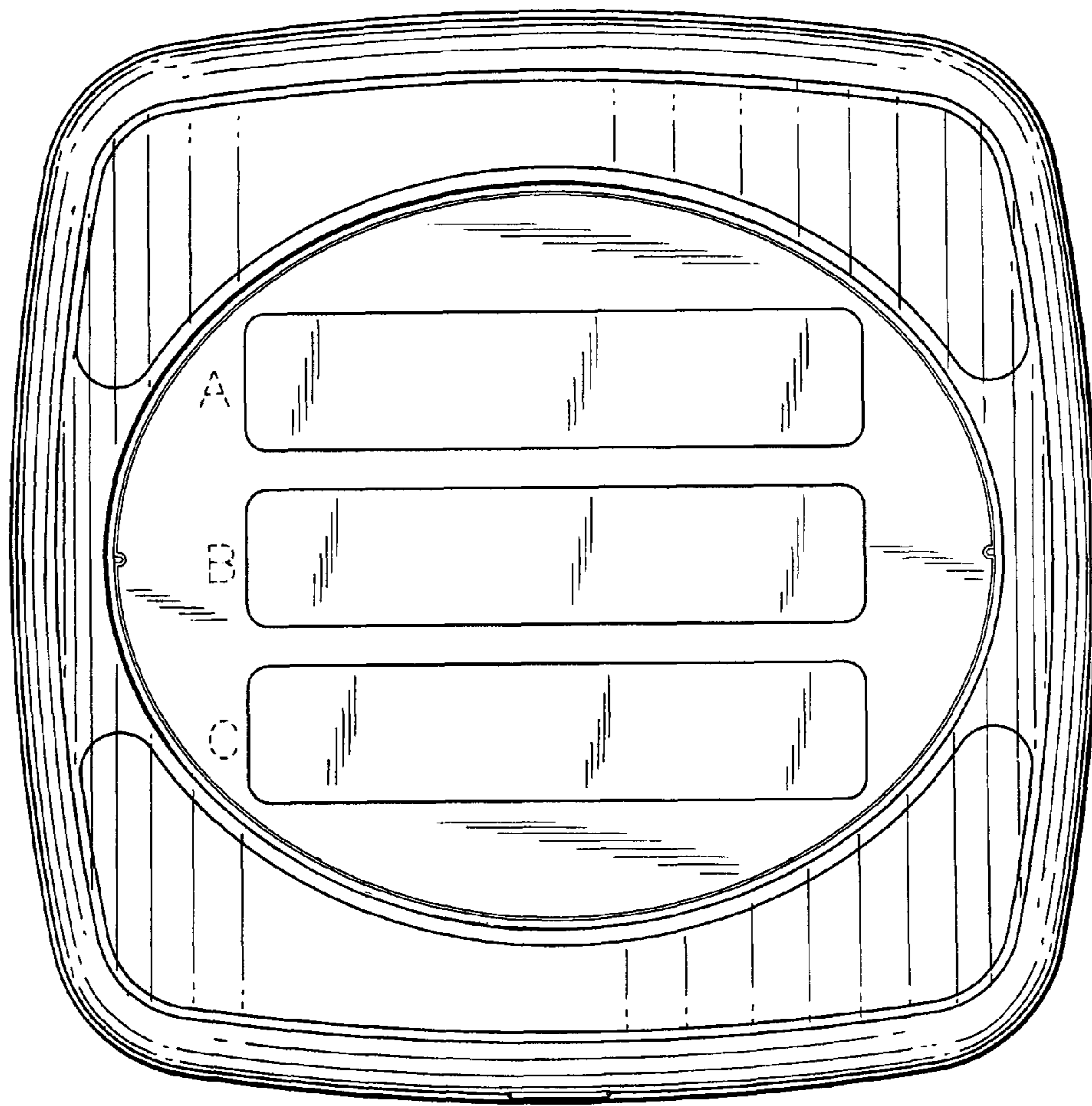


FIG. 10