



US00D703557S

(12) **United States Design Patent**  
**Wurts et al.**

(10) **Patent No.:** **US D703,557 S**  
(45) **Date of Patent:** **\*\* Apr. 29, 2014**

(54) **WIRELESS REFRIGERANT SCALE PLATFORM**

(71) Applicants: **Adolfo Jose Wurts**, Orange, CA (US);  
**Jason Corbett Gilley**, Hacienda Heights, CA (US)  
(72) Inventors: **Adolfo Jose Wurts**, Orange, CA (US);  
**Jason Corbett Gilley**, Hacienda Heights, CA (US)  
(73) Assignee: **Field Piece Instruments, Inc.**, Anaheim, CA (US)

(\*\*) Term: **14 Years**

(21) Appl. No.: **29/461,100**

(22) Filed: **Jul. 18, 2013**

(51) **LOC (10) Cl.** ..... **10-04**

(52) **U.S. Cl.**  
USPC ..... **D10/92; D10/91**

(58) **Field of Classification Search**  
USPC ..... D10/87, 88, 91-94; 177/2-13, 15-24,  
177/25.11-29, 177, 201-215, 225-237,  
177/238-243, DIG. 3, 178-182; 62/126,  
62/127, 149, 238.6, 282, 292

See application file for complete search history.

(56) **References Cited**

U.S. PATENT DOCUMENTS

D614,056 S \* 4/2010 Ulrich ..... D10/92  
\* cited by examiner

*Primary Examiner* — Antoine D Davis

(74) *Attorney, Agent, or Firm* — Lynn & Lynn; John H Lynn

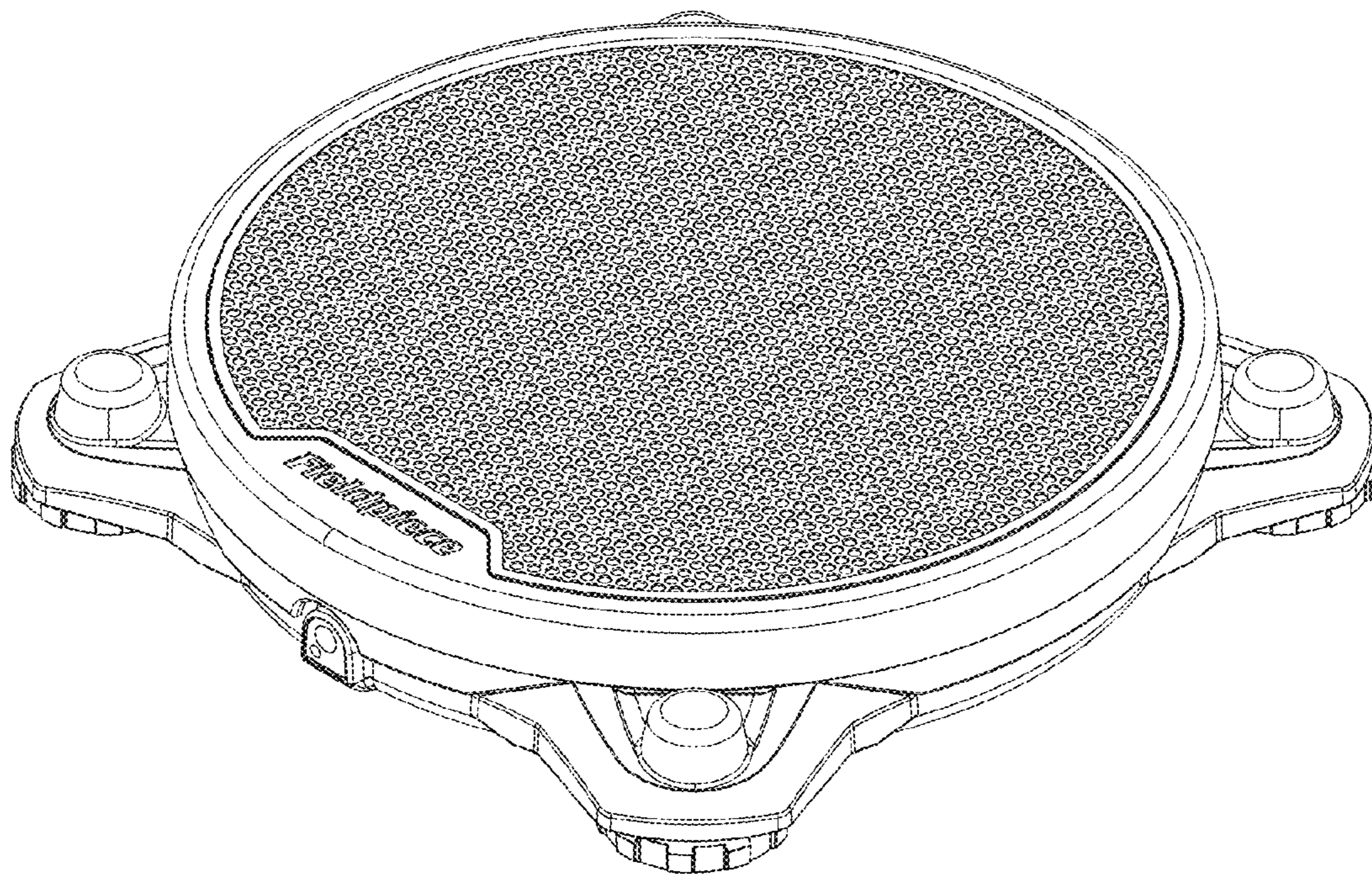
(57) **CLAIM**

The ornamental design for a wireless refrigerant scale platform, as shown and described.

**DESCRIPTION**

FIG. 1 is a top plan view thereof;  
FIG. 2 is a bottom plan view thereof;  
FIG. 3 is a perspective view showing the top, front, right and left sides thereof;  
FIG. 4 is a front elevation view thereof; and,  
FIG. 5 is a right side elevation view thereof.  
The rear and left side elevations are identical to the right side elevation.  
The title "Fieldpiece" forming a part of the claimed design is a registered trademark having U.S. Trademark Registration No. 2,274,247 and is owned by Fieldpiece Instruments, Inc., owner of the claimed design.

**1 Claim, 2 Drawing Sheets**



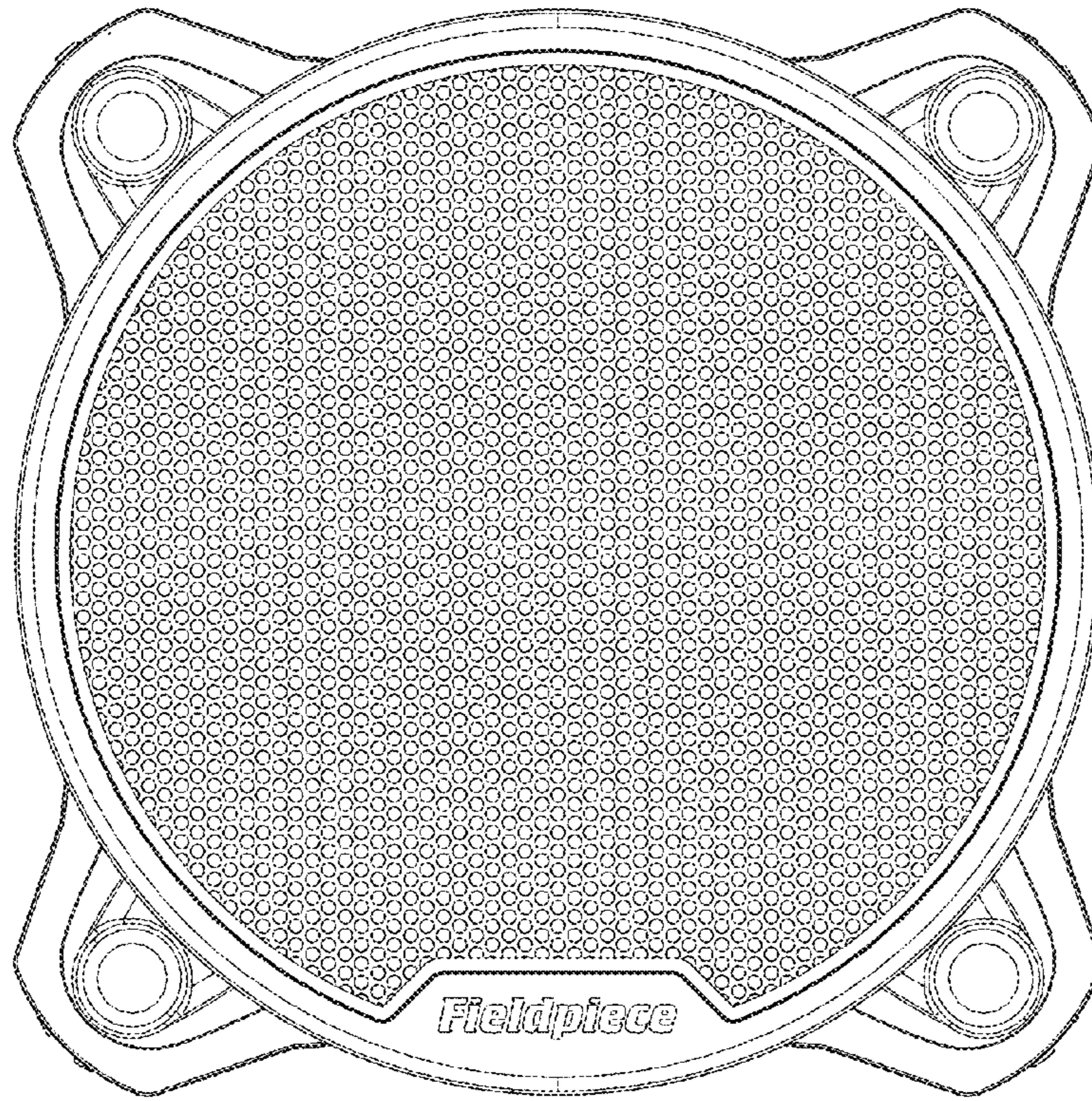


FIG. 1

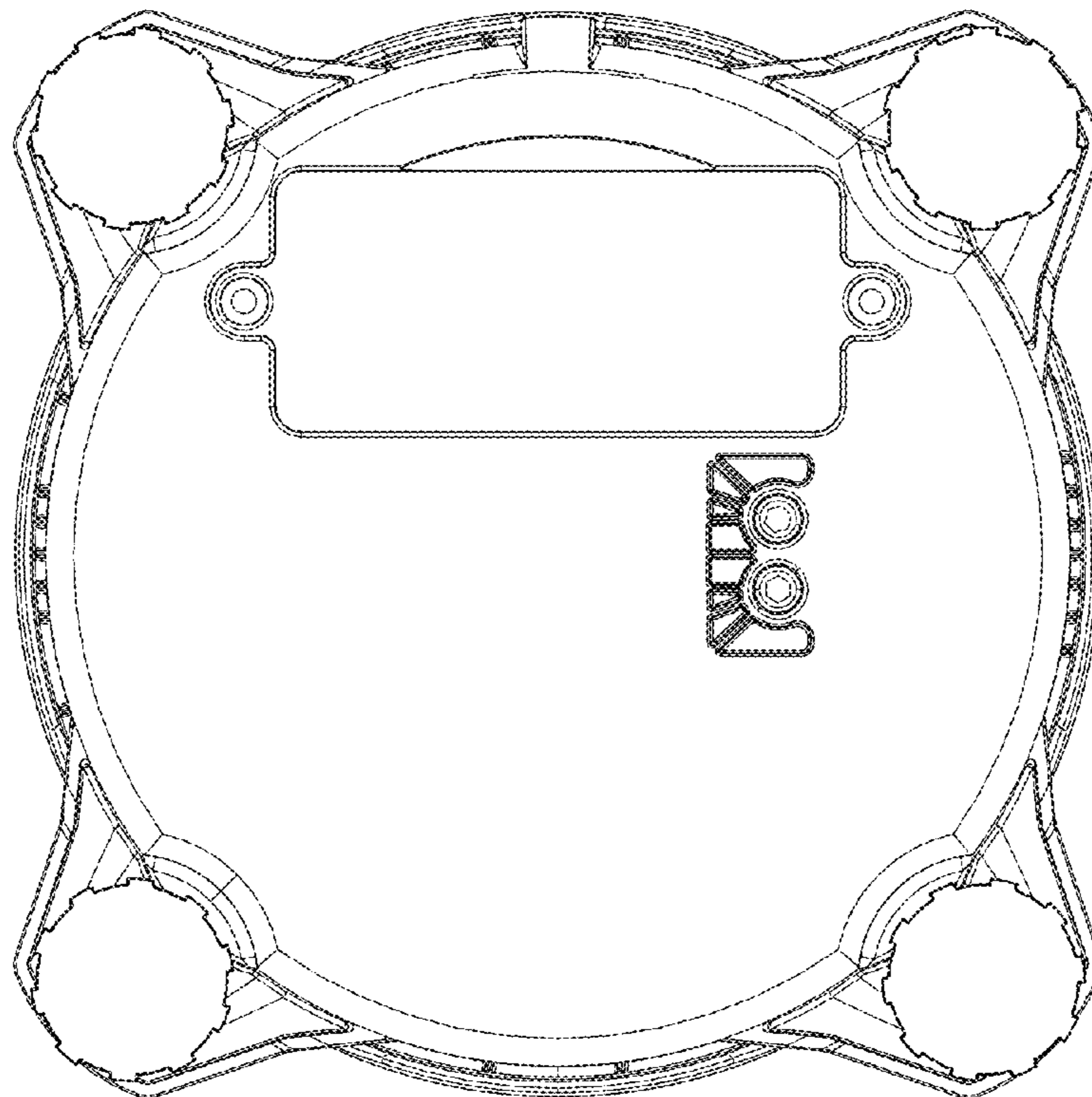


FIG. 2

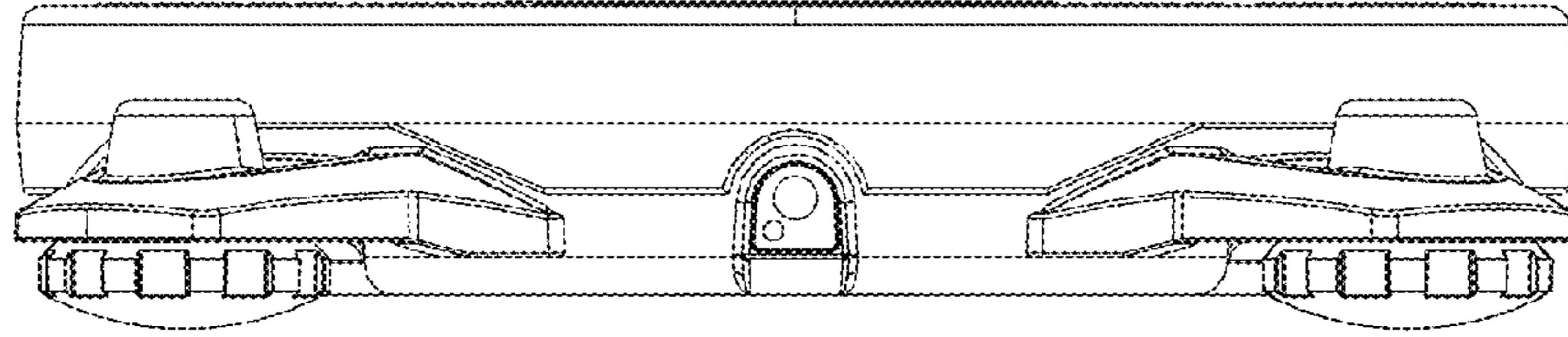


FIG. 3

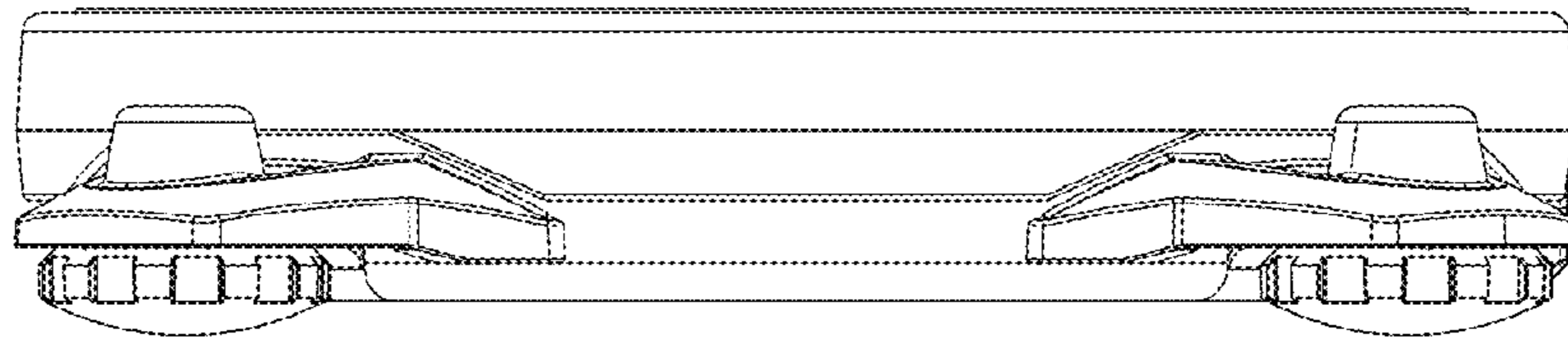


FIG. 4

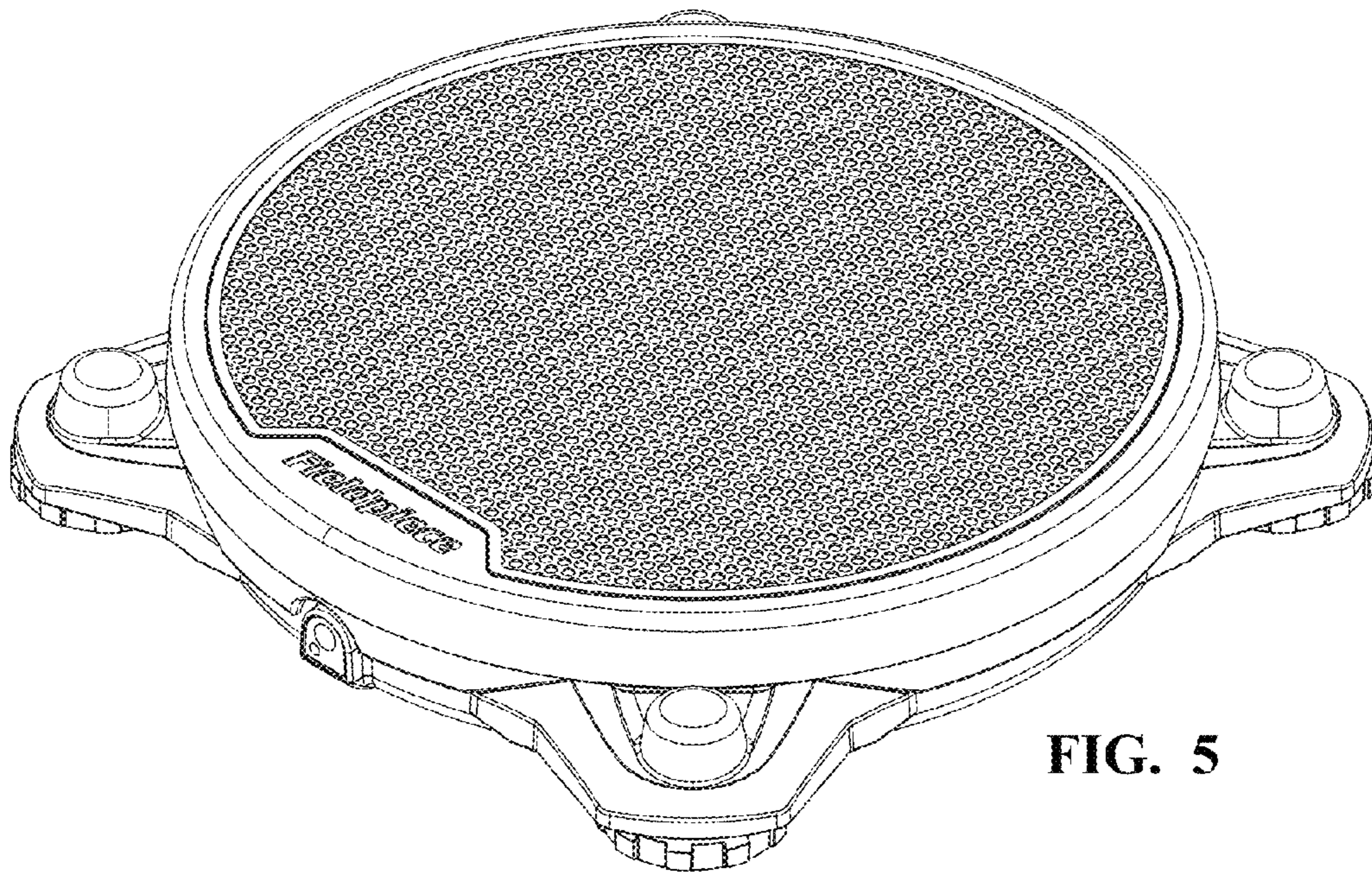


FIG. 5