



US00D703554S

(12) **United States Design Patent**
Emmenegger et al.

(10) **Patent No.:** **US D703,554 S**

(45) **Date of Patent:** **** Apr. 29, 2014**

(54) **WRISTWATCH**

(71) Applicant: **Sowind SA**, La Chaux-de-Fonds (CH)

(72) Inventors: **Claude Emmenegger**, La Chaux-de-Fonds (CH); **Marjorie Cugney**, La Chaux-de-Fonds (CH)

(73) Assignee: **Sowind SA**, La Chaux-de-Fonds (CH)

(**) Term: **14 Years**

(21) Appl. No.: **29/468,110**

(22) Filed: **Sep. 26, 2013**

(30) **Foreign Application Priority Data**

Mar. 27, 2013 (CH) 139675

(51) **LOC (10) CL.** **10-02**

(52) **U.S. CL.**
USPC **D10/32**

(58) **Field of Classification Search**
USPC D10/30-39, 122-132; 368/276, 281, 368/282, 80, 223, 228, 16-18; D11/3
See application file for complete search history.

(56) **References Cited**

U.S. PATENT DOCUMENTS

2,361,563	A *	10/1944	Pellaton	368/80
4,766,579	A *	8/1988	Sporning	368/190
5,086,416	A *	2/1992	Dubois et al.	368/18
6,570,823	B1 *	5/2003	Gilomen et al.	368/113
D518,743	S *	4/2006	Sugiura et al.	D10/32
7,170,824	B2 *	1/2007	Wilmouth et al.	368/18

D538,182	S *	3/2007	Lalo	D10/32
D551,095	S *	9/2007	Monachon	D10/32
D552,490	S *	10/2007	Laucella	D10/31
D576,891	S *	9/2008	Tripet	D10/33
D590,275	S *	4/2009	Monachon	D10/32
D593,880	S *	6/2009	Laucella	D10/39
D608,223	S *	1/2010	Salanitro	D10/38
D611,843	S *	3/2010	Jorst et al.	D10/39
D616,767	S *	6/2010	Laucella	D10/39
7,773,462	B2 *	8/2010	Vuilleumier et al.	368/18
D628,908	S *	12/2010	Giannini	D10/32
D632,592	S *	2/2011	Actis-Datta	D10/32
D640,145	S *	6/2011	Goto	D10/32
D648,638	S *	11/2011	Monachon	D10/39
D649,889	S *	12/2011	Giannini	D10/32
D673,866	S *	1/2013	Duport	D10/32

* cited by examiner

Primary Examiner — Lucy Lieberman

(74) *Attorney, Agent, or Firm* — Sughrue Mion, PLLC

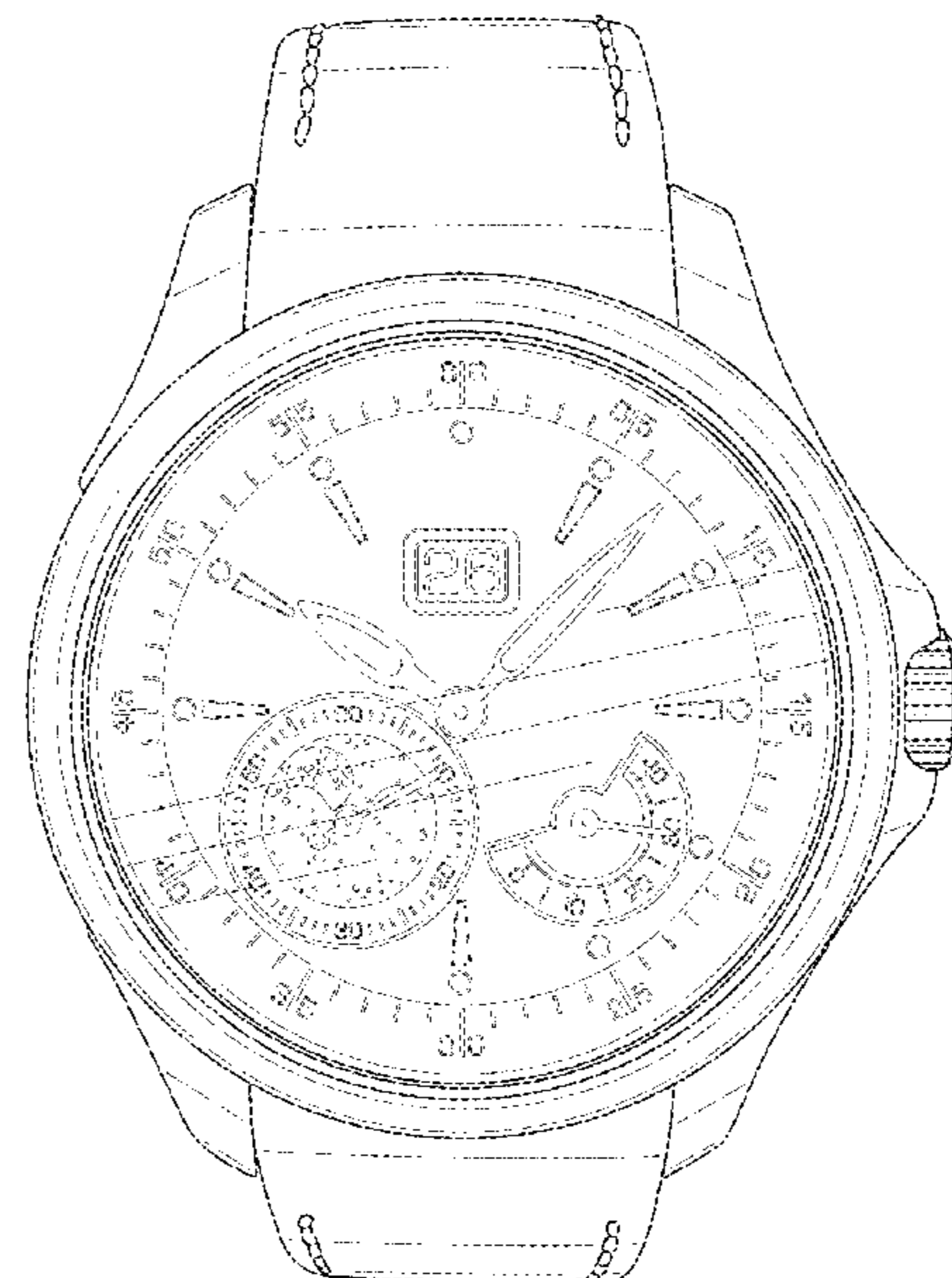
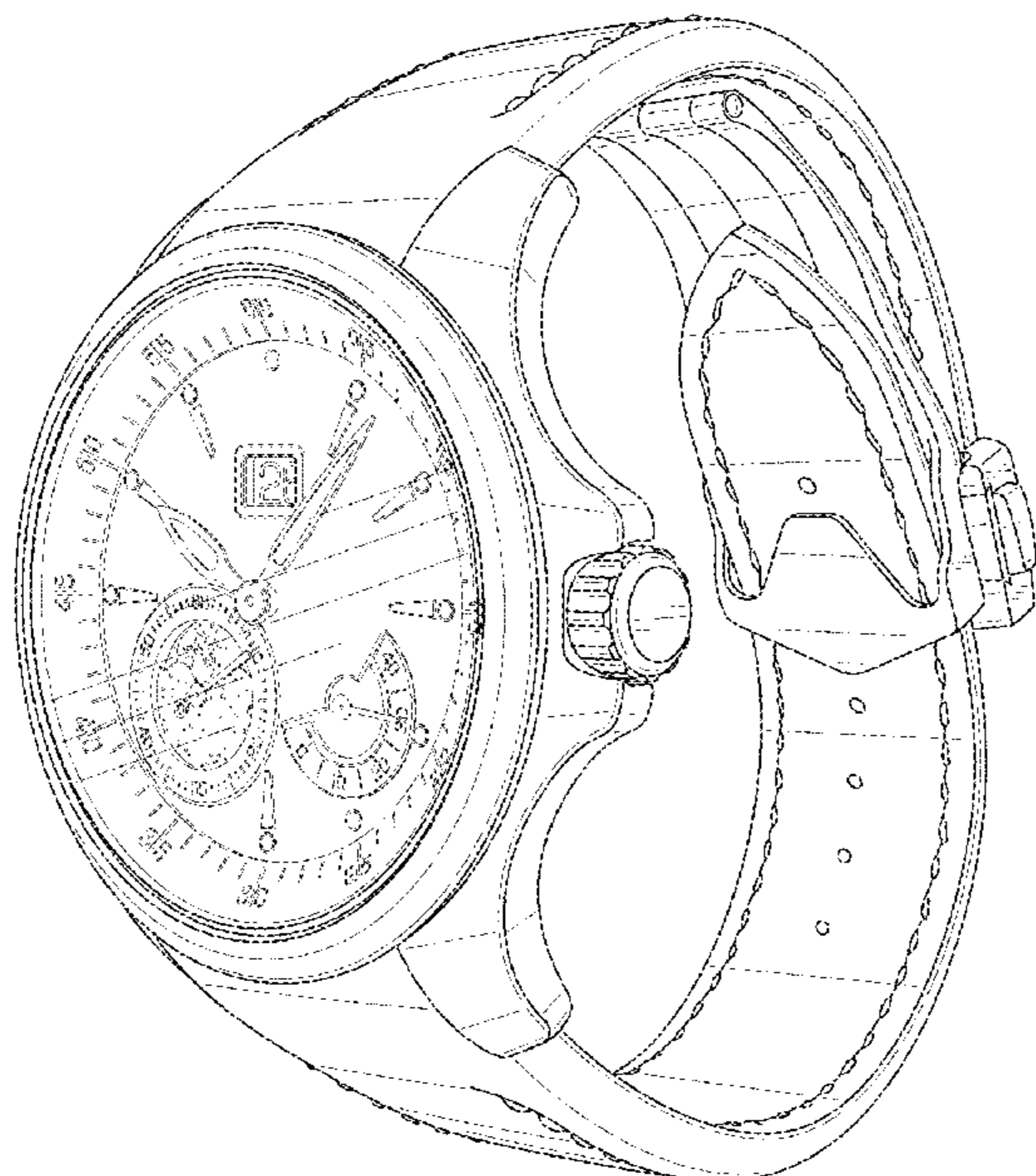
(57) **CLAIM**

The ornamental design for a wristwatch, as shown and described.

DESCRIPTION

FIG. 1 is a front and side perspective view of a wristwatch showing my new design;
FIG. 2 is a rear and side perspective view thereof;
FIG. 3 is a front elevational view thereof;
FIG. 4 is a rear elevational view thereof;
FIG. 5 is a left side elevational view thereof;
FIG. 6 is a right side elevational view thereof;
FIG. 7 is a top plan view thereof; and,
FIG. 8 is a bottom plan view.

1 Claim, 8 Drawing Sheets



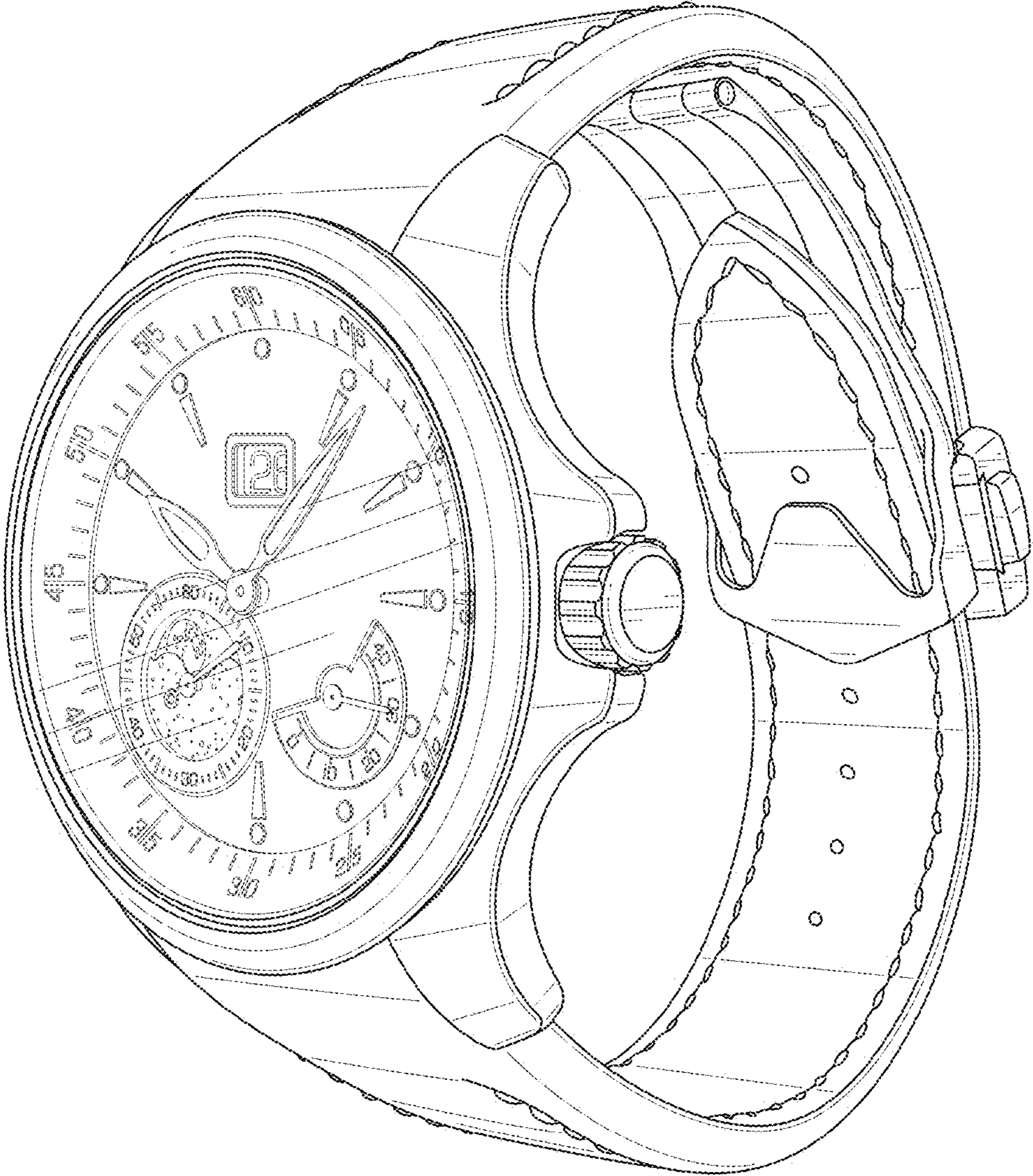


FIG. 1

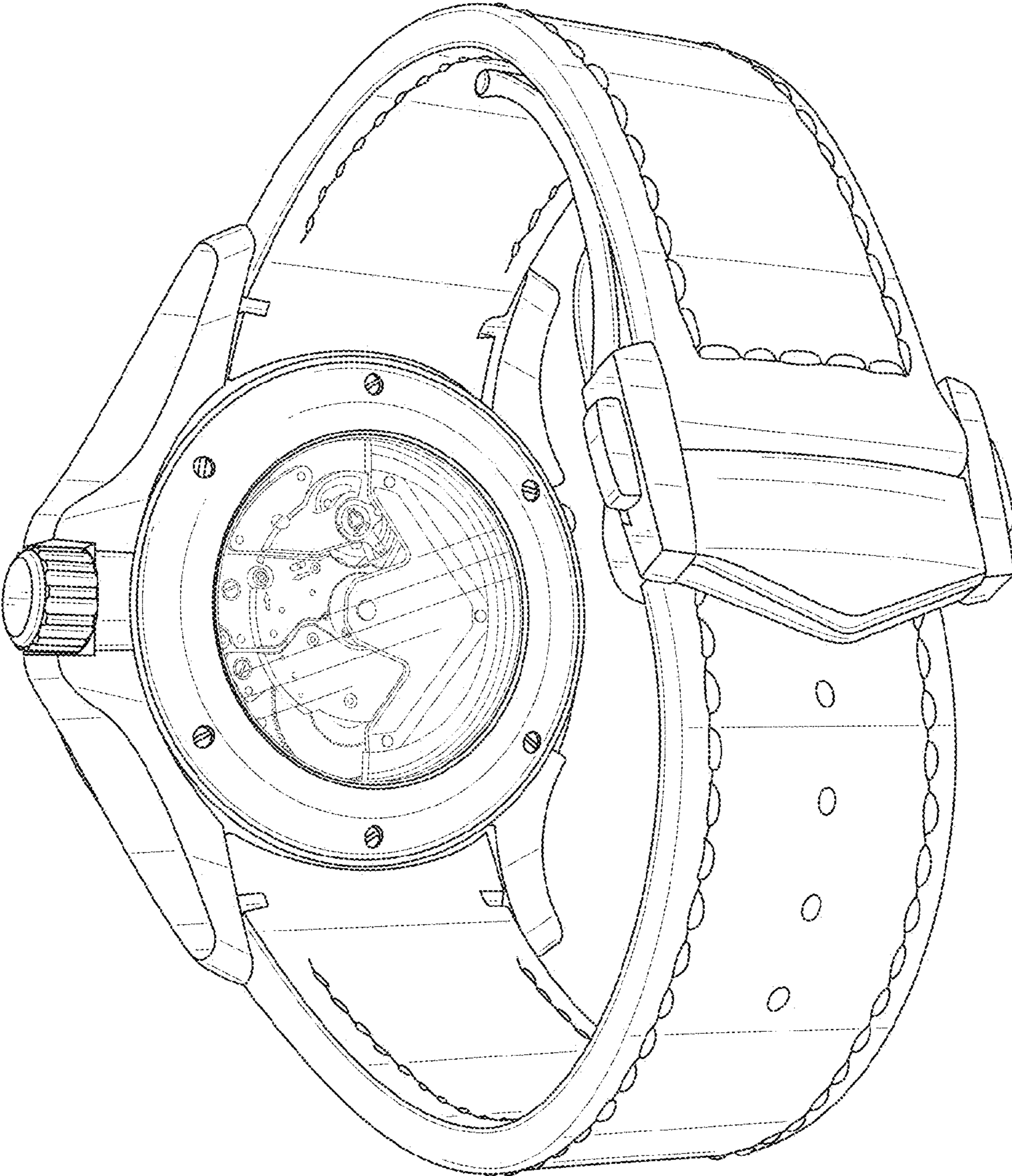


FIG. 2



FIG. 3

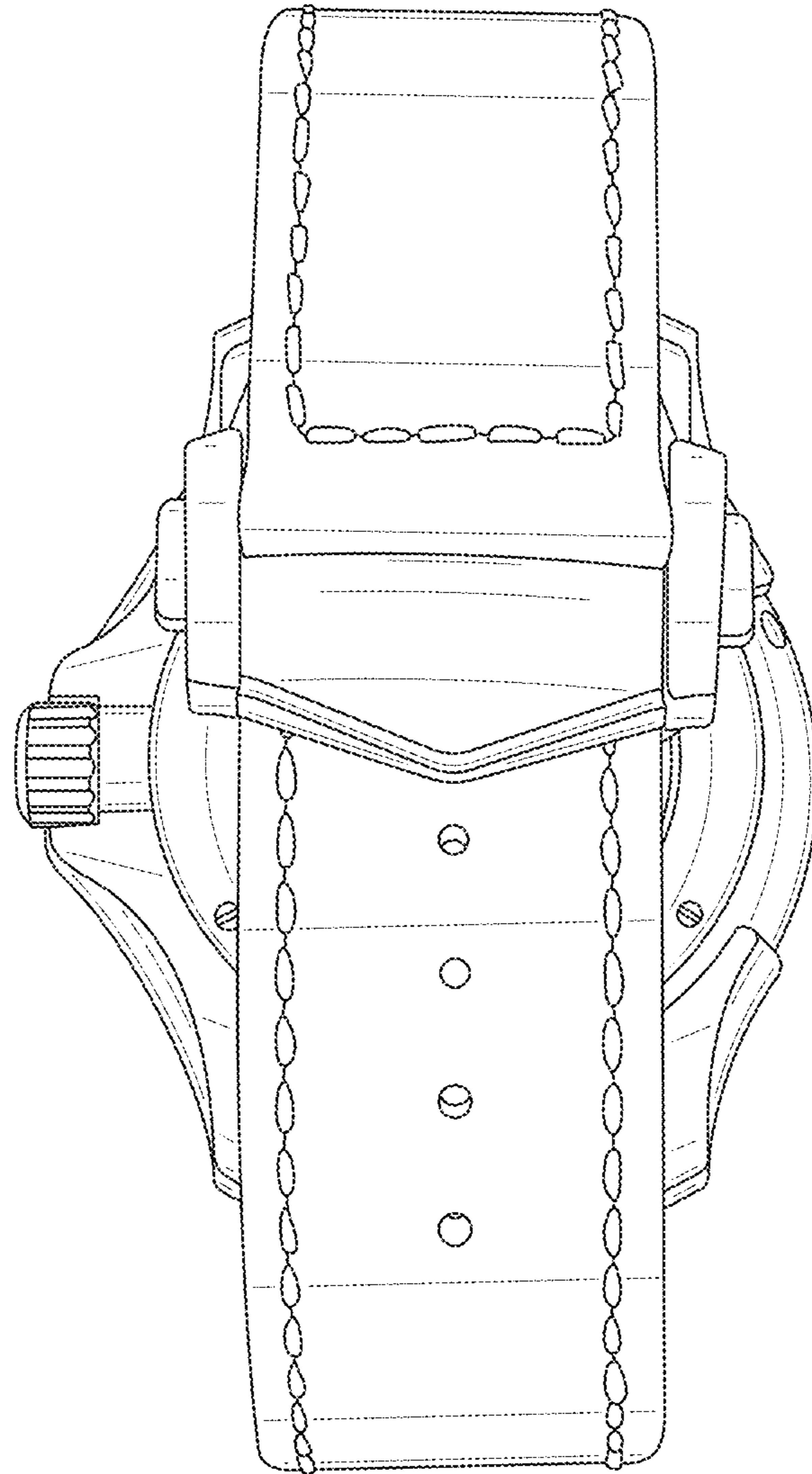


FIG. 4

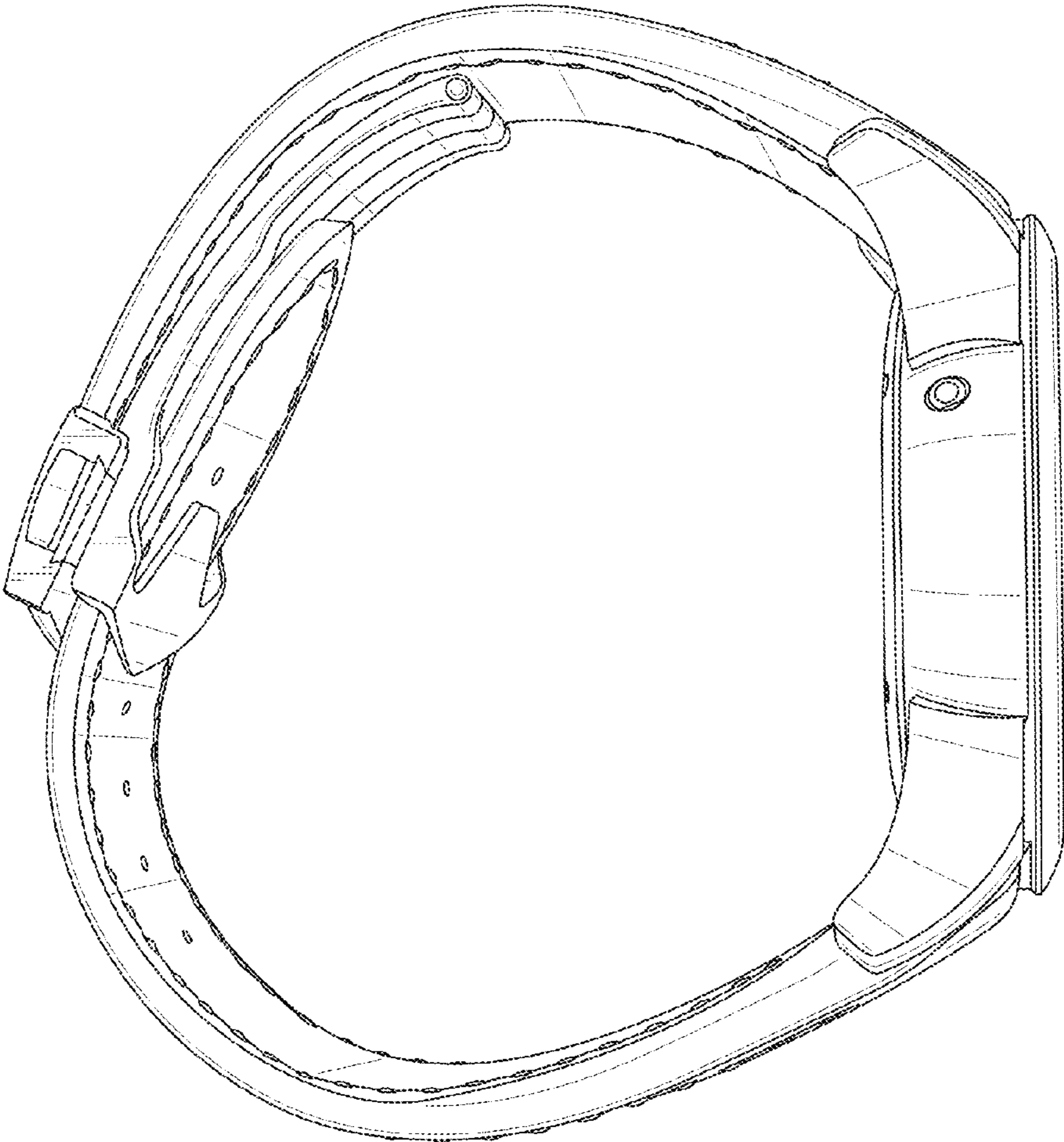


FIG. 5

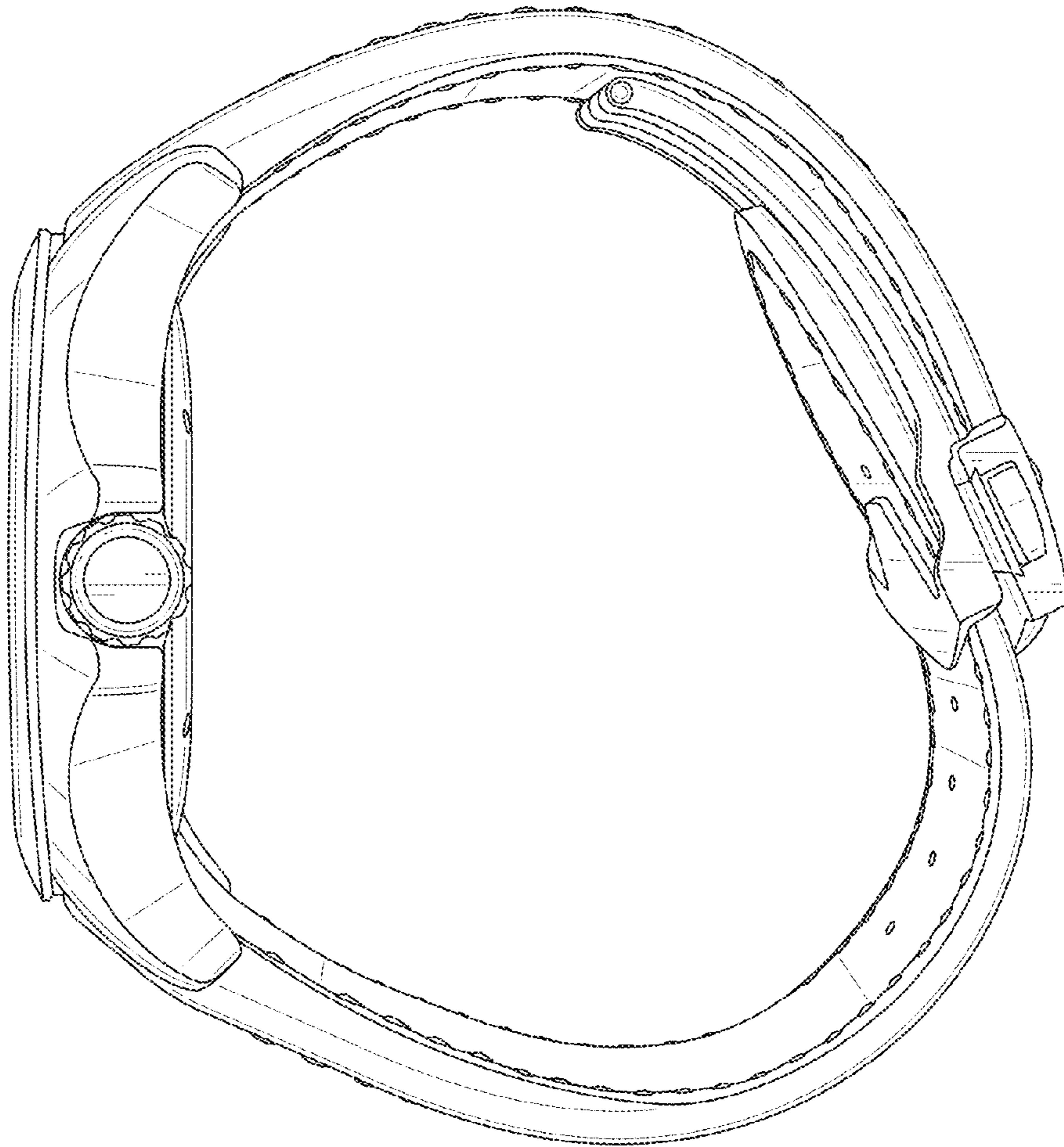


FIG. 6

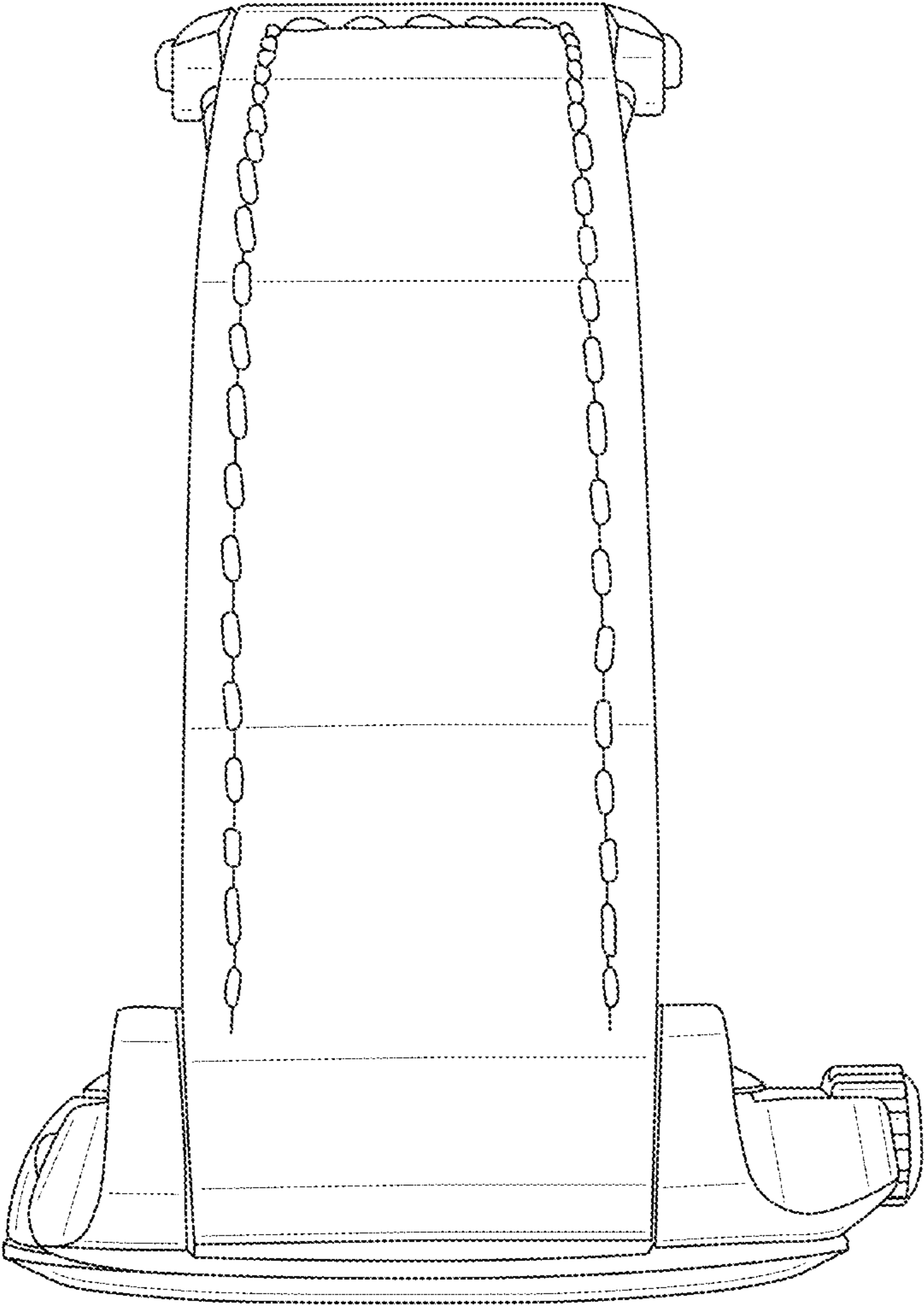


FIG. 7

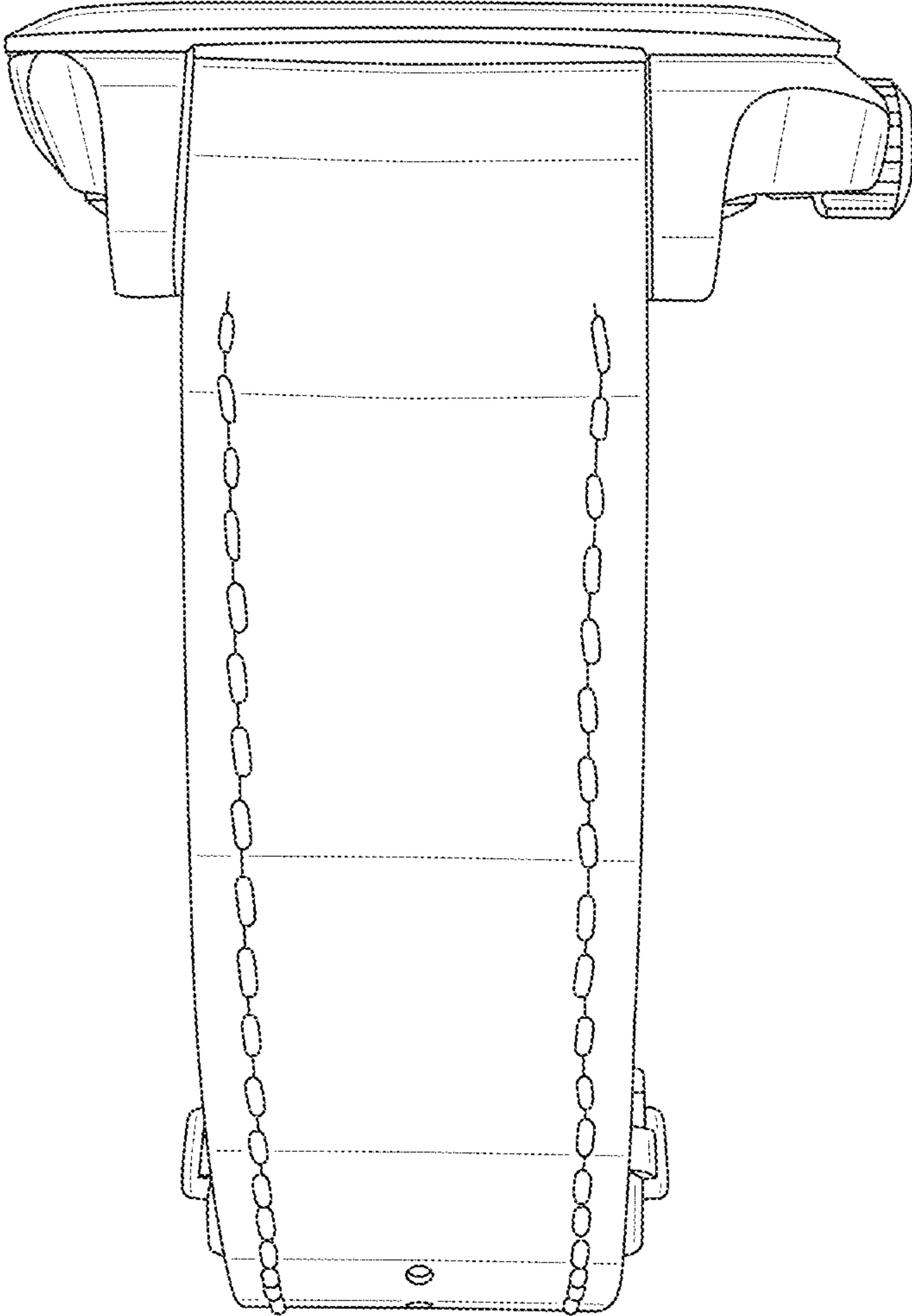


FIG. 8