



US00D703551S

(12) **United States Design Patent**
Kirchmayr et al.

(10) **Patent No.:** **US D703,551 S**
(45) **Date of Patent:** **** Apr. 29, 2014**

(54) **PACKAGE FOR A MEDICINAL PRODUCT**

(71) Applicant: **Takeda Nycomed AS**, Asker (NO)

(72) Inventors: **Siegfried Kirchmayr**, Luftenberg (AT);
Meinolf Vogt, St. Gotthard (AT)

(73) Assignee: **Takeda Nycomed AS**, Asker (NO)

(**) Term: **14 Years**

(21) Appl. No.: **29/455,641**

(22) Filed: **May 22, 2013**

(51) **LOC (10) Cl.** **09-01**

(52) **U.S. Cl.**
USPC **D9/732**; D9/424

(58) **Field of Classification Search**
USPC D9/415, 416, 418, 419, 424, 433, 437,
D9/457, 732, 730, 756, 759, 902; 206/461,
206/462, 469, 471, 484, 485, 486, 493, 528,
206/531, 532, 534, 533, 538, 539,
206/775-783; D24/121, 227, 229, 224;
D7/538, 541, 546, 549, 553.3, 555,
D7/586; D3/203.2, 203.3, 310, 309, 311,
D3/312, 313

See application file for complete search history.

(56) **References Cited**

U.S. PATENT DOCUMENTS

3,075,639	A *	1/1963	Lingley	206/366
D199,200	S *	9/1964	Fritsche	D9/732
3,299,604	A *	1/1967	Kraut	53/427
D250,092	S *	10/1978	Schoenfield et al.	D9/414
D261,483	S *	10/1981	Thorpe	D9/425
D268,167	S *	3/1983	Fox	D9/415

4,569,442	A *	2/1986	Bushey	206/469
4,722,733	A *	2/1988	Howson	604/411
4,986,421	A *	1/1991	Lipsitz	206/459.5
5,002,187	A *	3/1991	Rysner et al.	206/461
5,027,947	A *	7/1991	Reighart	206/335
5,038,974	A *	8/1991	DaCosta	222/106
D330,855	S *	11/1992	Demopoulos	D9/415
D408,279	S *	4/1999	Fracassi et al.	D9/415
6,016,914	A *	1/2000	Gustafson	206/470
6,070,723	A *	6/2000	Lewis	206/335
D584,606	S *	1/2009	Wintmolders et al.	D9/415
8,528,736	B2 *	9/2013	Teys et al.	206/532
2004/0226848	A1 *	11/2004	Dunn-Rankin	206/461
2008/0105579	A1 *	5/2008	Arndt	206/438
2012/0223075	A1 *	9/2012	Teys et al.	220/268

* cited by examiner

Primary Examiner — Derrick Holland

Assistant Examiner — Lauren Calve

(74) *Attorney, Agent, or Firm* — Manatt, Phelps & Phillips, LLP

(57) **CLAIM**

The ornamental design for a package for a medicinal product, as shown and described.

DESCRIPTION

FIG. 1 is a bottom perspective view of a package for a medicinal product showing the new design.

FIG. 2 is a bottom plan view thereof.

FIG. 3 is a top plan view thereof.

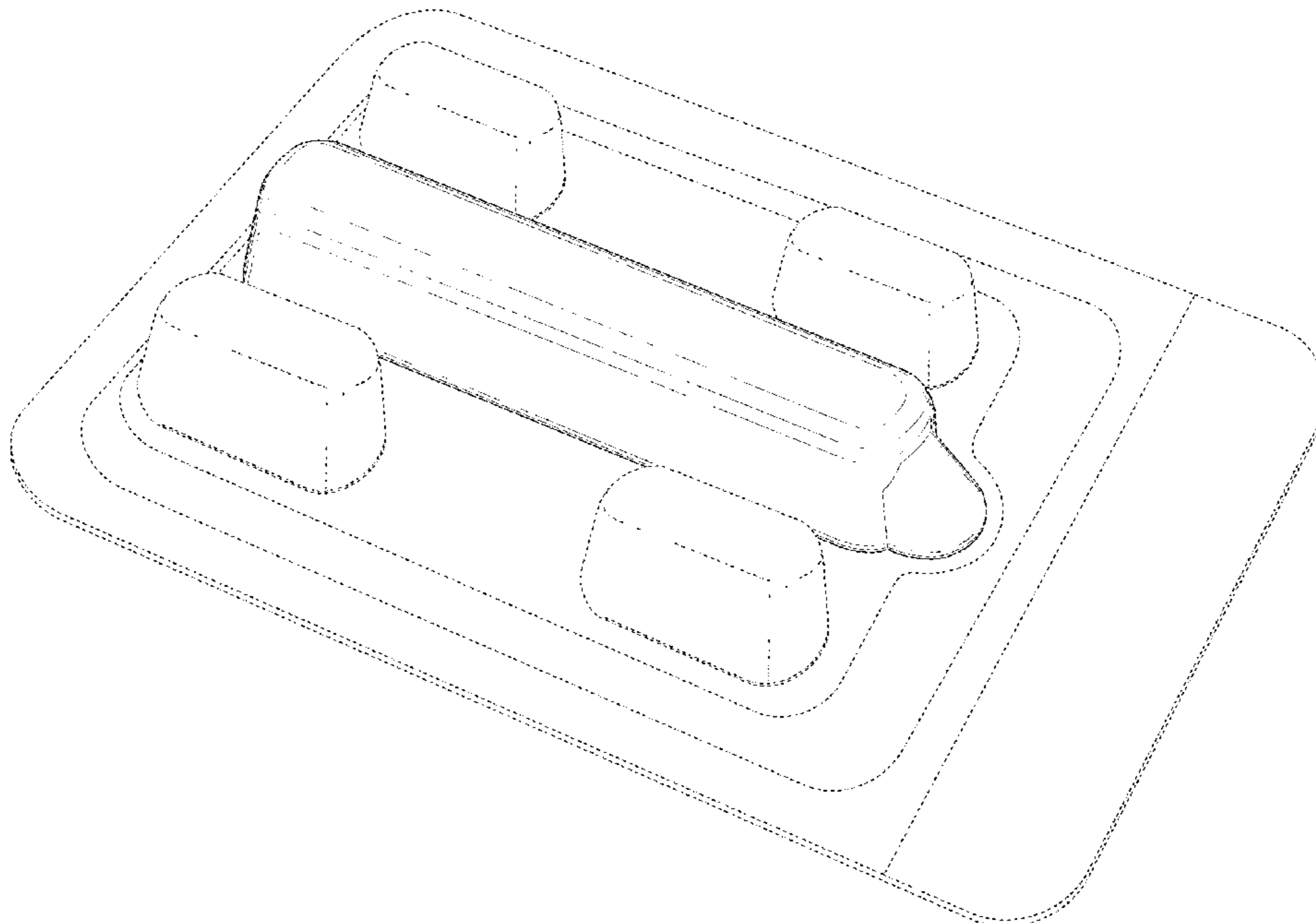
FIG. 4 is a front elevation view thereof.

FIG. 5 is a rear elevation view thereof; and,

FIG. 6 is a side view thereof.

The broken lines shown in FIGS. 1-6 represent unclaimed subject matter and form no part of the claimed design.

1 Claim, 3 Drawing Sheets



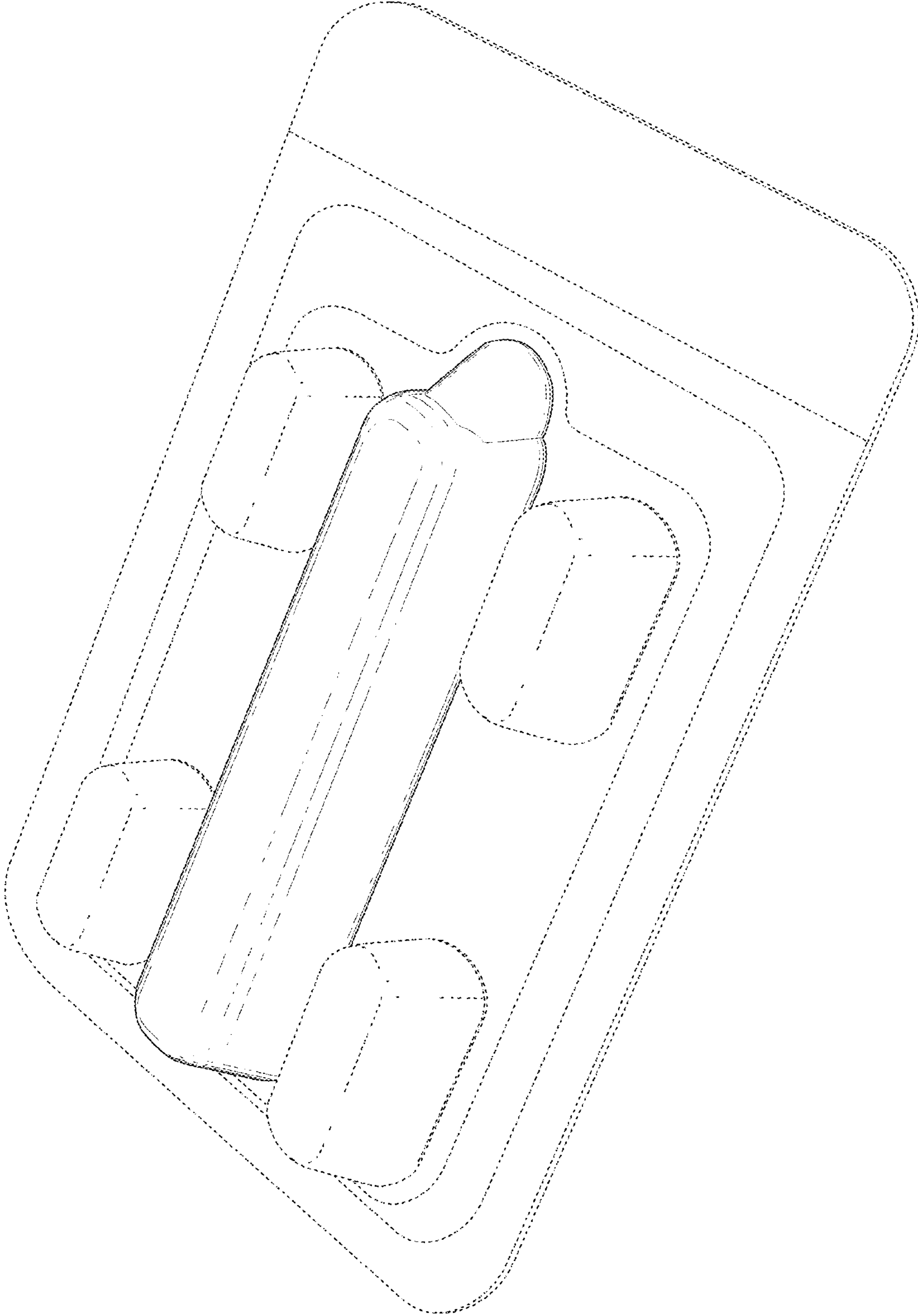


Fig. 1

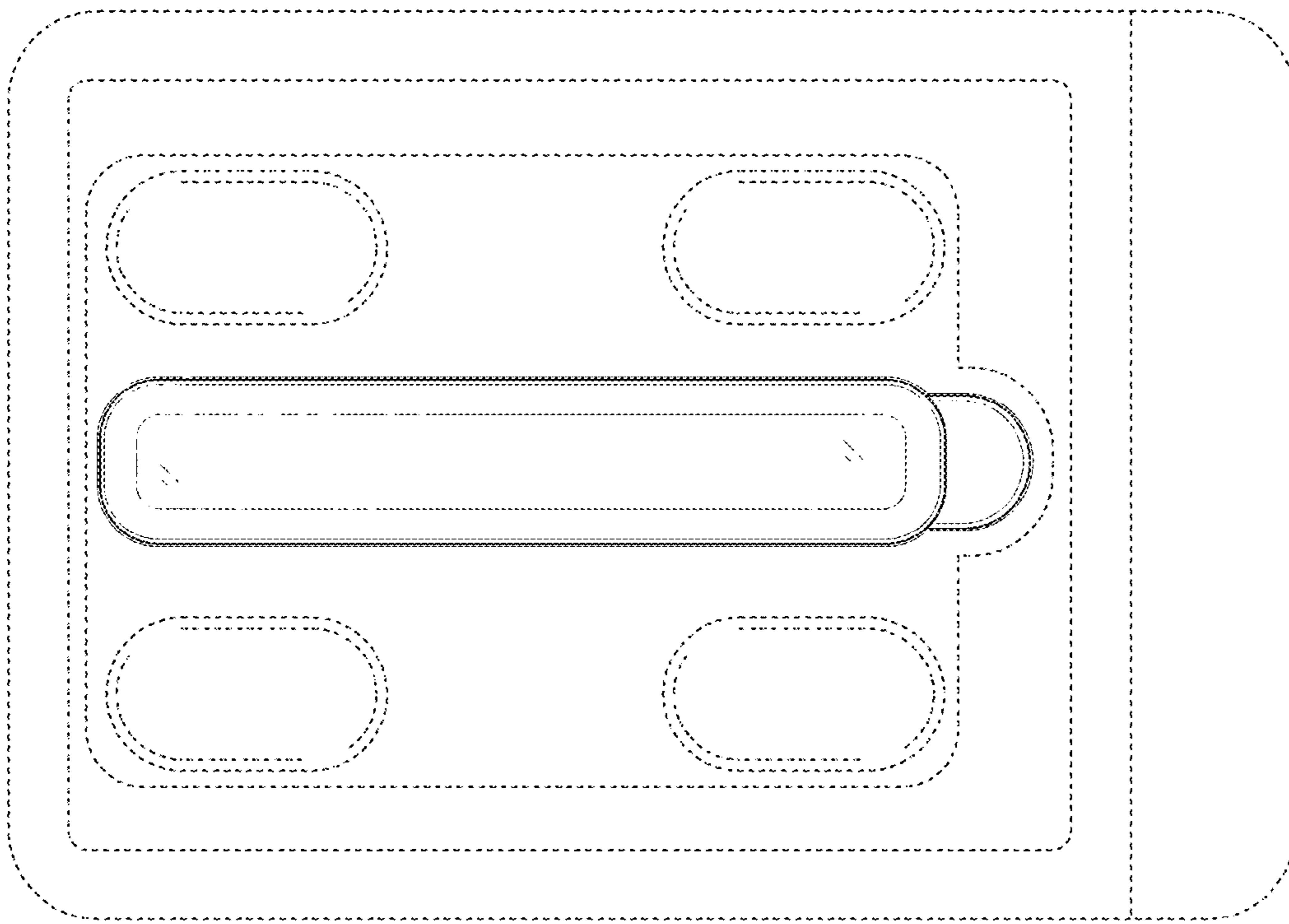


Fig. 2

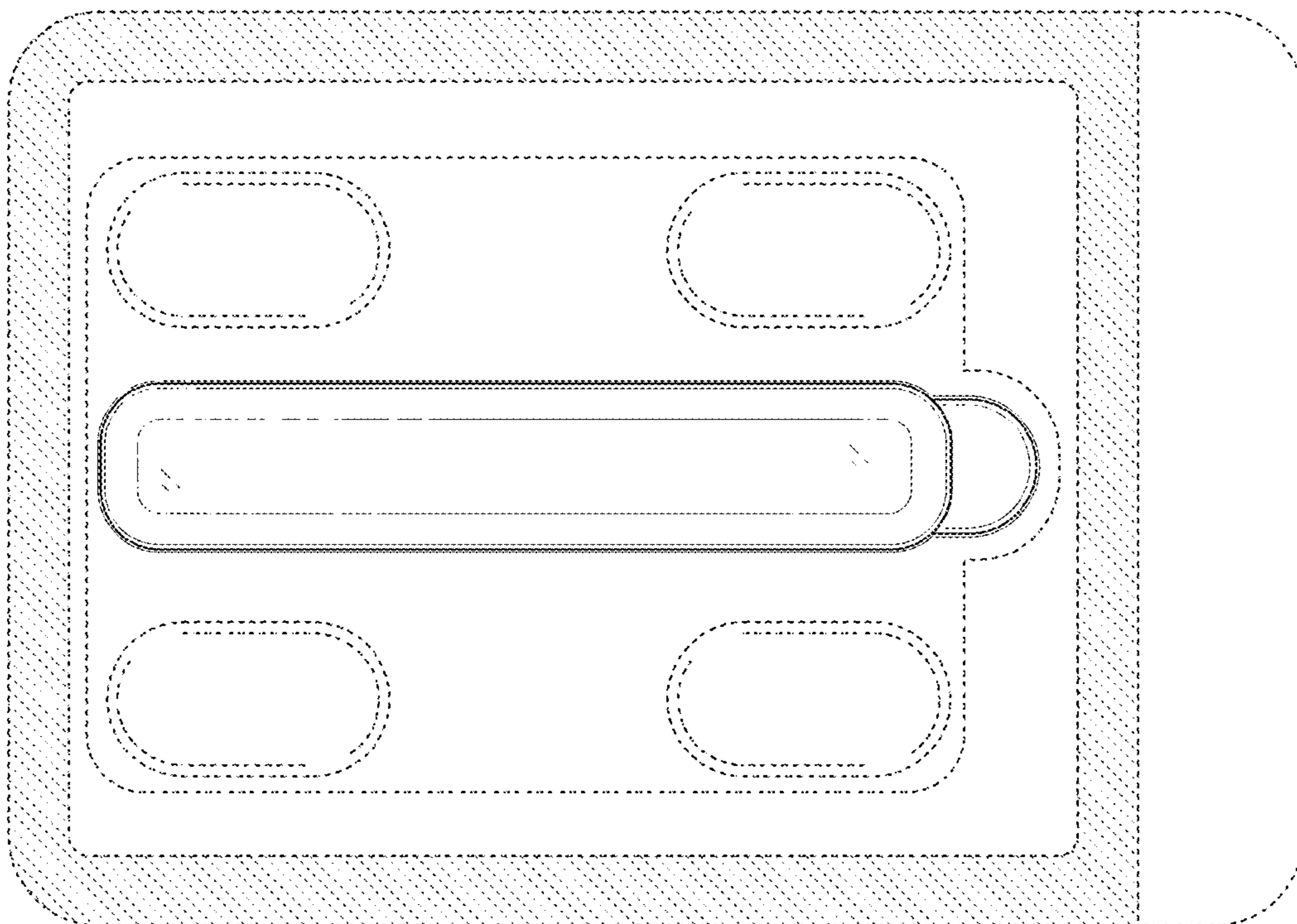


Fig. 3

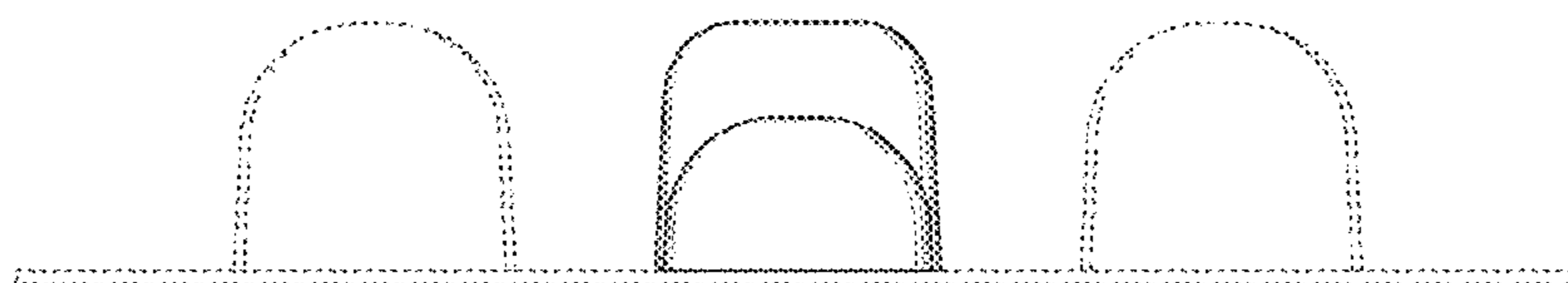


Fig. 4

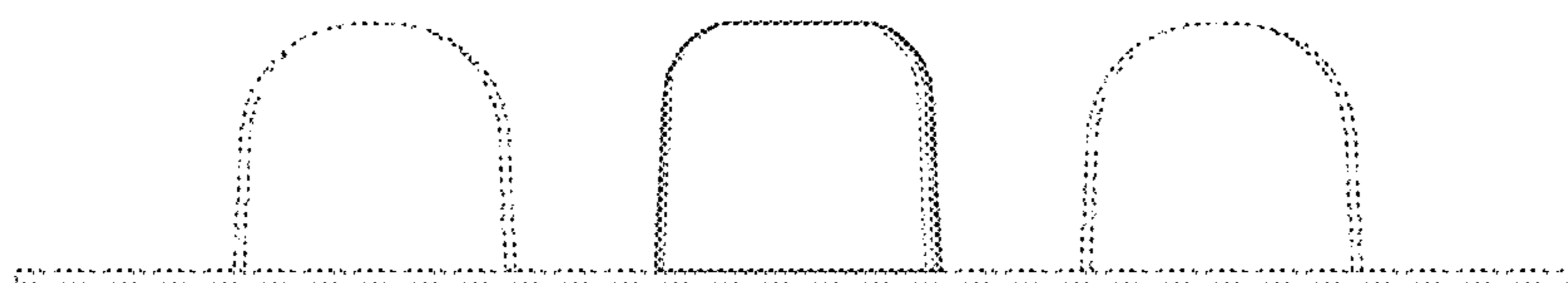


Fig. 5

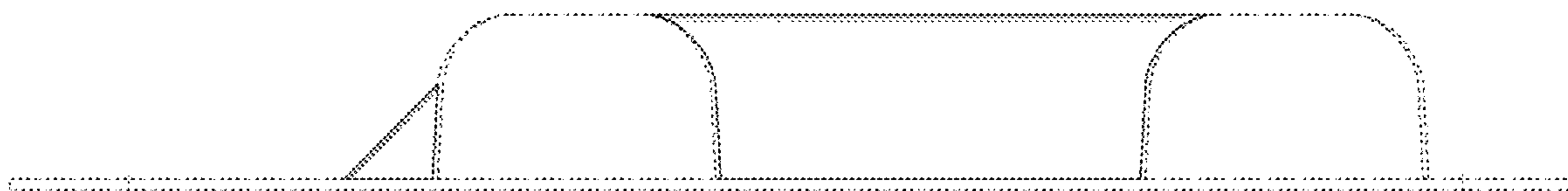


Fig. 6

UNITED STATES PATENT AND TRADEMARK OFFICE
CERTIFICATE OF CORRECTION

PATENT NO. : D703,551 S
APPLICATION NO. : 29/455641
DATED : April 29, 2014
INVENTOR(S) : Siegfried Kirchmayr et al.

Page 1 of 1

It is certified that error appears in the above-identified patent and that said Letters Patent is hereby corrected as shown below:

ON THE TITLE PAGE

Insert as Item (30):

--Foreign Application Priority Data
November 23, 2012 [EU].....002141861-0001--

Signed and Sealed this
Twenty-fourth Day of May, 2016



Michelle K. Lee
Director of the United States Patent and Trademark Office