



US00D703549S

(12) **United States Design Patent**
Murray

(10) **Patent No.:** **US D703,549 S**
(45) **Date of Patent:** **** Apr. 29, 2014**

- (54) **FLEXIBLE POUCH**
- (71) Applicant: **R. Charles Murray**, Sarasota, FL (US)
- (72) Inventor: **R. Charles Murray**, Sarasota, FL (US)
- (73) Assignee: **Pouch Pac Innovations, LLC**, Sarasota, FL (US)
- (**) Term: **14 Years**
- (21) Appl. No.: **29/457,424**
- (22) Filed: **Jul. 29, 2013**
- (51) **LOC (10) Cl.** **09-05**
- (52) **U.S. Cl.**
USPC **D9/707**
- (58) **Field of Classification Search**
USPC D9/702-714, 720-722, 414, 434-435,
D9/696, 716, 771, 447, 516-517, 738-747,
D9/544; D24/118, 207; 383/6, 9, 22, 96,
383/61.1, 80-81, 104, 901, 63, 203, 107,
383/119-120, 123; 220/675; 215/381-385,
215/400; 206/484; D3/202; 428/34.3
See application file for complete search history.

- D676,763 S * 2/2013 Kenmotsu et al. D9/707
- D678,079 S * 3/2013 Fritsch et al. D9/710
- D688,139 S * 8/2013 Larkin et al. D9/709
- D690,605 S * 10/2013 Hong et al. D9/710
- D694,648 S * 12/2013 Anastasiadis et al. D9/707
- D694,649 S * 12/2013 Ferber D9/708

* cited by examiner

Primary Examiner — Caron D Veynar

Assistant Examiner — Abraham Bahta

(74) *Attorney, Agent, or Firm* — Gifford, Krass, Sprinkle,
Anderson & Citkowski, P.C.

(57) **CLAIM**

The ornamental design for a flexible pouch, as shown and described.

DESCRIPTION

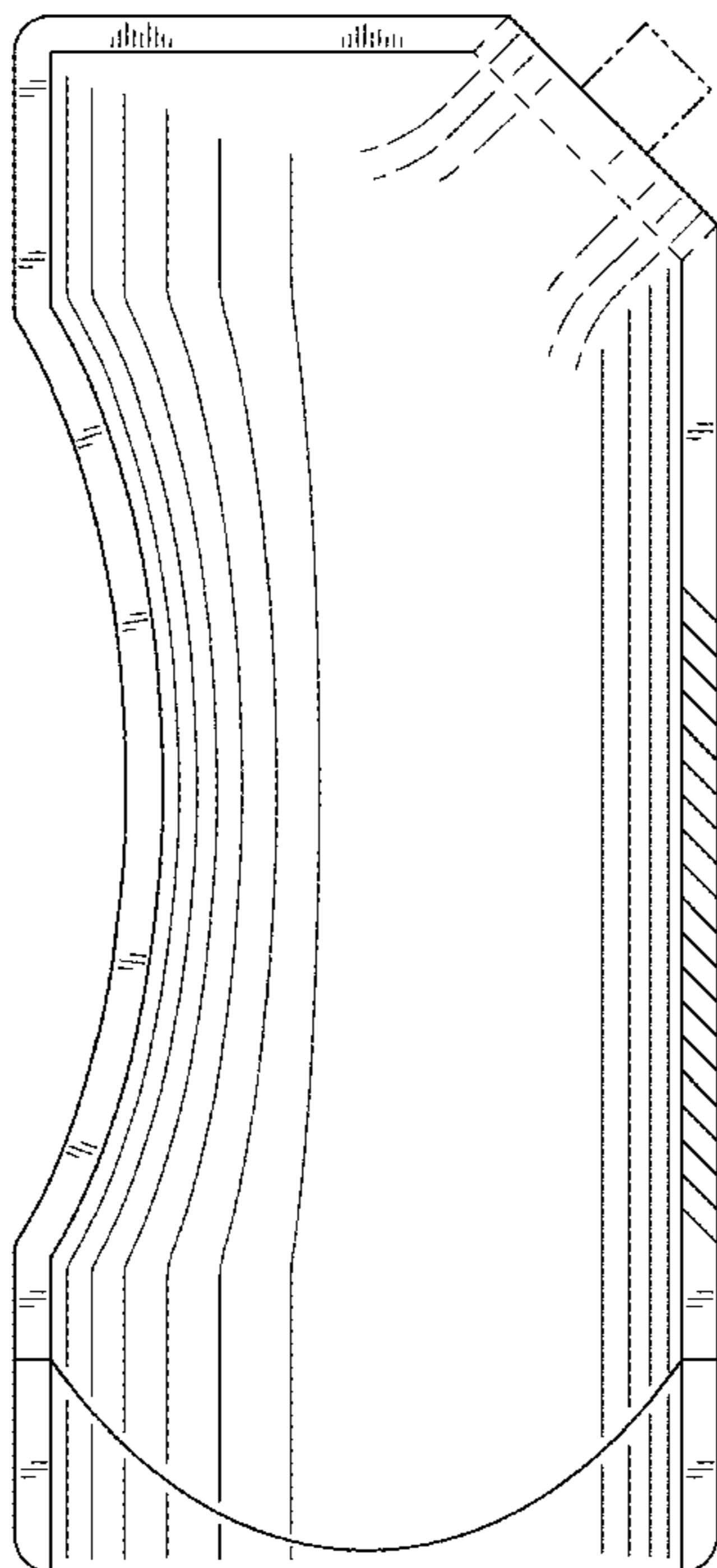
FIG. 1 is a perspective view of the side of the flexible pouch;
 FIG. 2 is a perspective view of the other side of the flexible pouch;
 FIG. 3 is an elevational view of the side of the flexible pouch;
 FIG. 4 is a plan top view of the flexible pouch;
 FIG. 5 is an elevational view of the front of the flexible pouch;
 FIG. 6 is an elevational view of the other side of the flexible pouch;
 FIG. 7 is an elevated view of the back of the flexible pouch;
 and,
 FIG. 8 is a plan bottom view of the flexible pouch.
 It should be appreciated that the broken lines are merely illustrative of the environment of the design, and not part of the claimed design.

(56) **References Cited**

U.S. PATENT DOCUMENTS

- D557,614 S 12/2007 Murray
- D571,672 S 6/2008 Murray
- D639,185 S * 6/2011 Hung D9/709
- D645,762 S * 9/2011 Hong et al. D9/710
- D669,795 S * 10/2012 Larkin et al. D9/707

1 Claim, 3 Drawing Sheets



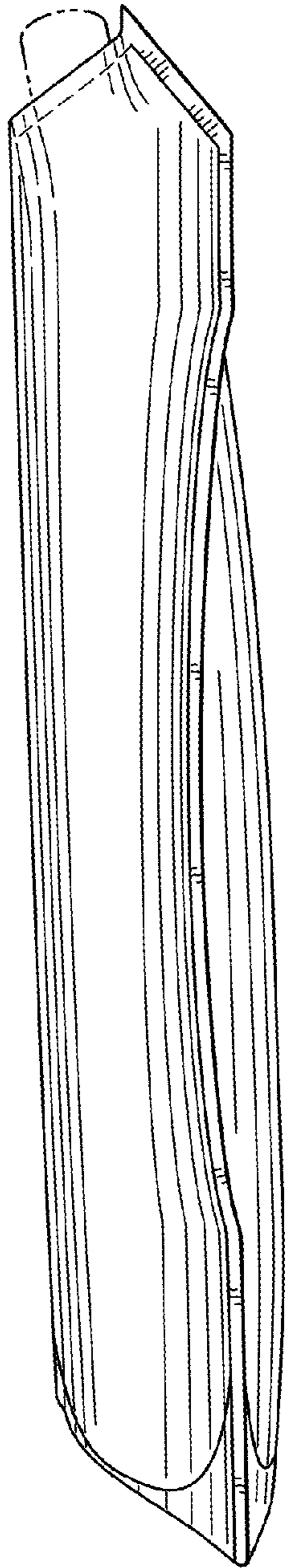


FIG. 1

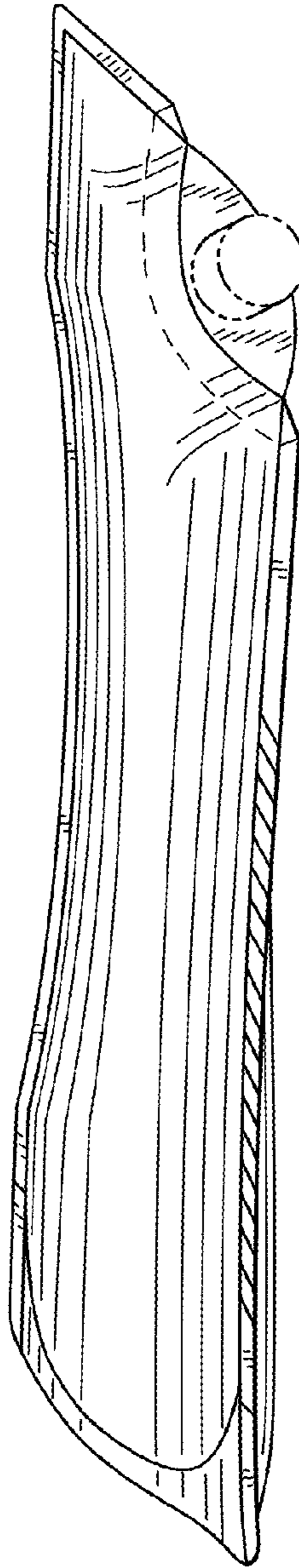


FIG. 2

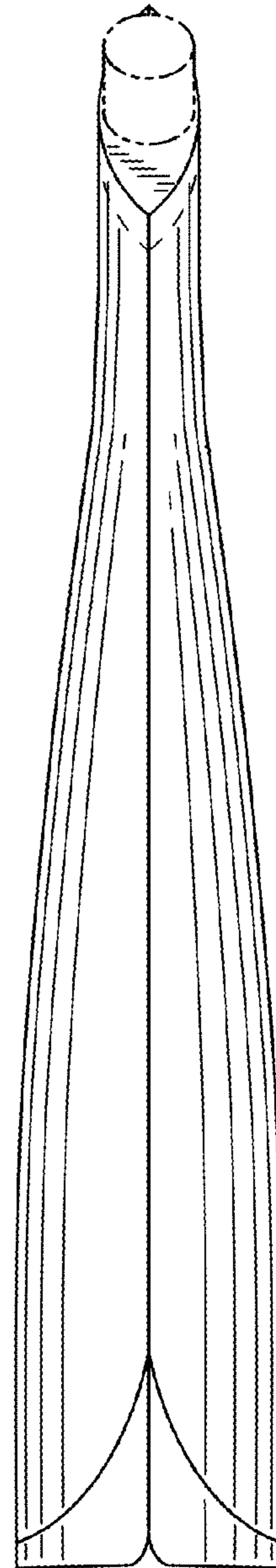


FIG. 3

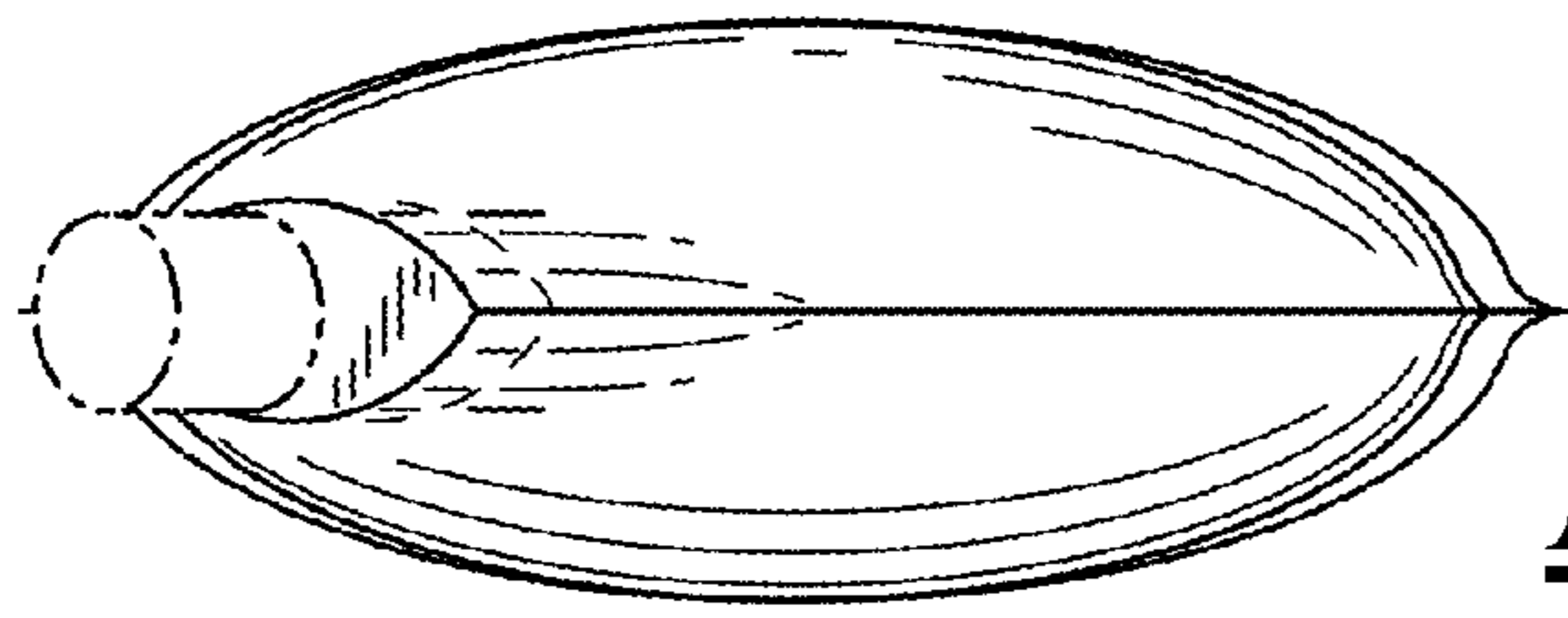


FIG. 4

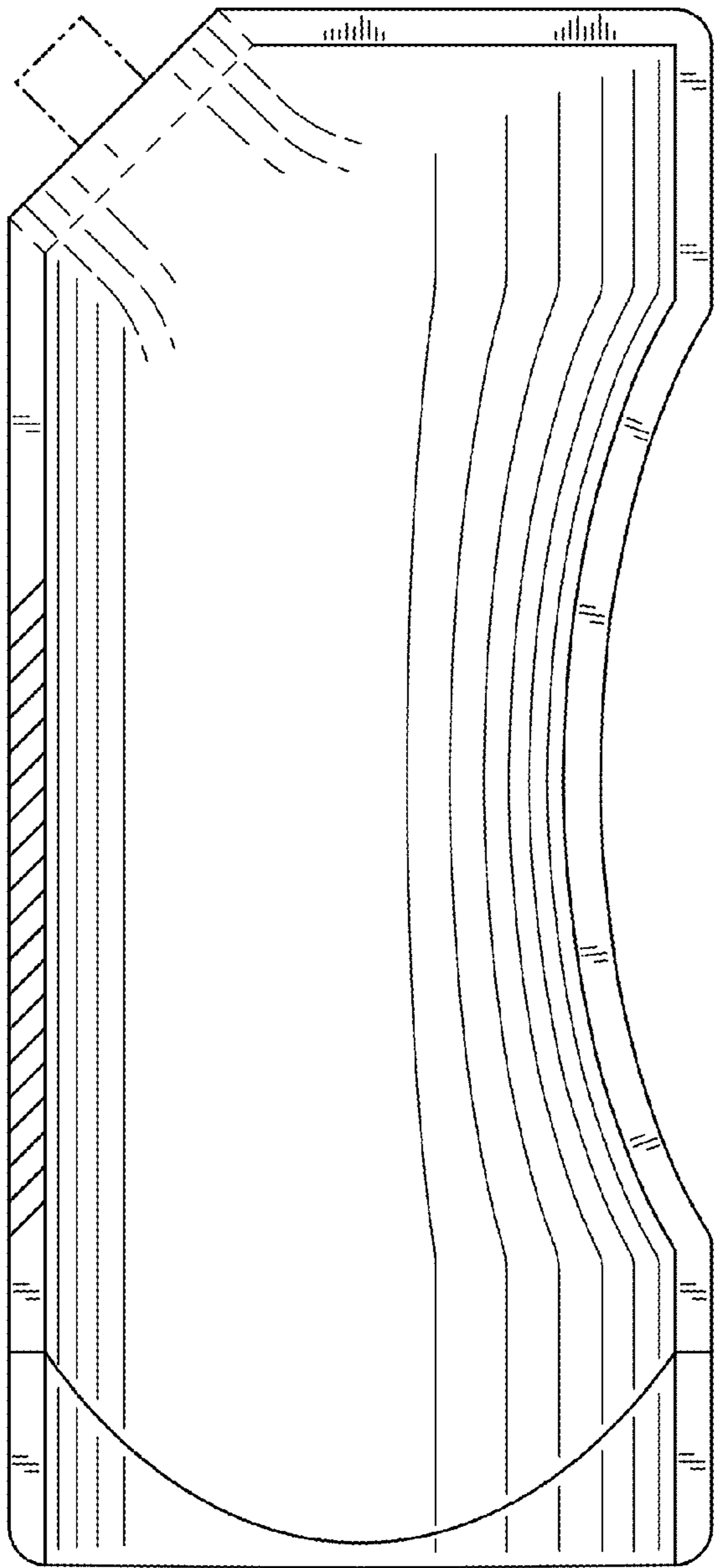


FIG. 5

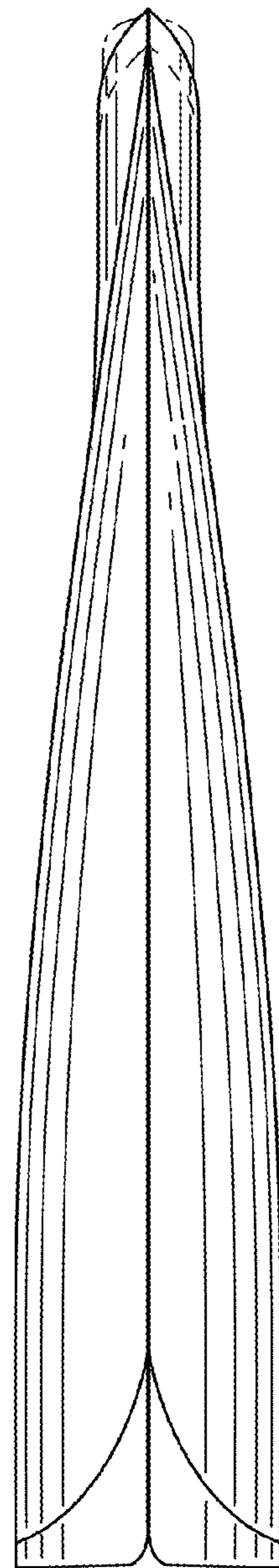


FIG. 6

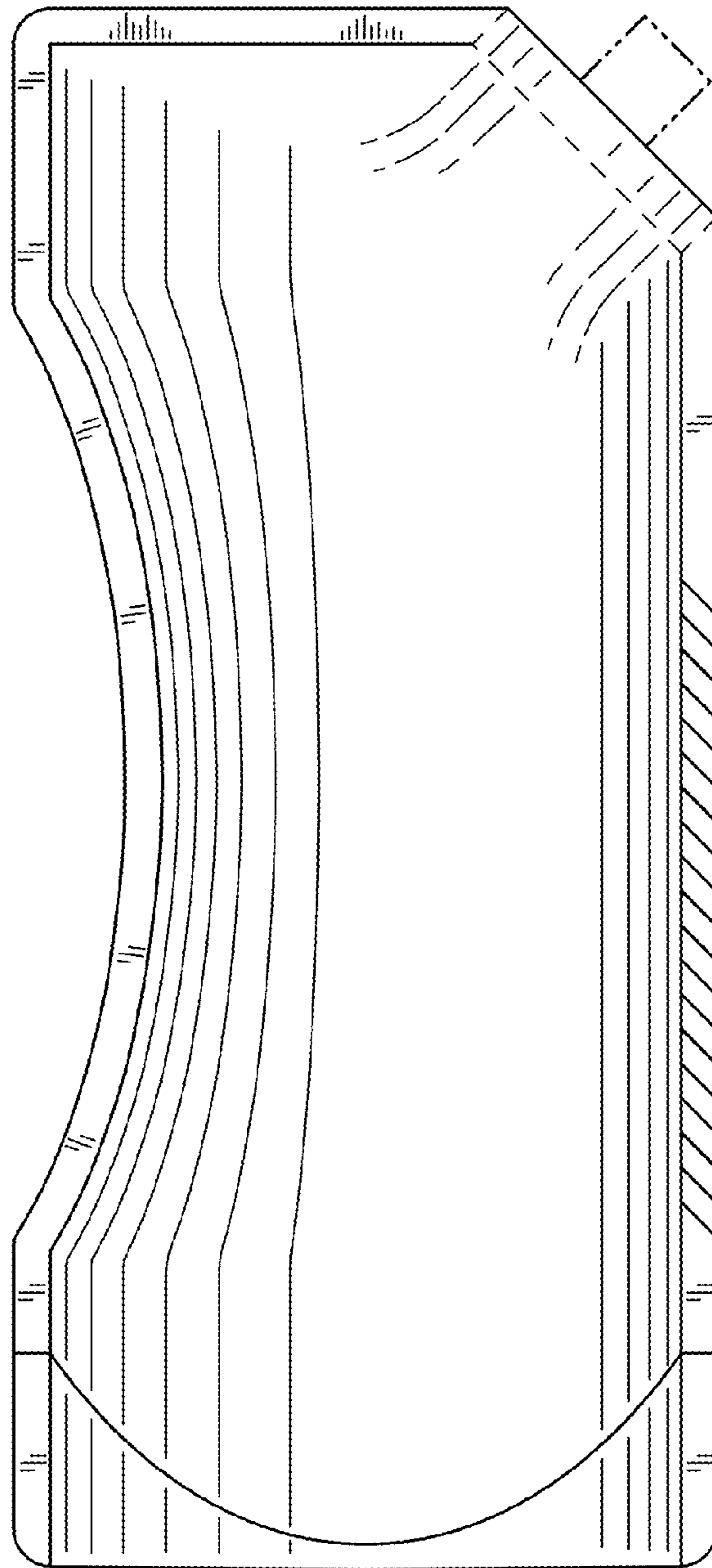


FIG. 7

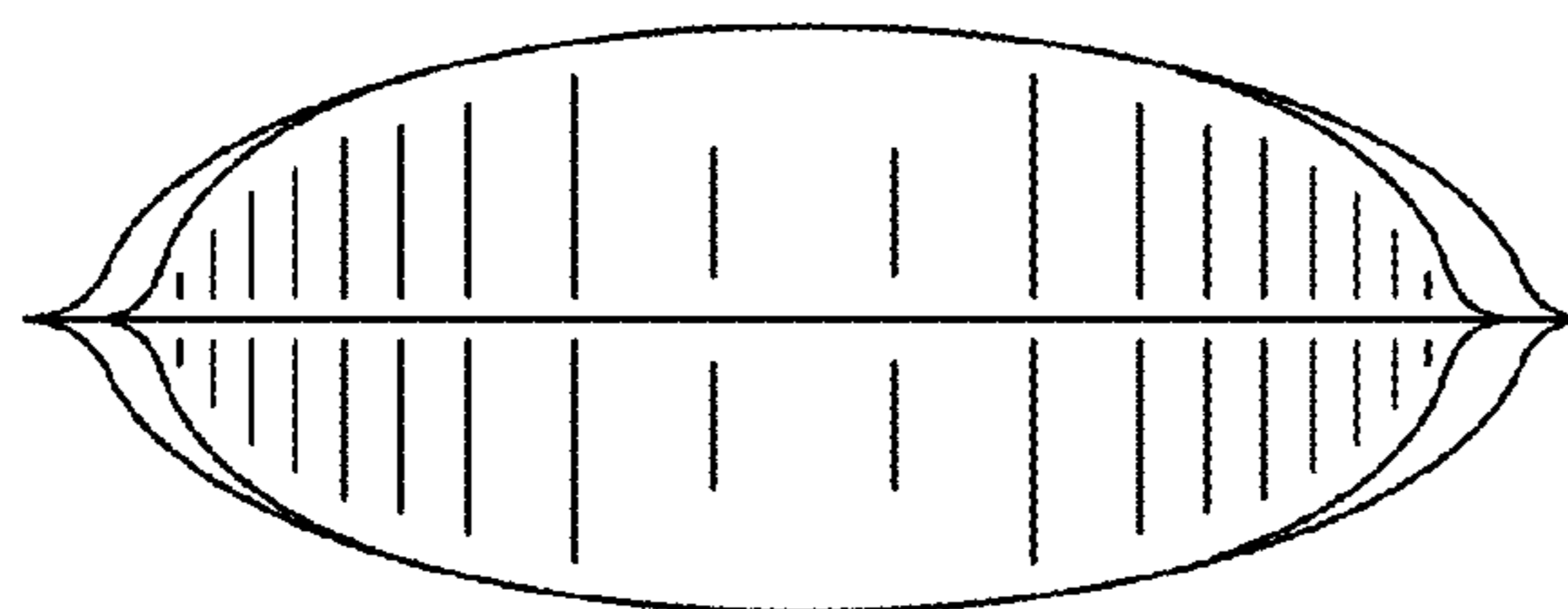


FIG. 8