



US00D703547S

(12) **United States Design Patent**
France et al.

(10) **Patent No.:** **US D703,547 S**
(45) **Date of Patent:** **** Apr. 29, 2014**

(54) **MICROWAVABLE BAG**
(75) Inventors: **David W. France**, Omaha, NE (US);
Clifton Lachmansingh, South Haven,
MN (US)

2,673,805 A 3/1954 Colman
2,673,806 A 3/1954 Colman
2,740,576 A 4/1956 Franck
2,741,559 A 4/1956 Banowitz
2,815,164 A 12/1957 Painter

(Continued)

(73) Assignee: **ConAgra Foods RDM, Inc.**, Omaha,
NE (US)

FOREIGN PATENT DOCUMENTS

(**) Term: **14 Years**

DE 1786047 11/1972
DK 81544 12/1956

(Continued)

(21) Appl. No.: **29/394,183**

OTHER PUBLICATIONS

(22) Filed: **Jun. 14, 2011**

(51) **LOC (10) Cl.** **09-05**

U.S. Official Action mailed Feb. 23, 2012, in U.S. Appl. No.
11/970,349.

(52) **U.S. Cl.**

USPC **D9/703**

(Continued)

(58) **Field of Classification Search**

USPC D9/702-714, 720-722, 430-433, 414,
D9/418, 424; D3/303, 202, 203.1; 383/45,
383/47, 84, 100, 103, 107-108, 113-114,
383/200, 203, 205; 229/87.06, 87.08, 200;
426/106-107, 113, 120, 124, 234, 112,
426/243; 222/92, 107, 215, 206; 206/807,
206/260, 811, 103, 203, 207, 820; 219/725,
219/727, 735; 428/43

Primary Examiner — Caron D Veynar
Assistant Examiner — Abraham Bahta
(74) *Attorney, Agent, or Firm* — Advent, LLP; Ryan T.
Grace

See application file for complete search history.

(57)

CLAIM

The ornamental design for a microwavable bag, as shown and
described.

(56) **References Cited**

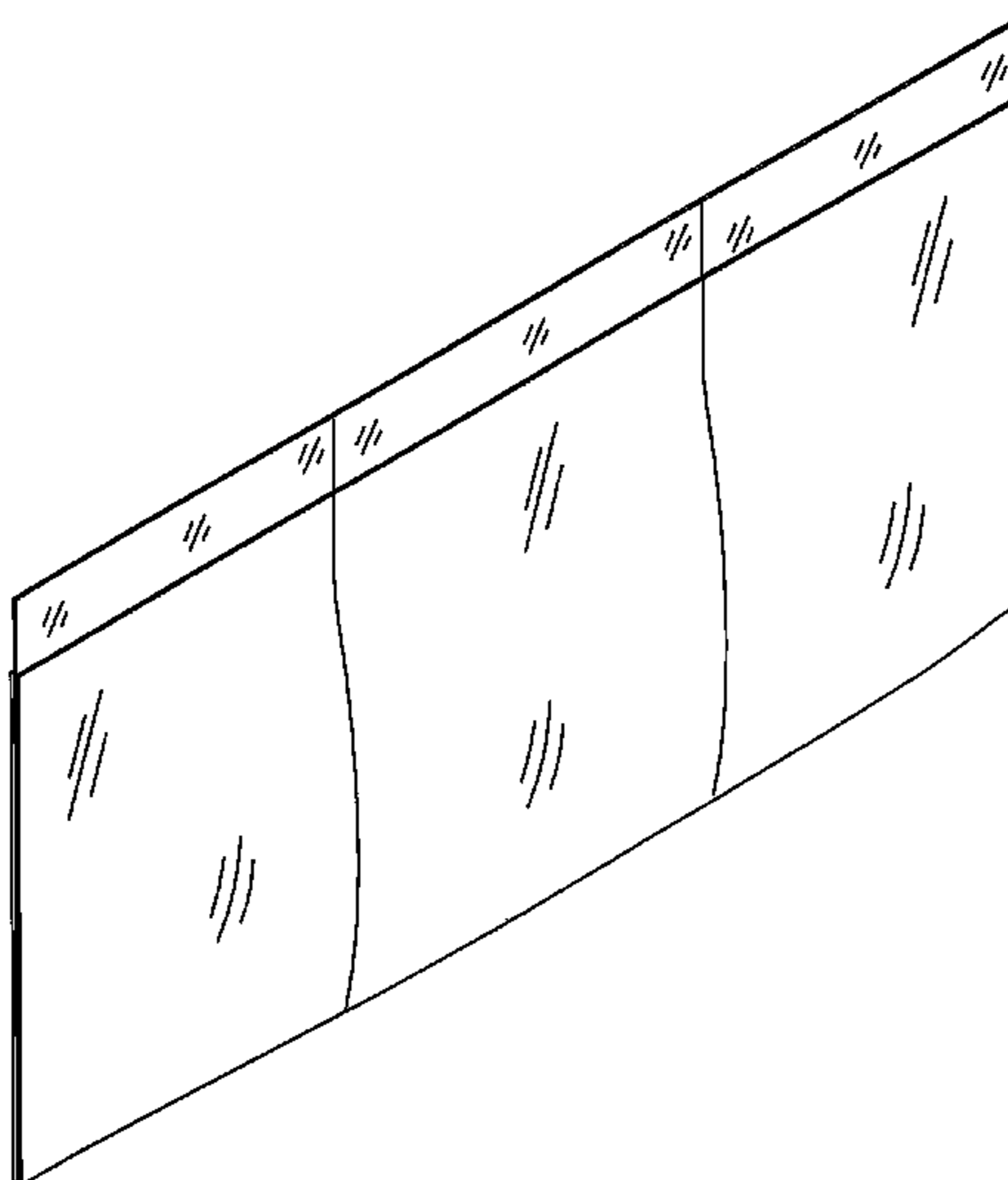
U.S. PATENT DOCUMENTS

1,331,590 A 2/1920 Shotwell
1,665,576 A 4/1928 Witham
1,707,853 A 4/1929 Haberman
1,765,862 A 6/1930 Claff
1,944,089 A 1/1934 Litchfield
2,030,295 A 2/1936 Hodge
2,041,227 A 5/1936 Chalmers
2,149,872 A 3/1939 Schmidt
2,590,580 A 3/1952 Schiavone
2,617,581 A 11/1952 Smith
2,648,479 A 8/1953 Martin

DESCRIPTION

FIG. 1 is a perspective view of a microwavable bag.
FIG. 2 is top plan view thereof.
FIG. 3 is front elevation view thereof.
FIG. 4 is a right side elevation view thereof.
FIG. 5 is a rear elevation view thereof.
FIG. 6 is a left side elevation view thereof; and,
FIG. 7 is a bottom plan view thereof.
Portions of FIGS. 1 through 7 are shown in broken lines. The
broken lines illustrate portions of the microwavable bag that
form no part of the claimed design.

1 Claim, 7 Drawing Sheets



(56)

References Cited

U.S. PATENT DOCUMENTS

- | | | | | | |
|-------------|---------|-------------------------------|-------------|---------|------------------------------------|
| 2,815,883 A | 12/1957 | Robins et al. | 4,355,757 A | 10/1982 | Roccaforte |
| 2,819,976 A | 1/1958 | Hines | 4,383,637 A | 5/1983 | Pfeiffer et al. 229/38 |
| 2,852,898 A | 9/1958 | Berg | 4,386,706 A | 6/1983 | Korte 206/628 |
| 2,858,970 A | 11/1958 | Barnes et al. | 4,389,438 A | 6/1983 | Ohtsuki et al. |
| 2,865,768 A | 12/1958 | Barnes et al. | 4,398,994 A | 8/1983 | Beckett |
| 3,024,710 A | 3/1962 | Gastright | 4,448,309 A | 5/1984 | Roccaforte et al. 206/525 |
| 3,027,261 A | 3/1962 | Samara | 4,450,180 A | 5/1984 | Watkins 426/107 |
| 3,035,754 A | 5/1962 | Meister | 4,453,665 A | 6/1984 | Roccaforte et al. 229/41 |
| 3,052,554 A | 9/1962 | Colman | 4,461,031 A | 7/1984 | Blamer |
| 3,054,680 A | 9/1962 | Mennen | 4,477,705 A | 10/1984 | Danley et al. 219/10.55 |
| 3,107,989 A | 10/1963 | Fesco | 4,491,220 A | 1/1985 | Daviss 206/217 |
| 3,140,034 A | 7/1964 | Wyman et al. | 4,493,685 A | 1/1985 | Blamer |
| 3,144,194 A | 8/1964 | Cartwright | 4,496,816 A | 1/1985 | McNamara 219/10.55 |
| 3,220,635 A | 11/1965 | Kasting et al. | 4,503,559 A | 3/1985 | Warnke 383/40 |
| 3,286,832 A | 11/1966 | Pilger | 4,509,653 A | 4/1985 | Corbett 215/231 |
| 3,293,048 A | 12/1966 | Kitterman | 4,517,045 A | 5/1985 | Beckett |
| 3,326,097 A | 6/1967 | Lokey | 4,518,651 A | 5/1985 | Wolfe, Jr. |
| 3,353,327 A | 11/1967 | Cutler et al. | 4,534,505 A | 8/1985 | Montealegre 229/33 |
| 3,357,152 A | 12/1967 | Geigel | 4,548,826 A | 10/1985 | Watkins 426/394 |
| 3,380,646 A | 4/1968 | Doyen et al. 383/104 | 4,552,614 A | 11/1985 | Beckett |
| 3,425,845 A | 2/1969 | Dunn | 4,553,010 A | 11/1985 | Bohrer et al. 219/10.55 |
| 3,519,439 A | 7/1970 | Dunn | 4,558,815 A | 12/1985 | Wischusen, III 229/31 |
| 3,556,815 A | 1/1971 | Fujiwara | 4,571,337 A | 2/1986 | Cage et al. 426/107 |
| 3,620,834 A | 11/1971 | Duffy | 4,574,956 A | 3/1986 | Kuchenbecker 206/623 |
| 3,637,132 A | 1/1972 | Gray | 4,584,202 A | 4/1986 | Roccaforte 426/111 |
| 3,638,784 A | 2/1972 | Bodolay et al. | 4,586,649 A | 5/1986 | Webinger |
| 3,647,508 A | 3/1972 | Gorrell | 4,596,713 A | 6/1986 | Burdette 426/107 |
| 3,671,270 A | 6/1972 | Jehn | 4,610,755 A | 9/1986 | Beckett |
| 3,721,061 A | 3/1973 | Bodolay 53/135 | 4,612,431 A | 9/1986 | Brown et al. |
| 3,743,169 A | 7/1973 | Person 229/31 | 4,640,838 A | 2/1987 | Isakson et al. |
| 3,777,447 A | 12/1973 | Herbine et al. | 4,641,005 A | 2/1987 | Seiferth |
| 3,782,976 A | 1/1974 | Maier et al. | 4,661,671 A | 4/1987 | Maroszek |
| 3,835,280 A | 9/1974 | Gades et al. | 4,678,882 A | 7/1987 | Bohrer et al. 219/10.55 |
| 3,844,409 A | 10/1974 | Bodolay et al. | 4,685,997 A | 8/1987 | Beckett |
| 3,851,574 A | 12/1974 | Katz et al. 426/107 | 4,691,374 A | 9/1987 | Watkins et al. 219/10.55 |
| 3,873,735 A | 3/1975 | Chalin et al. | 4,701,585 A | 10/1987 | Stewart |
| 3,873,738 A | 3/1975 | Zoeller et al. 426/111 | 4,705,707 A | 11/1987 | Winter 428/35 |
| 3,956,866 A | 5/1976 | Lattur | 4,705,927 A | 11/1987 | Levendusky et al. |
| 3,969,535 A | 7/1976 | Bourns 426/111 | 4,713,510 A | 12/1987 | Quick et al. |
| 3,970,241 A | 7/1976 | Hanson | 4,724,290 A | 2/1988 | Campbell 219/10.55 |
| 3,973,045 A | 8/1976 | Brandberg et al. 426/110 | 4,727,706 A | 3/1988 | Beer |
| 4,007,285 A | 2/1977 | Maier et al. 426/108 | 4,734,288 A | 3/1988 | Engstrom et al. 426/107 |
| 4,036,423 A | 7/1977 | Gordon | 4,735,513 A | 4/1988 | Watkins et al. |
| 4,038,425 A | 7/1977 | Brandberg et al. 426/107 | 4,738,287 A | 4/1988 | Klinkel 141/114 |
| 4,043,098 A | 8/1977 | Putnam, Jr. et al. | 4,738,882 A | 4/1988 | Rayford et al. |
| 4,051,993 A | 10/1977 | Castoldi, Jr. 229/22 | 4,794,005 A | 12/1988 | Swiontek |
| 4,077,853 A | 3/1978 | Coll-Palagos | 4,797,010 A | 1/1989 | Coelho |
| 4,118,913 A | 10/1978 | Putnam, Jr. et al. | 4,804,582 A | 2/1989 | Noding et al. |
| 4,132,811 A | 1/1979 | Standing et al. | 4,806,371 A | 2/1989 | Mendenhall 426/113 |
| 4,136,505 A | 1/1979 | Putnam, Jr. et al. | 4,806,718 A | 2/1989 | Seaborne et al. |
| 4,156,806 A | 5/1979 | Teich et al. | 4,808,421 A | 2/1989 | Mendenhall et al. 426/107 |
| 4,171,605 A | 10/1979 | Putnam, Jr. et al. | 4,808,431 A | 2/1989 | Rickert 427/8 |
| 4,184,061 A | 1/1980 | Suzuki et al. | 4,808,780 A | 2/1989 | Seaborne |
| 4,190,757 A | 2/1980 | Turpin et al. | 4,810,844 A | 3/1989 | Anderson 219/10.55 |
| 4,196,331 A | 4/1980 | Leveckis et al. | 4,810,845 A | 3/1989 | Seaborne |
| 4,211,360 A | 7/1980 | Scott et al. 229/43 | 4,818,831 A | 4/1989 | Seaborne |
| 4,219,573 A | 8/1980 | Borek 426/107 | 4,825,025 A | 4/1989 | Seiferth |
| 4,228,945 A | 10/1980 | Wysocki | 4,851,246 A | 7/1989 | Maxwell et al. 426/107 |
| 4,230,767 A | 10/1980 | Isaka et al. | 4,861,958 A | 8/1989 | Bohrer et al. 219/10.55 |
| 4,230,924 A | 10/1980 | Brastad et al. | 4,864,089 A | 9/1989 | Tighe et al. |
| 4,241,563 A | 12/1980 | Müller et al. | 4,864,090 A | 9/1989 | Maxwell et al. 219/10.55 |
| 4,242,378 A | 12/1980 | Arai | 4,870,238 A | 9/1989 | Hodgetts et al. 219/10.55 |
| 4,258,086 A | 3/1981 | Beall | 4,873,409 A | 10/1989 | Spruytenburg et al. 219/10.55 |
| 4,260,101 A | 4/1981 | Webinger 229/41 | 4,874,620 A | 10/1989 | Mendenhall et al. 426/113 |
| 4,264,668 A | 4/1981 | Balla | 4,878,765 A | 11/1989 | Watkins et al. |
| 4,267,420 A | 5/1981 | Brastad | 4,883,936 A | 11/1989 | Maynard et al. |
| 4,279,933 A | 7/1981 | Austin et al. | 4,892,744 A | 1/1990 | Ylvisaker 426/111 |
| 4,283,427 A | 8/1981 | Winters et al. | 4,896,009 A | 1/1990 | Pawlowski |
| 4,288,027 A | 9/1981 | Peterson 229/43 | 4,904,487 A | 2/1990 | LaBaw et al. 426/107 |
| 4,291,520 A | 9/1981 | Prince et al. | 4,904,488 A | 2/1990 | LaBaw et al. |
| 4,292,332 A | 9/1981 | McHam 426/111 | 4,914,266 A | 4/1990 | Parks et al. |
| 4,316,070 A | 2/1982 | Prosise et al. | 4,915,780 A | 4/1990 | Beckett |
| 4,324,088 A | 4/1982 | Yamashita et al. | 4,927,648 A | 5/1990 | Ylvisaker 426/234 |
| 4,335,291 A | 6/1982 | Ishino et al. | 4,942,050 A | 7/1990 | Ylvisaker 426/394 |
| 4,345,133 A | 8/1982 | Cherney et al. | 4,942,277 A | 7/1990 | Narberes 219/10.55 |
| | | | 4,943,456 A | 7/1990 | Pollart et al. |
| | | | 4,948,932 A | 8/1990 | Clough |
| | | | 4,950,859 A | 8/1990 | Anderson 219/10.55 |
| | | | 4,952,766 A | 8/1990 | McDonald 219/10.55 |

(56)

References Cited

U.S. PATENT DOCUMENTS

4,959,231 A	9/1990	Lakey et al.	426/111	6,001,209 A *	12/1999	Popat et al.	156/249
4,959,516 A	9/1990	Tighe et al.		6,005,234 A	12/1999	Moseley et al.	219/727
4,963,374 A	10/1990	Brandel et al.	426/107	6,030,652 A	2/2000	Hanus	426/107
4,972,058 A	11/1990	Benson et al.	219/10.55	6,046,443 A	4/2000	Ackerman et al.	219/727
4,973,810 A	11/1990	Brauner		6,049,072 A	4/2000	Olson et al.	219/727
4,982,064 A	1/1991	Hartman et al.		6,060,095 A	5/2000	Scrimager	426/107
5,003,142 A	3/1991	Fuller		6,060,096 A	5/2000	Hanson et al.	
5,008,024 A	4/1991	Watkins		6,066,346 A	5/2000	Hunt et al.	
5,011,299 A	4/1991	Black, Jr. et al.	383/126	6,077,551 A	6/2000	Scrimager	426/107
5,012,068 A	4/1991	Anderson	219/730	6,100,513 A	8/2000	Jackson et al.	219/727
5,038,009 A	8/1991	Babbitt		6,126,976 A	10/2000	Hasse, Jr. et al.	426/107
5,044,777 A	9/1991	Watkins et al.		6,137,098 A	10/2000	Moseley et al.	219/727
5,045,659 A	9/1991	Wolfe et al.	219/10.55	6,149,955 A	11/2000	Wilson	426/112
5,049,072 A	9/1991	Lueschen		6,231,903 B1	5/2001	Ji et al.	426/107
5,059,036 A	10/1991	Richison et al.	383/61	6,254,907 B1	7/2001	Galomb	426/115
5,061,500 A	10/1991	Mendenhall	426/118	6,259,079 B1	7/2001	Ji et al.	219/727
5,075,119 A	12/1991	Mendenhall	426/113	6,320,172 B1	11/2001	Watkins	219/725
5,081,330 A	1/1992	Brandberg et al.		D453,679 S *	2/2002	Blackburn	D9/709
5,095,186 A	3/1992	Scott Russell et al.		6,350,974 B1	2/2002	Manzano et al.	219/735
5,097,107 A	3/1992	Watkins et al.		6,394,265 B1	5/2002	Tsao	206/217
5,153,402 A	10/1992	Quick et al.		6,396,036 B1	5/2002	Hanson	
5,171,594 A	12/1992	Babbitt	426/107	6,410,065 B1	6/2002	Nottingham et al.	
5,171,950 A	12/1992	Brauner et al.	219/10.55	6,431,415 B1	8/2002	Schreiber	222/460
5,174,658 A	12/1992	Cook et al.	383/33	6,586,715 B2	7/2003	Watkins	219/725
5,190,777 A	3/1993	Anderson et al.	426/107	6,644,540 B2	11/2003	Jamitzky et al.	229/120.11
5,195,829 A	3/1993	Watkins et al.	383/100	6,651,947 B1	11/2003	Price	248/311.2
5,200,590 A	4/1993	Bowen et al.	219/10.55	6,660,983 B2	12/2003	Monforton et al.	219/727
5,211,975 A	5/1993	Mendenhall et al.	426/107	D486,388 S *	2/2004	Rauen	D9/702
5,214,257 A	5/1993	Riskey	219/10.55	6,733,807 B2	5/2004	Martuch et al.	426/107
5,223,288 A	6/1993	Mendenhall et al.	426/107	6,752,071 B1	6/2004	Snyder	99/323.5
5,284,666 A	2/1994	Graf	426/242	6,872,923 B2	3/2005	Cretors et al.	219/494
5,294,764 A	3/1994	Mass	219/727	6,875,969 B2	4/2005	Lee	219/707
5,294,765 A	3/1994	Archibald et al.	219/727	6,884,978 B2	4/2005	Monforton et al.	219/727
5,298,708 A	3/1994	Babu et al.		6,906,299 B2	6/2005	Watkins	219/725
5,302,790 A	4/1994	Turpin	219/727	6,960,748 B2	11/2005	Baker	219/725
5,306,512 A	4/1994	Blamer	426/107	7,022,359 B2	4/2006	Gibernau	426/107
5,344,661 A	9/1994	Mendenhall et al.	426/107	7,067,781 B2	6/2006	Trochlil	219/730
5,357,086 A	10/1994	Turpin et al.	219/732	7,086,545 B2	8/2006	Mannion et al.	211/181.1
5,388,695 A	2/1995	Gilbert	206/423	D598,784 S *	8/2009	Anderson et al.	D9/708
5,405,663 A	4/1995	Archibald et al.	428/34.3	D617,654 S *	6/2010	Tawinsook	D9/702
5,419,100 A	5/1995	Gwiazdon et al.	53/482	D639,181 S *	6/2011	Woodfield	D9/705
5,435,648 A	7/1995	Berkoff	383/90	D671,012 S	11/2012	France et al.	D9/702
5,461,216 A	10/1995	McDonald	219/727	2001/0033883 A1	10/2001	Boody	426/120
5,463,848 A	11/1995	Gwiazdon et al.	53/482	2002/0043532 A1	4/2002	Watkins	219/725
5,468,939 A	11/1995	MacLean, IV	219/727	2002/0088730 A1	7/2002	Galomb	206/459.5
5,473,142 A	12/1995	Mass	219/727	2002/0100755 A1	8/2002	Peterson	219/727
5,474,383 A	12/1995	Zuege et al.	383/121	2002/0106427 A1	8/2002	Martuch et al.	
5,478,986 A	12/1995	Westerberg	219/411	2002/0125306 A1	9/2002	Jamitzky et al.	229/120.11
5,480,372 A	1/1996	Gwiazdon et al.	493/437	2002/0127306 A1	9/2002	Schmidt et al.	426/107
5,488,220 A	1/1996	Freerks et al.	219/727	2002/0145295 A1	10/2002	Frank et al.	294/31.2
5,496,252 A	3/1996	Gilbert	493/224	2002/0182291 A1	12/2002	Renini et al.	426/107
5,498,080 A	3/1996	Dalea et al.	383/120	2003/0012853 A1	1/2003	Jensen et al.	426/107
5,507,132 A	4/1996	Gwiazdon et al.	53/469	2003/0044492 A1	3/2003	Knigge et al.	426/124
5,514,854 A	5/1996	Atsaves	219/727	2003/0049354 A1	3/2003	Murray	
5,650,084 A	7/1997	Bley	219/727	2003/0080118 A1	5/2003	Hanson	219/730
5,679,278 A	10/1997	Cox	219/730	2003/0106899 A1	6/2003	Langen	220/912
5,690,853 A	11/1997	Jackson et al.	219/727	2003/0194472 A1	10/2003	Jensen et al.	426/107
5,690,979 A	11/1997	Bourns et al.	426/307	2004/0013773 A1	1/2004	Duran Vila et al.	426/107
5,695,673 A	12/1997	Geissler	219/727	2004/0031790 A1	2/2004	Kim	219/727
5,753,895 A	5/1998	Olson et al.		2004/0089656 A1	5/2004	Watkins	219/759
5,770,839 A	6/1998	Ruebush et al.	219/727	2004/0096550 A1	5/2004	Schilmoeller et al.	
5,772,331 A	6/1998	Irace et al.	383/90	2004/0104222 A1	6/2004	Lee	219/707
5,773,801 A	6/1998	Blamer et al.	219/727	2004/0105917 A1	6/2004	Mannion et al.	426/110
5,775,570 A	7/1998	Kim	229/4.5	2004/0219332 A1	11/2004	Dean et al.	428/131
5,780,824 A	7/1998	Matos	219/727	2004/0238535 A1	12/2004	Mast	219/730
5,814,382 A	9/1998	Yannuzzi, Jr.	428/34.3	2004/0238538 A1	12/2004	Cosentino	220/23.83
5,834,046 A	11/1998	Turpin et al.		2004/0245240 A1	12/2004	Cretors et al.	219/494
D401,846 S *	12/1998	Nguyen	D9/703	2005/0040174 A1	2/2005	Costello et al.	220/670
5,871,790 A	2/1999	Monier et al.	426/107	2005/0045624 A1	3/2005	Groll	219/621
5,928,550 A	7/1999	Weiss	219/620	2005/0067411 A1	3/2005	Monforton et al.	219/727
5,928,554 A	7/1999	Olson et al.		2005/0077291 A1	4/2005	Baker	219/725
5,958,482 A	9/1999	Monforton	426/107	2005/0092623 A1	5/2005	Cuomo	206/162
5,985,343 A	11/1999	Hasse, Jr. et al.	426/394	2005/0121444 A1	6/2005	Trochlil	219/730
5,993,869 A	11/1999	Freeport	426/107	2005/0199620 A1	9/2005	Fish	219/730
5,994,685 A	11/1999	Jackson et al.	219/727	2005/0230459 A1	10/2005	Johnson et al.	229/80
				2005/0276885 A1	12/2005	Bennett	
				2006/0018999 A1	1/2006	Risch	426/107
				2006/0062956 A1 *	3/2006	Chandaria et al.	428/43
				2006/0078655 A1	4/2006	Plank et al.	426/107

(56)

References Cited

U.S. PATENT DOCUMENTS

2006/0127549	A1	6/2006	Murray	
2006/0131303	A1	6/2006	Trochlil	219/730
2006/0191985	A1	8/2006	Norcom	
2006/0204622	A1	9/2006	Renini et al.	426/107
2006/0231552	A1	10/2006	Caya	219/727
2006/0261060	A1	11/2006	Baez	220/4.21
2006/0289513	A1	12/2006	Raughley	219/729
2006/0289524	A1	12/2006	Ludwig et al.	219/734
2007/0284369	A1	12/2007	Murray	
2008/0166457	A1	7/2008	Gorman et al.	426/107
2008/0178744	A1	7/2008	Hill	99/323.5
2011/0070391	A1*	3/2011	Cotton	428/43

FOREIGN PATENT DOCUMENTS

EP	0 823 388	A1	2/1998	B65D 81/34
JP	2005-516853	A	6/2005	A47J 27/00
RU	2304075		4/2005		
WO	2004048225		6/2004		

OTHER PUBLICATIONS

International Search Report and Written Opinion mailed May 22, 2008 in Application No. PCT/US08/50391.

Accessed at <http://www.emeraldnuts.com/> Easy Open Pull String, on Dec. 4, 2009; 1 pg.

European Search Report and Written Opinion mailed Apr. 29, 2010 in Application No. 08713616.4.

International Search Report and Written Opinion mailed Jun. 30, 2011, in Application No. PCT/US2010/048762.

U.S. Official Action mailed Apr. 23, 2012, in U.S. Appl. No. 12/559,094.

U.S. Official Action mailed Jun. 1, 2012, in U.S. Appl. No. 29/394,187.

U.S. Official Action mailed Jun. 15, 2012, in U.S. Appl. No. 11/970,349.

U.S. Official Action mailed Jun. 26, 2012, in U.S. Appl. No. 12/953,123.

U.S. Official Action mailed Nov. 6, 2012, in U.S. Appl. No. 12/953,123.

U.S. Official Action mailed Jan. 14, 2013, in U.S. Appl. No. 12/880,938.

U.S. Official Action mailed May 30, 2013, in U.S. Appl. No. 12/880,938.

U.S. Official Action mailed Aug. 13, 2013, in U.S. Appl. No. 12/880,938.

* cited by examiner

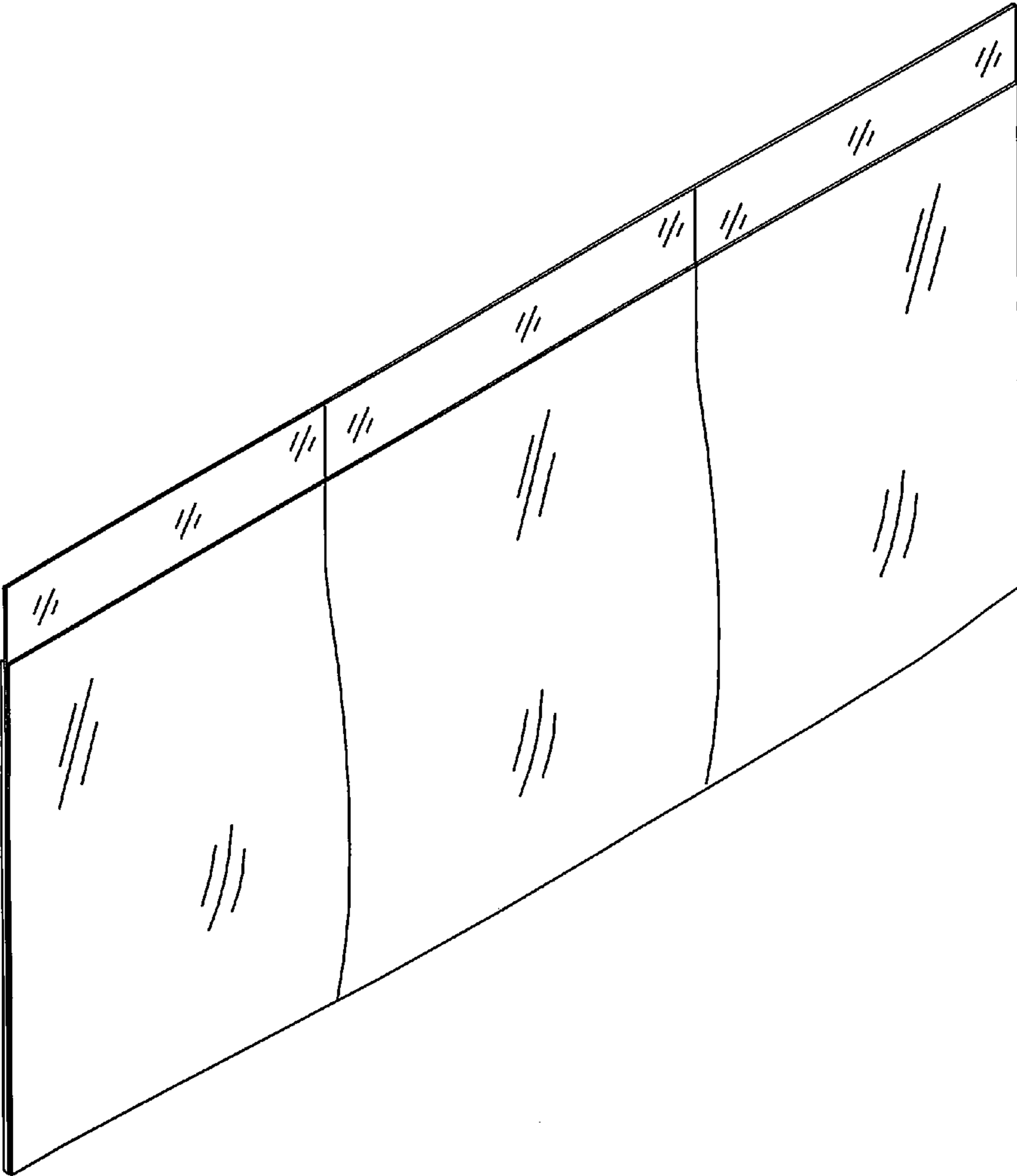


FIG. 1



FIG. 2

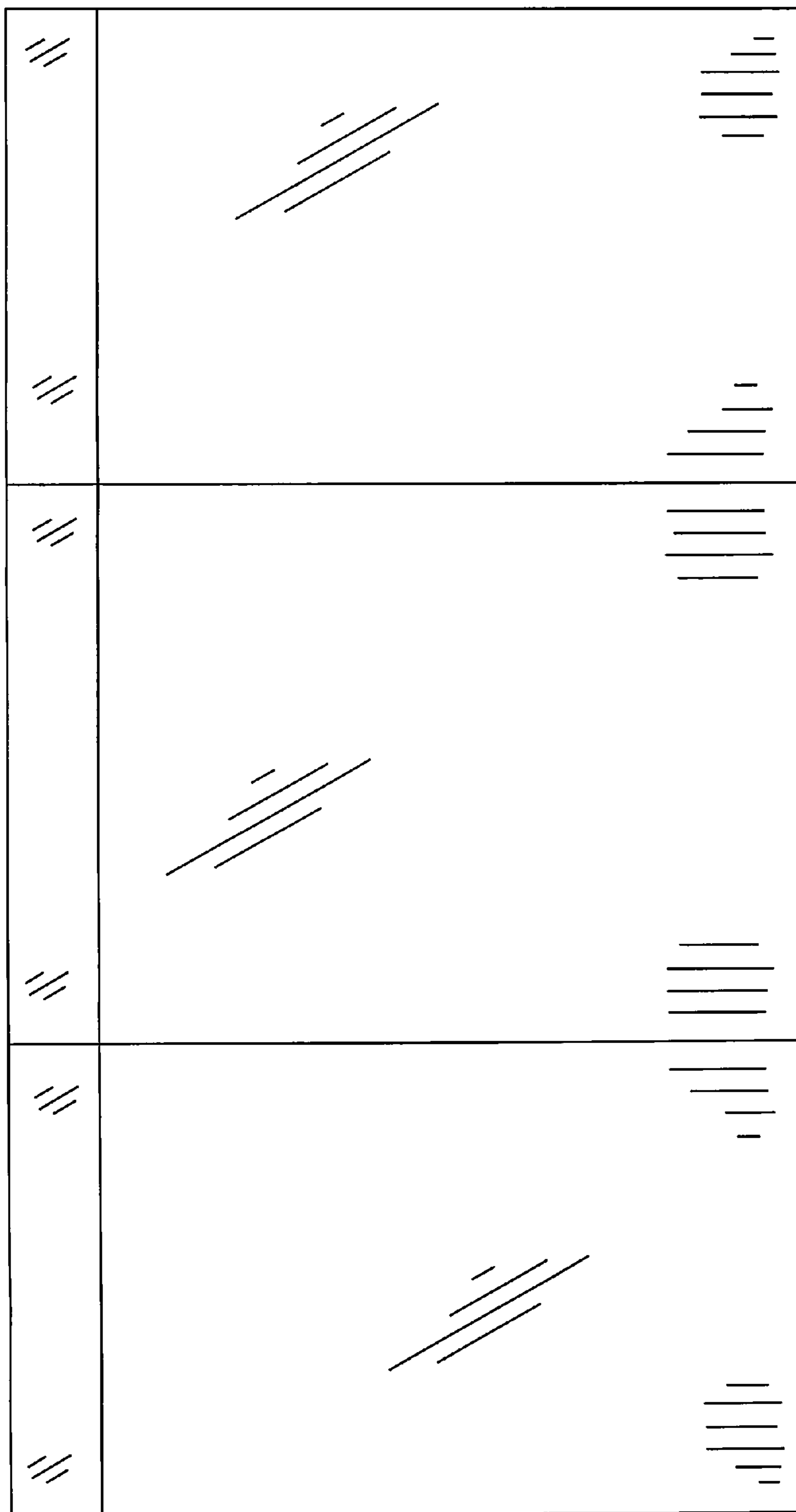


FIG. 3



FIG. 4

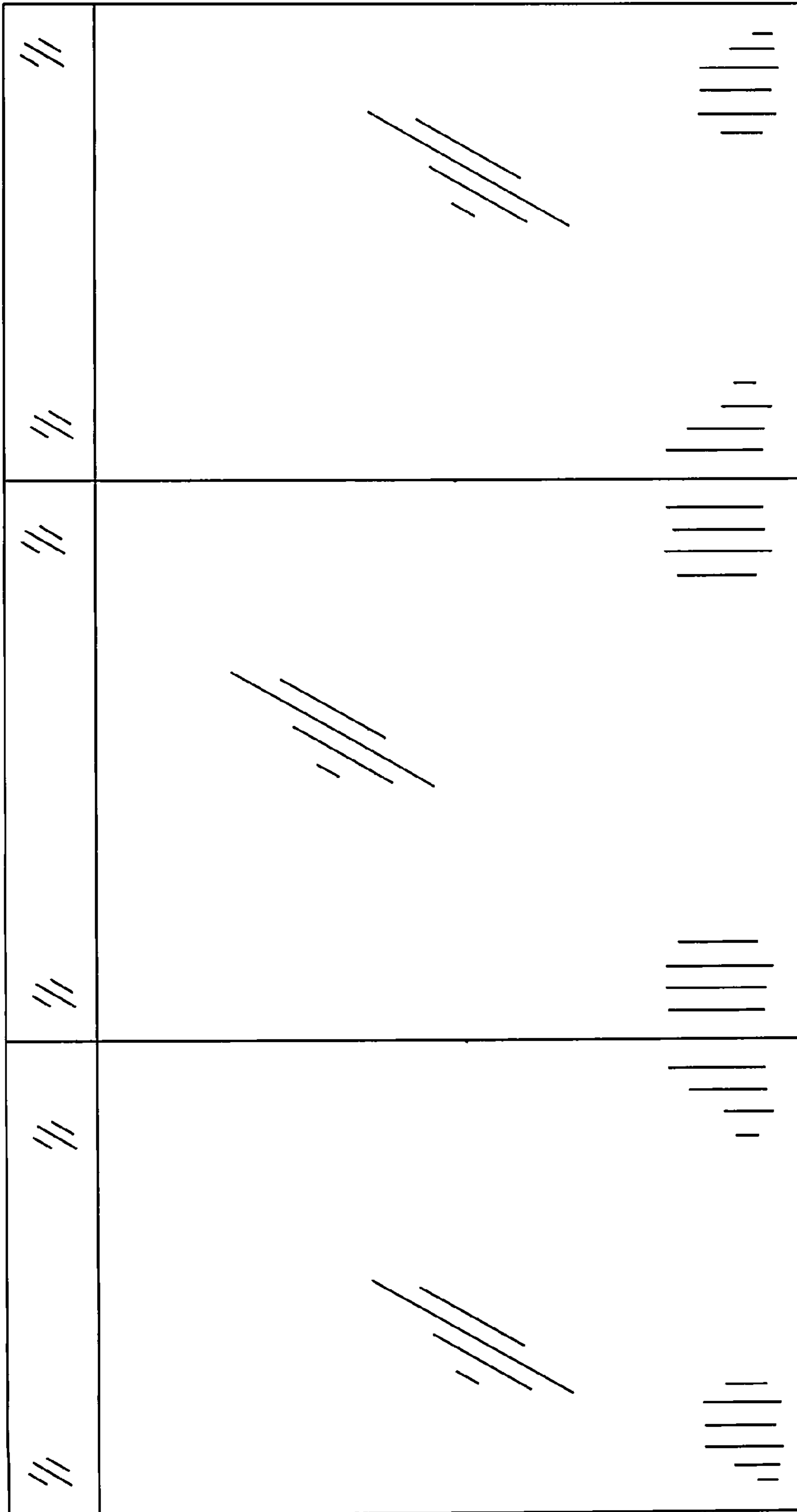


FIG. 5



FIG. 6



FIG. 7