



US00D703545S

(12) **United States Design Patent**
Limback

(10) **Patent No.:** **US D703,545 S**
(45) **Date of Patent:** **** Apr. 29, 2014**

- (54) **PACKAGE FOR PRODUCT**
- (71) Applicant: **Aventisub II Inc.**, Greenville, DE (US)
- (72) Inventor: **Nancy Gail Limback**, Bridgewater, NJ (US)
- (73) Assignee: **Aventisub II Inc.**, Greenville, DE (US)
- (**) Term: **14 Years**
- (21) Appl. No.: **29/439,685**
- (22) Filed: **Dec. 13, 2012**
- (51) **LOC (10) Cl.** **09-01**
- (52) **U.S. Cl.**
USPC **D9/652; D9/732; D9/422**
- (58) **Field of Classification Search**
USPC D9/600, 652, 730-733, 414-415, 418, D9/420-426; 206/457, 461-471, 495, 531, 206/539
See application file for complete search history.

6,874,636	B2	4/2005	Paliotta et al.	
6,913,149	B2 *	7/2005	Gelardi et al.	206/531
D509,848	S	9/2005	Whittington et al.	
D510,949	S	10/2005	Whittington et al.	
D523,473	S	6/2006	Regala	
D525,864	S	8/2006	Hiolin	
D545,690	S	7/2007	Tsutsumi et al.	
D550,769	S	9/2007	Pollard	
7,325,689	B2 *	2/2008	Buss	206/539
D564,019	S	3/2008	Matsuzawa	
7,360,652	B2 *	4/2008	Arnold	206/531
D592,947	S	5/2009	Neves et al.	
7,681,733	B2	3/2010	Grosskopf	
7,748,535	B2	7/2010	Grosskopf	
7,896,161	B2	3/2011	Reilley et al.	
D642,615	S	8/2011	Naimi	
D644,690	S	9/2011	Mott, Sr. et al.	
D647,560	S	10/2011	Naimi	
8,079,470	B2	12/2011	Trajkovich	
8,151,988	B2 *	4/2012	Smith et al.	206/462
D658,990	S *	5/2012	Specker et al.	D9/457
8,413,813	B2	4/2013	Grosskopf	
8,459,453	B2	6/2013	Parker et al.	
2004/0026293	A1	2/2004	Hughes	
2007/0017847	A1	1/2007	Leifeld	
2007/0056876	A1	3/2007	Jones	
2007/0068844	A1	3/2007	Weston	
2009/0194445	A1	8/2009	Mongan et al.	
2009/0194452	A1	8/2009	Hession et al.	
2010/0264153	A1	10/2010	Bellamah et al.	
2010/0294683	A1	11/2010	Mish et al.	

(56) **References Cited**

U.S. PATENT DOCUMENTS

D112,273	S *	11/1938	Blunt	D9/652
D271,063	S	10/1983	Compton	
D271,161	S	11/1983	Compton	
D312,276	S	11/1990	Fisherman et al.	
D313,182	S *	12/1990	Diepois	D9/415
5,078,266	A	1/1992	Rackley	
D327,425	S	6/1992	Hamada et al.	
D359,900	S *	7/1995	Hawthorne	D9/732
D388,457	S	12/1997	Wagner	
D396,489	S	7/1998	Siemon et al.	
D401,274	S	11/1998	Sills et al.	
5,984,099	A *	11/1999	Shimizu et al.	206/462
6,053,321	A	4/2000	Kayser	
D426,262	S	6/2000	Humphrey	
D437,777	S	2/2001	Wootton	
D439,512	S *	3/2001	Wootton	D9/415
D448,799	S	10/2001	Moor	
D456,841	S	5/2002	Bock	
D462,987	S	9/2002	Ruscetta et al.	
D468,348	S	1/2003	Nishikawa	
6,659,271	B2	12/2003	Parsons	

OTHER PUBLICATIONS

Notice of Allowance issued on Dec. 30, 2013 in Design U.S. Appl. No. 29/439,683.
Office Action issued on Nov. 14, 2013 in Design U.S. Appl. No. 29/457,583.

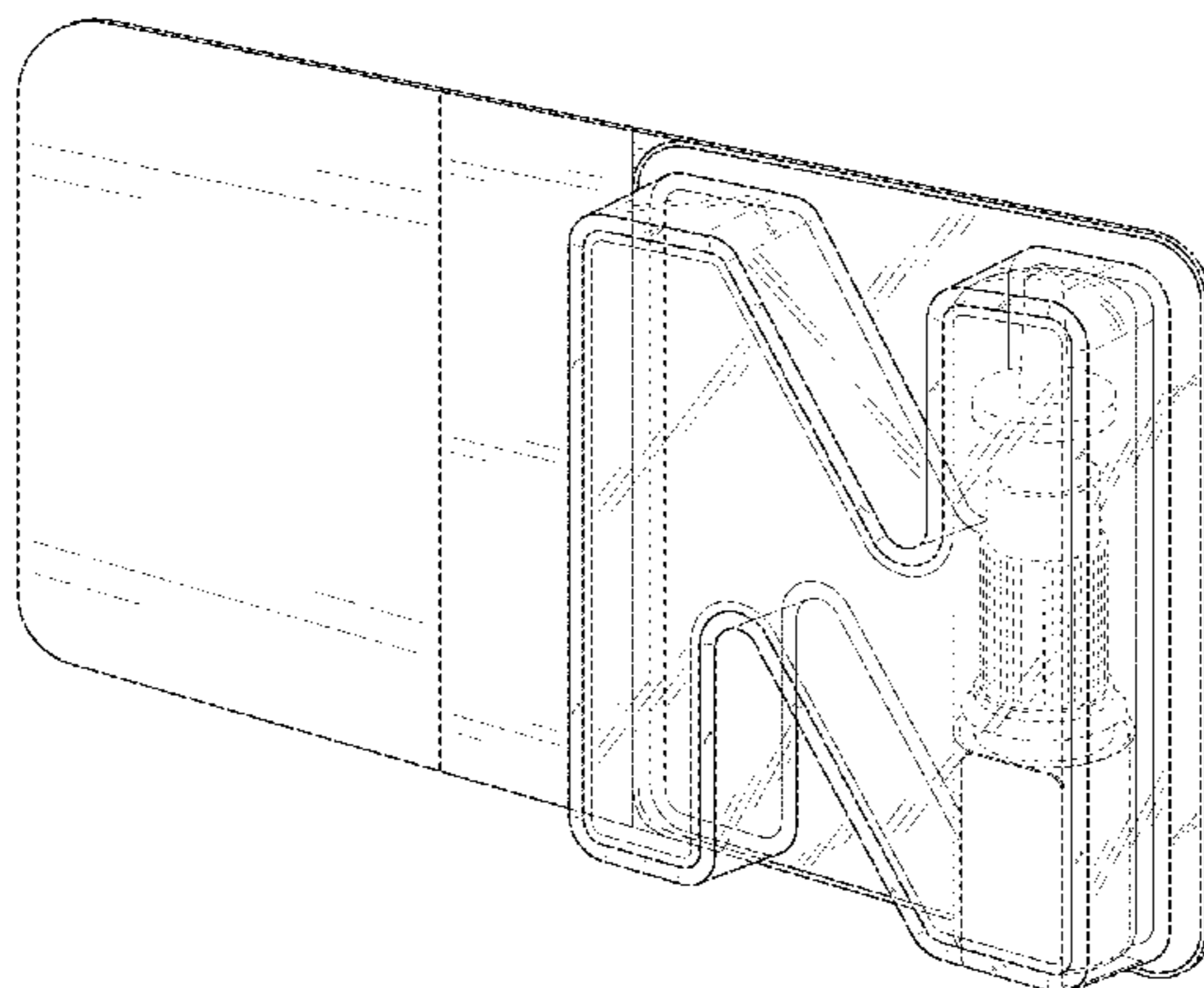
* cited by examiner

Primary Examiner — Sandra Morris

(74) *Attorney, Agent, or Firm* — Scully, Scott, Murphy & Presser, P.C.

(57) **CLAIM**

The ornamental design for a package for product, as shown and described.



DESCRIPTION

FIG. 1 is a perspective view of a package for product showing the first embodiment of my new design;
 FIG. 2 is a front view thereof;
 FIG. 3 is a rear view thereof;
 FIG. 4 is a side view thereof;
 FIG. 5 is an opposite side view thereof;
 FIG. 6 is a top view thereof;
 FIG. 7 is a bottom view thereof;
 FIG. 8 is another perspective view thereof;
 FIG. 9 is another front view thereof;
 FIG. 10 is a perspective view of a package for product showing the second embodiment of my new design;
 FIG. 11 is a front view thereof;
 FIG. 12 is a rear view thereof;
 FIG. 13 is a side view thereof;
 FIG. 14 is an opposite side view thereof;
 FIG. 15 is a top view thereof;
 FIG. 16 is a bottom view thereof;
 FIG. 17 is another perspective view thereof;
 FIG. 18 is a perspective view of a package for product showing the third embodiment of my new design;
 FIG. 19 is a front view thereof;
 FIG. 20 is a rear view thereof;
 FIG. 21 is a side view thereof;
 FIG. 22 is an opposite side view thereof;
 FIG. 23 is a top view thereof;
 FIG. 24 is a bottom view thereof;
 FIG. 25 is another perspective view thereof;
 FIG. 26 is another front view thereof;
 FIG. 27 is a perspective view of a package for product showing the fourth embodiment of my new design;
 FIG. 28 is a front view thereof;
 FIG. 29 is a rear view thereof;
 FIG. 30 is a side view thereof;
 FIG. 31 is an opposite side view thereof;
 FIG. 32 is a top view thereof;
 FIG. 33 is a bottom view thereof;
 FIG. 34 is another perspective view thereof;

FIG. 35 is a perspective view of a package for product showing the fifth embodiment of my new design;
 FIG. 36 is a front view thereof;
 FIG. 37 is a rear view thereof;
 FIG. 38 is a side view thereof;
 FIG. 39 is an opposite side view thereof;
 FIG. 40 is a top view thereof;
 FIG. 41 is a bottom view thereof;
 FIG. 42 is another perspective view thereof;
 FIG. 43 is another front view thereof;
 FIG. 44 is a perspective view of a package for product showing the sixth embodiment of my new design;
 FIG. 45 is a front view thereof;
 FIG. 46 is a rear view thereof;
 FIG. 47 is a side view thereof;
 FIG. 48 is an opposite side view thereof;
 FIG. 49 is a top view thereof;
 FIG. 50 is a bottom view thereof;
 FIG. 51 is another perspective view thereof;
 FIG. 52 is a perspective view of a package for product showing the seventh embodiment of my new design;
 FIG. 53 is a front view thereof;
 FIG. 54 is a rear view thereof;
 FIG. 55 is a side view thereof;
 FIG. 56 is an opposite side view thereof;
 FIG. 57 is a top view thereof;
 FIG. 58 is a bottom view thereof;
 FIG. 59 is another perspective view thereof;
 FIG. 60 is another front view thereof;
 FIG. 61 is a perspective view of a package for product showing the eighth embodiment of my new design;
 FIG. 62 is a front view thereof;
 FIG. 63 is a rear view thereof;
 FIG. 64 is a side view thereof;
 FIG. 65 is an opposite side view thereof;
 FIG. 66 is a top view thereof;
 FIG. 67 is a bottom view thereof; and,
 FIG. 68 is another perspective view thereof.
 The portions indicated in broken lines are for illustrative purposes only and form no part of the claimed design.

1 Claim, 52 Drawing Sheets

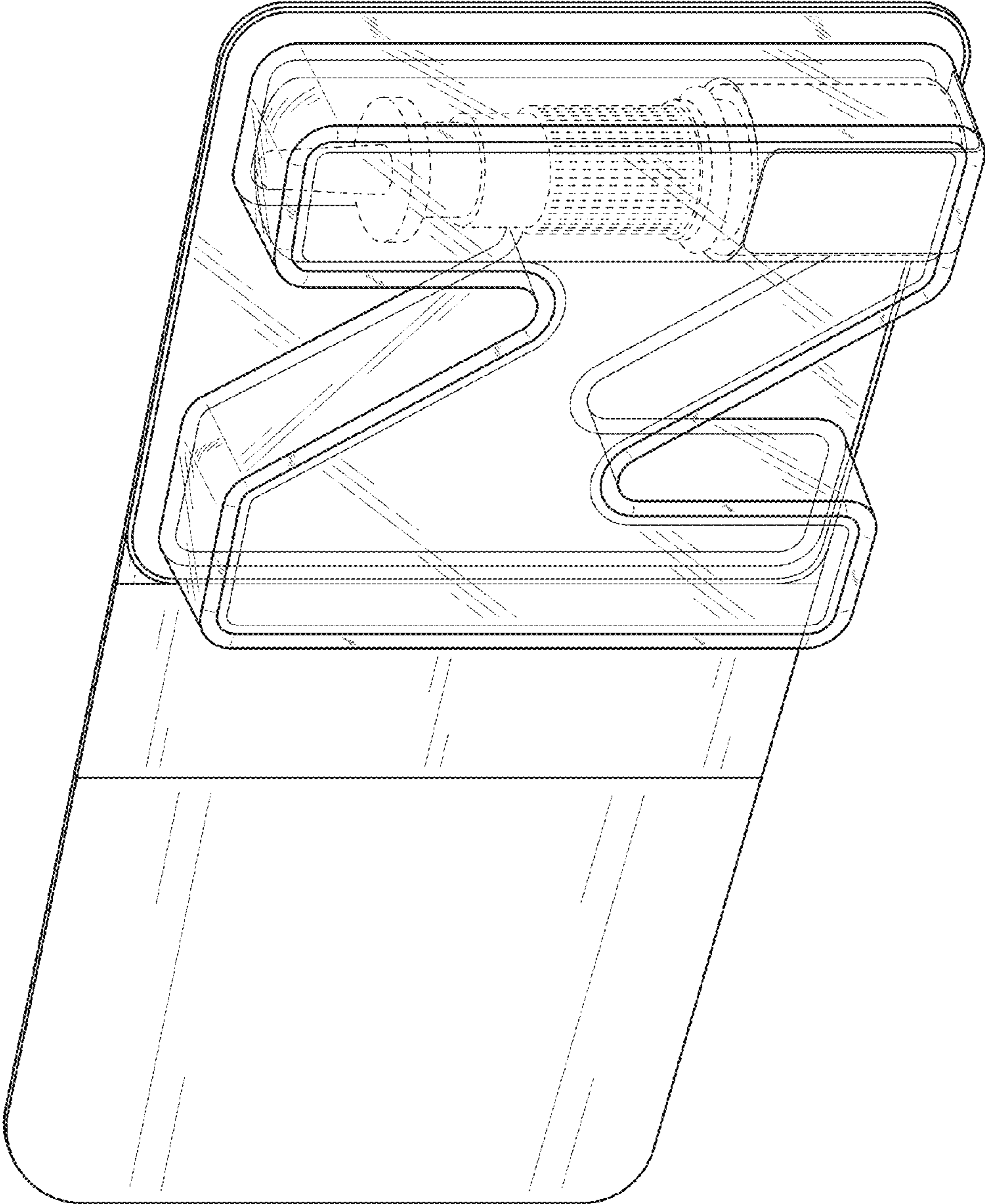


FIG. 1

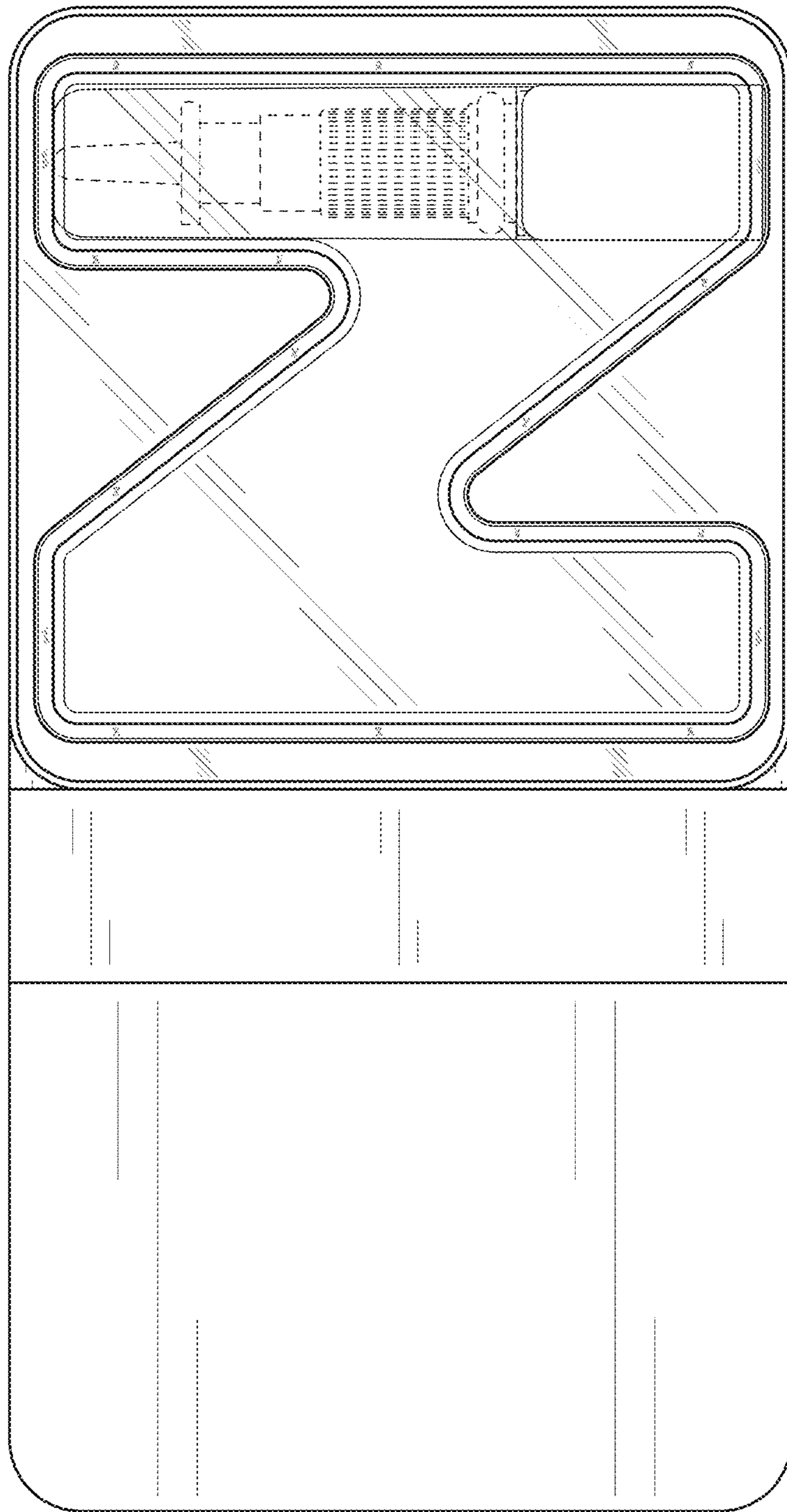


FIG. 2

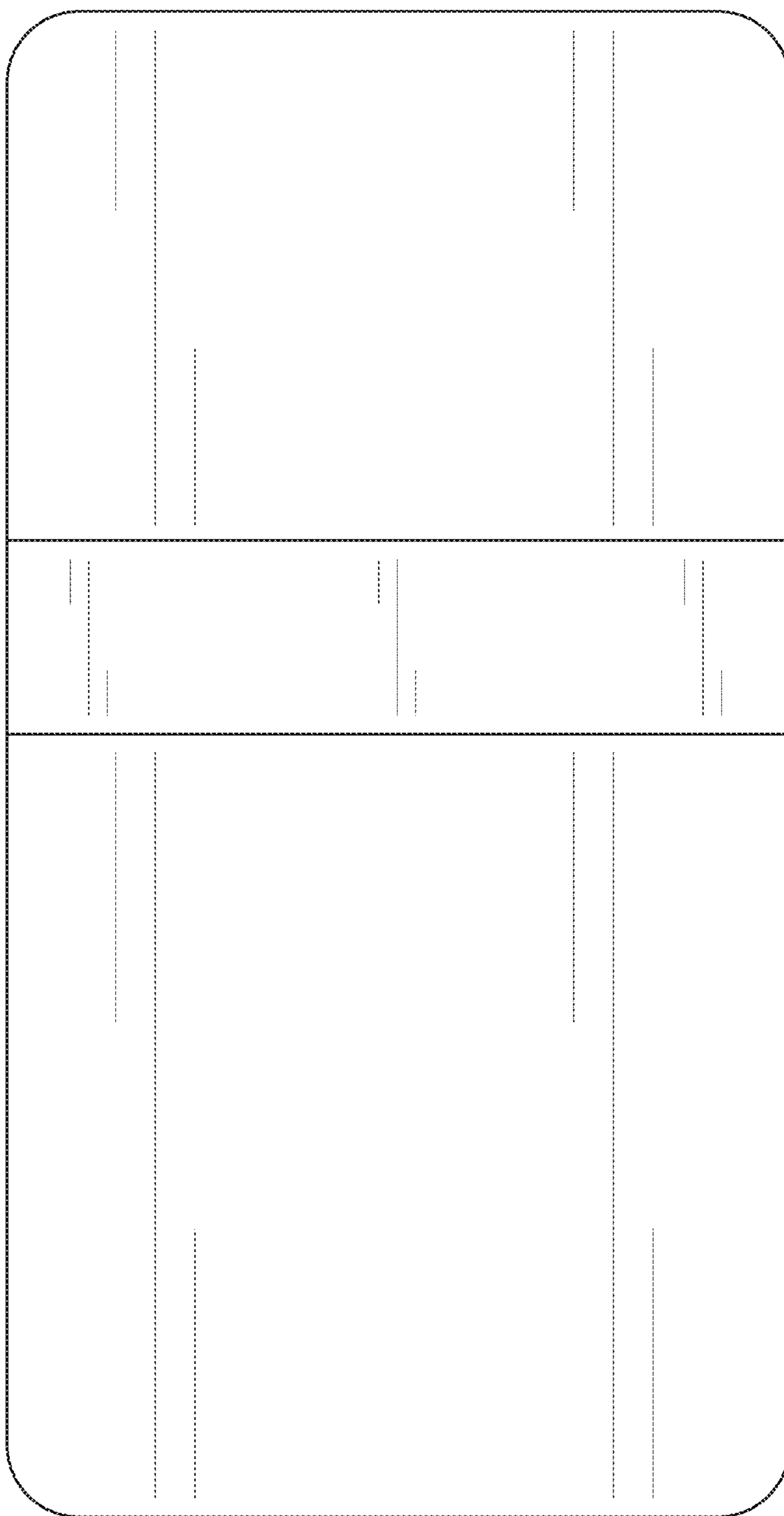


FIG. 3

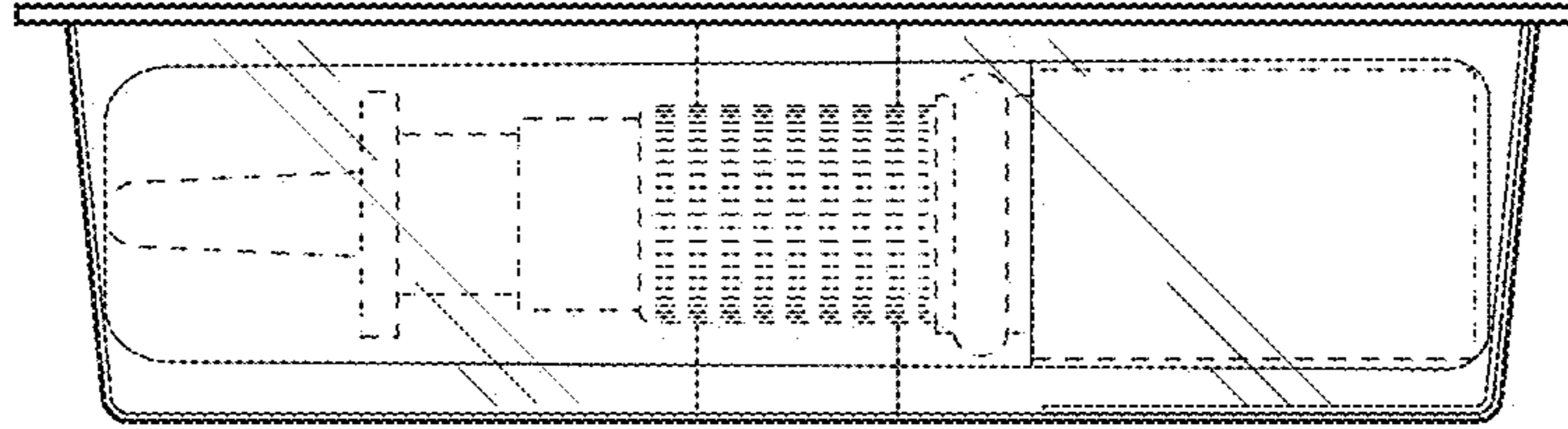


FIG. 5

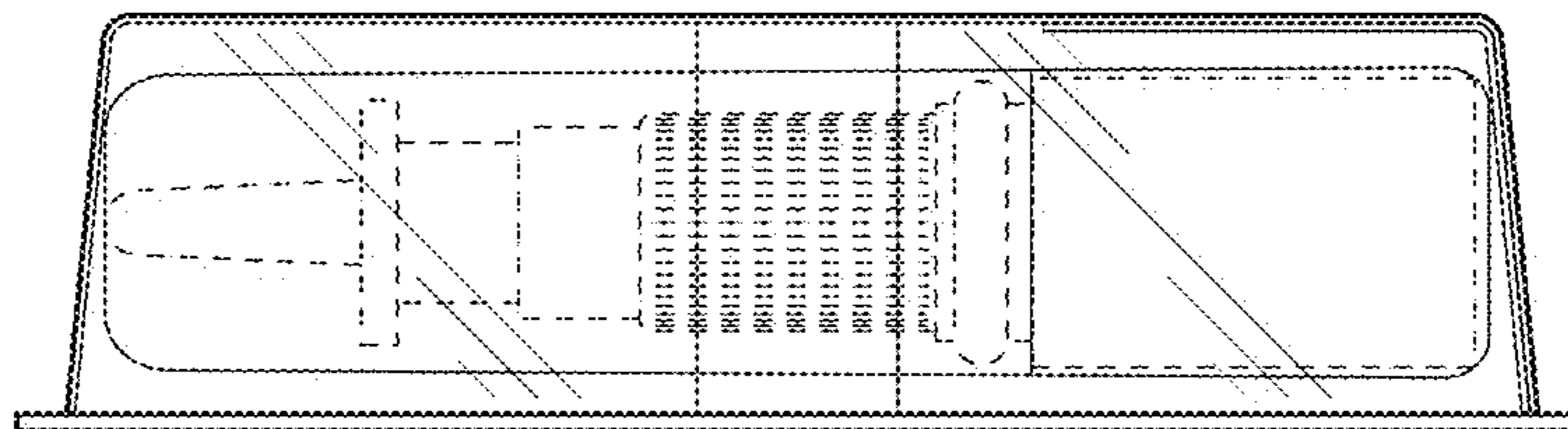


FIG. 4

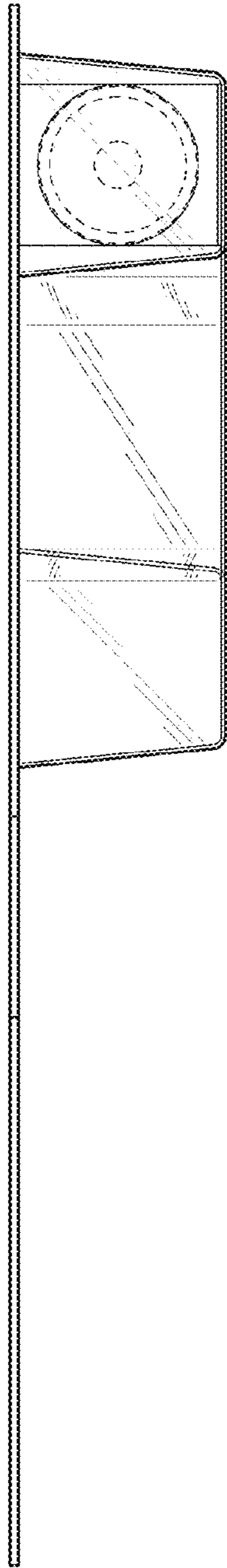


FIG. 6

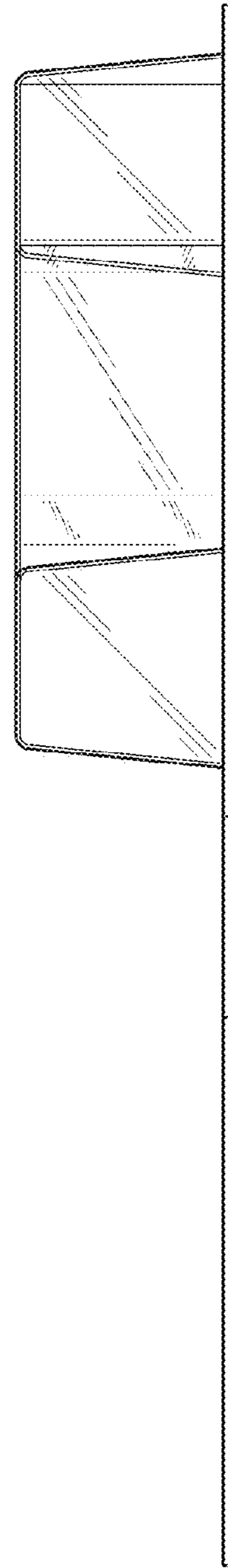


FIG. 7

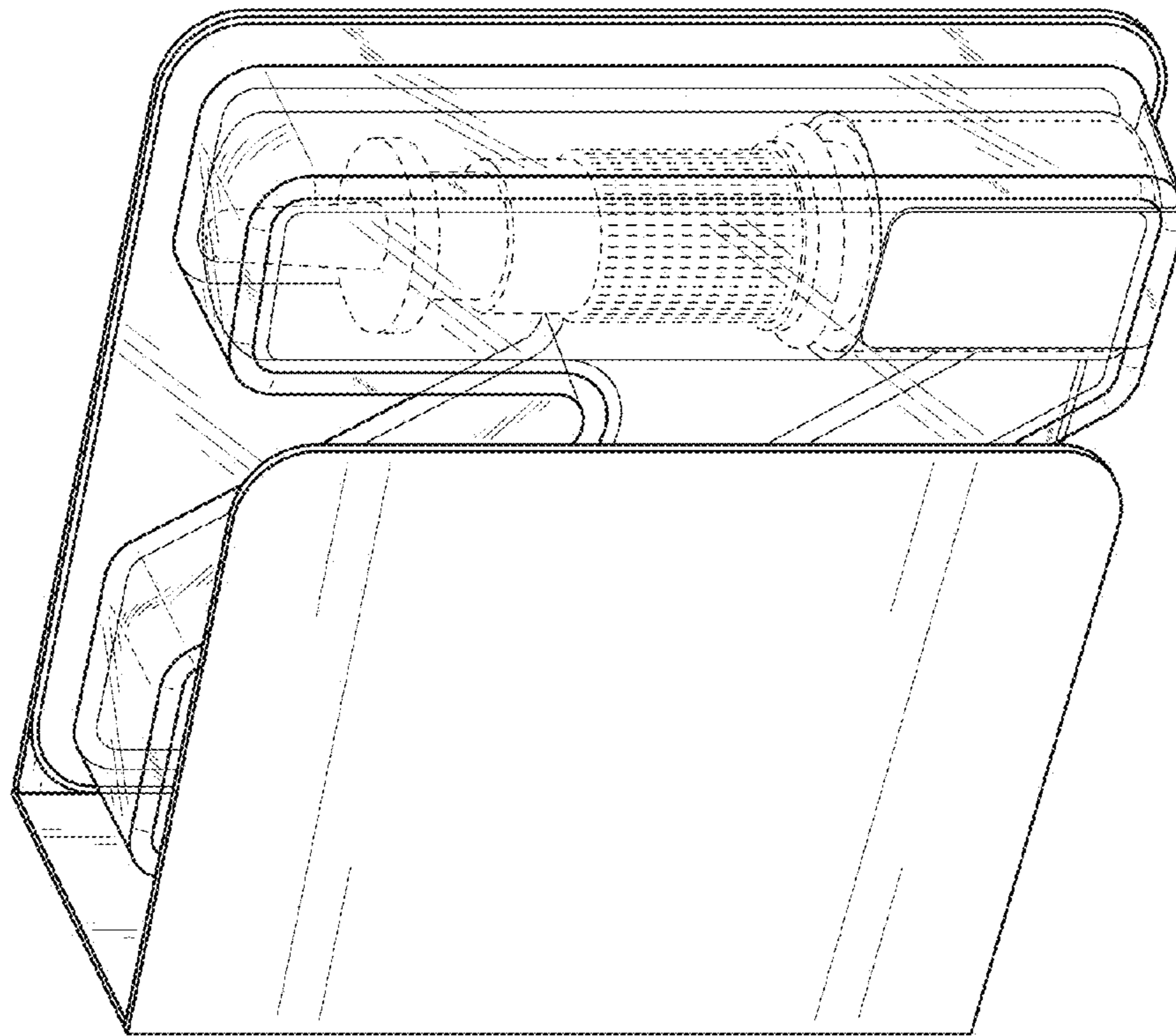


FIG. 8

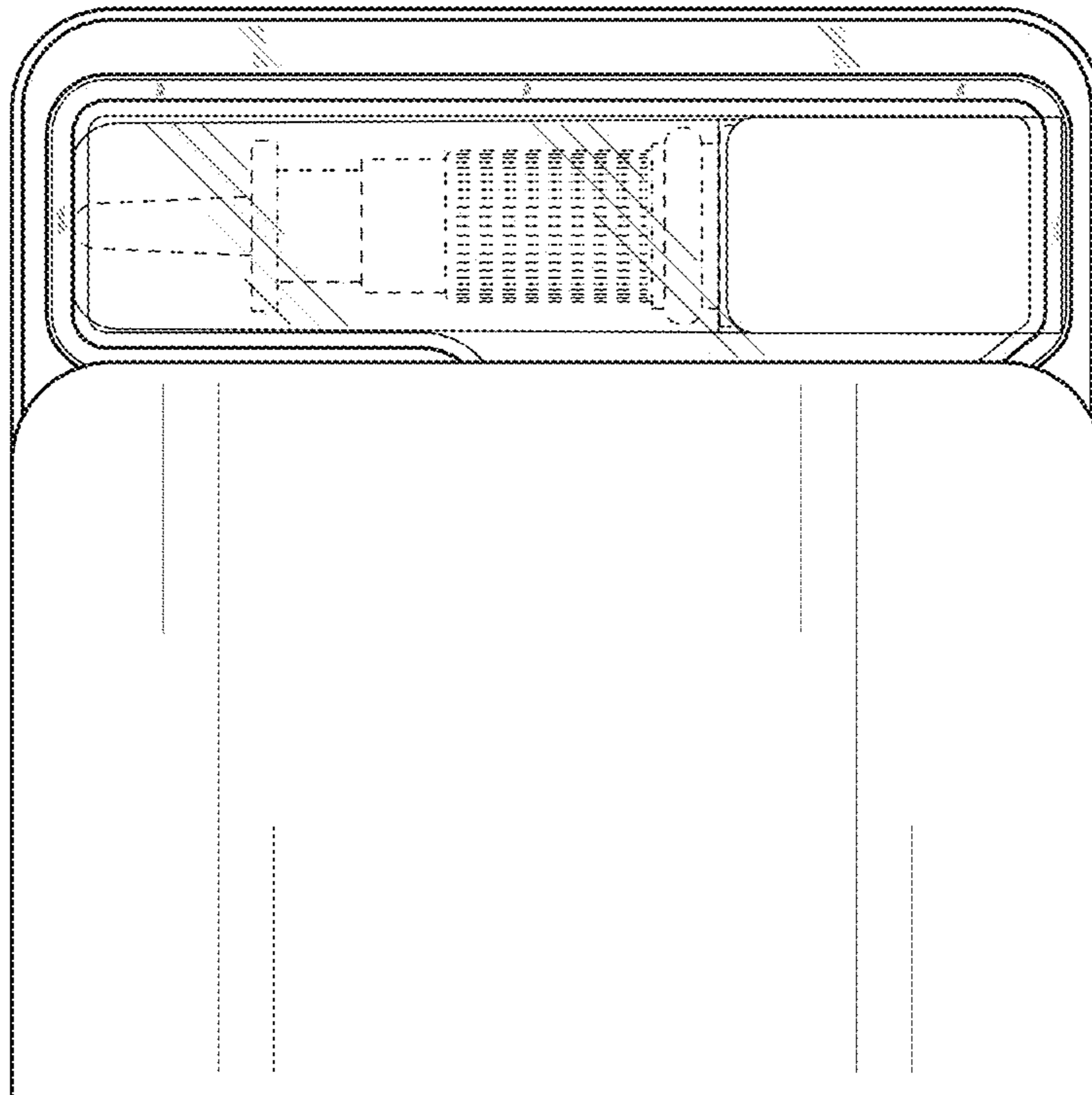


FIG. 9

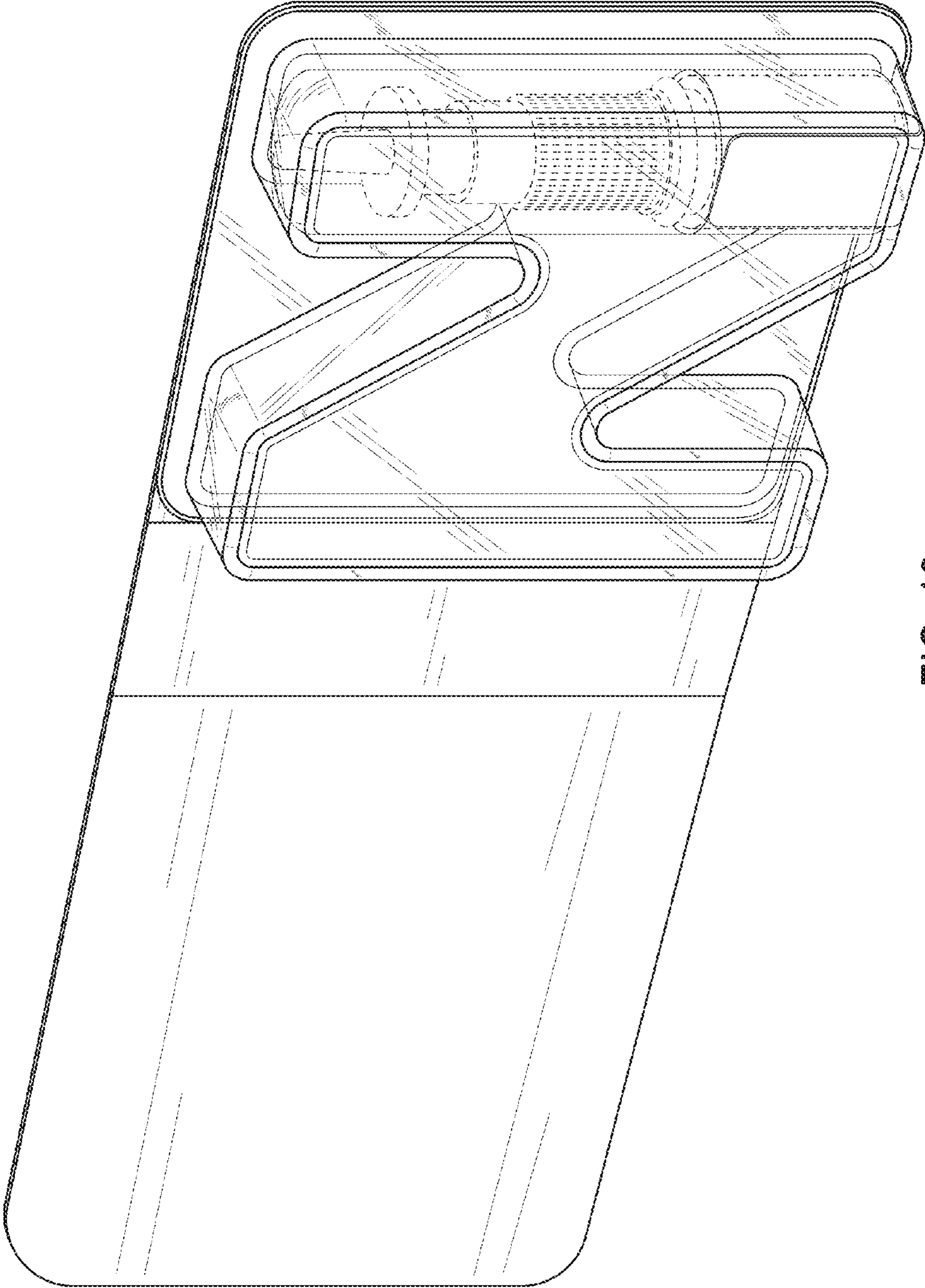


FIG. 10

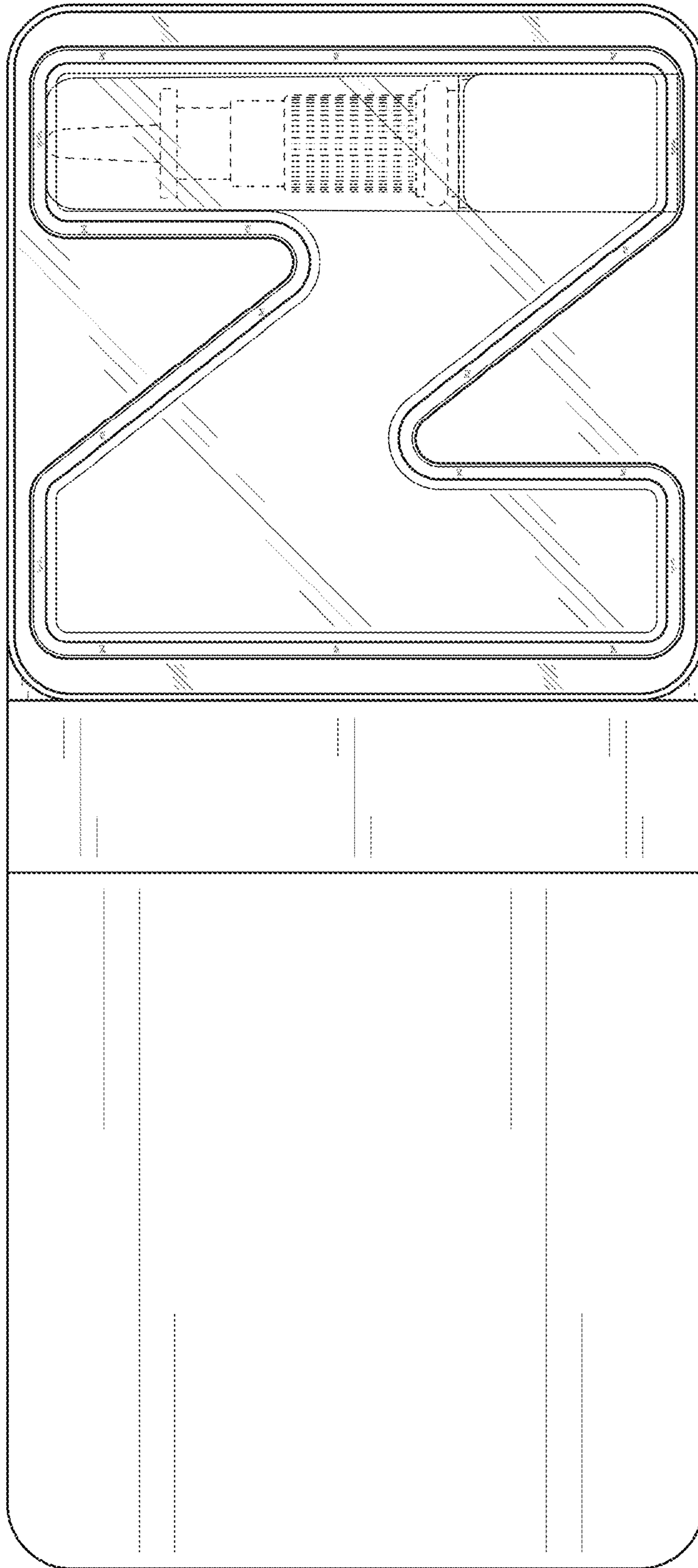


FIG. 11

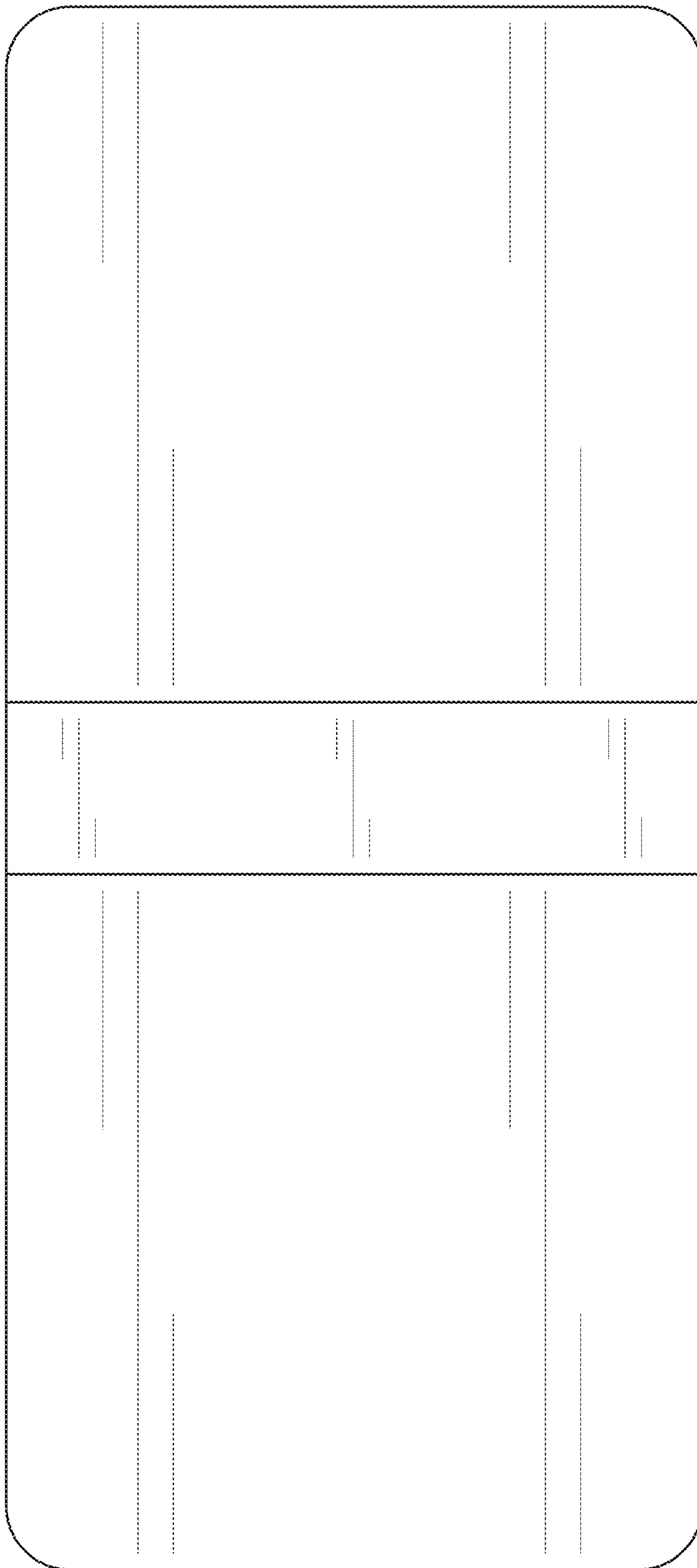


FIG. 12

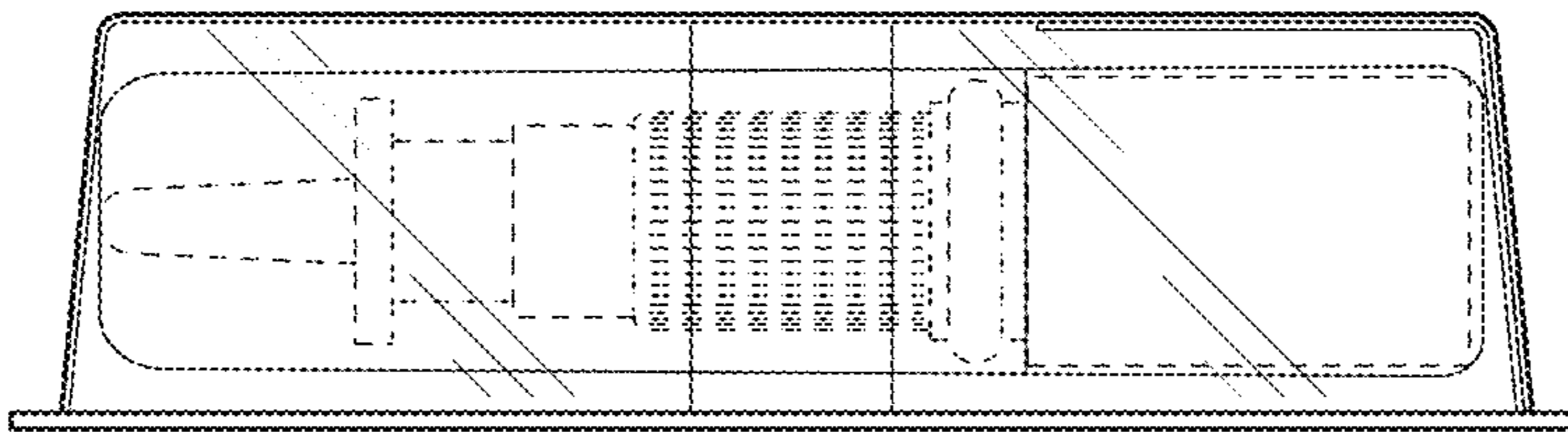


FIG. 13

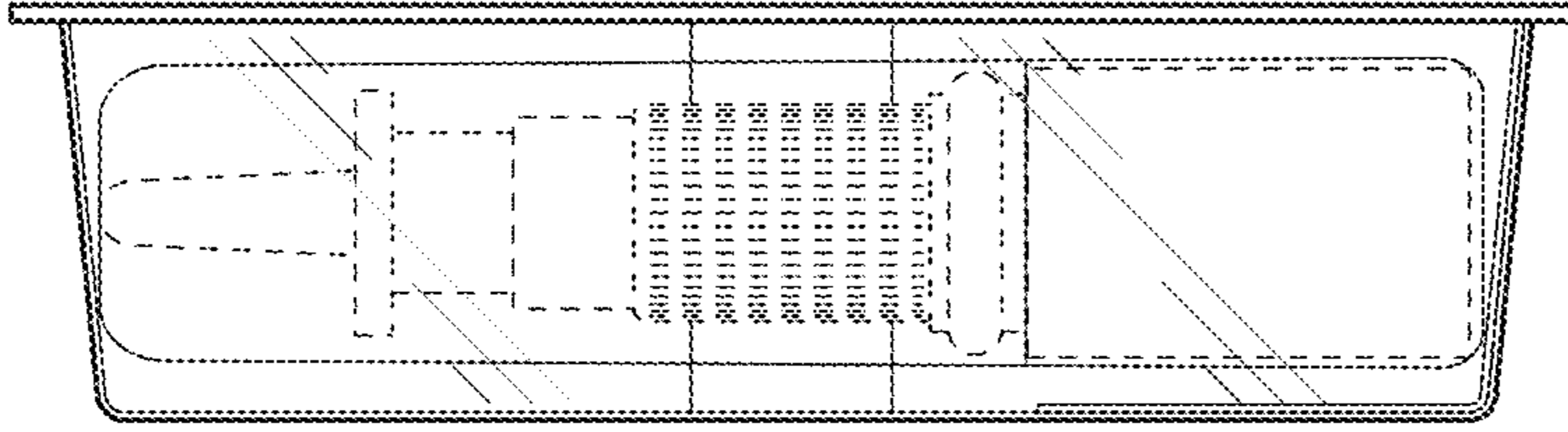


FIG. 14

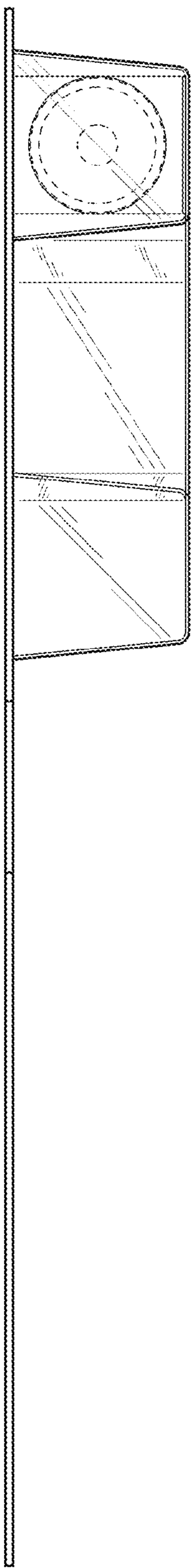


FIG. 15

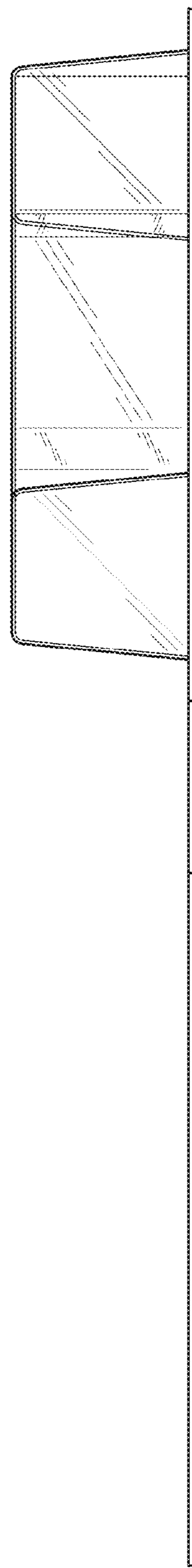


FIG. 16

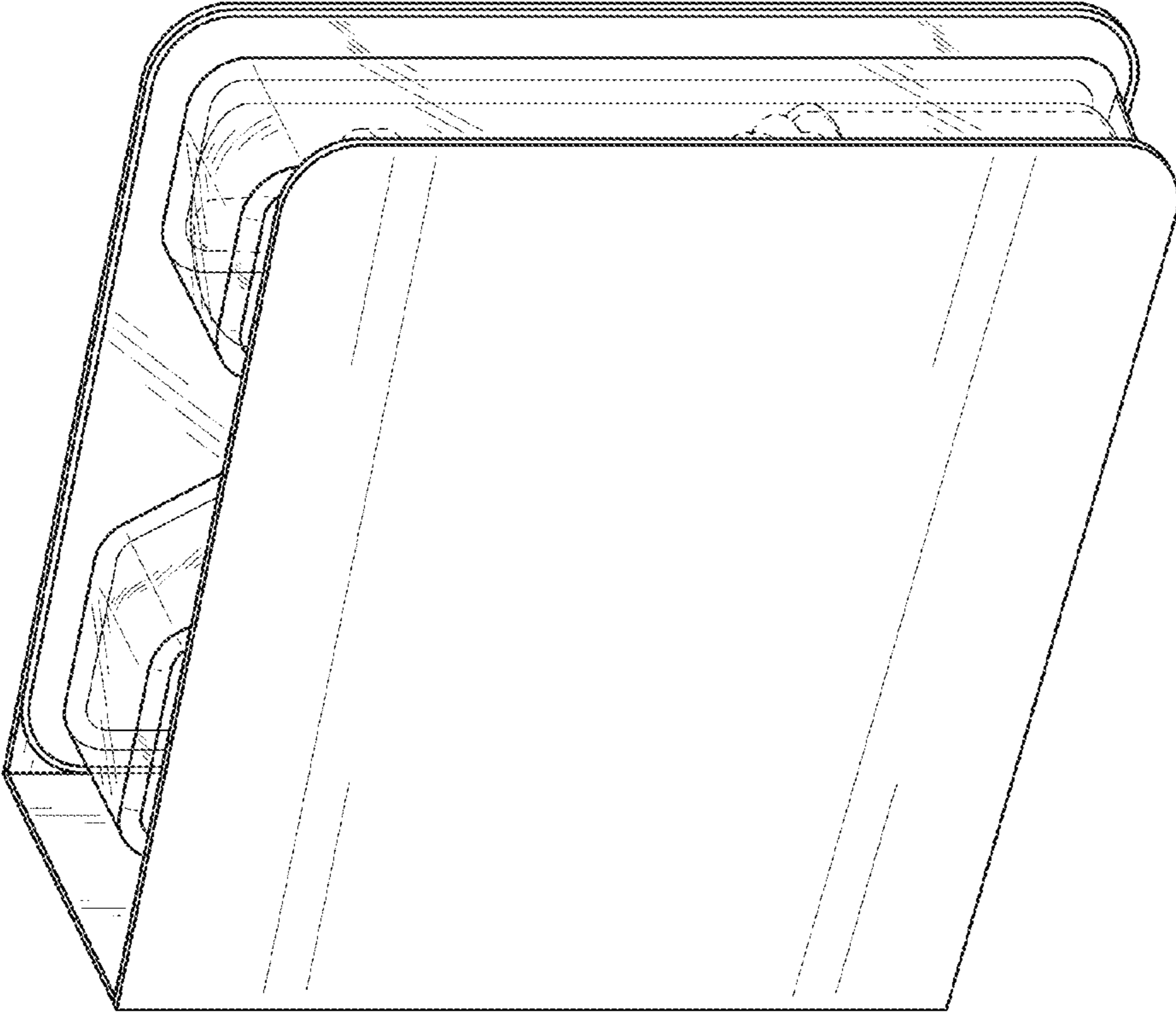


FIG. 17

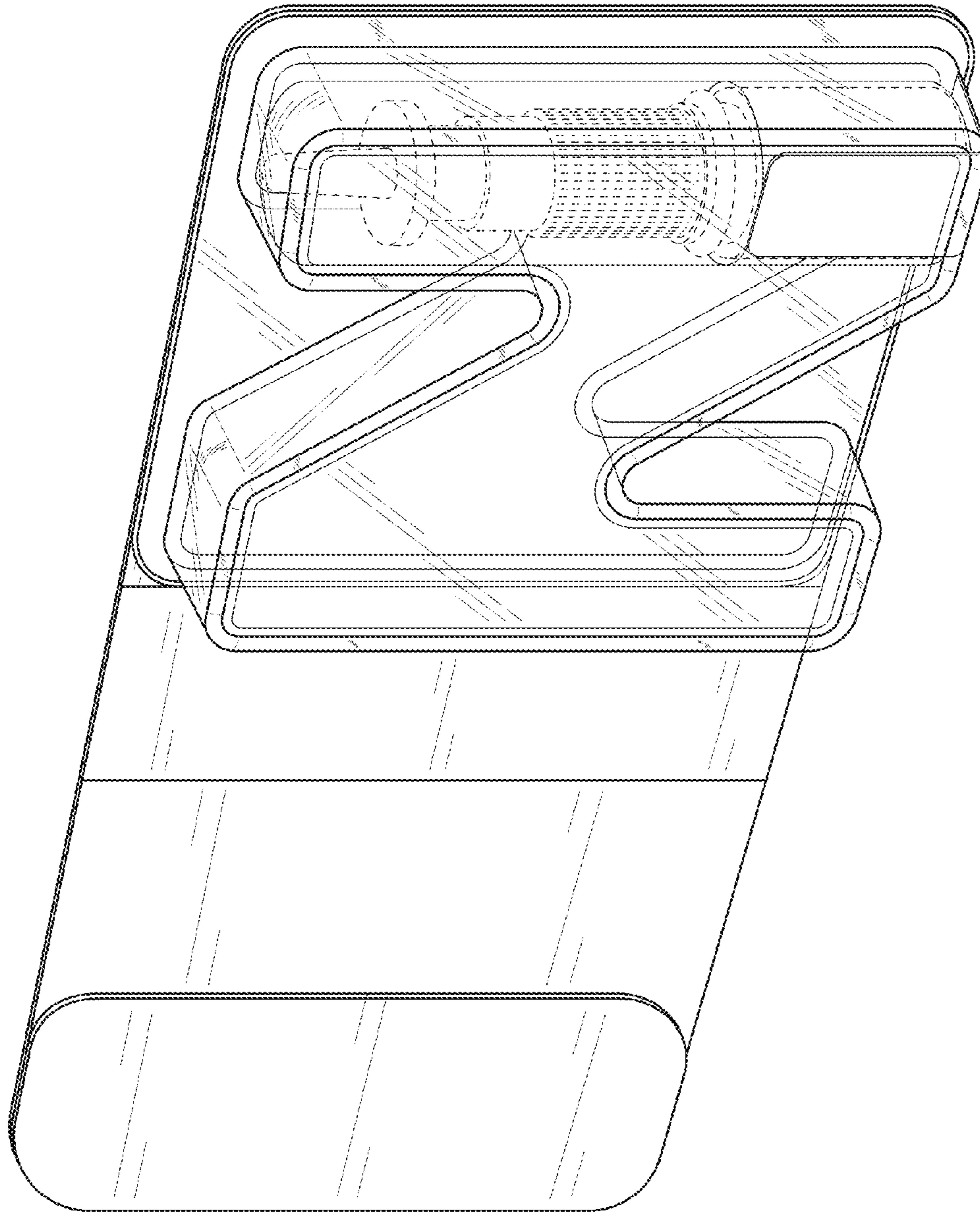


FIG. 18

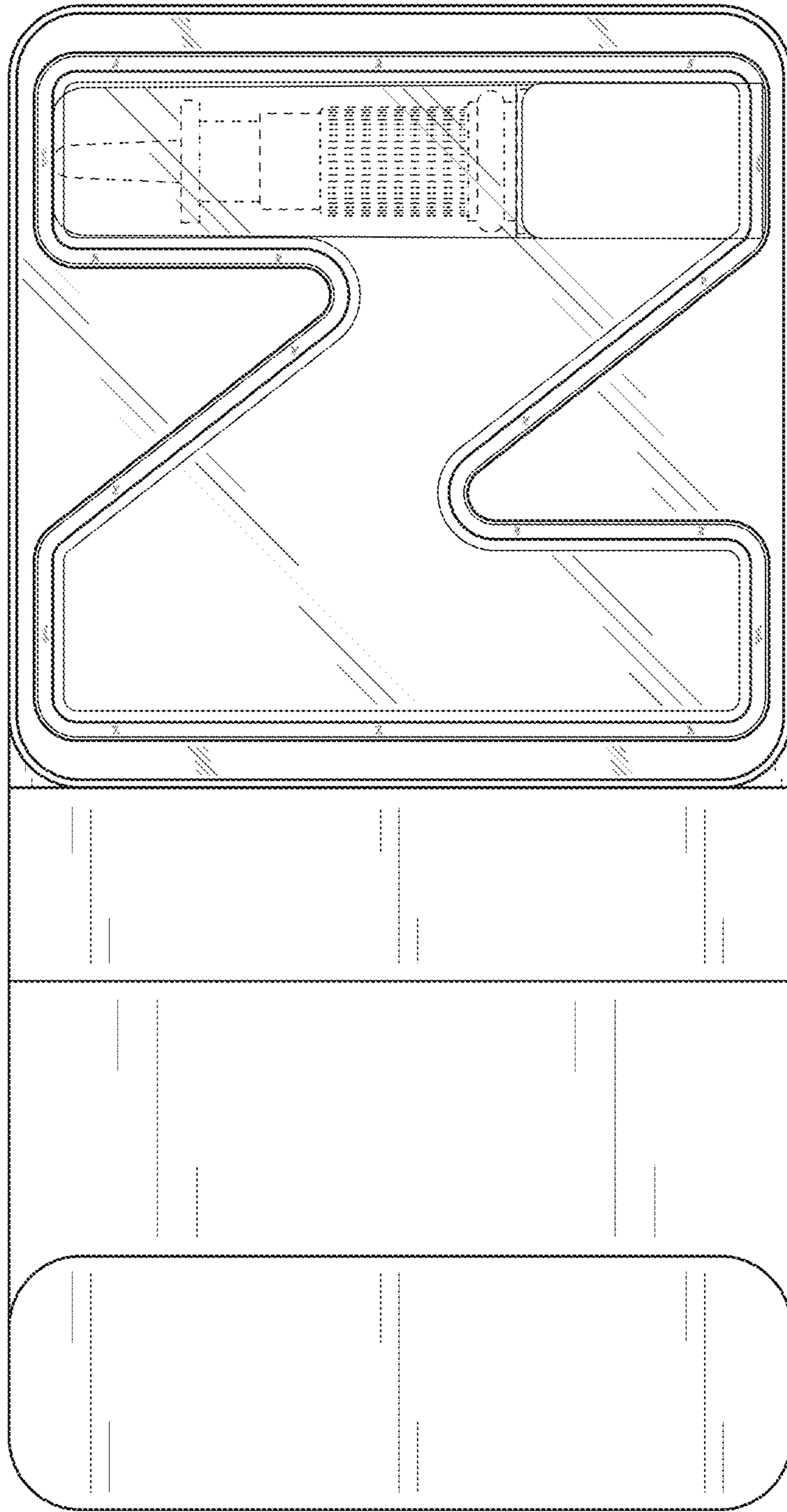


FIG. 19

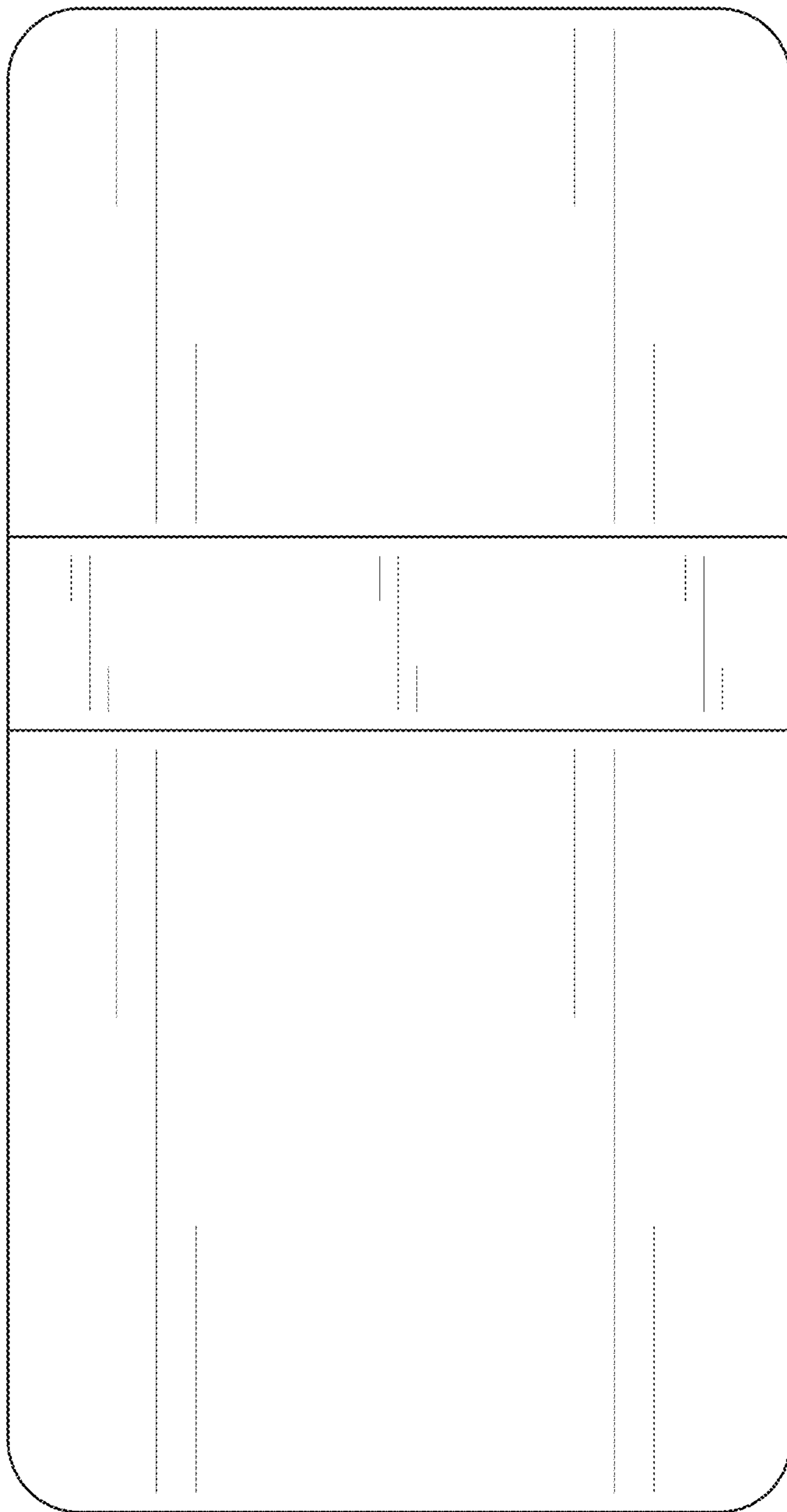


FIG. 20

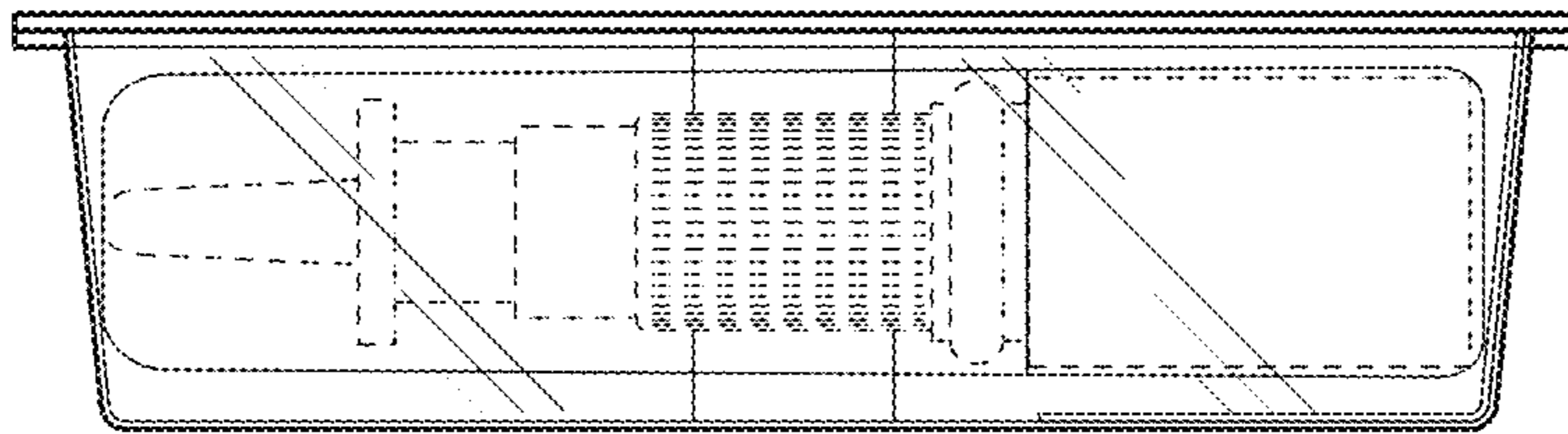


FIG. 22

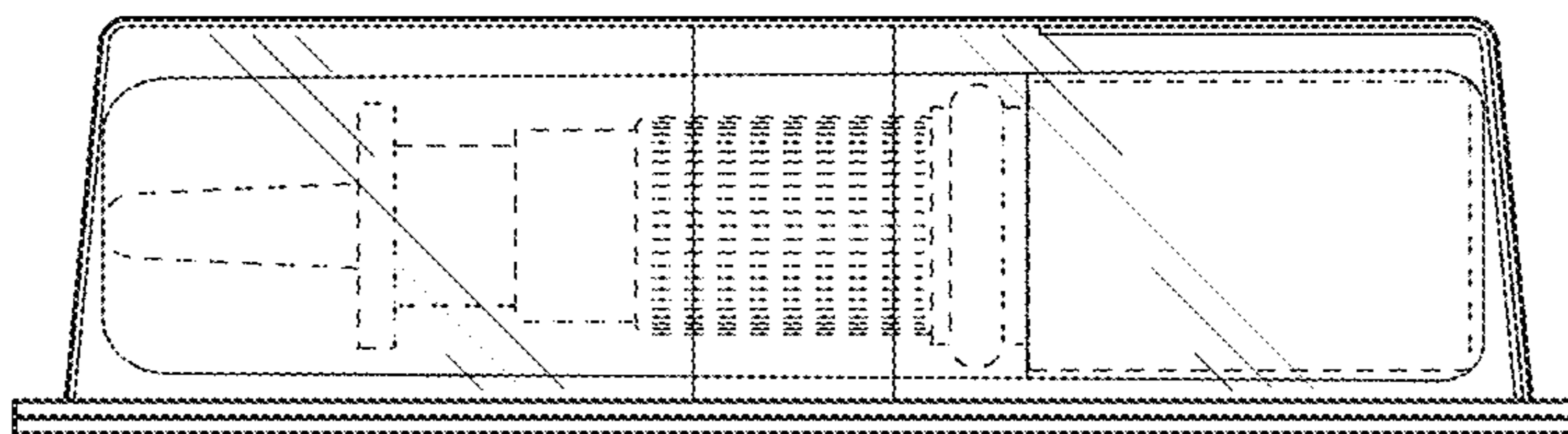


FIG. 21

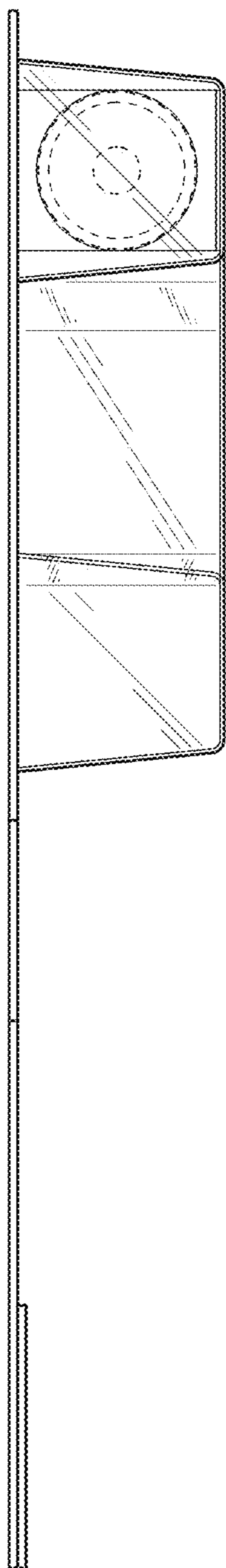


FIG. 23

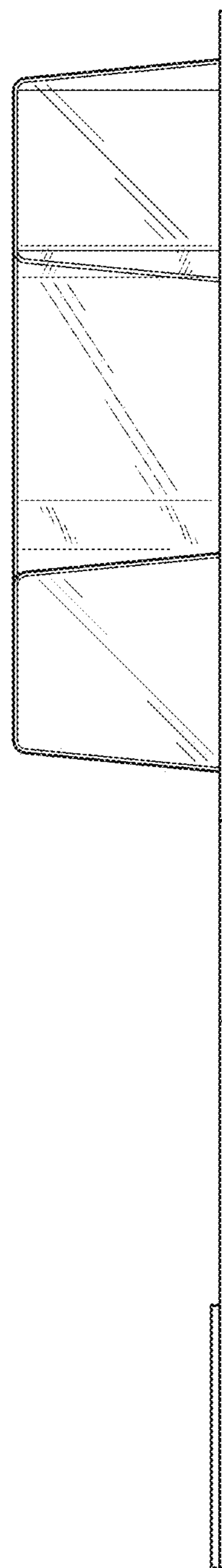


FIG. 24

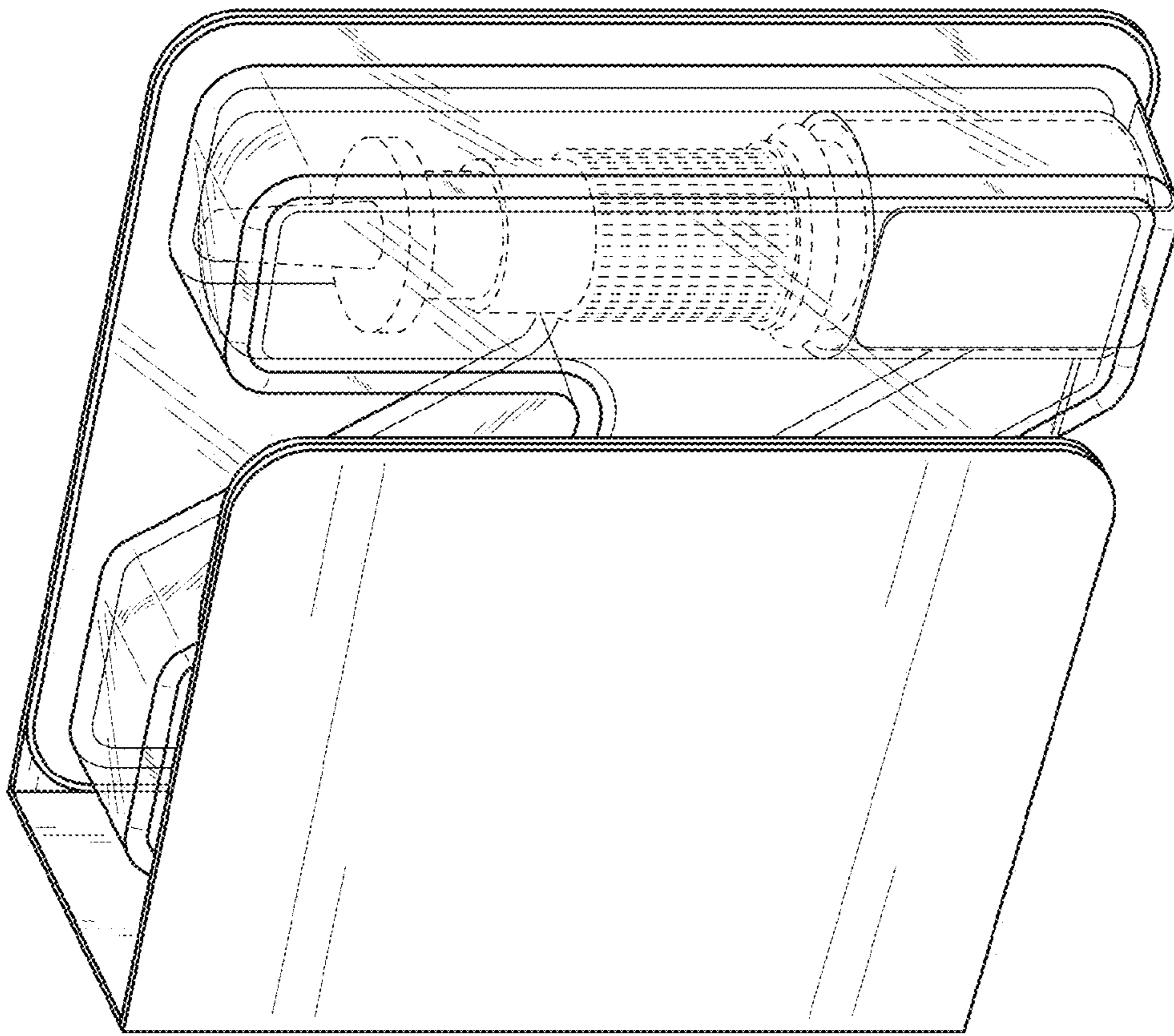


FIG. 25

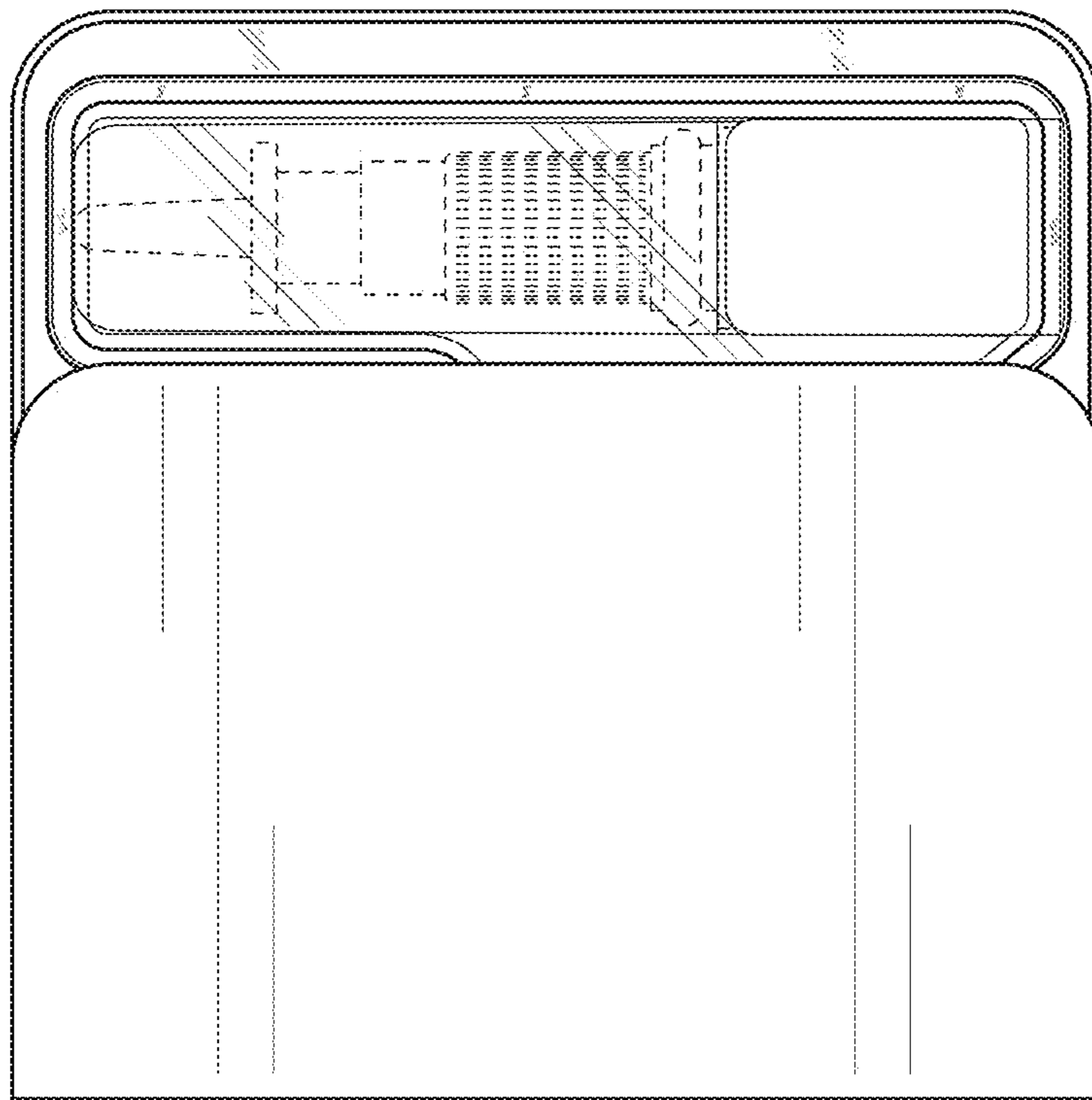


FIG. 26

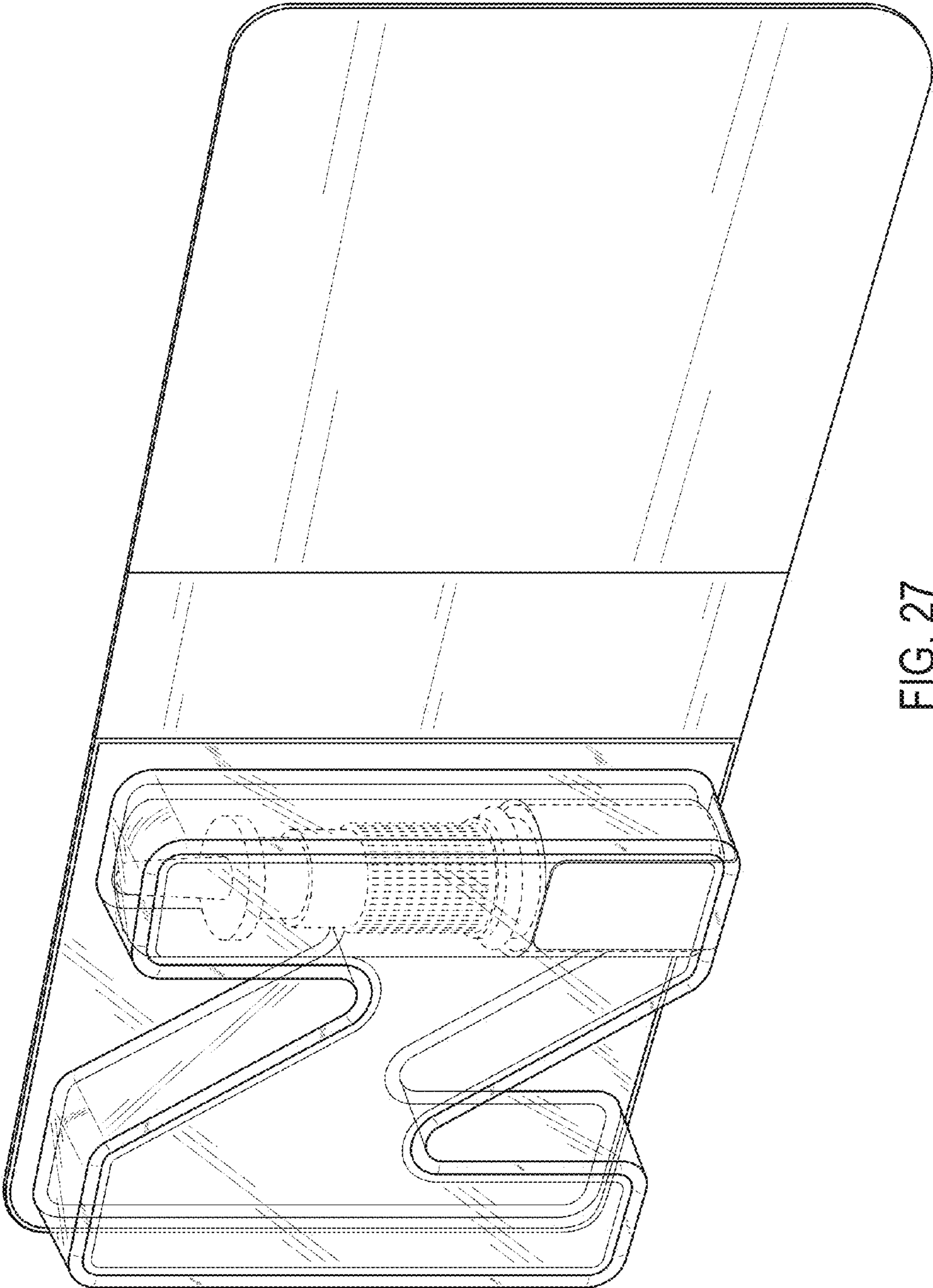


FIG. 27

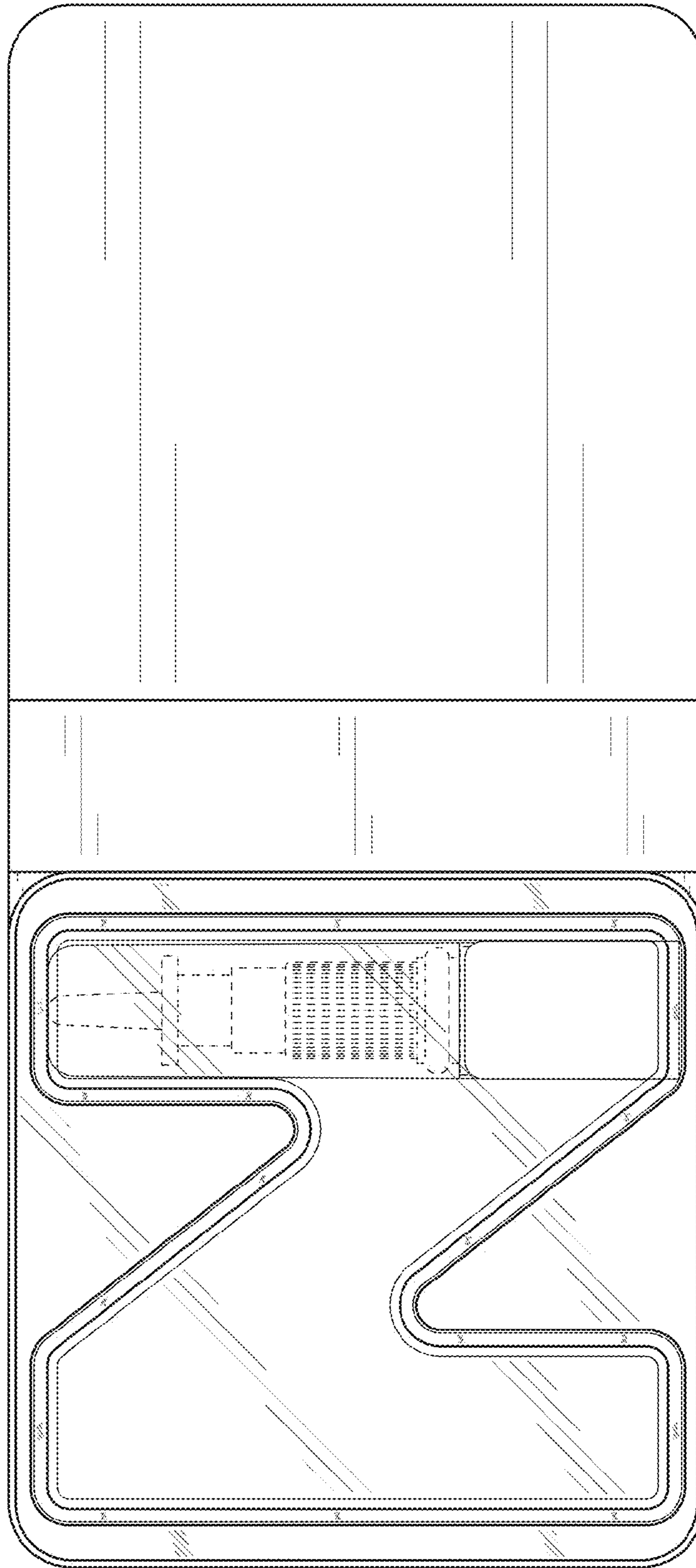


FIG. 28

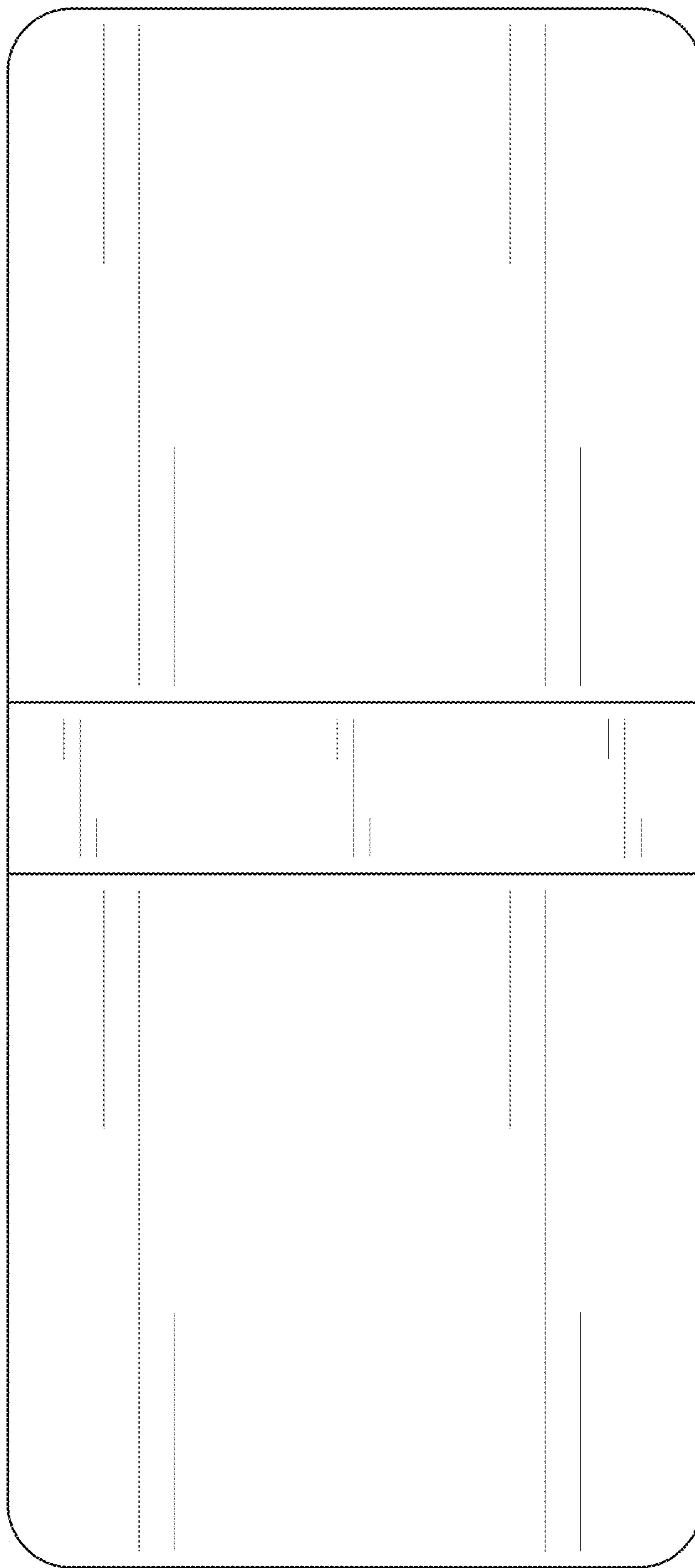


FIG. 29

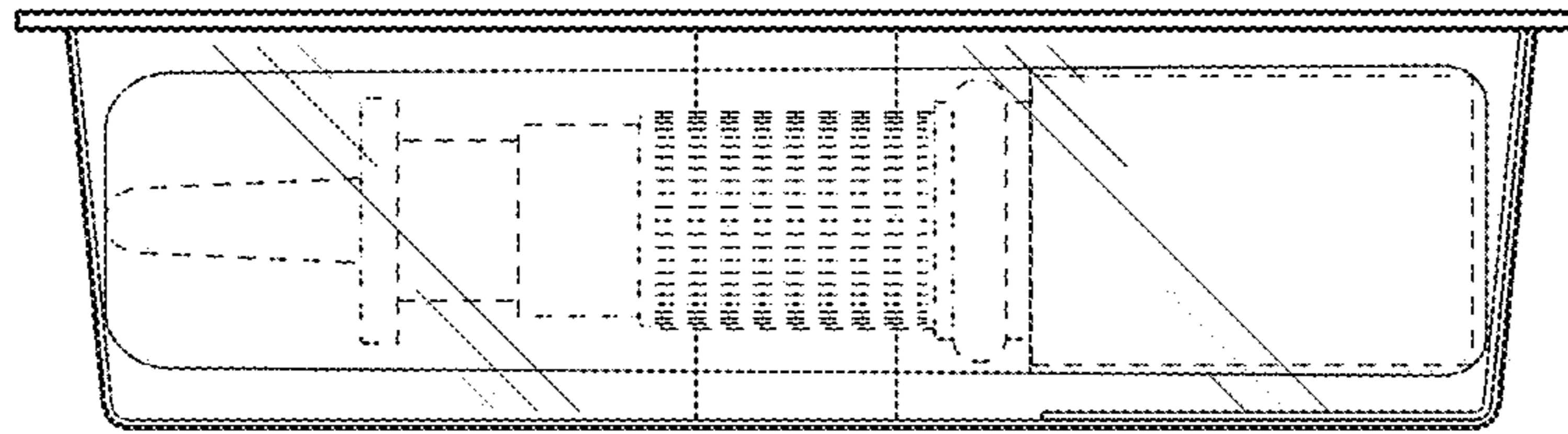


FIG. 31

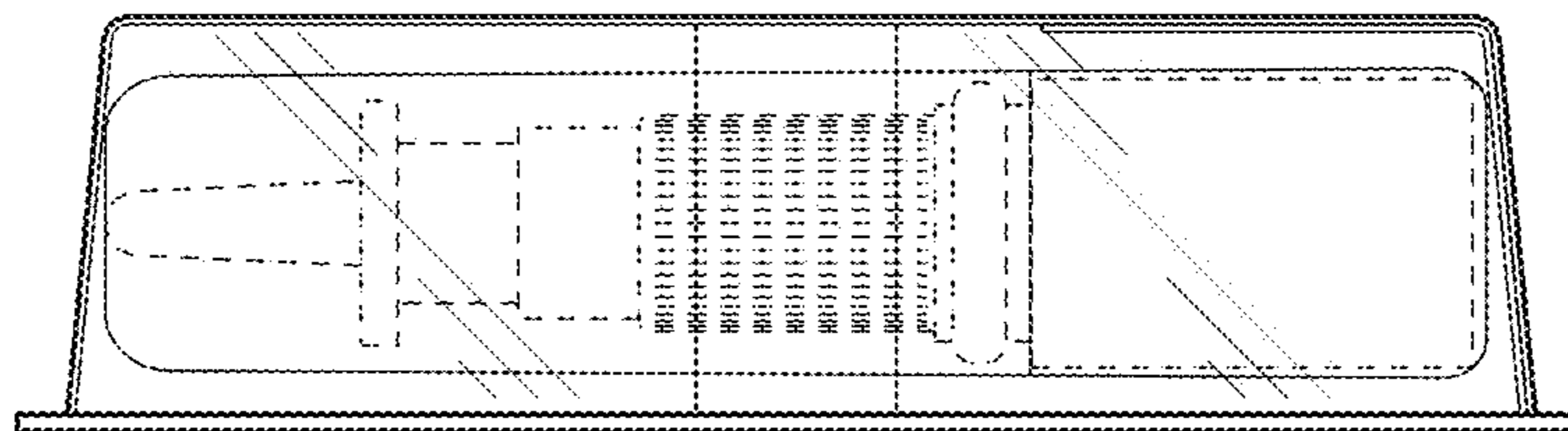


FIG. 30

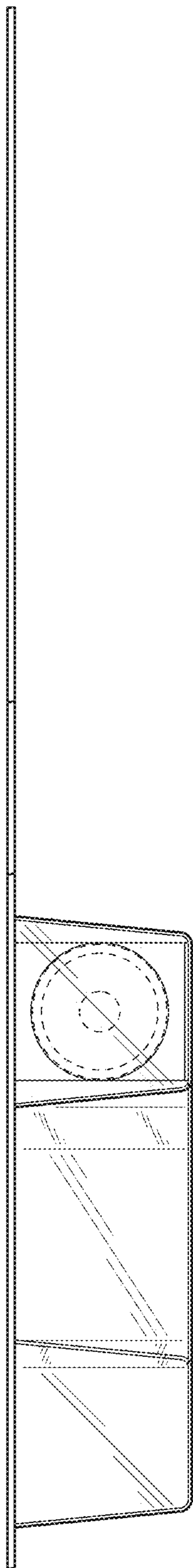


FIG. 32

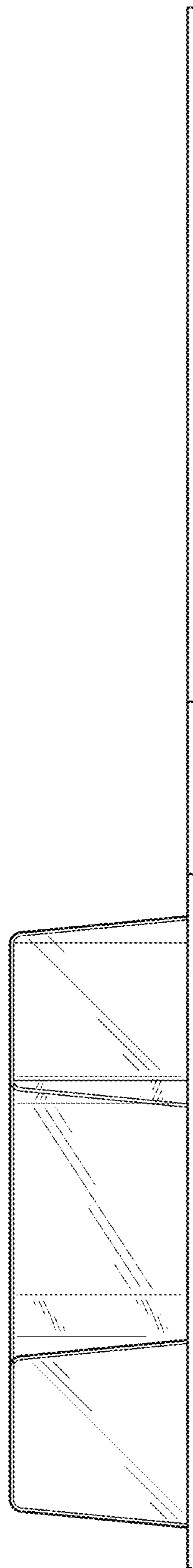


FIG. 33

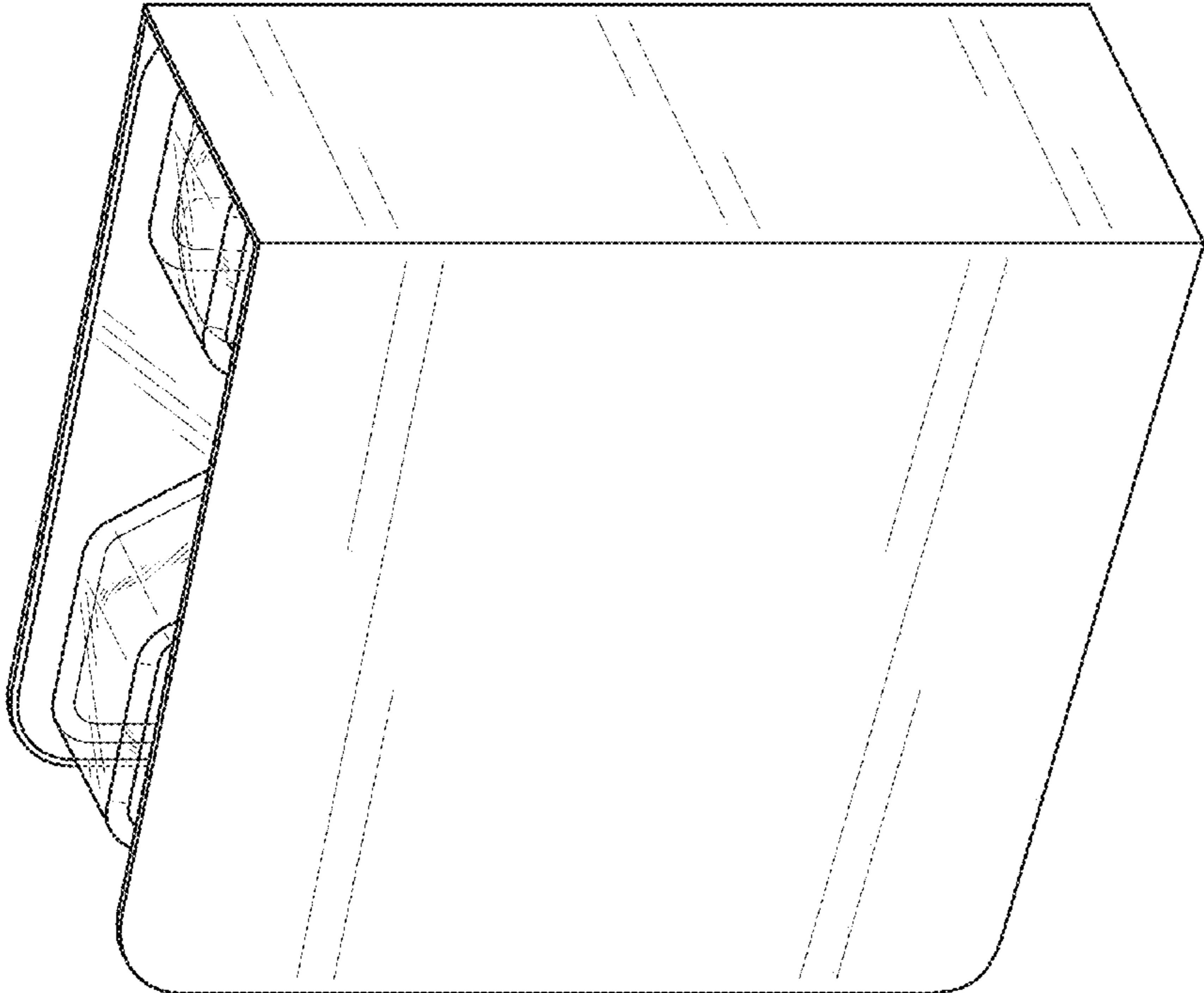


FIG. 34

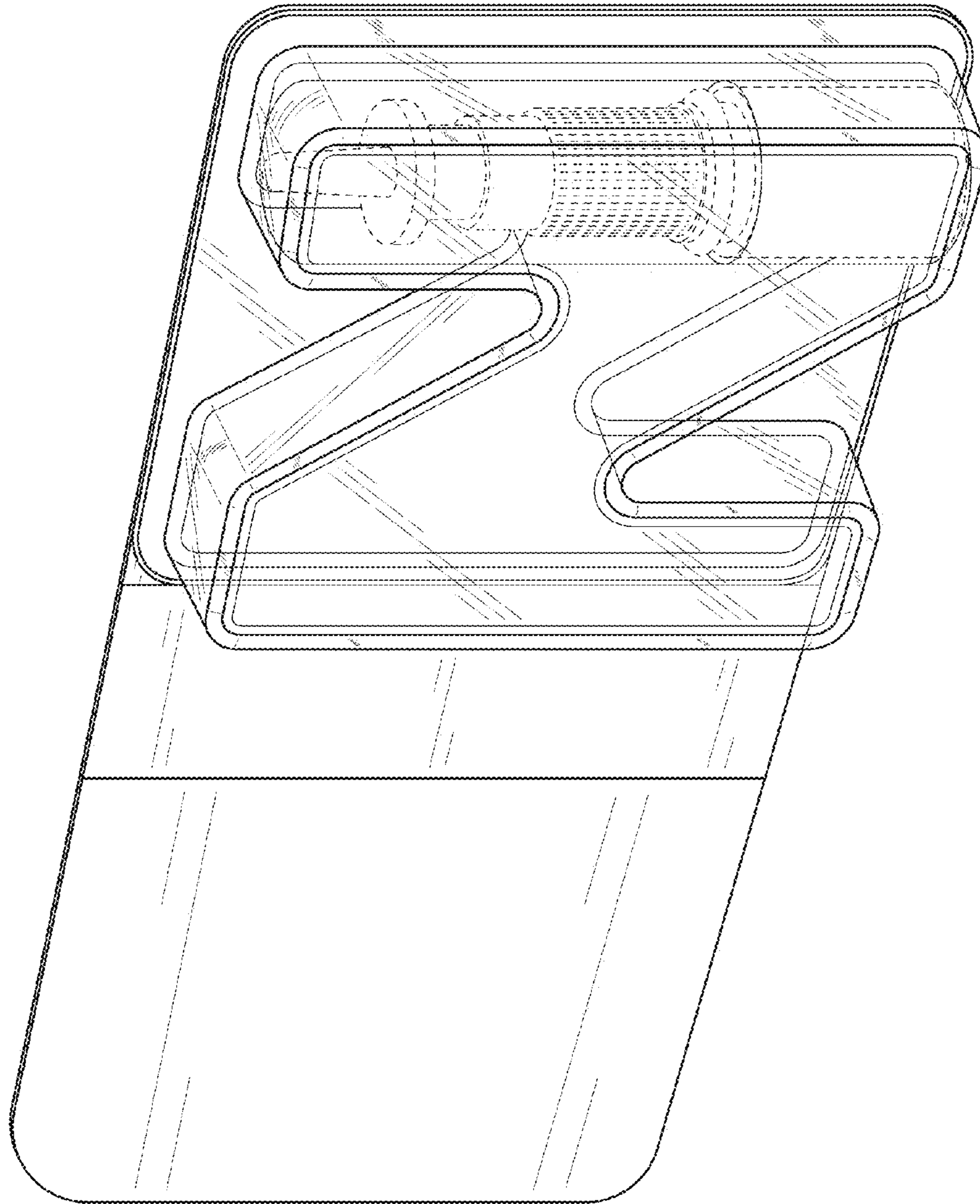


FIG. 35

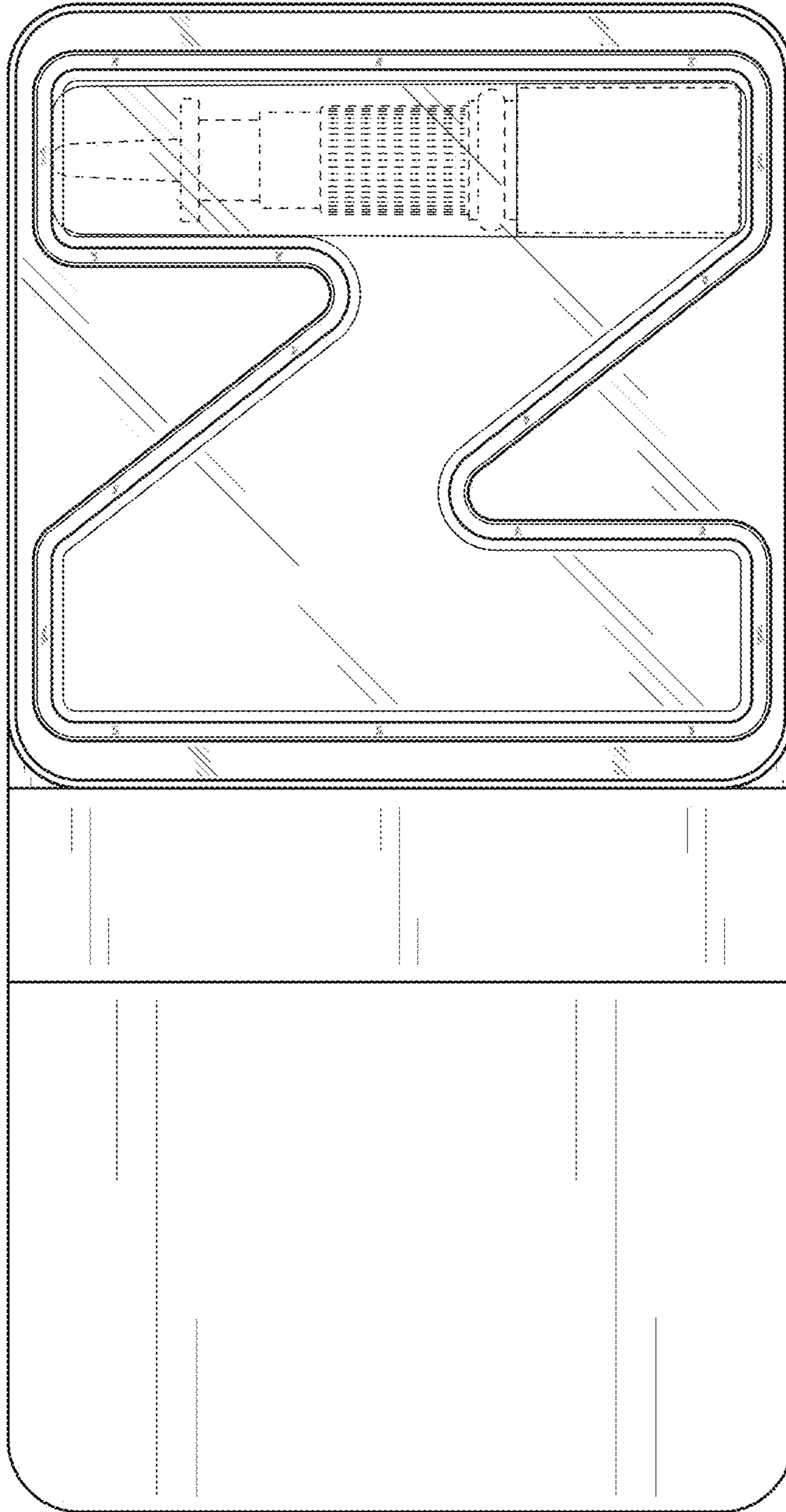


FIG. 36

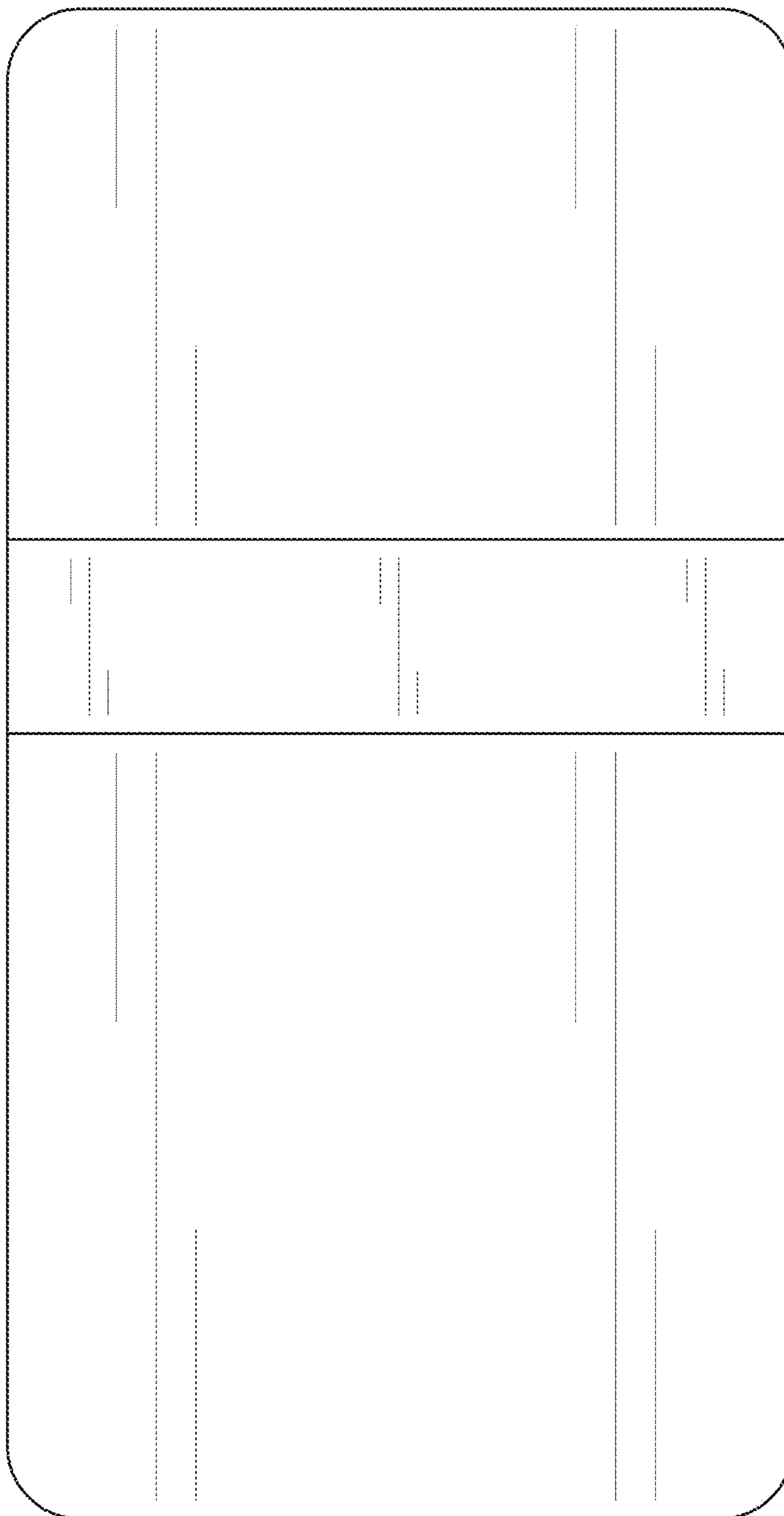


FIG. 37

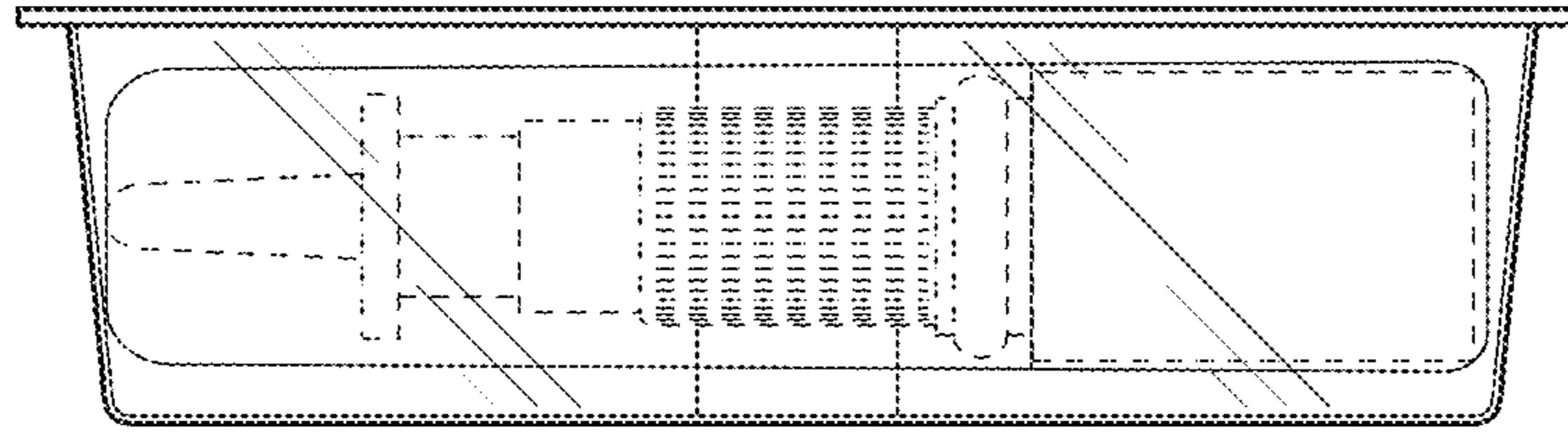


FIG. 38

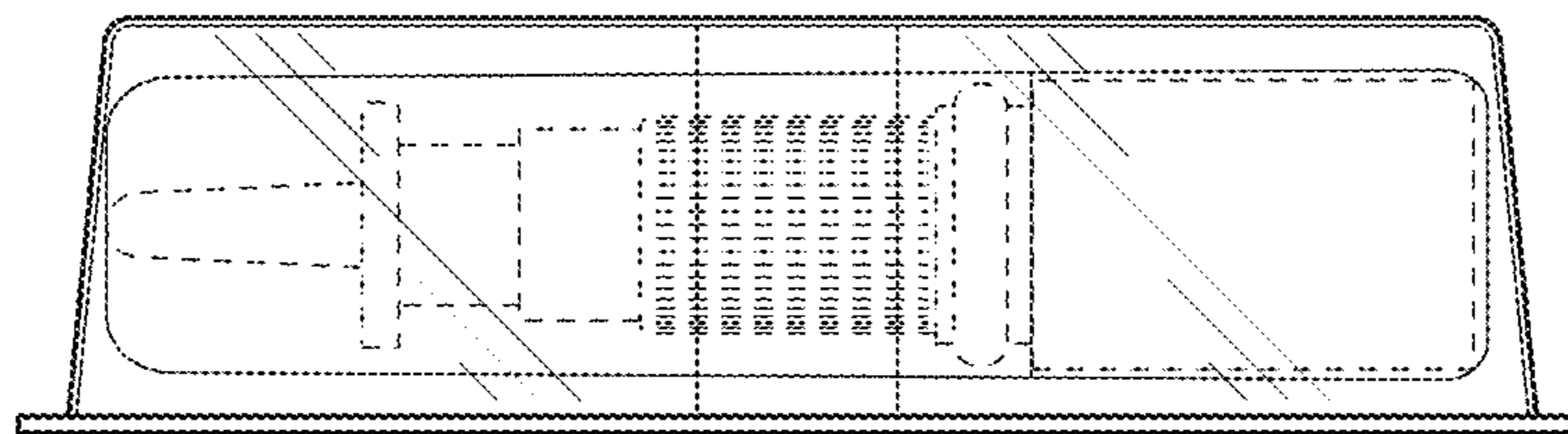


FIG. 39

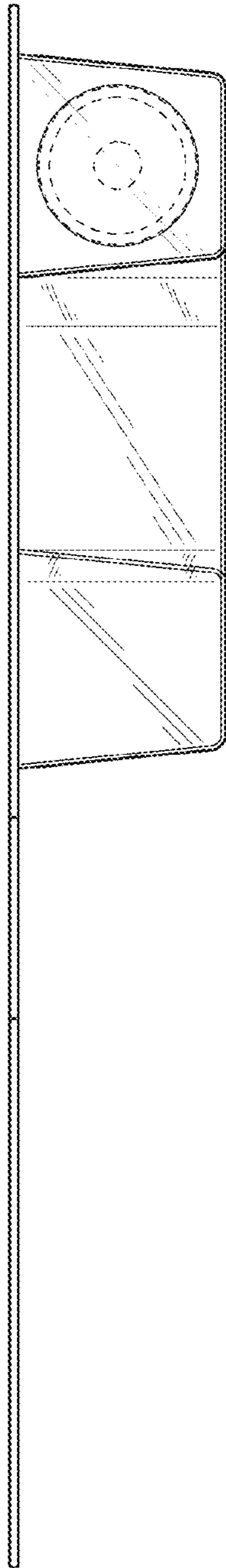


FIG. 40

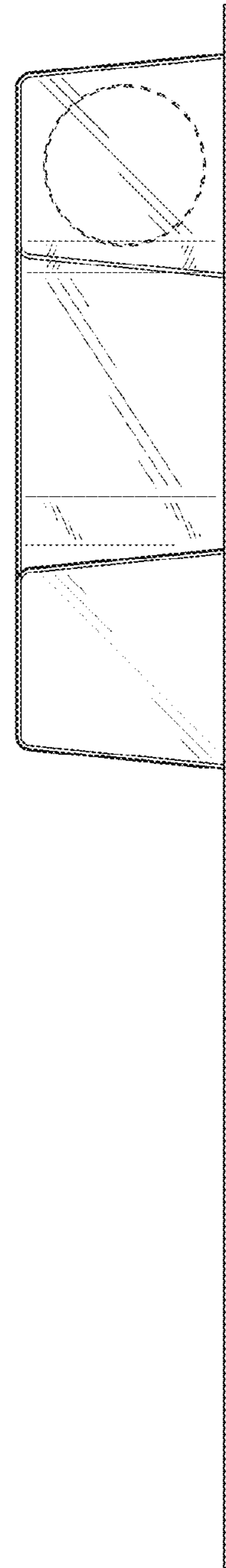


FIG. 41

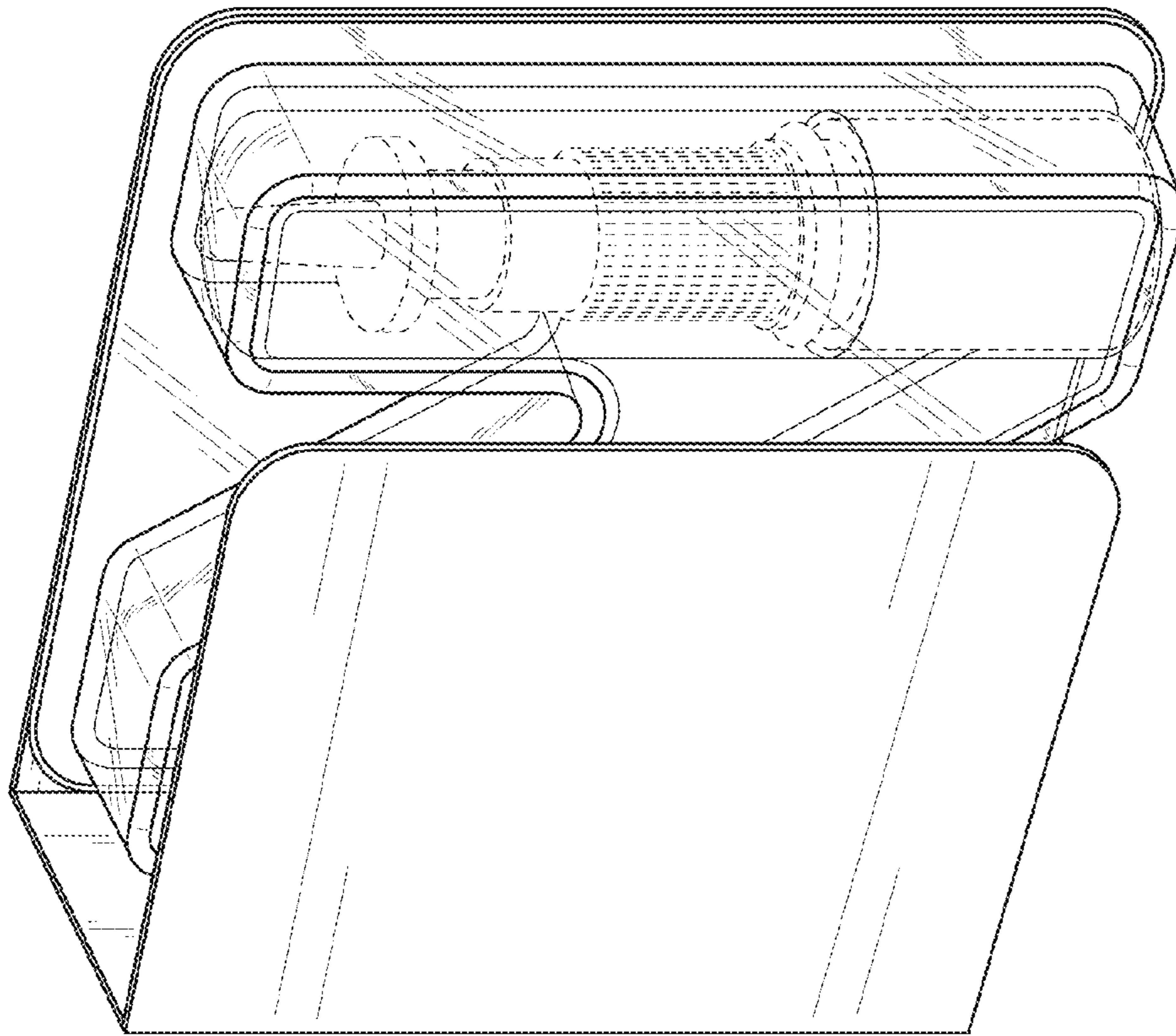


FIG. 42

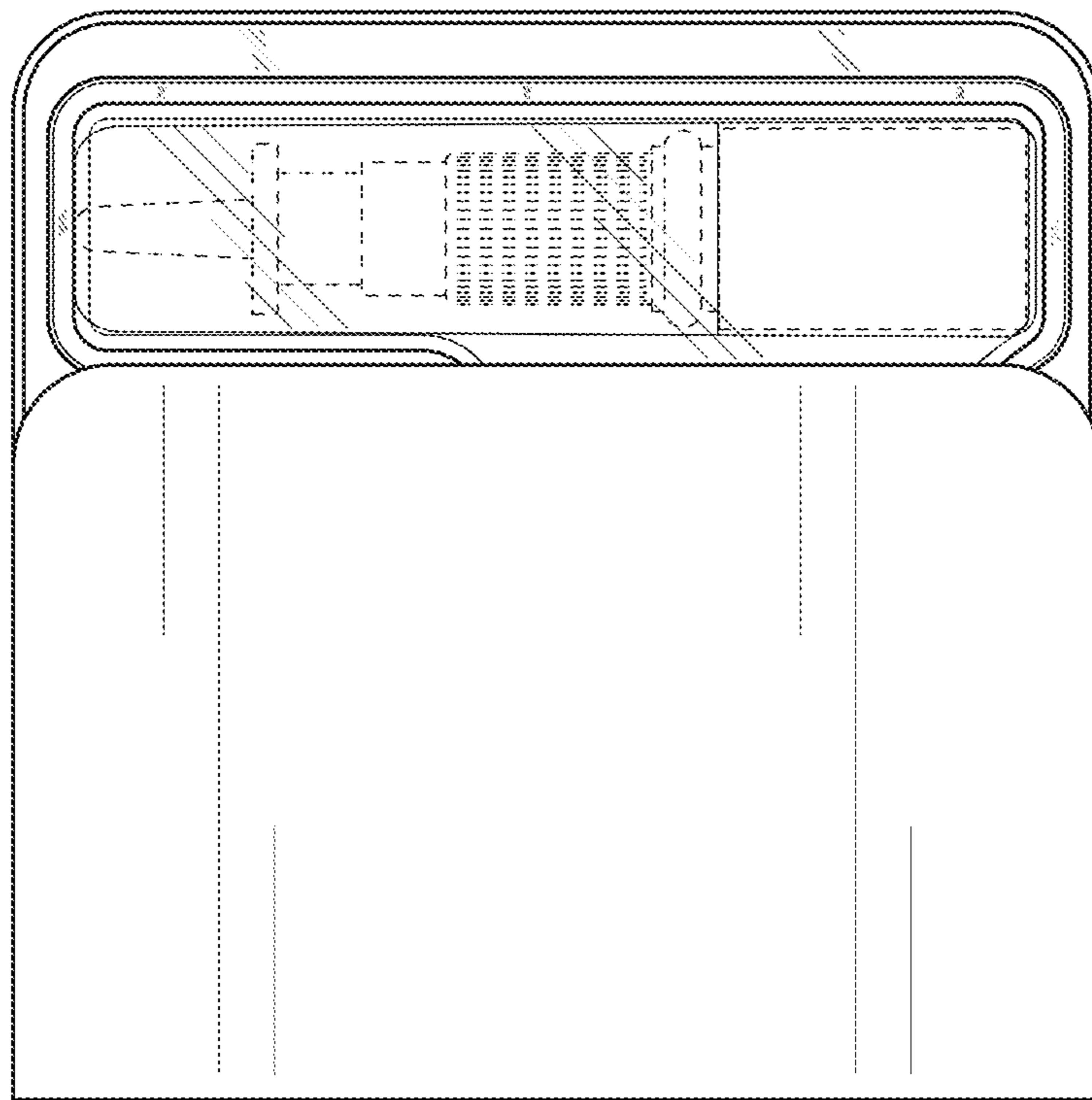


FIG. 43

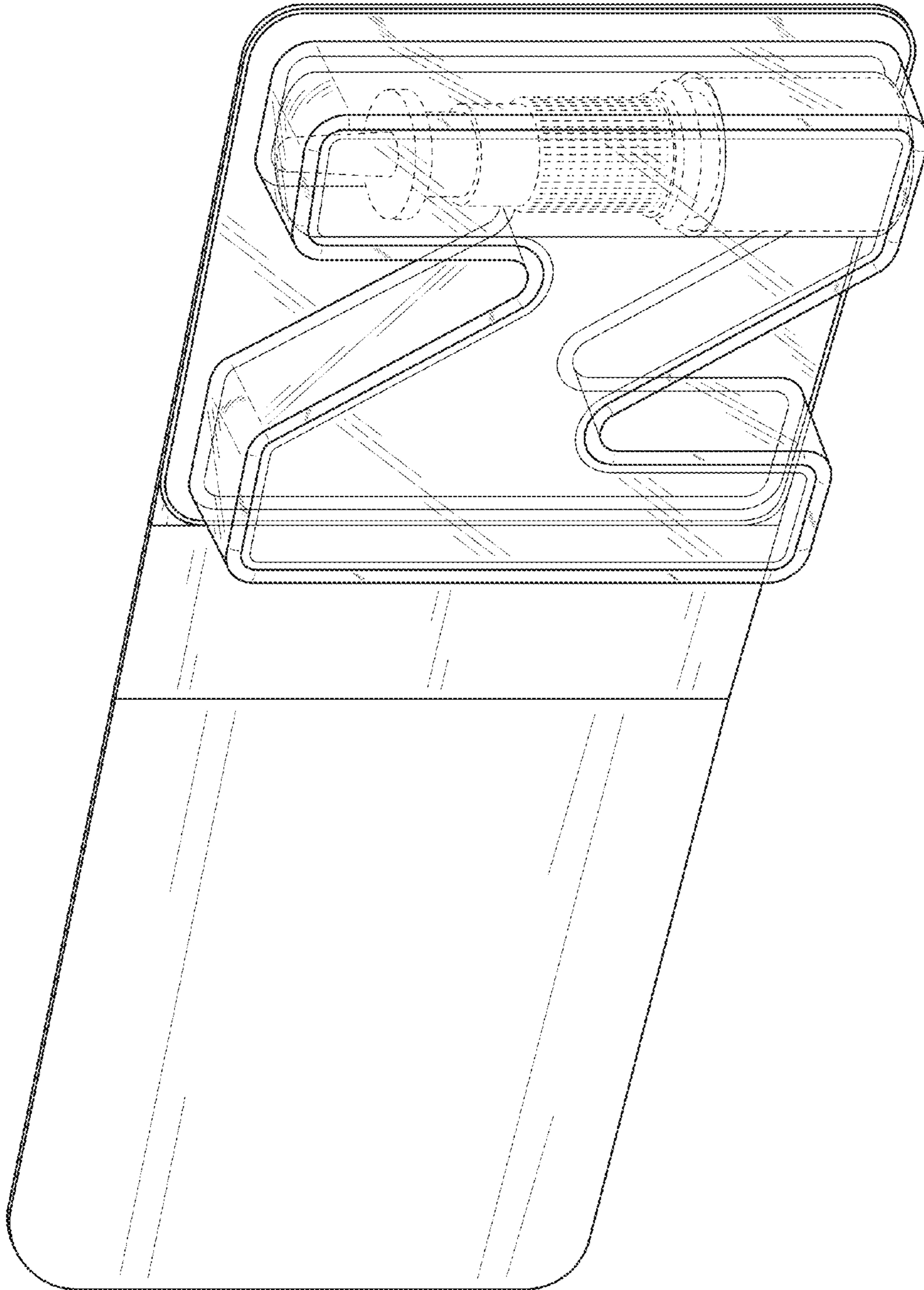


FIG. 44

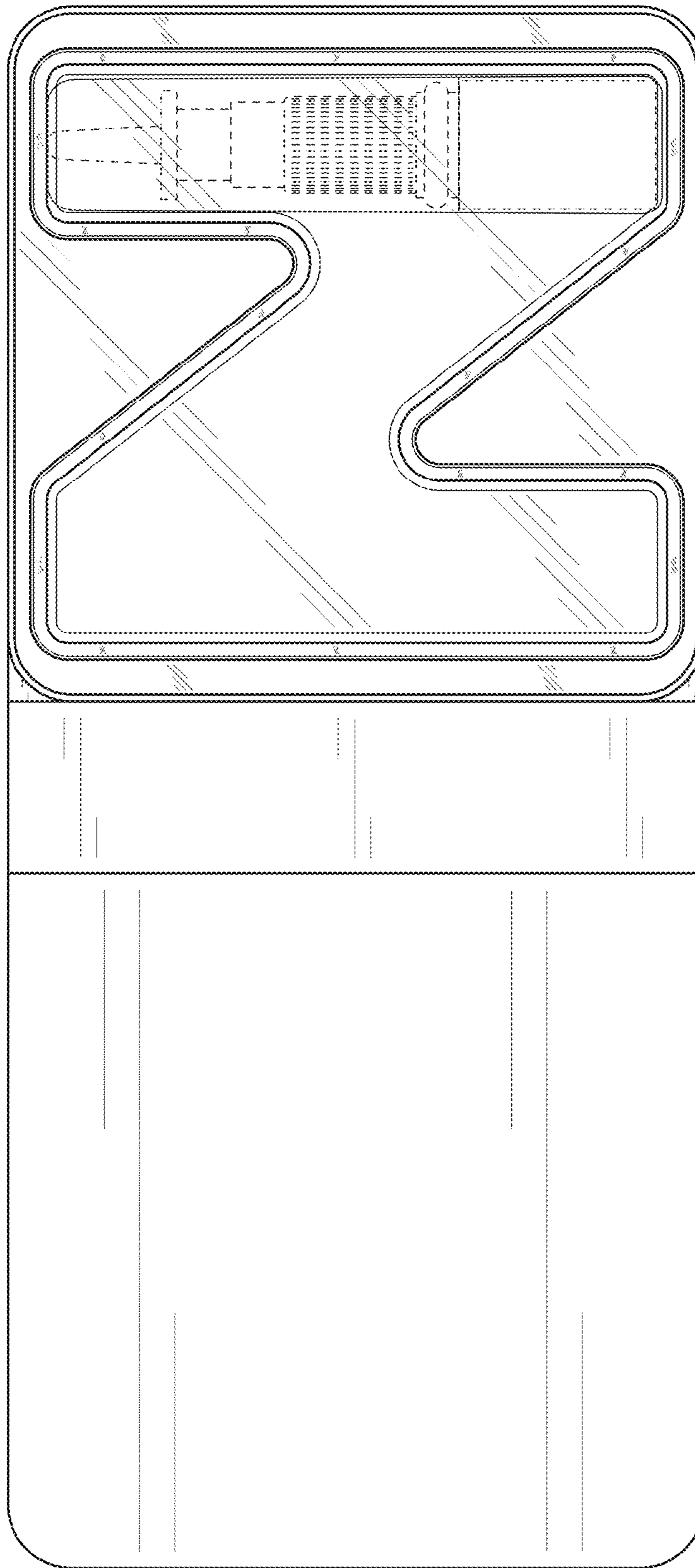


FIG. 45

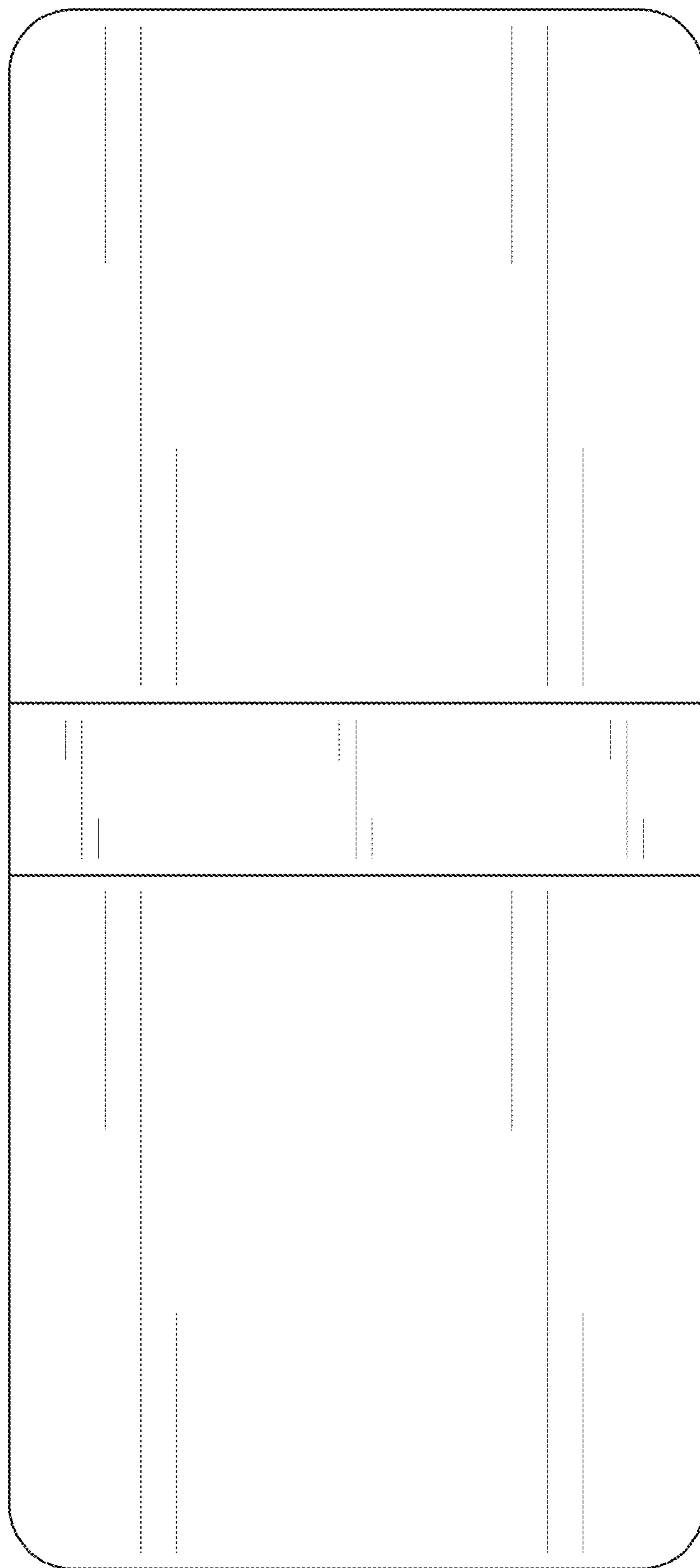


FIG. 46

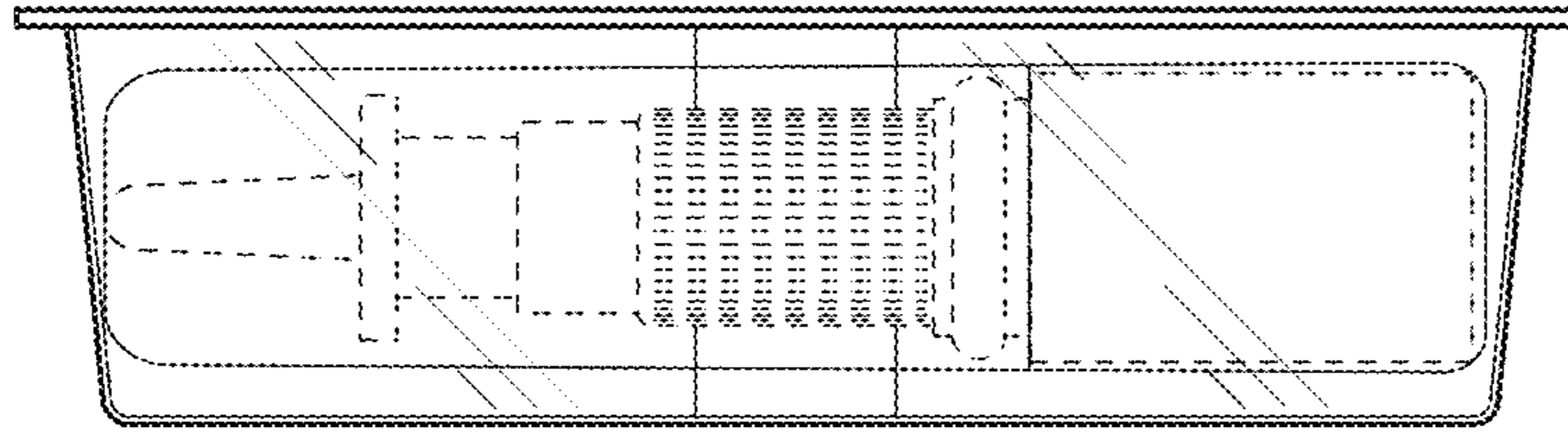


FIG. 47

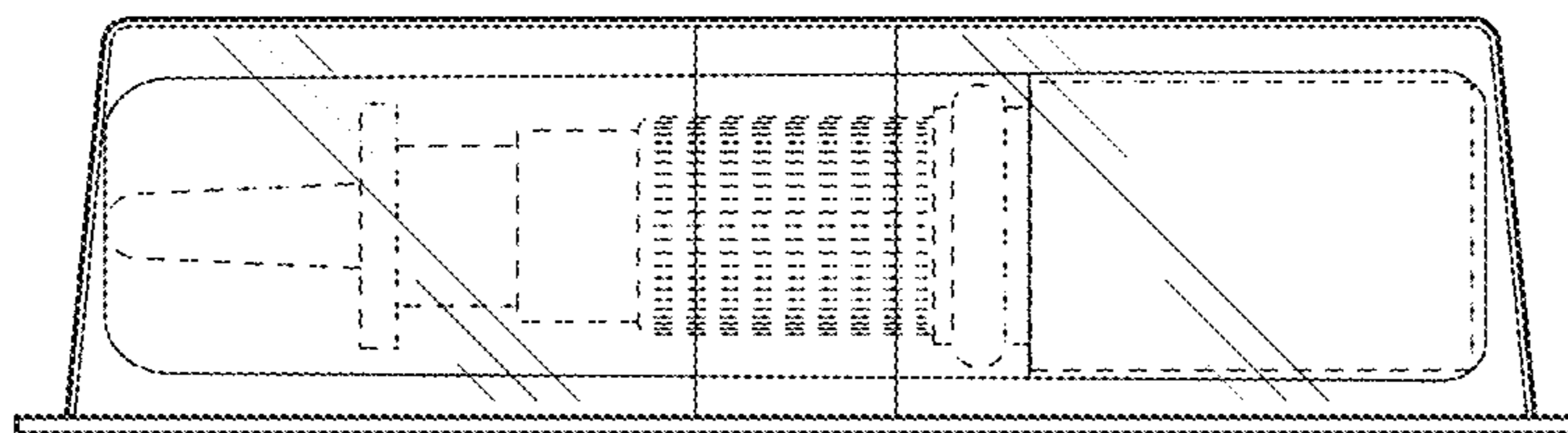


FIG. 48

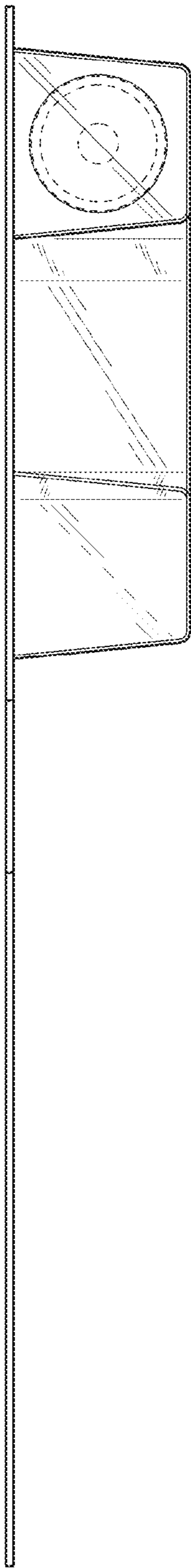


FIG. 49



FIG. 50

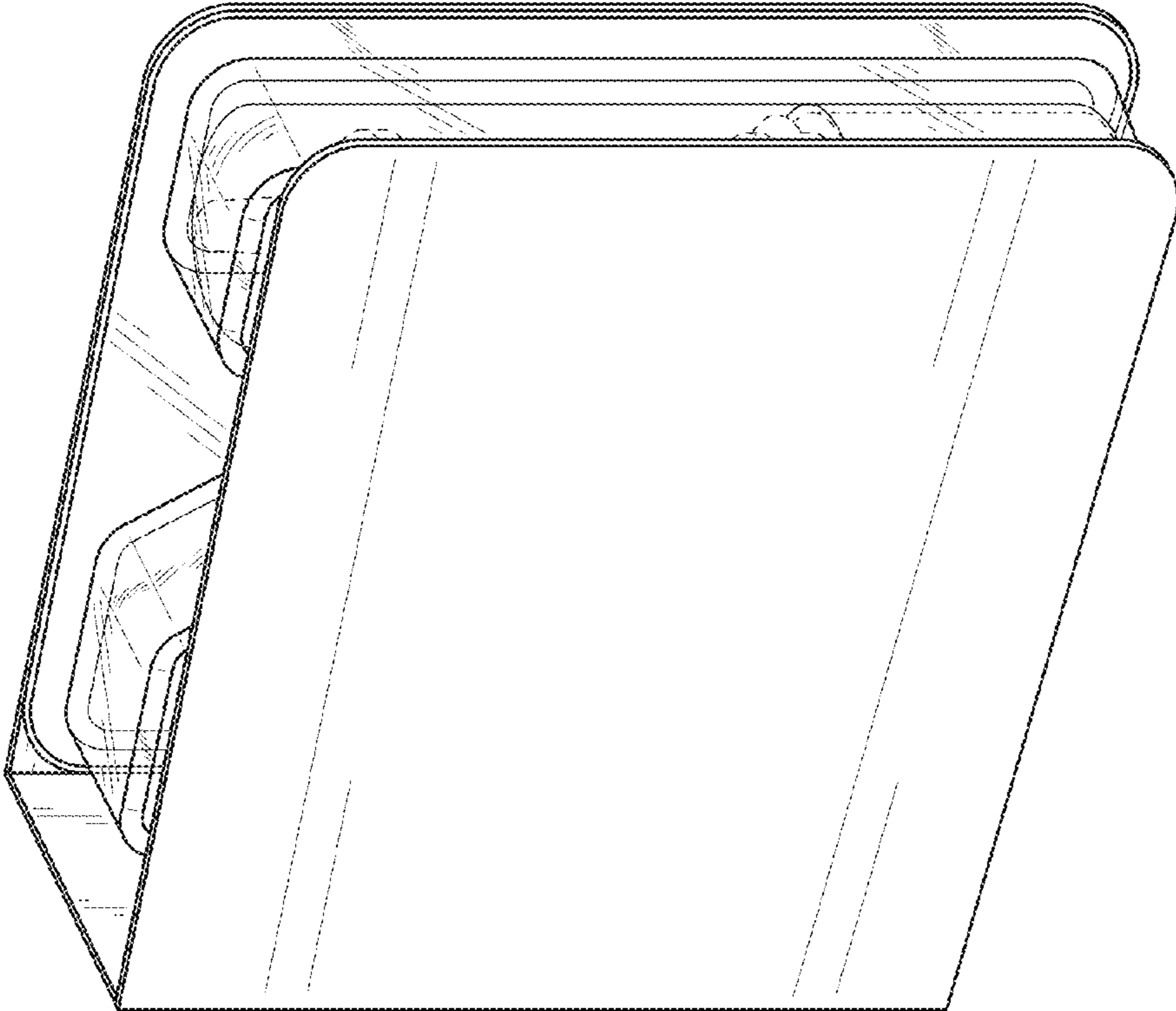


FIG. 51

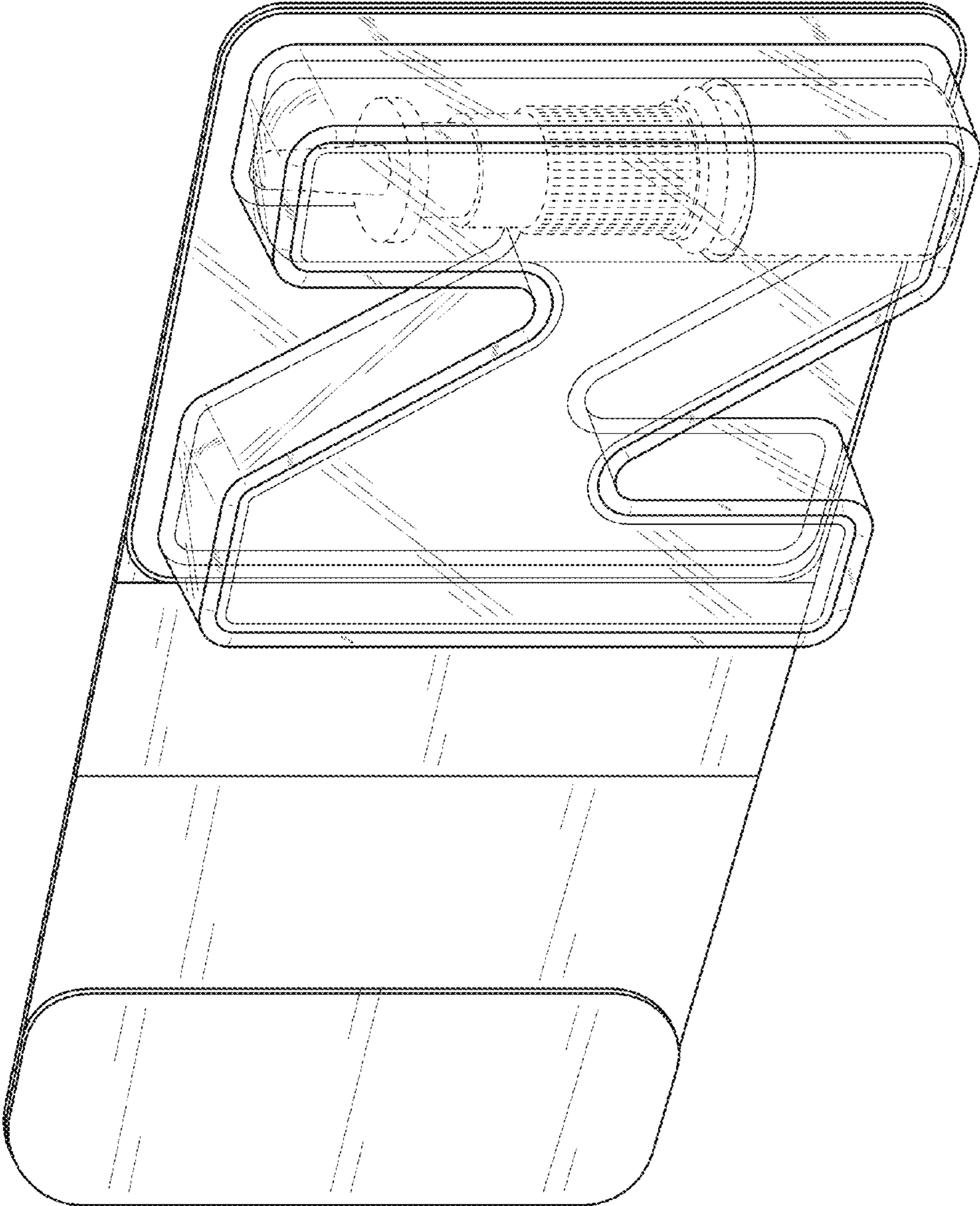


FIG. 52

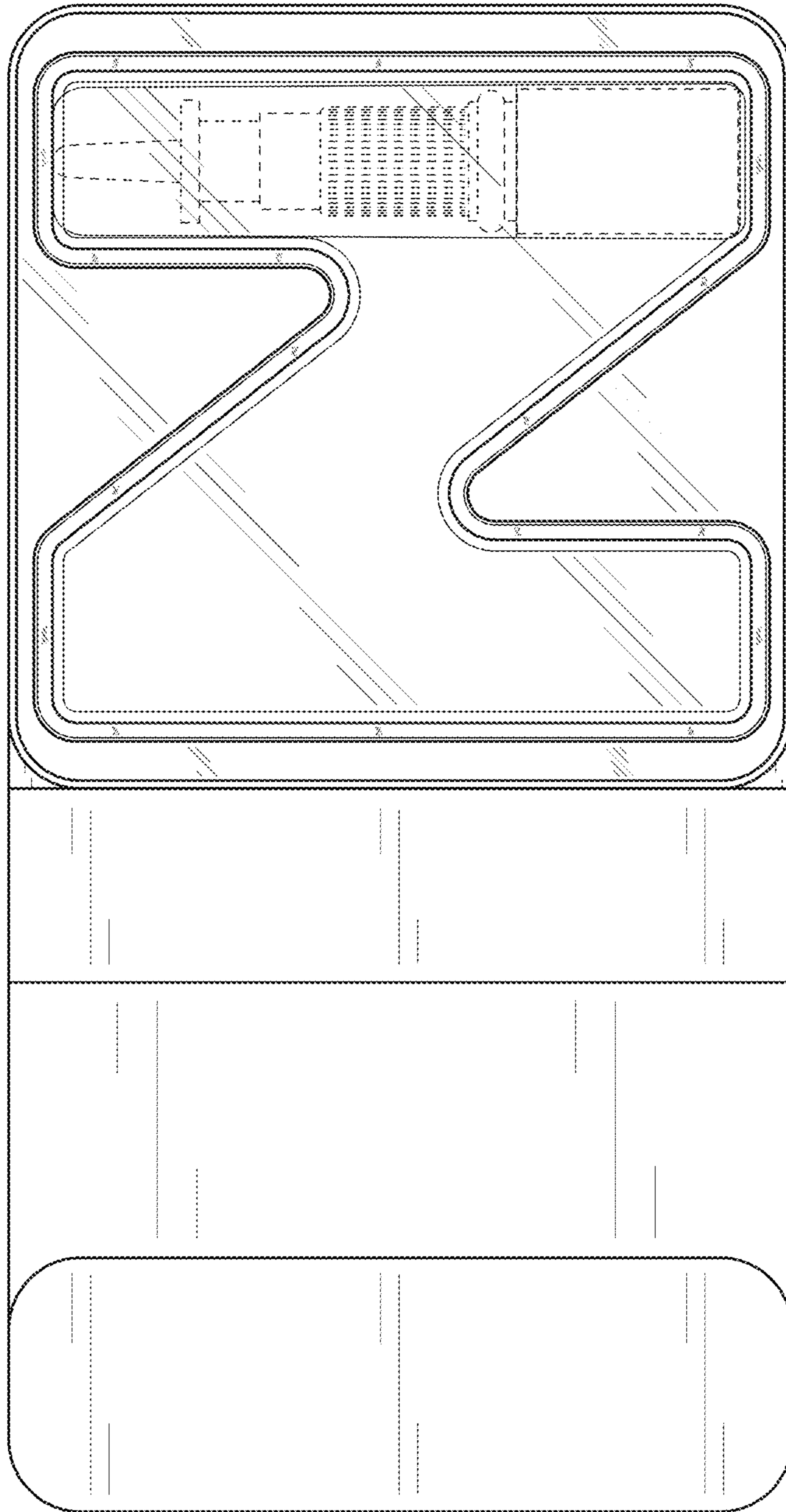


FIG. 53

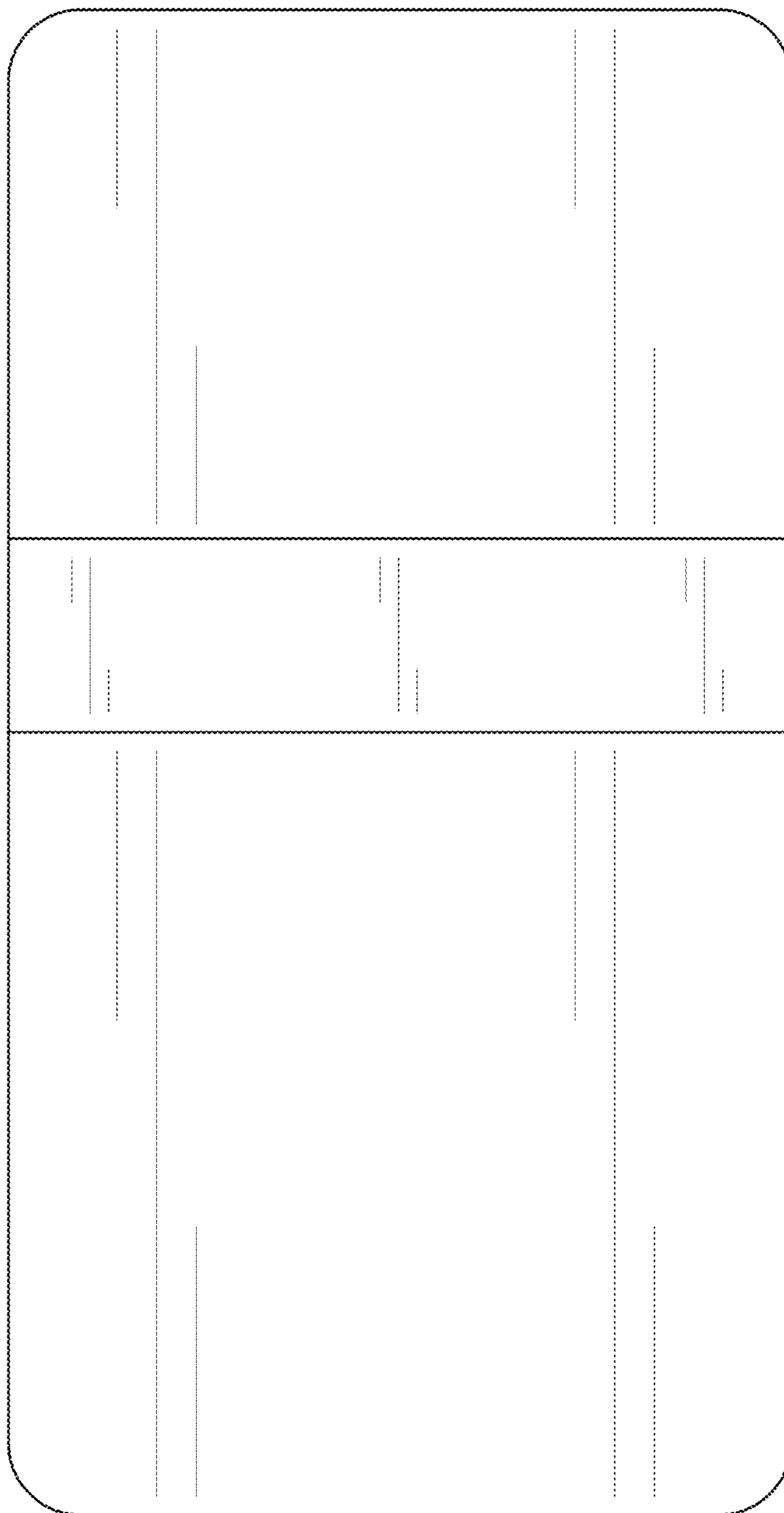


FIG. 54

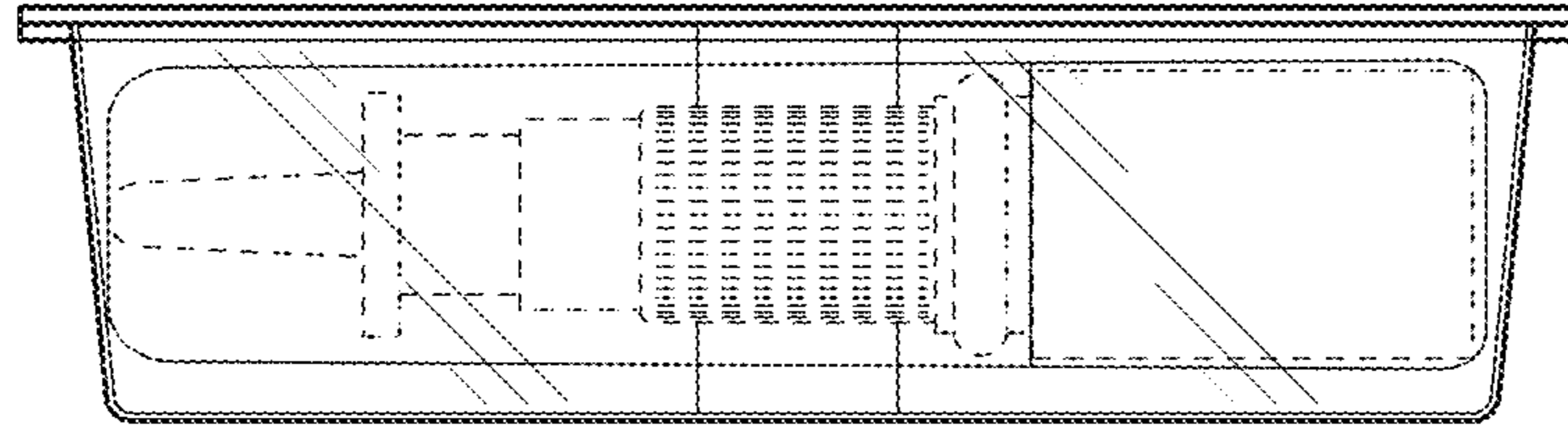


FIG. 55

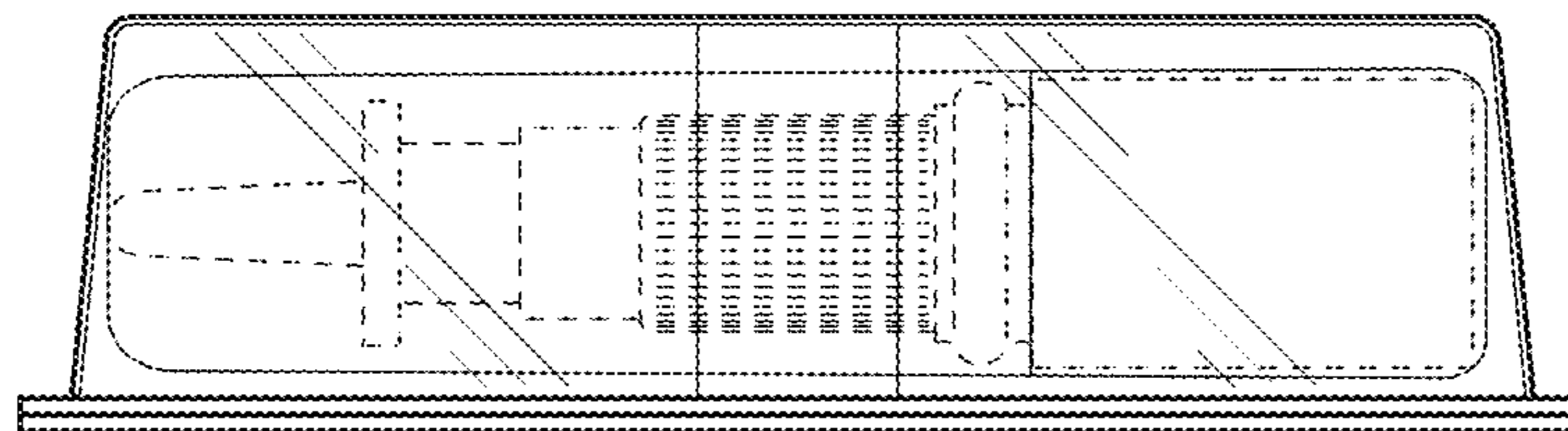


FIG. 56

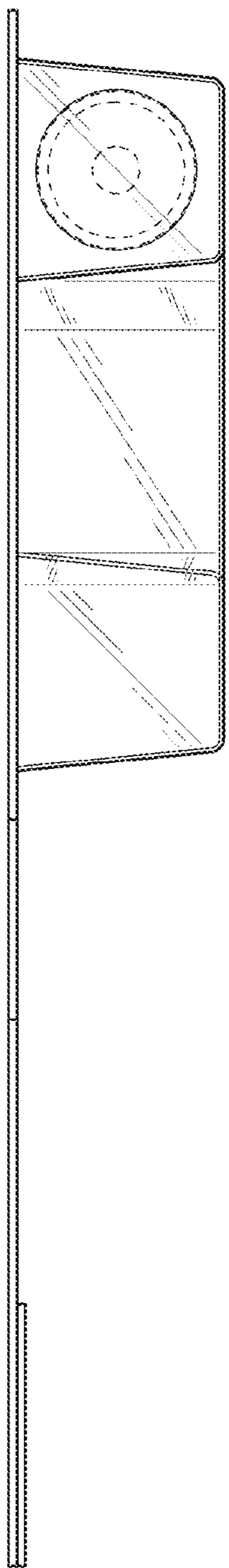


FIG. 57

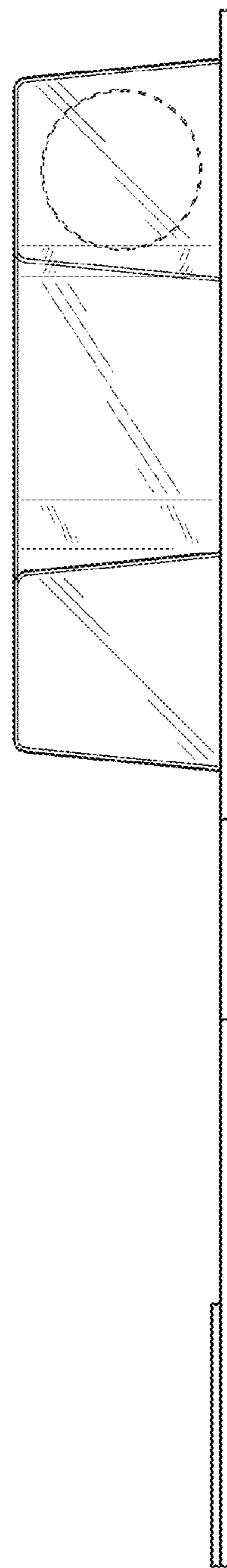


FIG. 58

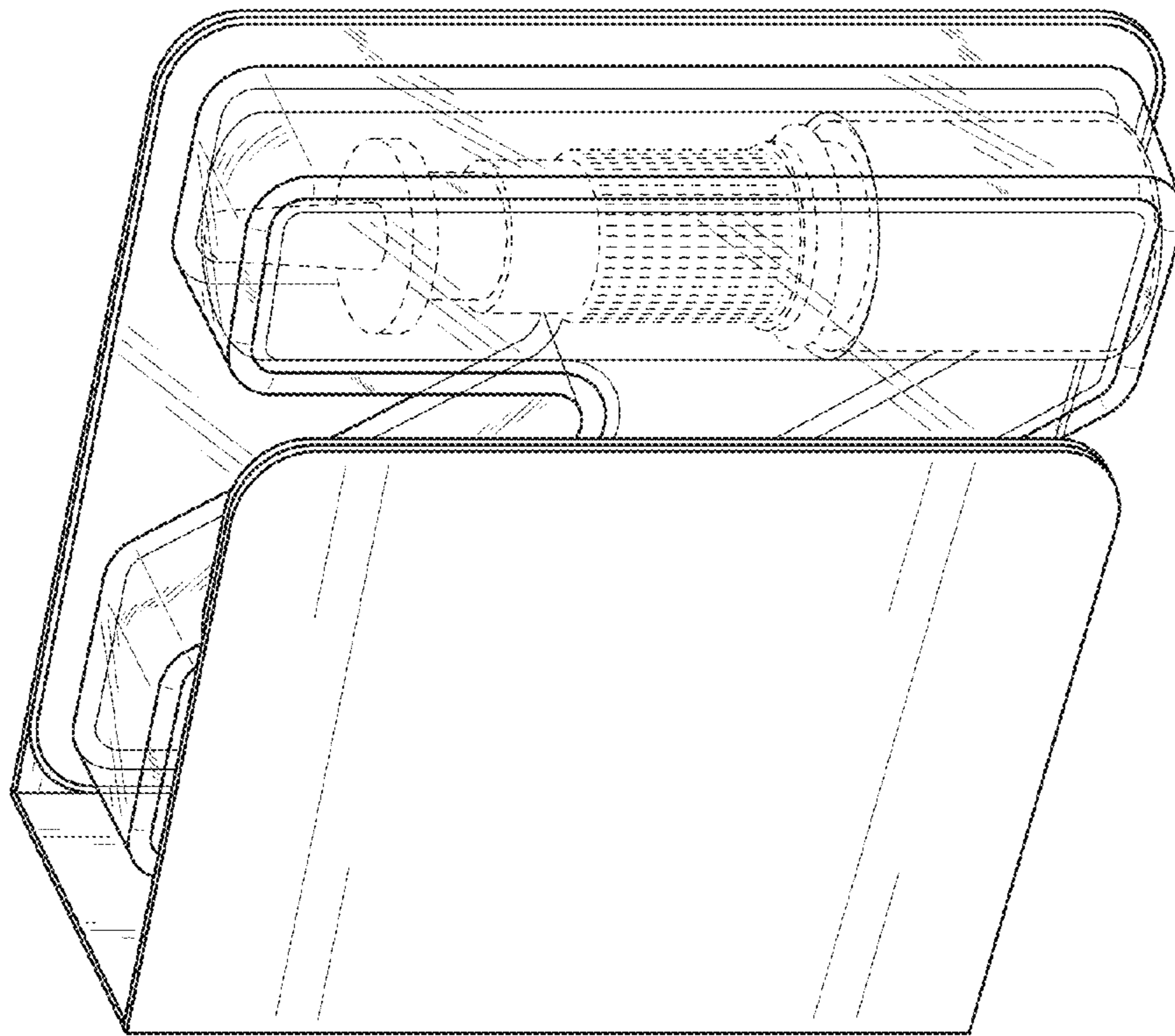


FIG. 59

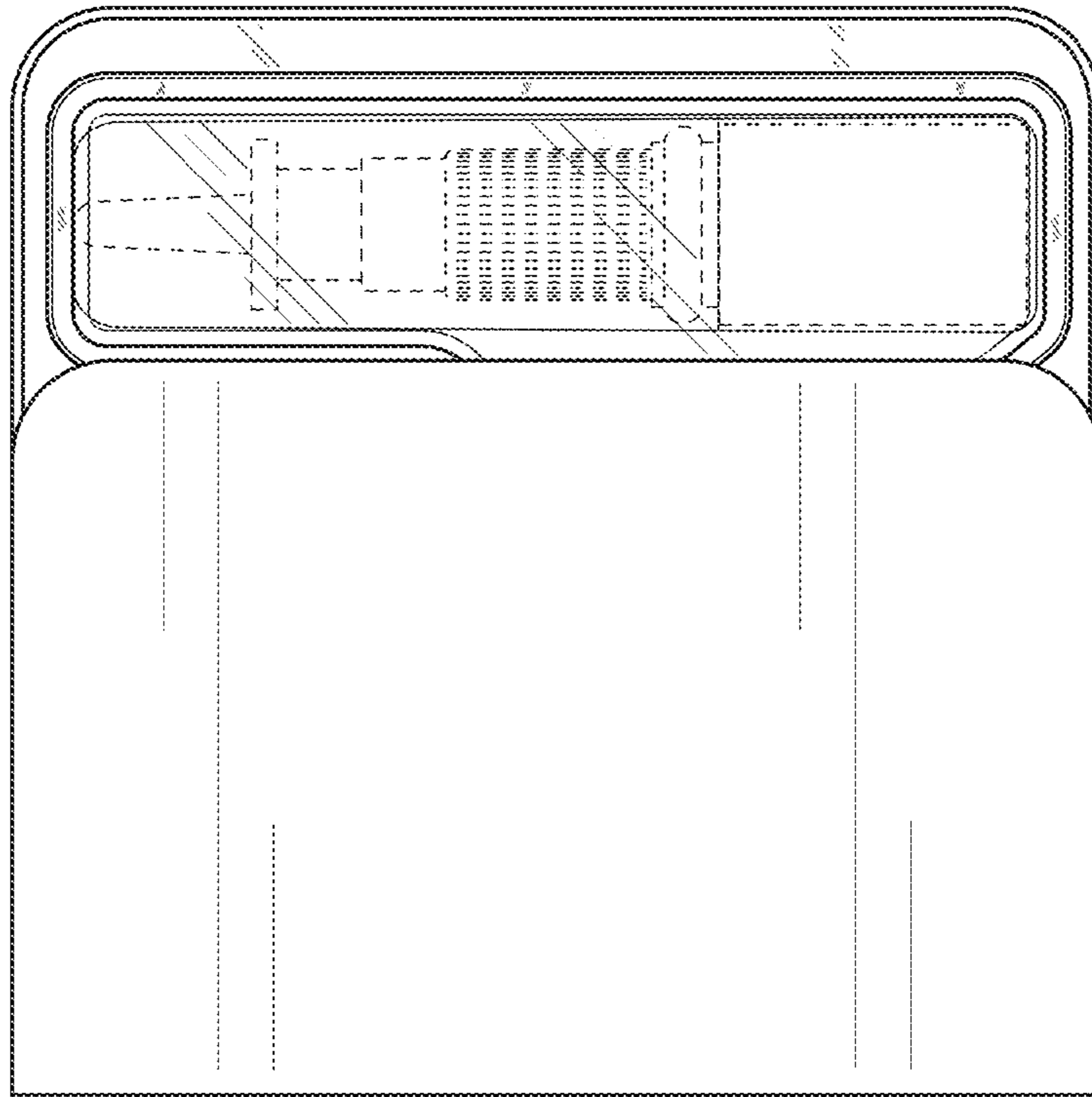


FIG. 60

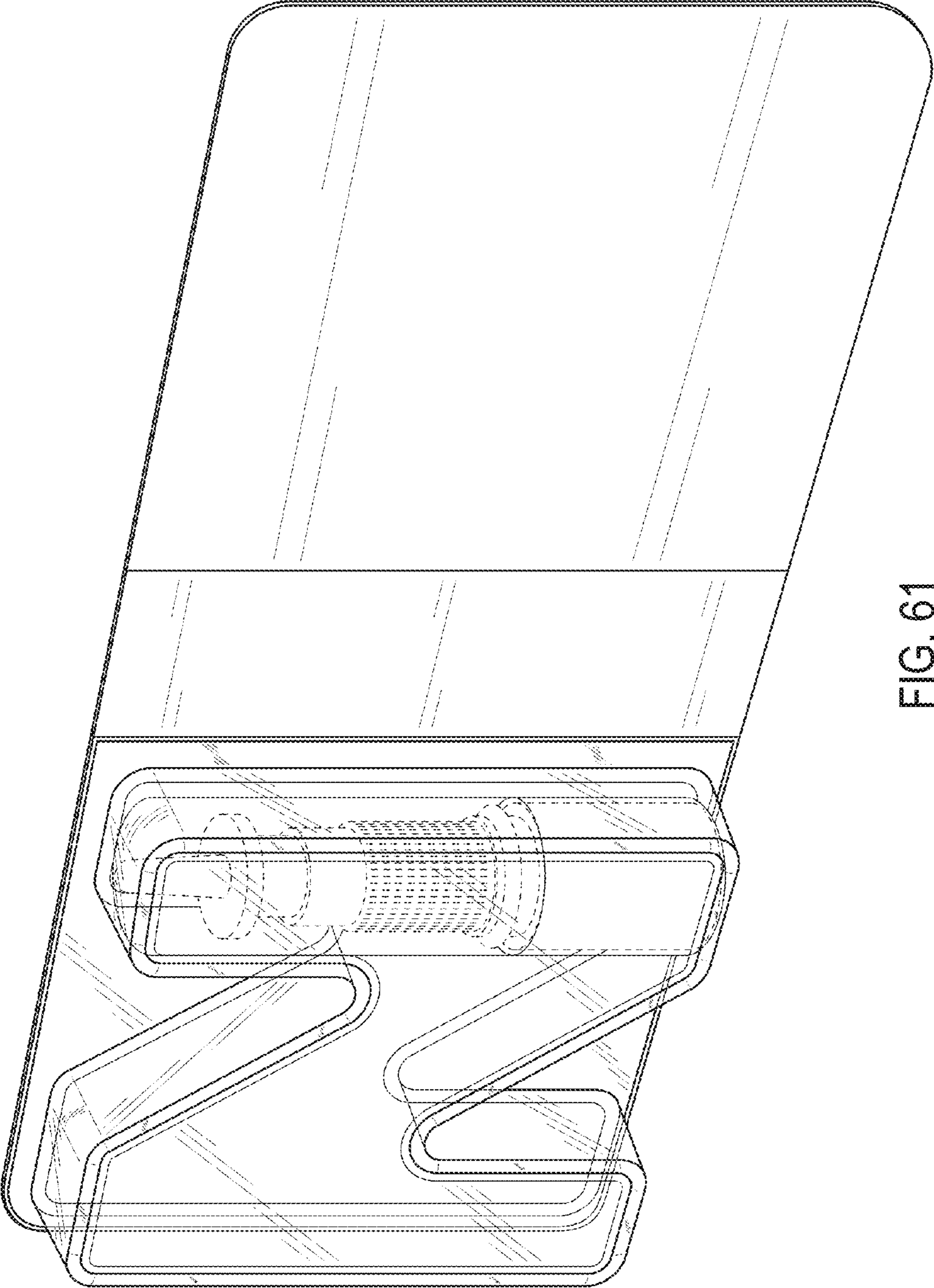


FIG. 61

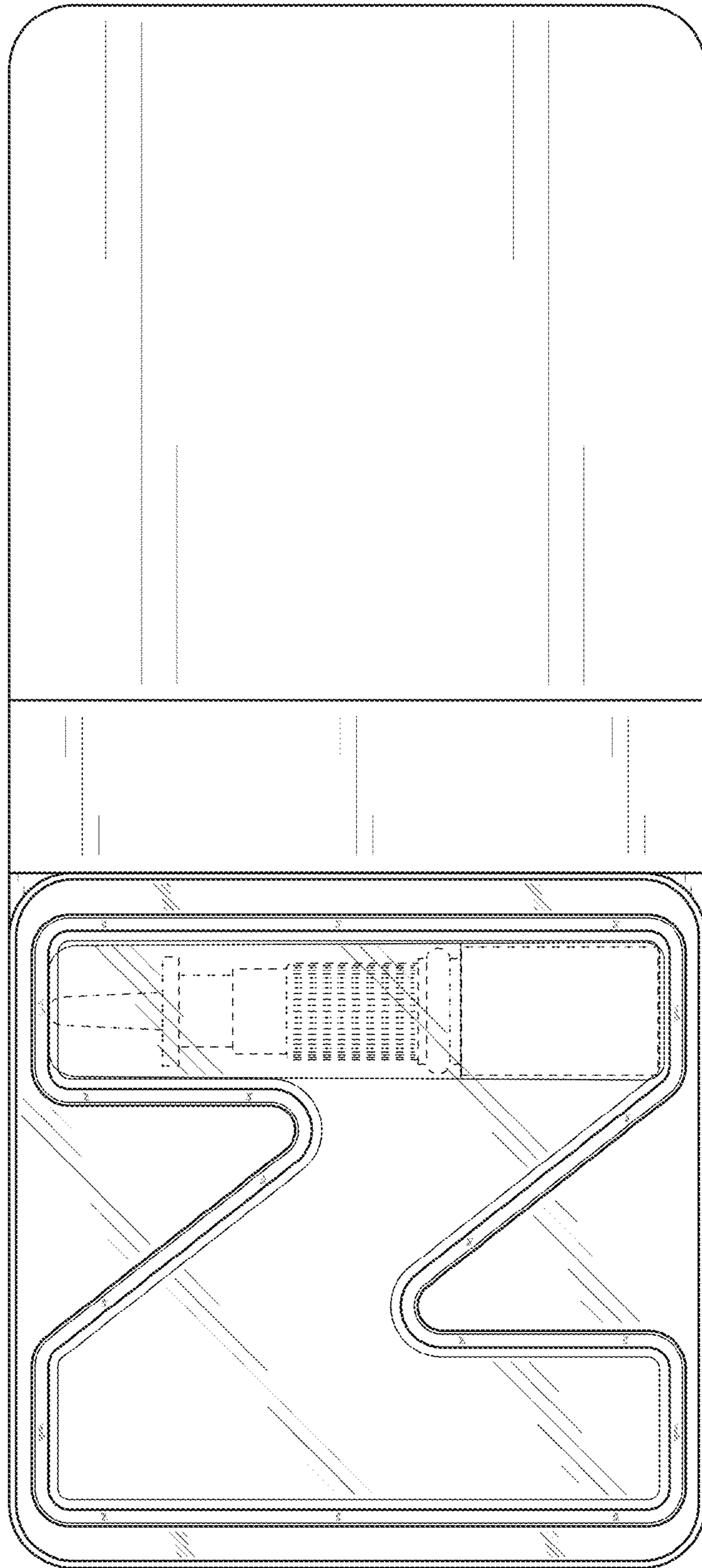


FIG. 62

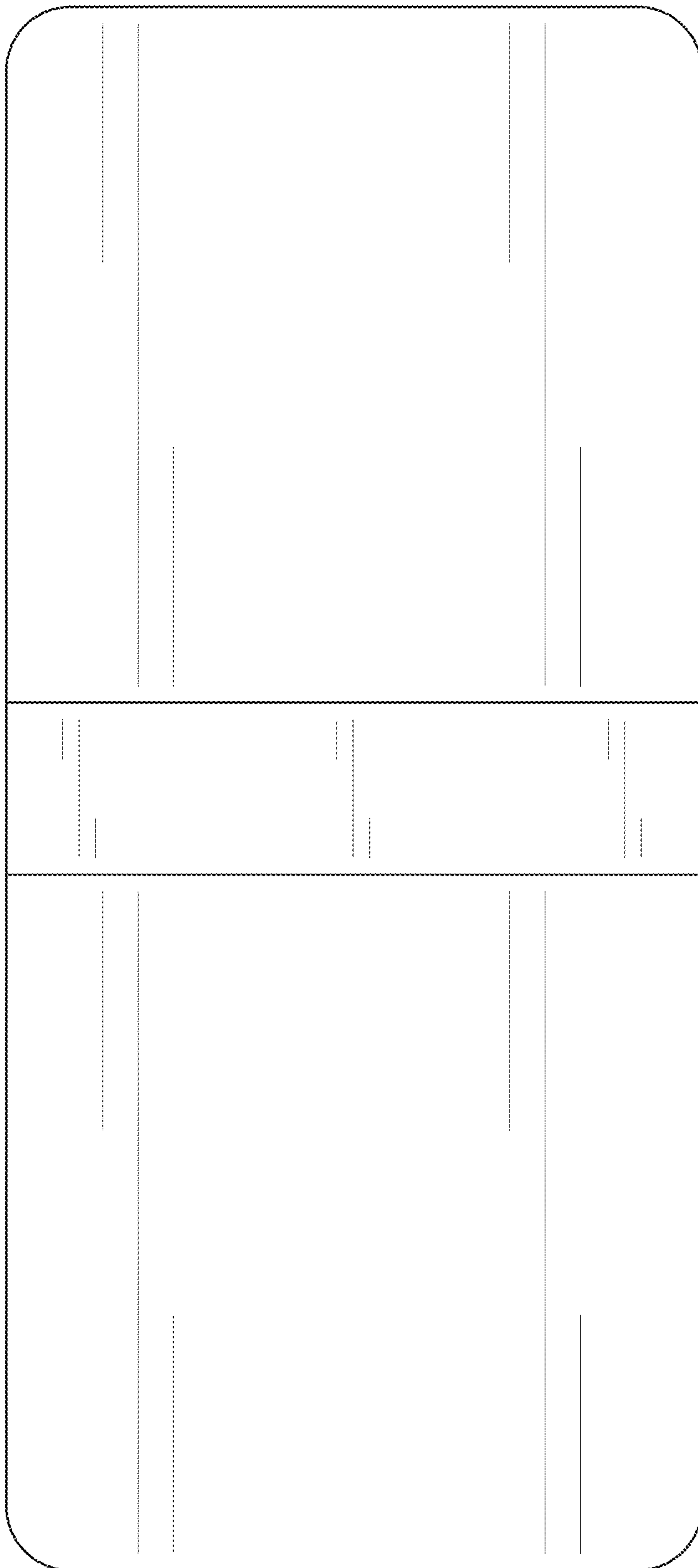


FIG. 63

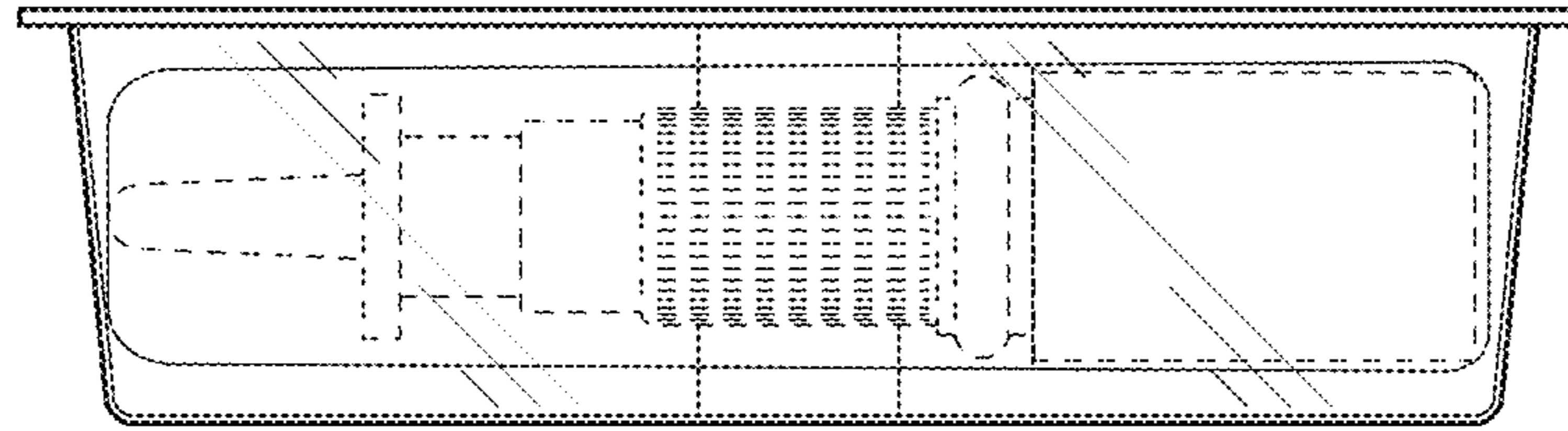


FIG. 65

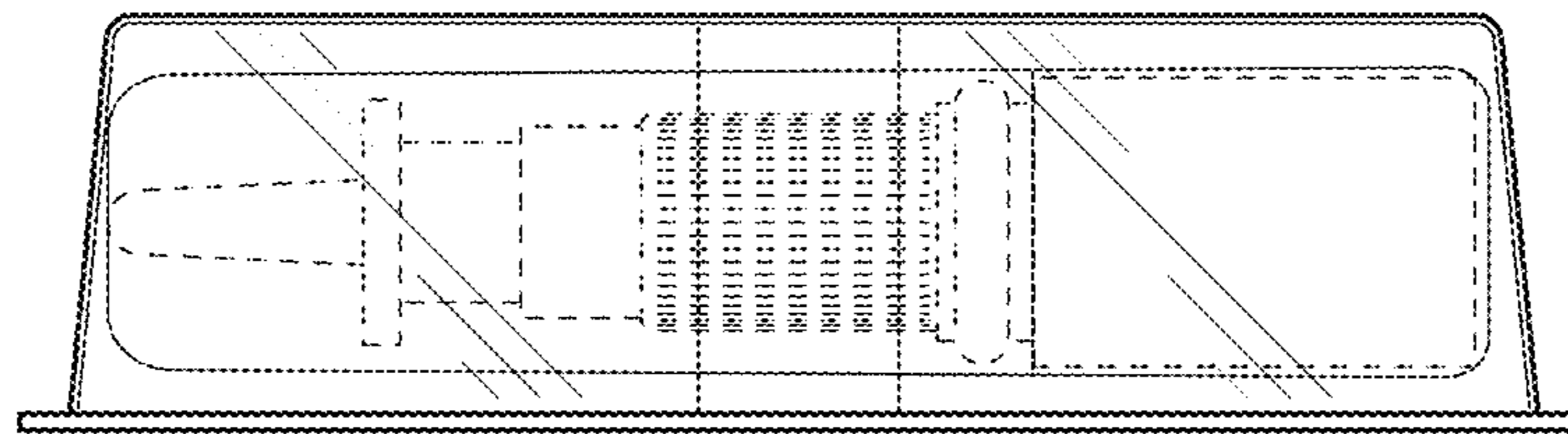


FIG. 64

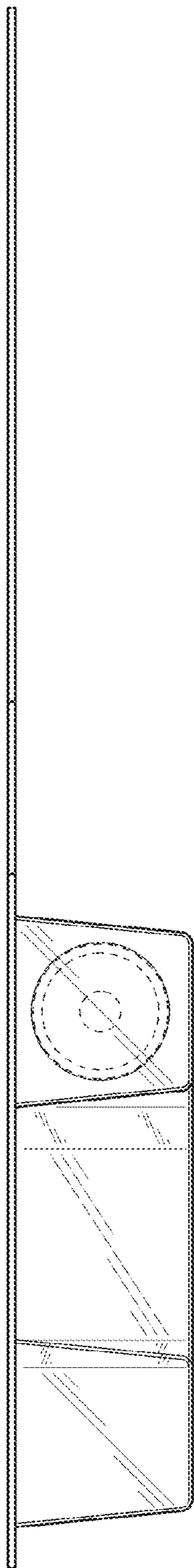


FIG. 66

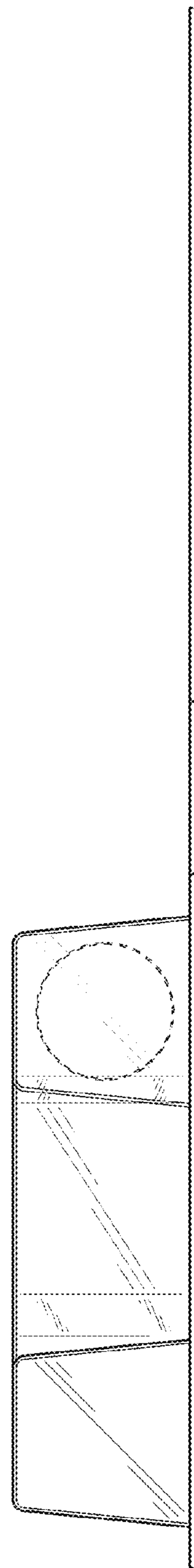


FIG. 67

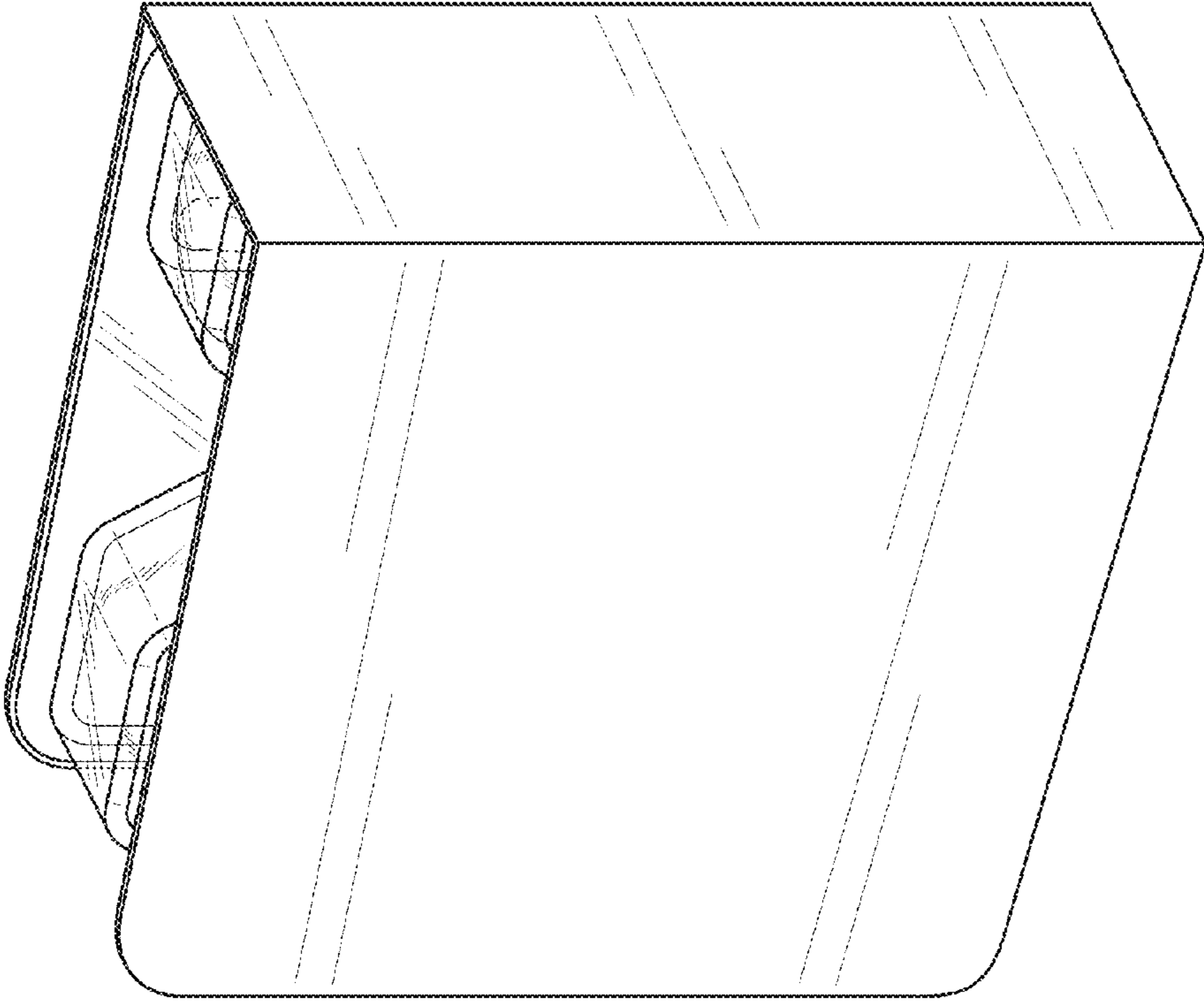


FIG. 68