



US00D703543S

(12) **United States Design Patent**
Nyikos et al.

(10) **Patent No.:** **US D703,543 S**
(45) **Date of Patent:** **** Apr. 29, 2014**

(54) **WINE BOTTLE**

(71) Applicant: **Lushious LLC**, Yorktown Heights, NY
(US)

(72) Inventors: **Amy B. Nyikos**, Yorktown Heights, NY
(US); **Janine M. Ciccone**, Stormville,
NY (US)

(73) Assignee: **Lushious LLC**, Yorktown Heights, NY
(US)

(**) Term: **14 Years**

(21) Appl. No.: **29/439,976**

(22) Filed: **Dec. 18, 2012**

(51) **LOC (10) Cl.** **09-01**

(52) **U.S. Cl.**
USPC **D9/624; D9/631**

(58) **Field of Classification Search**
USPC D7/514–515, 613, 619.2, 901; D9/600,
D9/614, 621–624, 631, 500–504, 516,
D9/544–545; 206/457, 527, 540; 220/890
See application file for complete search history.

(56) **References Cited**

U.S. PATENT DOCUMENTS

D16,181 S 7/1885 Bradley
D24,854 S * 11/1895 Selleck D9/624

D53,017 S * 2/1919 Harrell D9/624
D124,025 S * 12/1940 Brunberg D9/624
D142,999 S * 11/1945 Gilbert D9/624
D208,172 S * 7/1967 Morrison D9/624
D239,369 S * 3/1976 Bressler D9/624
D261,480 S * 10/1981 Lowenthal D9/624
D285,902 S 9/1986 Fuidio
D371,067 S * 6/1996 Schultz D9/624
D523,349 S 6/2006 Schneider
D527,275 S 8/2006 Schneider
D604,177 S 11/2009 Raoul-Duval
D647,370 S 10/2011 Van Dijk et al.

* cited by examiner

Primary Examiner — Sandra Morris

(74) *Attorney, Agent, or Firm* — Carmody Torrance Sandak
& Hennessey LLP

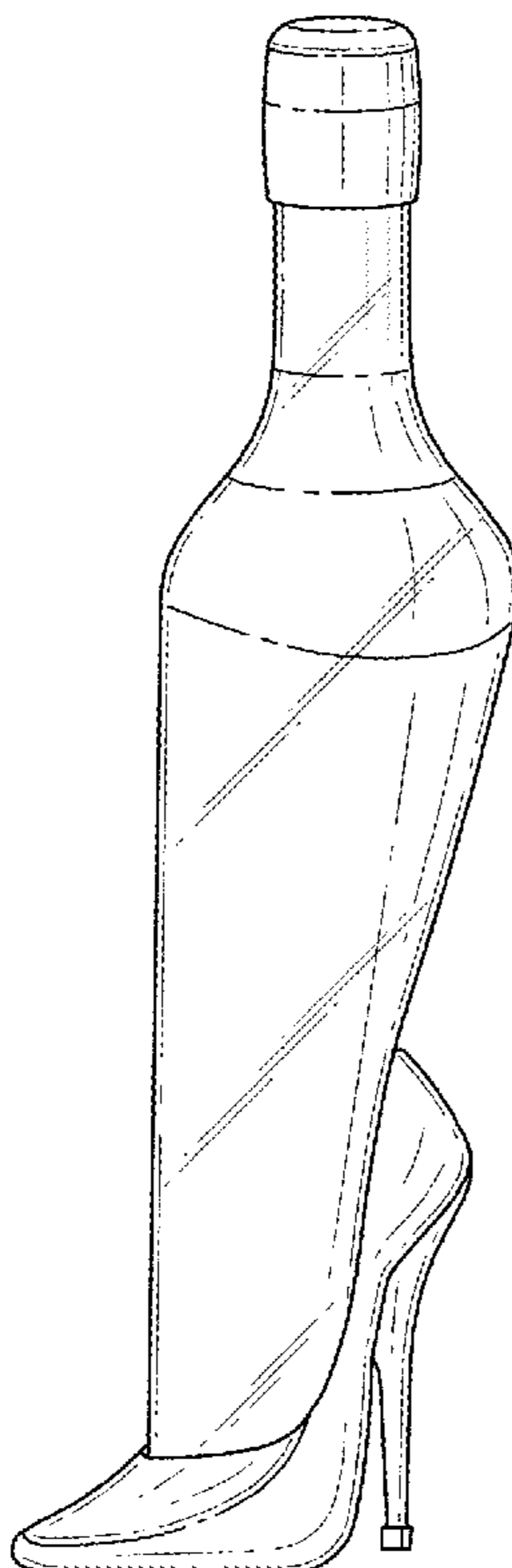
(57) **CLAIM**

The ornamental design for a wine bottle, as shown and
described.

DESCRIPTION

FIG. 1 is a perspective view of a wine bottle showing our new
design;
FIG. 2 is a right side elevational view, the left side being a
mirror image;
FIG. 3 is a front elevational view thereof;
FIG. 4 is a rear elevational view thereof;
FIG. 5 is a top plan view thereof; and,
FIG. 6 is a bottom plan view thereof.

1 Claim, 1 Drawing Sheet



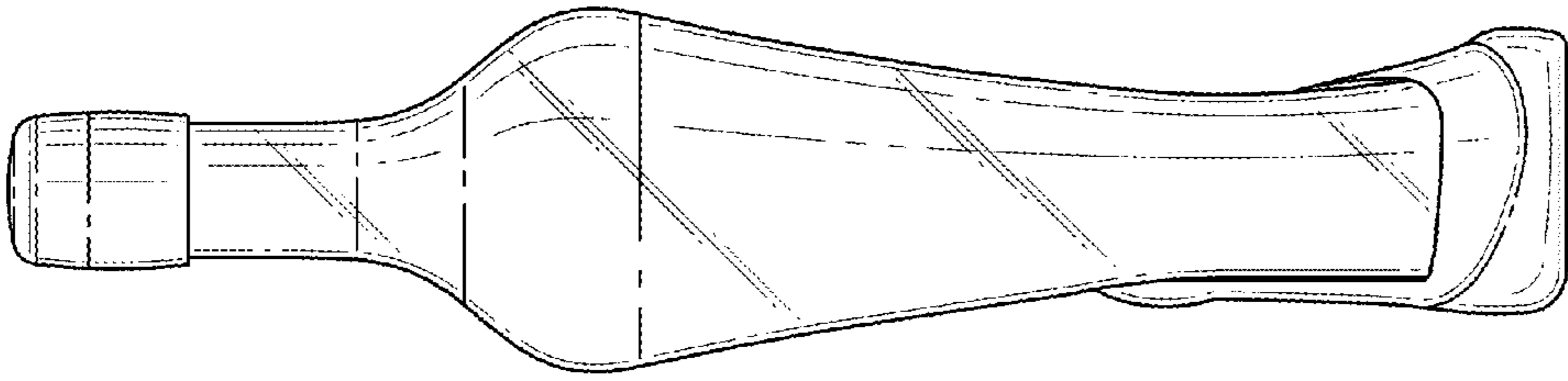


FIG. 3

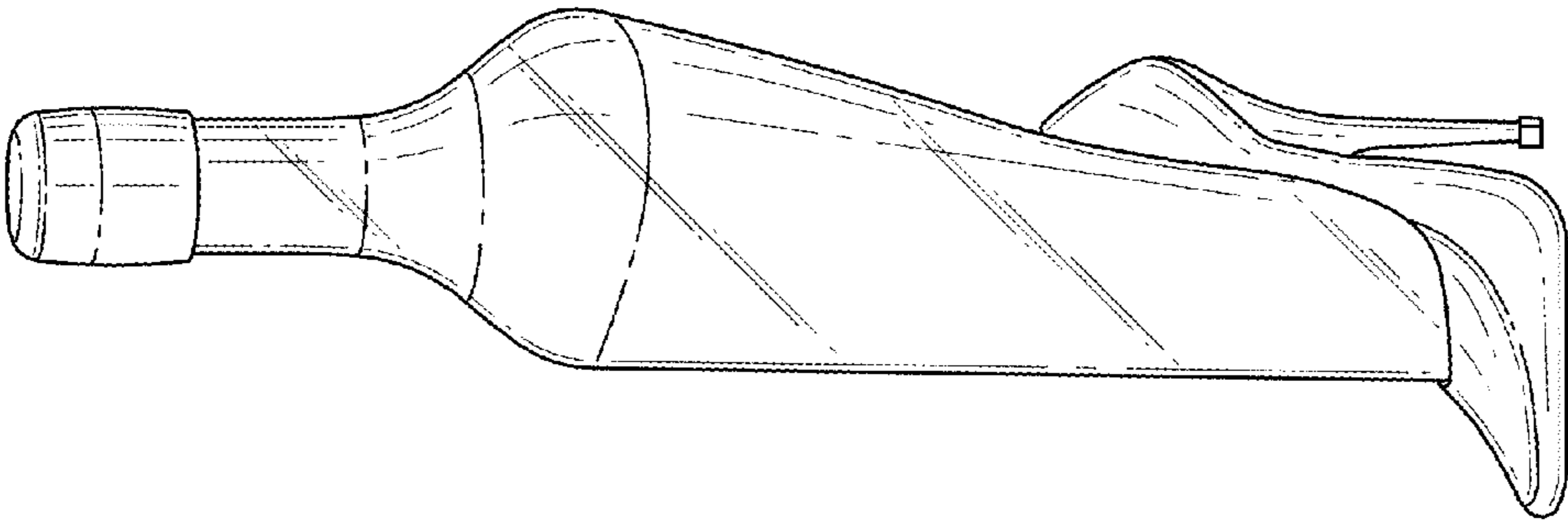


FIG. 1

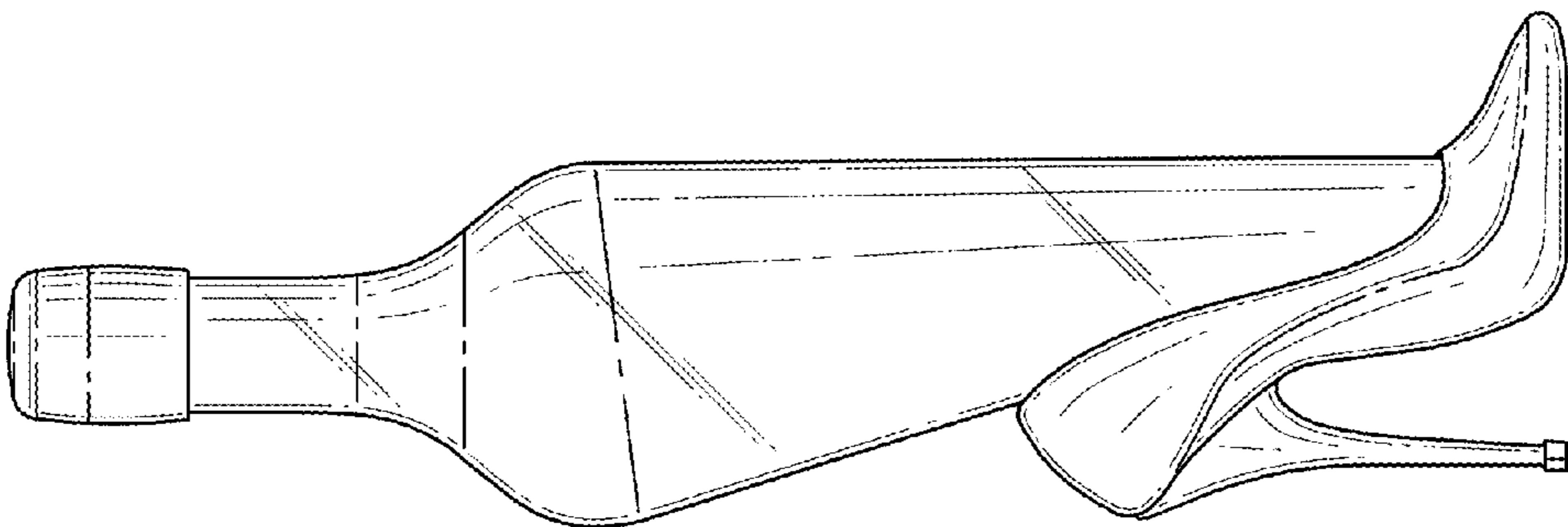


FIG. 2

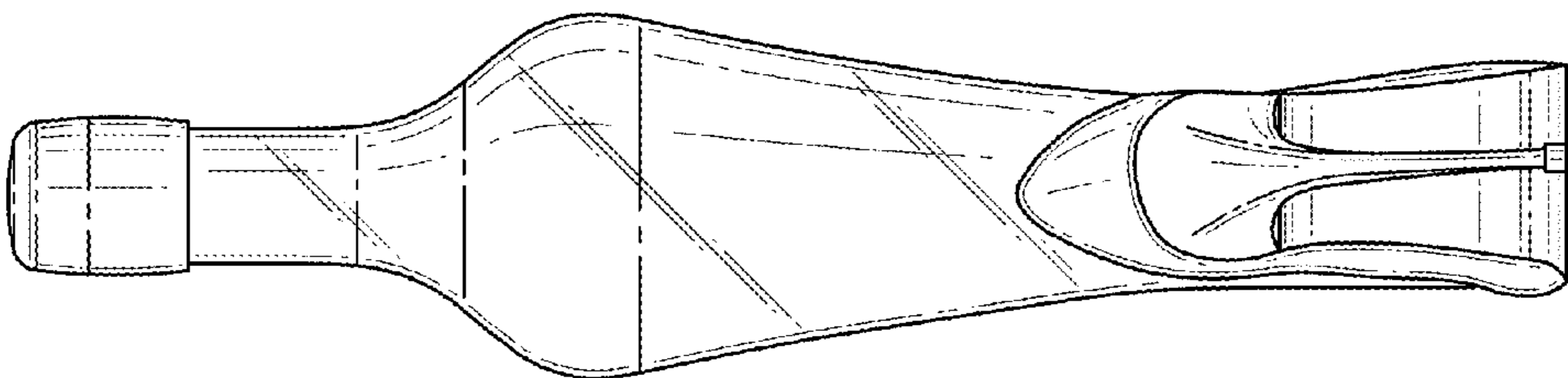


FIG. 4

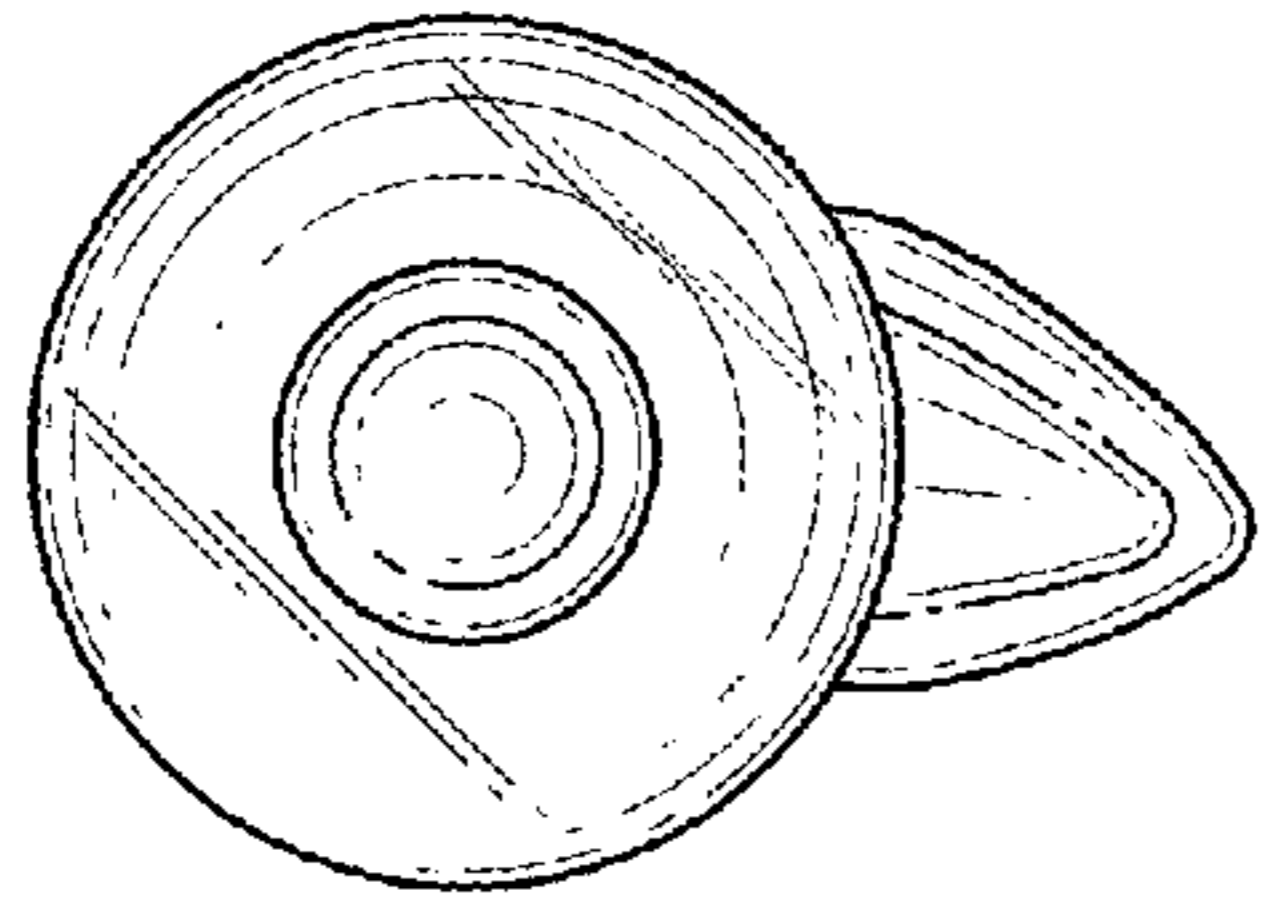


FIG. 5

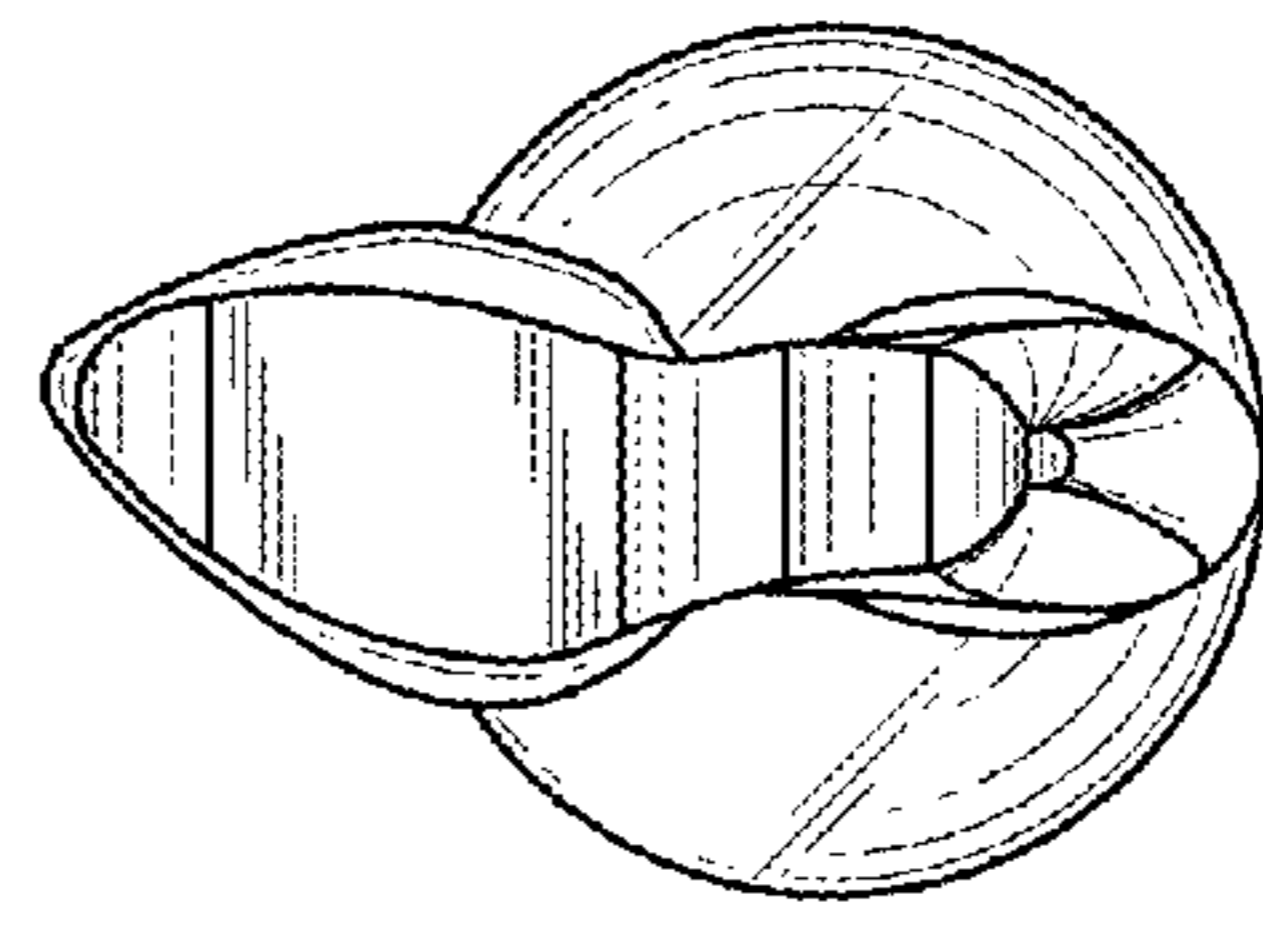


FIG. 6