



US00D703538S

(12) **United States Design Patent**
Paredes et al.

(10) **Patent No.:** **US D703,538 S**
(45) **Date of Patent:** **** Apr. 29, 2014**

- (54) **BOTTLE**
- (71) Applicant: **Owens-Brockway Glass Container Inc., Perrysburg, OH (US)**
- (72) Inventors: **Raul M Paredes, Perrysburg, OH (US); Douglas Laib, Perrysburg, OH (US); Mindy Paige, Wauseon, OH (US)**
- (73) Assignee: **Owens-Brockway Glass Container Inc., Perrysburg, OH (US)**
- (**) Term: **14 Years**
- (21) Appl. No.: **29/453,870**
- (22) Filed: **May 3, 2013**
- (51) **LOC (10) Cl.** **09-01**
- (52) **U.S. Cl.**
USPC **D9/500; D9/516; D9/539**
- (58) **Field of Classification Search**
USPC **D9/500, 502-505, 516, 537-540, 545, D9/549, 558, 682, 686, 688-691; 215/379, 215/381-384; 220/660, 669-673, 675**
See application file for complete search history.

D550,558 S	9/2007	Van Besien et al.	
D559,694 S	1/2008	Le Bras-Brown et al.	
D564,892 S	3/2008	di Robilant et al.	
D572,589 S	7/2008	Coulis et al.	
D608,642 S *	1/2010	Black	D9/500
D613,175 S	4/2010	Delbon	
D620,800 S *	8/2010	Thielman et al.	D9/516
D621,709 S *	8/2010	Minakuchi	D9/503
D633,793 S	3/2011	Reagan et al.	
D634,206 S	3/2011	Eisen	
D639,659 S	6/2011	Biondich et al.	
D642,475 S	8/2011	Crutchley et al.	
D642,926 S	8/2011	Jamieson et al.	
D644,927 S	9/2011	White et al.	
D646,977 S	10/2011	Martin	
D647,405 S	10/2011	Lauret	
D652,723 S	1/2012	Reisig	
D655,610 S *	3/2012	Rice et al.	D9/529
D658,995 S	5/2012	Potts	
D663,625 S	7/2012	Warneke et al.	
D664,439 S *	7/2012	Malm	D9/540
D666,914 S	9/2012	Elstow et al.	
D667,729 S	9/2012	Nutley et al.	
D676,327 S *	2/2013	Rice et al.	D9/529
D676,751 S *	2/2013	Coyne et al.	D9/500

* cited by examiner

Primary Examiner — Ian Simmons
Assistant Examiner — Dana L Meyrow

(56) **References Cited**
U.S. PATENT DOCUMENTS

D52,423 S	9/1918	Anderson	
D58,203 S	6/1921	Anderson	
D85,233 S	9/1931	Fuerst	
D131,470 S	3/1942	Key	
D193,032 S	6/1962	Waser	
D231,087 S *	4/1974	Edwards	D9/503
3,823,032 A	7/1974	Ukai	
D272,990 S	3/1984	Strand	
5,158,190 A	10/1992	Sosenko	
D419,452 S	1/2000	DeVore	
D430,803 S	9/2000	Reis et al.	
D434,669 S	12/2000	Albright et al.	
D510,270 S *	10/2005	Khalifa	D9/503
D528,000 S	9/2006	Davis et al.	
D531,903 S	11/2006	Haubein	
D536,616 S	2/2007	Rubin et al.	
D538,658 S *	3/2007	Horne et al.	D9/502
D545,194 S *	6/2007	Goudsblom	D9/502

(57) **CLAIM**
We claim an ornamental design for a bottle, as shown and described.

DESCRIPTION

FIG. 1 is a front elevational view of a bottle in accordance with a first illustrative embodiment of our new design. FIG. 2 is a perspective view of the bottle in FIG. 1. FIG. 3 is a top plan view of the bottle in FIGS. 1 and 2, the bottle neck forming no part of the claimed design. FIG. 4 is a front elevational view of a bottle in accordance with a second illustrative embodiment of our new design. FIG. 5 is a perspective view of the bottle in FIG. 4. FIG. 6 is a top plan view of the bottle in FIGS. 4 and 5, the bottle neck forming no part of the claimed design. FIG. 7 is a front elevational view of a bottle in accordance with a third illustrative embodiment of our new design.

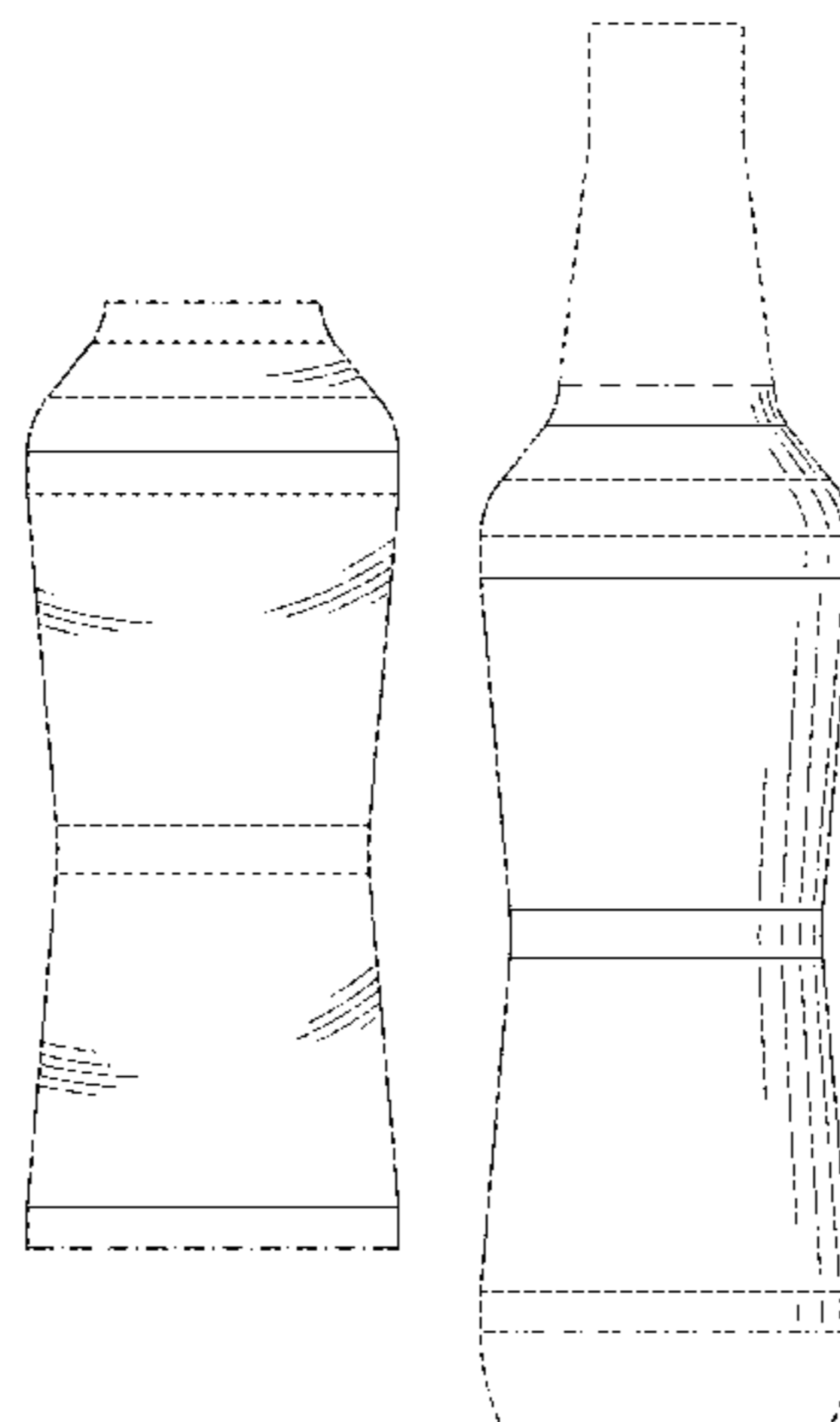


FIG. 8 is a perspective view of the bottle in FIG. 7.
FIG. 9 is a top plan view of the bottle in FIGS. 7 and 8.
FIG. 10 is a bottom plan view of the bottle in FIGS. 7-9, the bottle bottom forming no part of the claimed design.
FIG. 11 is a front elevational view of a bottle in accordance with a fourth illustrative embodiment of our new design.
FIG. 12 is a perspective view of the bottle in FIG. 11.
FIG. 13 is a top plan view of the bottle in FIGS. 11 and 12.
FIG. 14 is a bottom plan view of the bottle in FIGS. 11-13, the bottle bottom forming no part of the claimed design.
FIG. 15 is a front elevational view of a bottle in accordance with a fifth illustrative embodiment of our new design.
FIG. 16 is a perspective view of the bottle in FIG. 15.
FIG. 17 is a top plan view of the bottle in FIGS. 15 and 16, the bottle neck forming no part of the claimed design.
FIG. 18 is a front elevational view of a bottle in accordance with a sixth illustrative embodiment of our new design.
FIG. 19 is a perspective view of the bottle in FIG. 18.
FIG. 20 is a top plan view of the bottle in FIGS. 18 and 19, the bottle neck forming no part of the claimed design.
FIG. 21 is a front elevational view of a bottle in accordance with a seventh illustrative embodiment of our new design.
FIG. 22 is a perspective view of the bottle in FIG. 21.
FIG. 23 is a top plan view of the bottle in FIGS. 21 and 22.
FIG. 24 is a bottom plan view of the bottle in FIGS. 21-23, the bottle bottom forming no part of the claimed design.
FIG. 25 is a front elevational view of a bottle in accordance with an eighth illustrative embodiment of our new design.
FIG. 26 is a perspective view of the bottle in FIG. 25.
FIG. 27 is a top plan view of the bottle in FIGS. 25 and 26.
FIG. 28 is a bottom plan view of the bottle in FIGS. 25-27, the bottle bottom forming no part of the claimed design.
FIG. 29 is a front elevational view of a bottle in accordance with a ninth illustrative embodiment of our new design.
FIG. 30 is a perspective view of the bottle in FIG. 29.

FIG. 31 is a top plan view of the bottle in FIGS. 29 and 30, the bottle neck forming no part of the claimed design.
FIG. 32 is a front elevational view of a bottle in accordance with a tenth illustrative embodiment of our new design.
FIG. 33 is a perspective view of the bottle in FIG. 32.
FIG. 34 is a top plan view of the bottle in FIGS. 32 and 33, the bottle neck forming no part of the claimed design.
FIG. 35 is a front elevational view of a bottle in accordance with an eleventh illustrative embodiment of our new design.
FIG. 36 is a perspective view of the bottle in FIG. 35.
FIG. 37 is a top plan view of the bottle in FIGS. 35 and 36.
FIG. 38 is a bottom plan view of the bottle in FIGS. 35-37, the bottle bottom forming no part of the claimed design.
FIG. 39 is a front elevational view of a bottle in accordance with a twelfth illustrative embodiment of our new design.
FIG. 40 is a perspective view of the bottle in FIG. 39.
FIG. 41 is a top plan view of the bottle in FIGS. 39 and 40; and,
FIG. 42 is a bottom plan view of the bottle in FIGS. 39-41, the bottle bottom forming no part of the claimed design.
Dash-dash-dash broken lines shown in the drawings represent environmental structure and are not part of the claimed design.
Dash-dot-dash broken lines shown in the drawings represent boundaries of the claimed design and are not part of the claimed design.
Shading lines shown in the drawings represent surface contours, and/or translucency or opacity, and such lines are not part of the claimed design.
Portions of the bottle not shown in the drawings form no part of the claimed design.

1 Claim, 12 Drawing Sheets

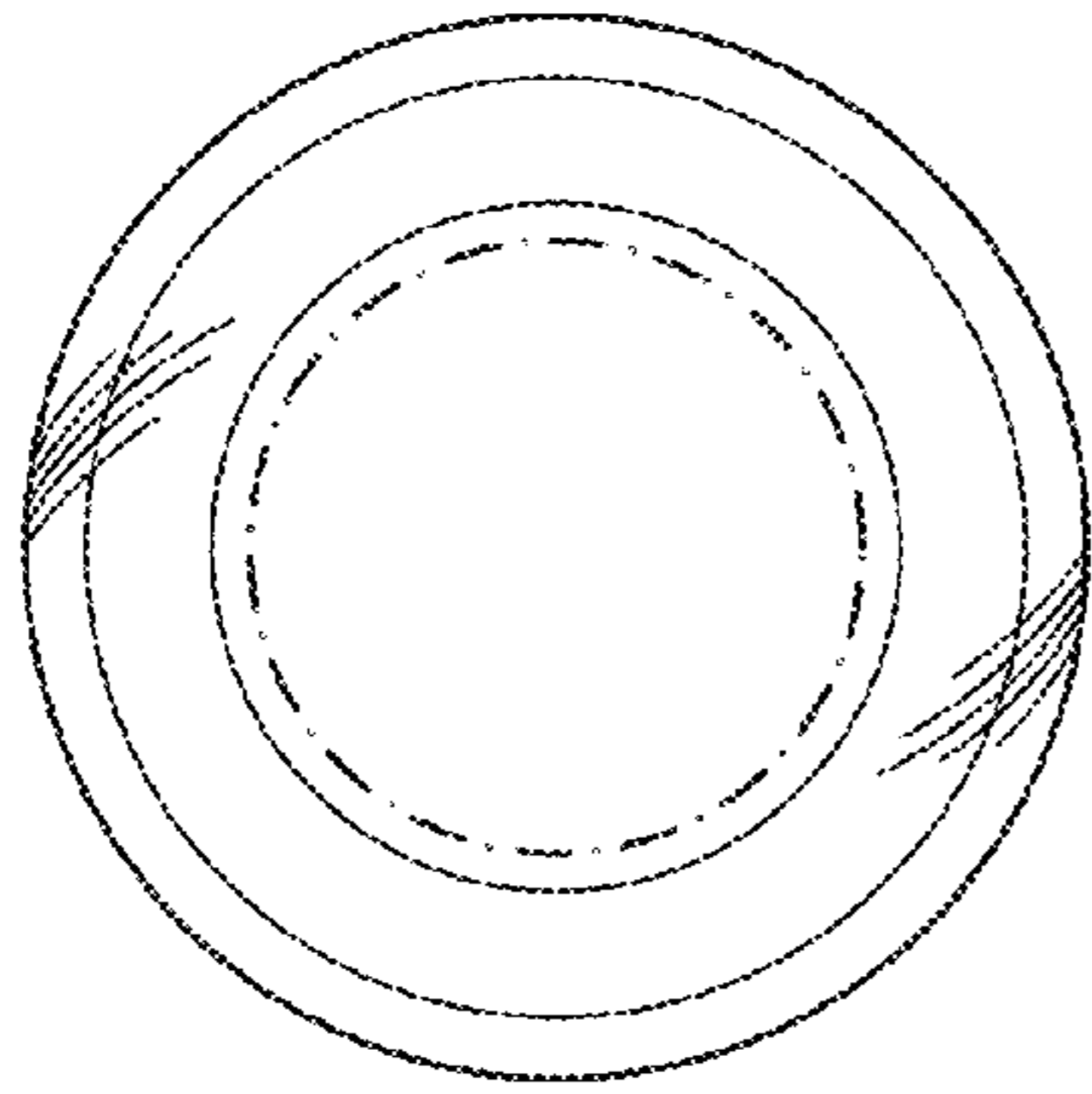


FIG. 3

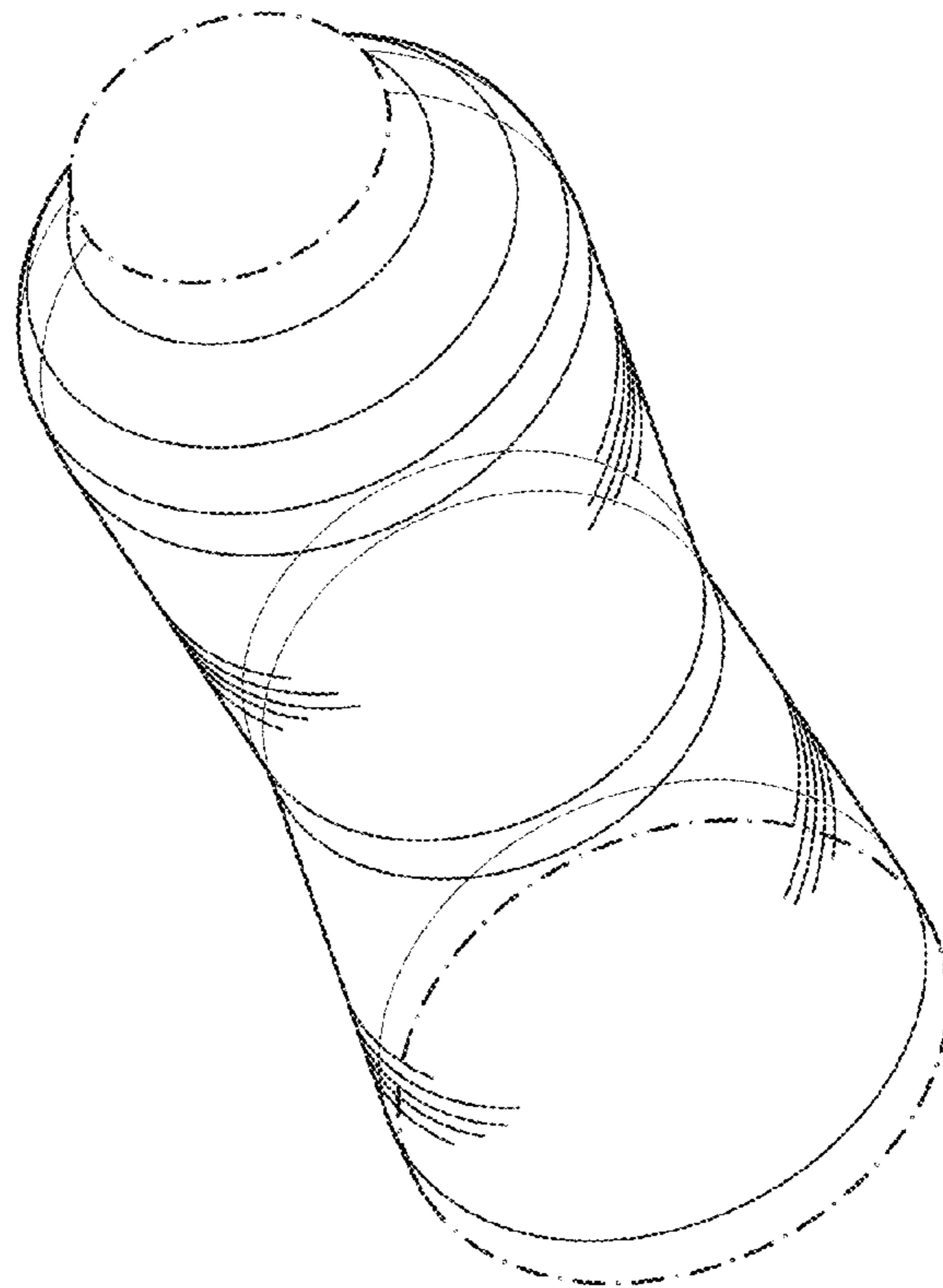


FIG. 2

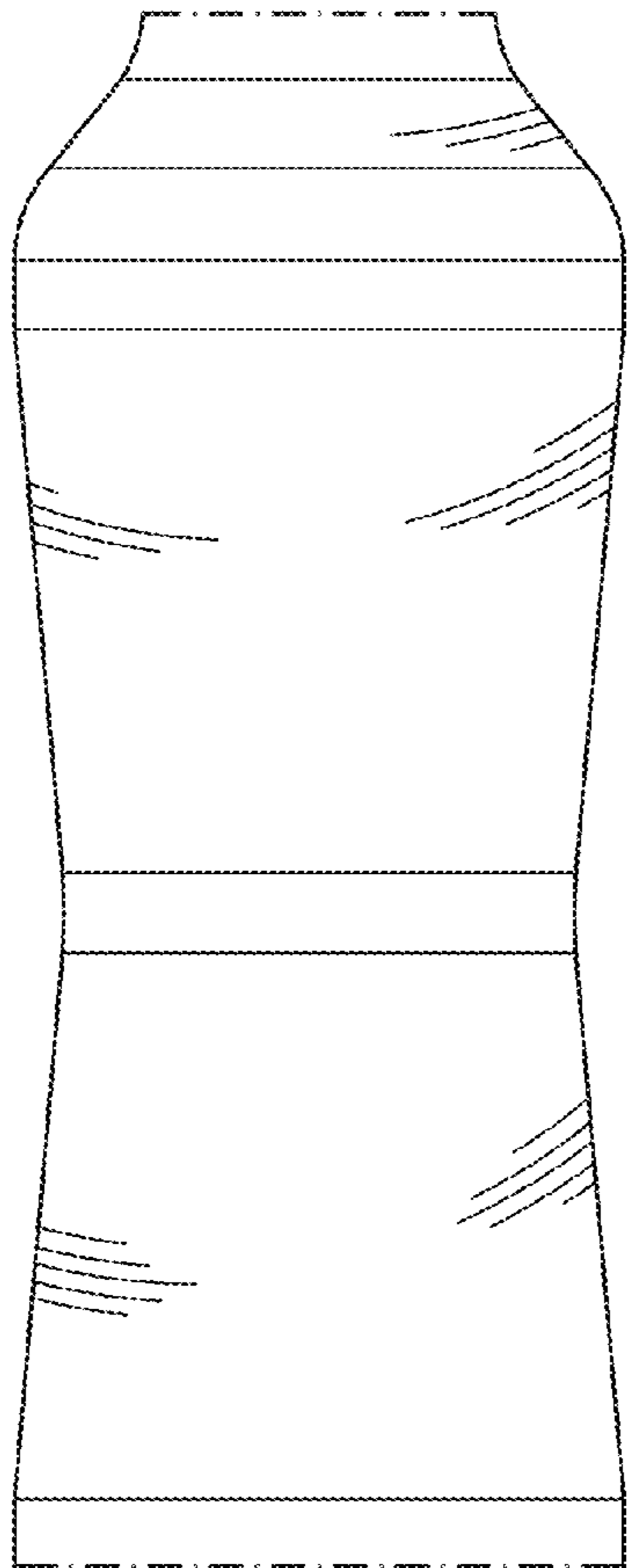


FIG. 1

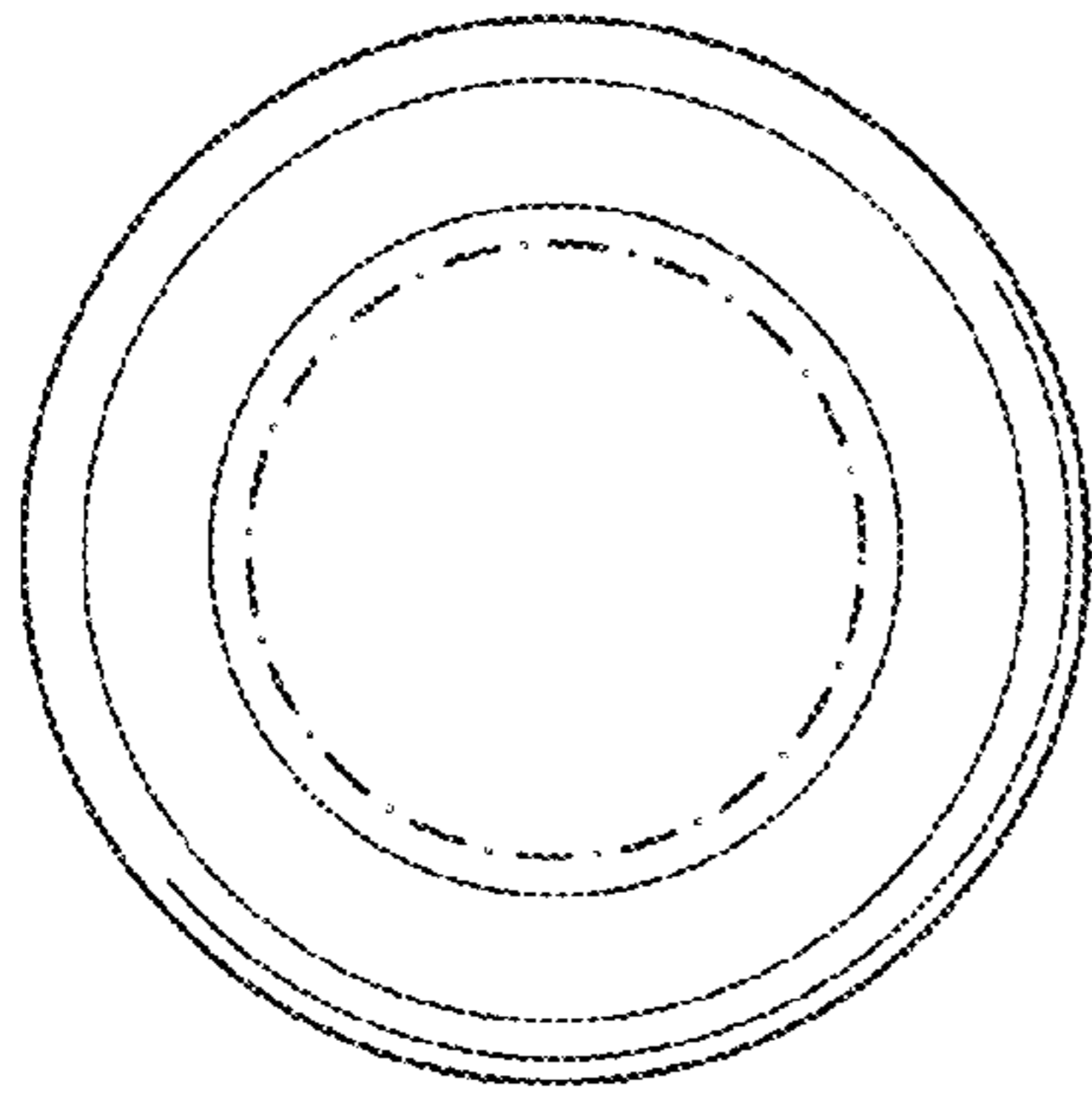


FIG. 6

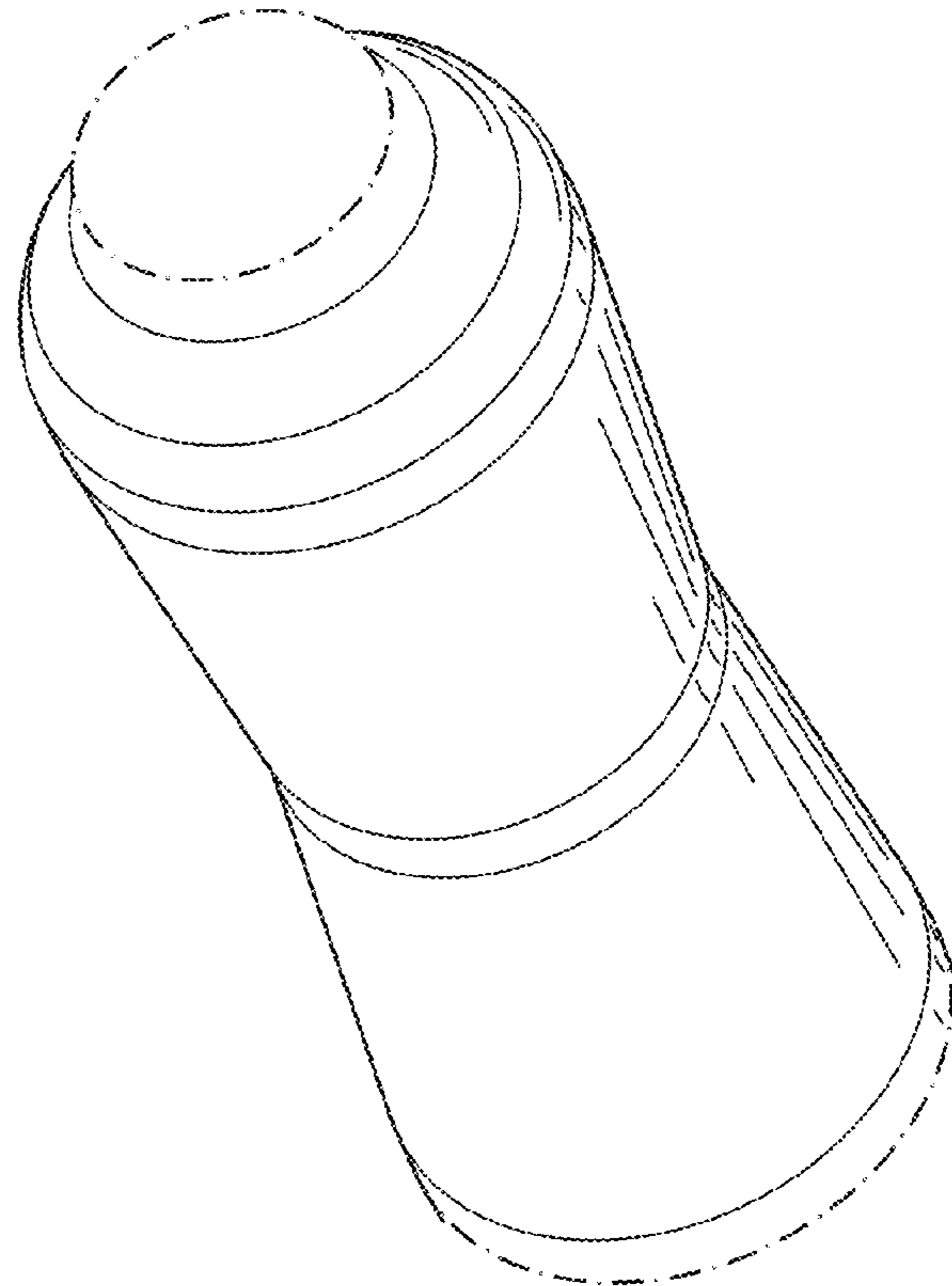


FIG. 5

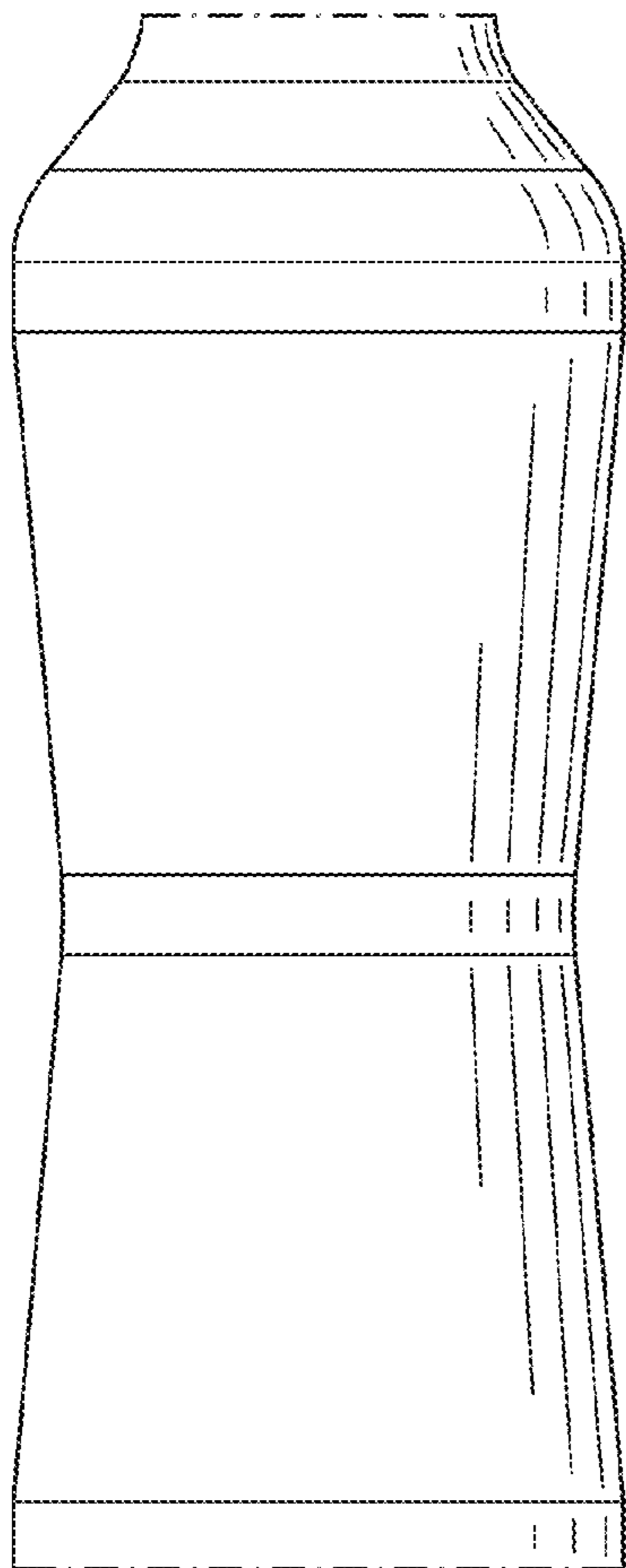


FIG. 4

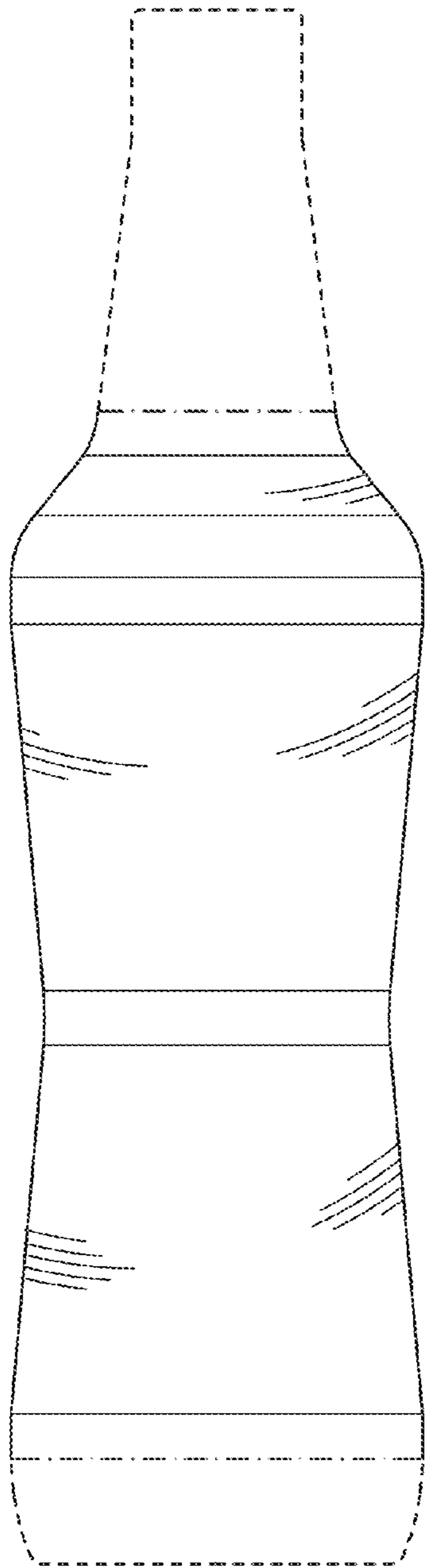


FIG. 7

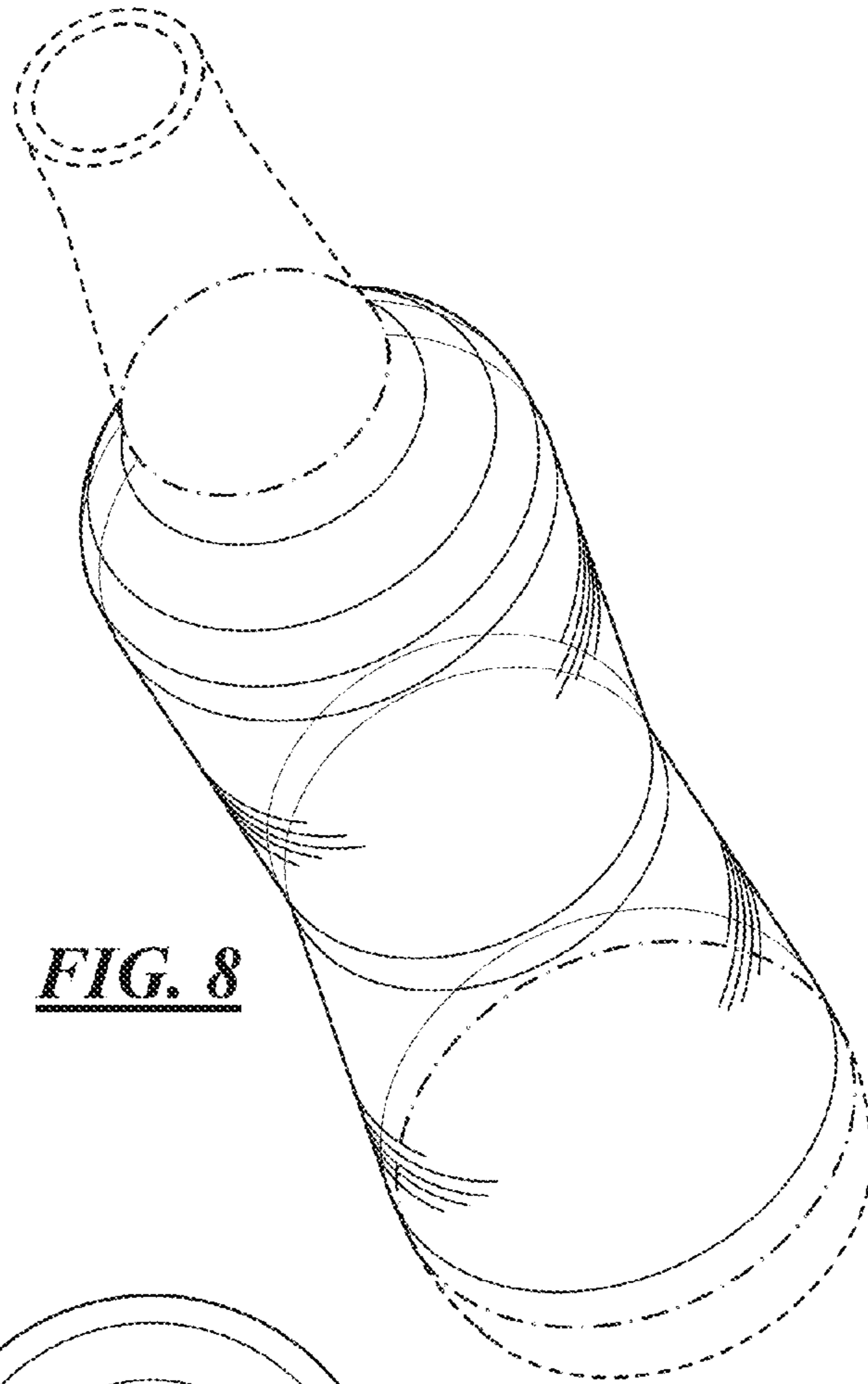


FIG. 8

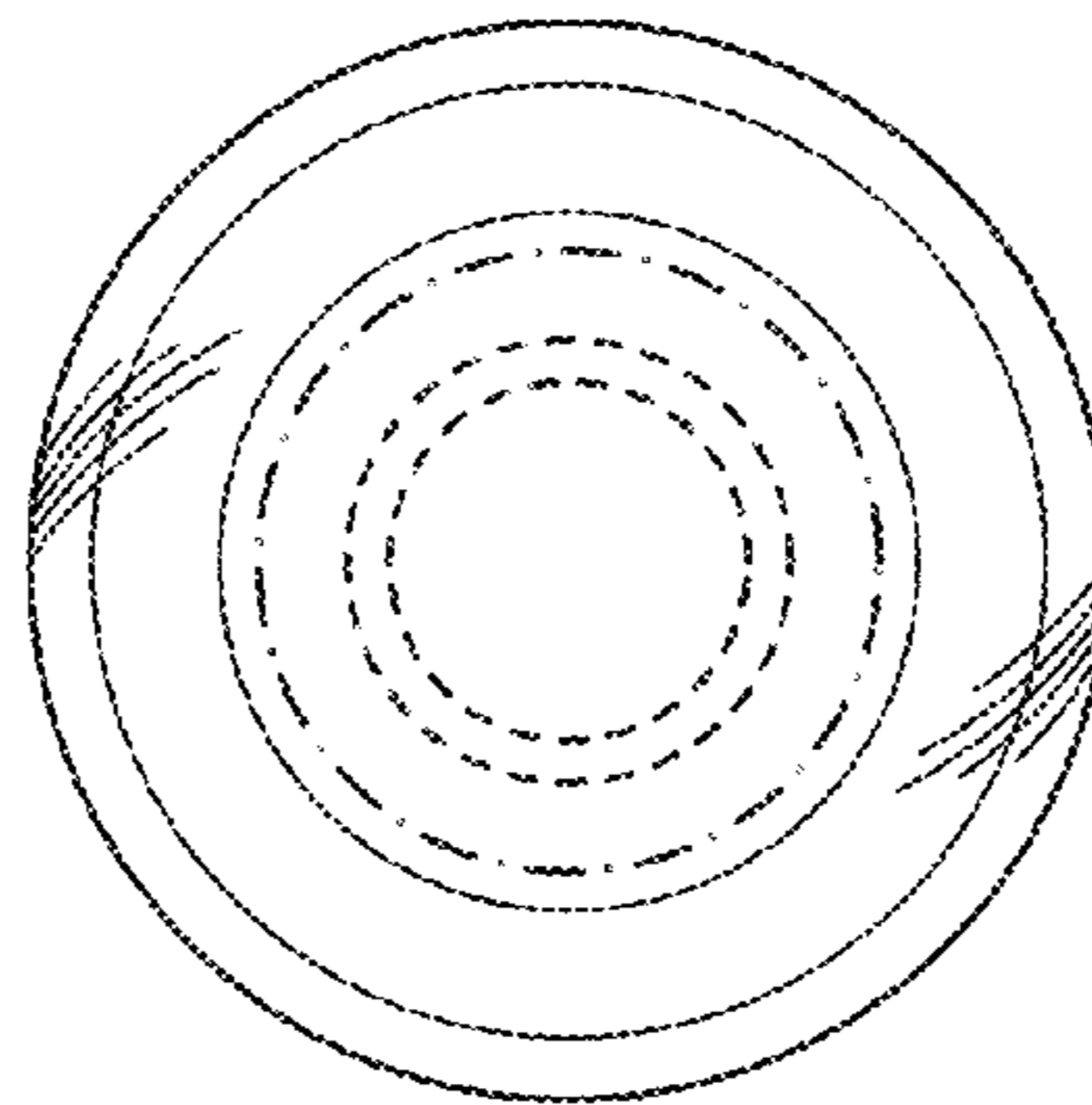


FIG. 9

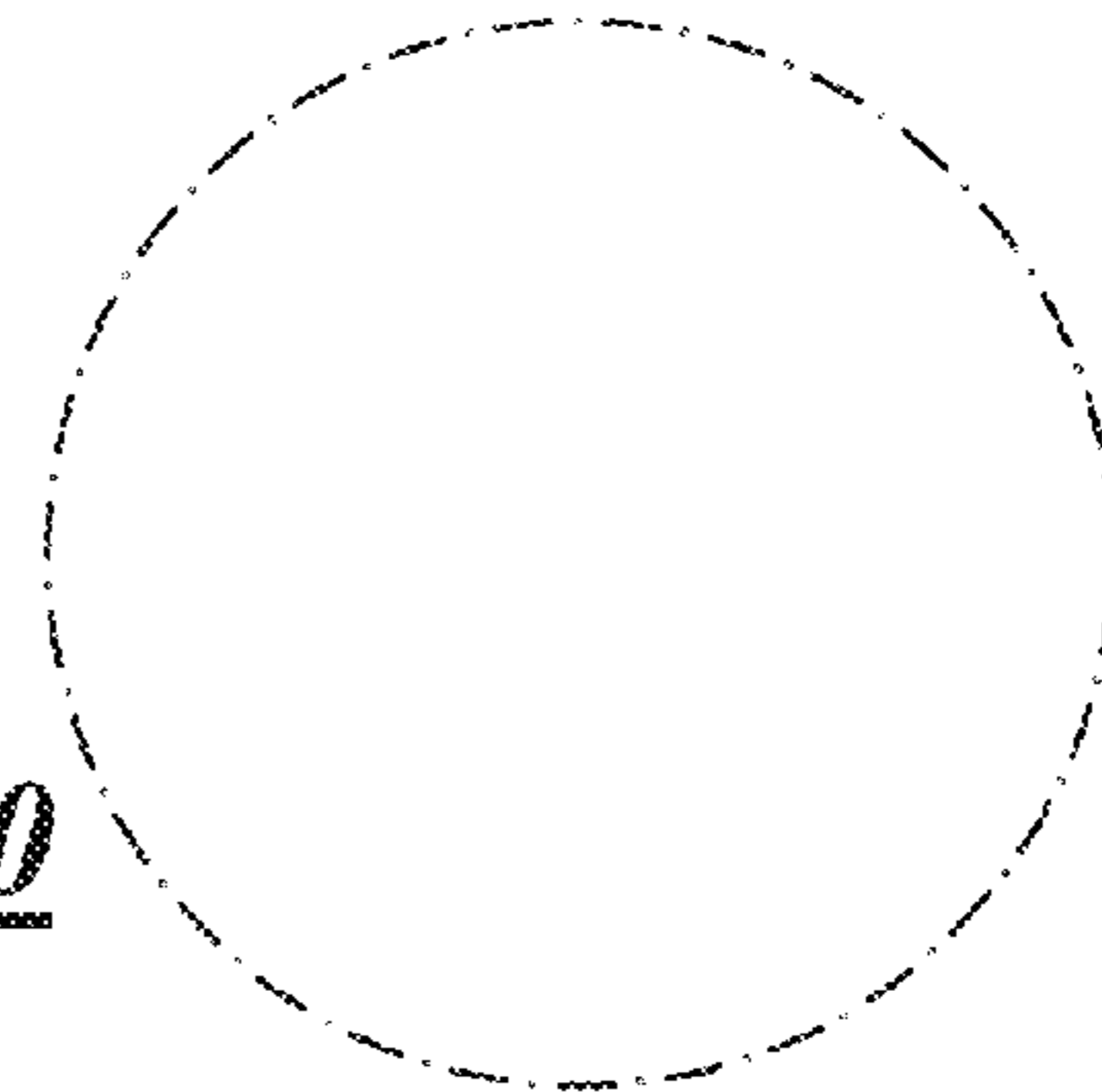


FIG. 10

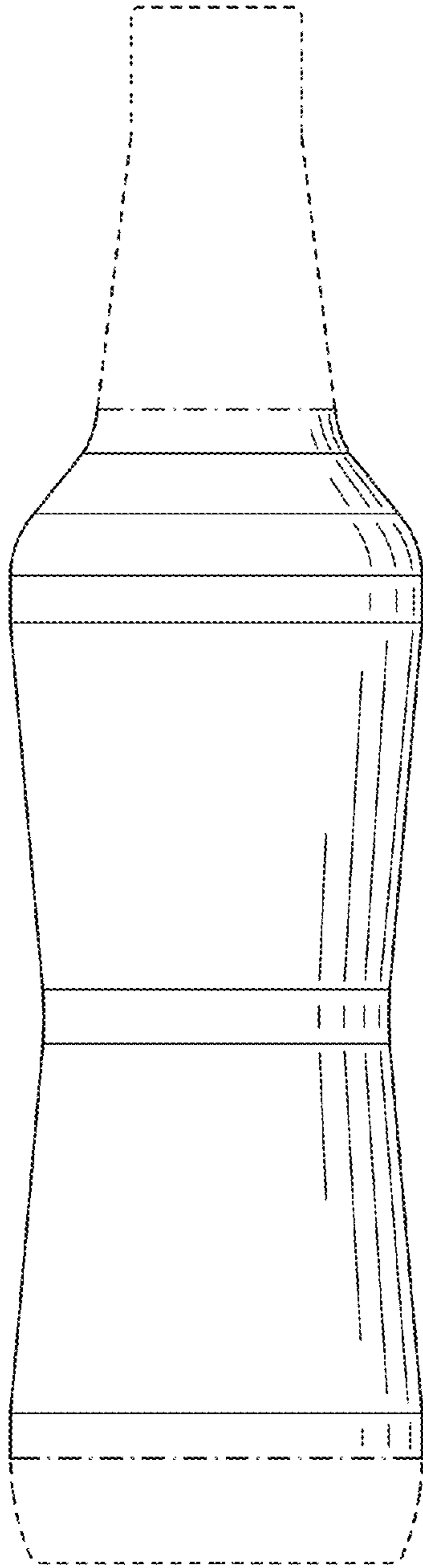


FIG. 11

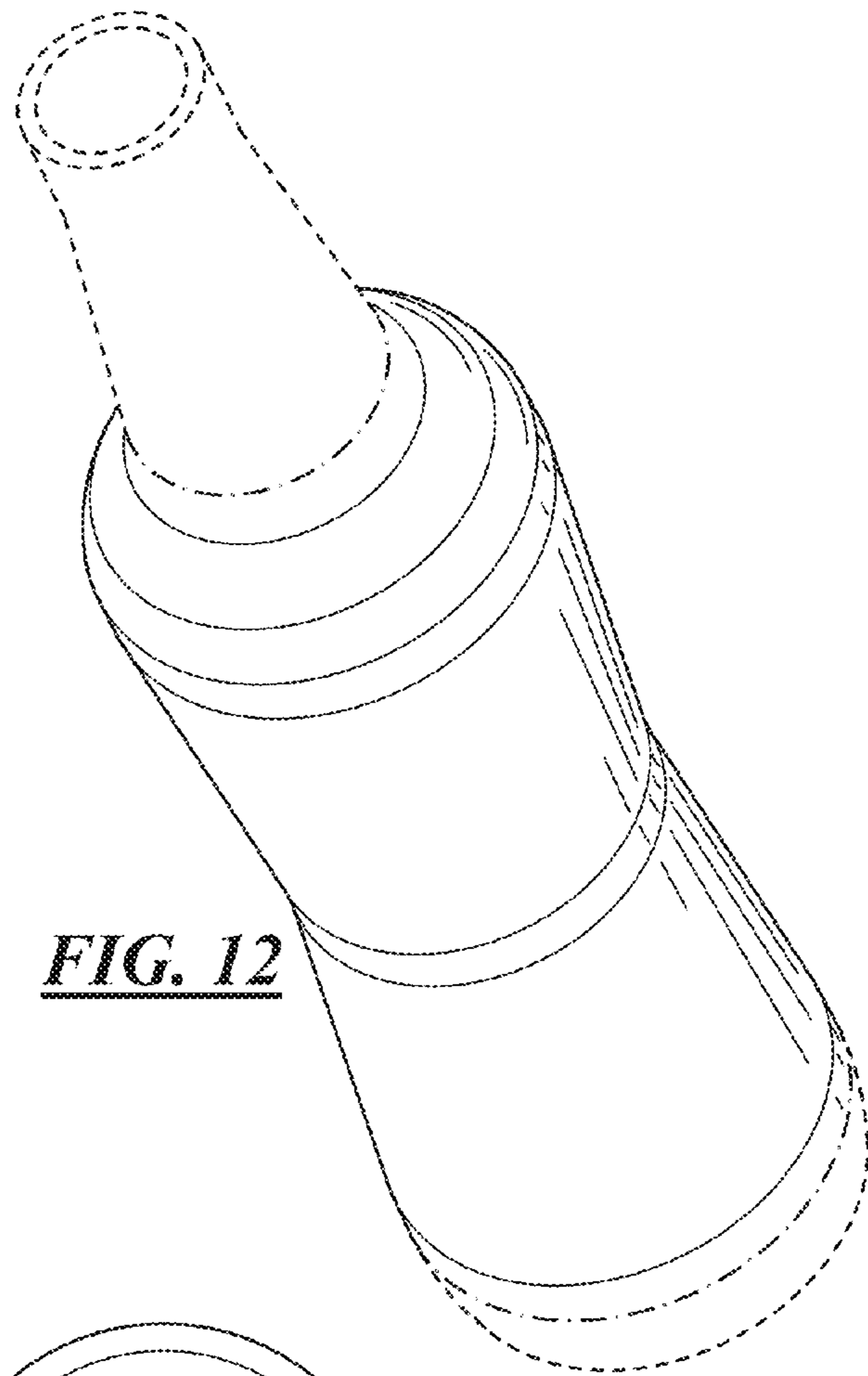


FIG. 12

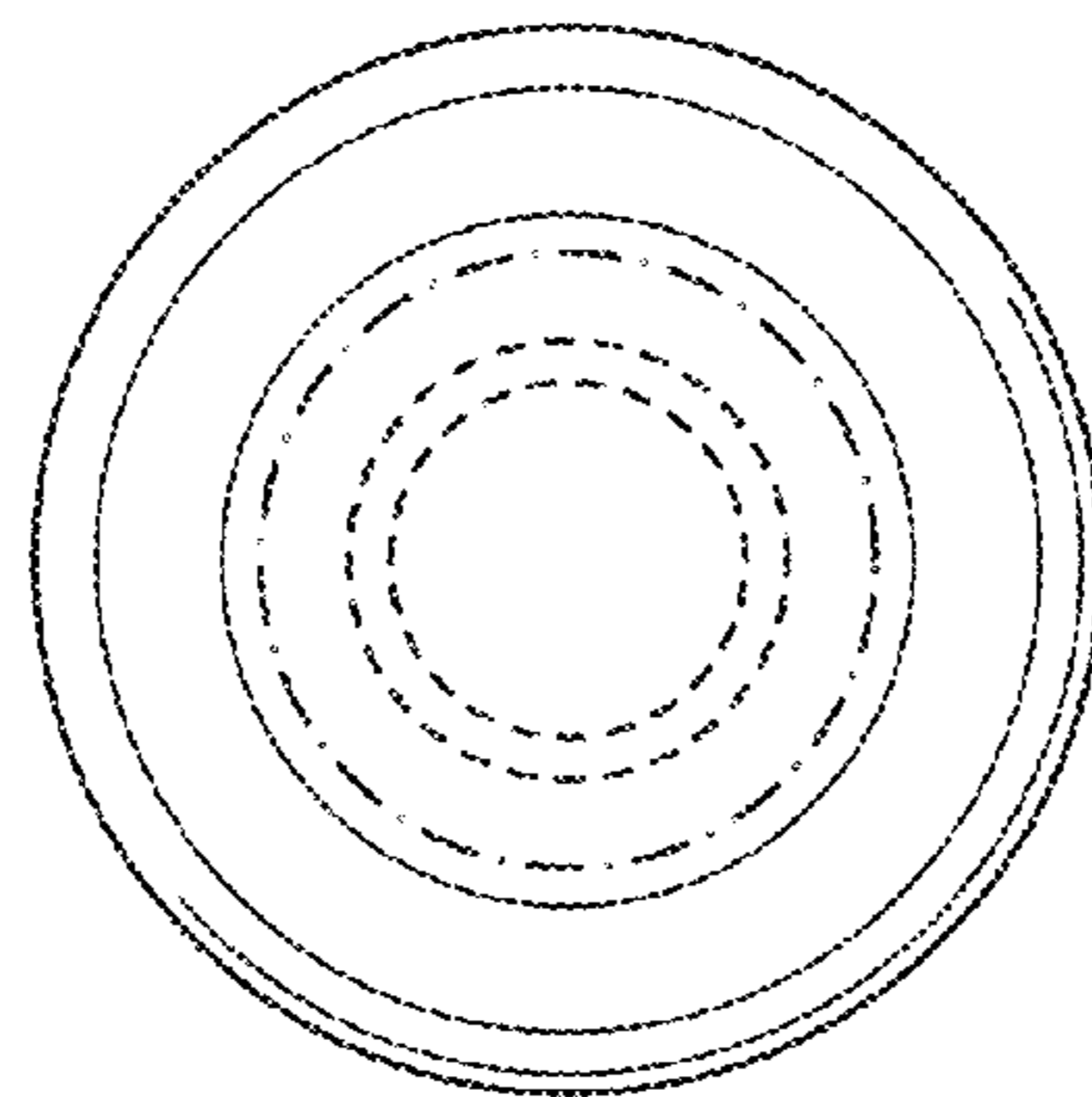


FIG. 13

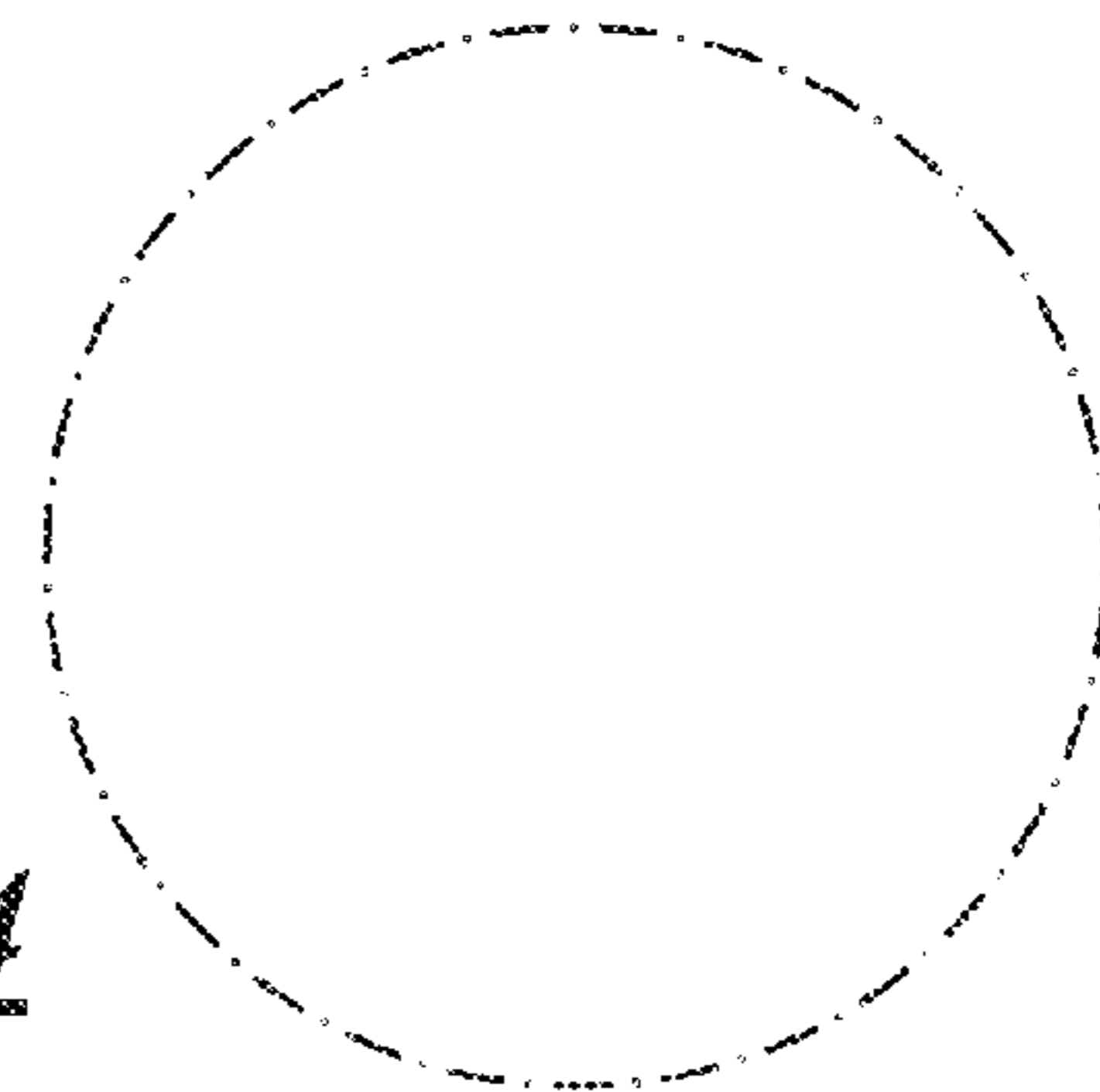


FIG. 14

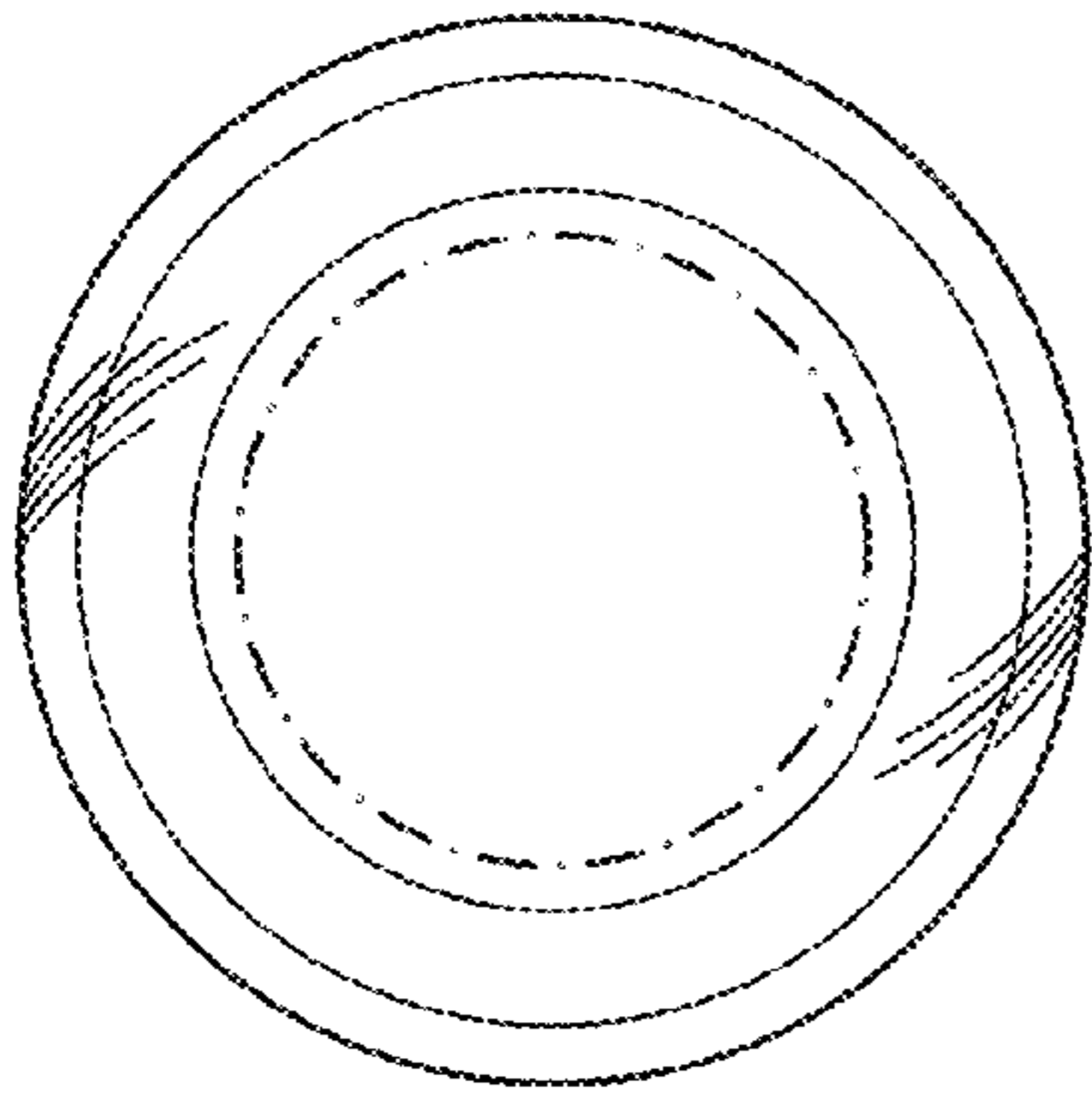


FIG. 17

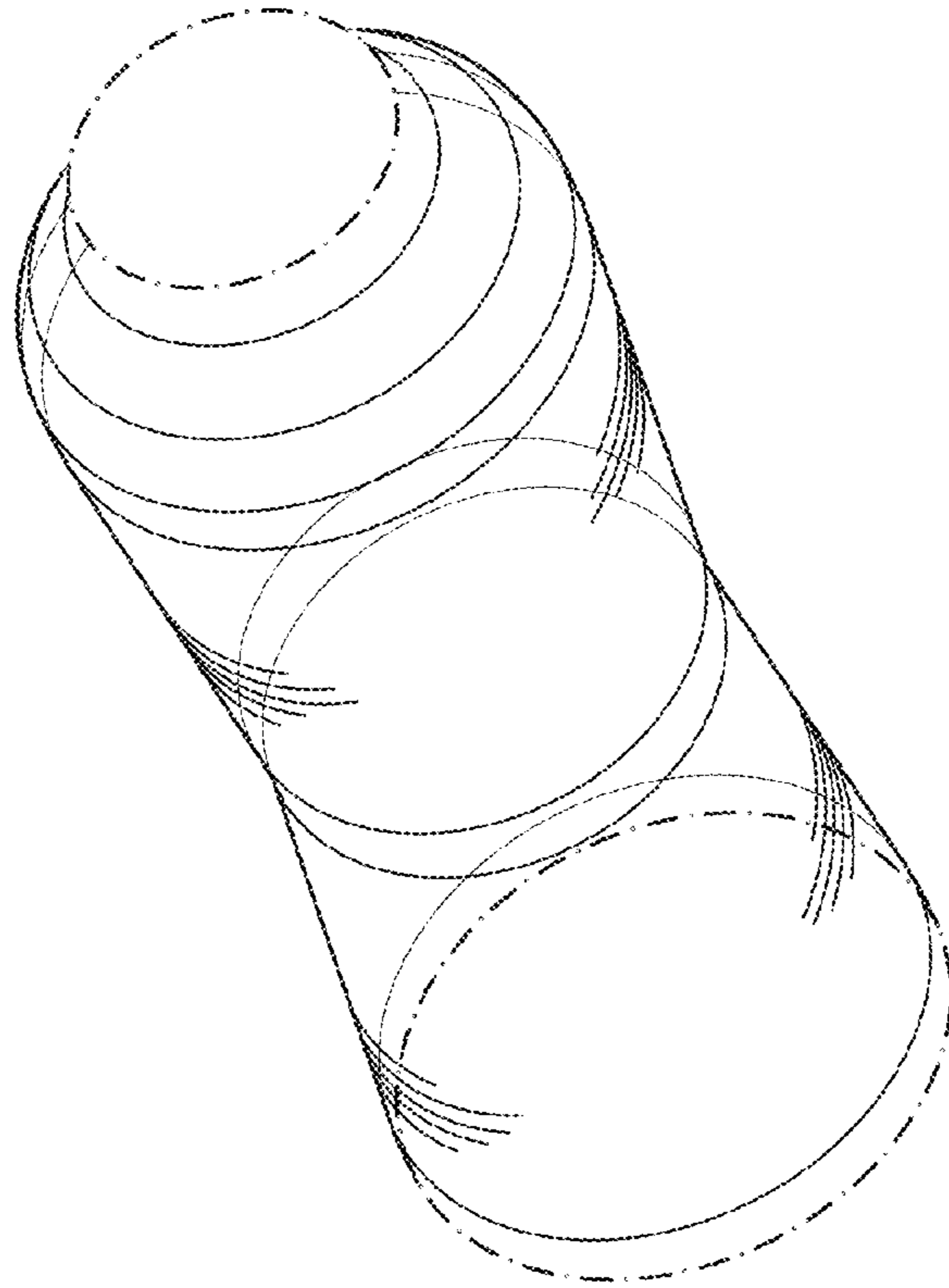


FIG. 16

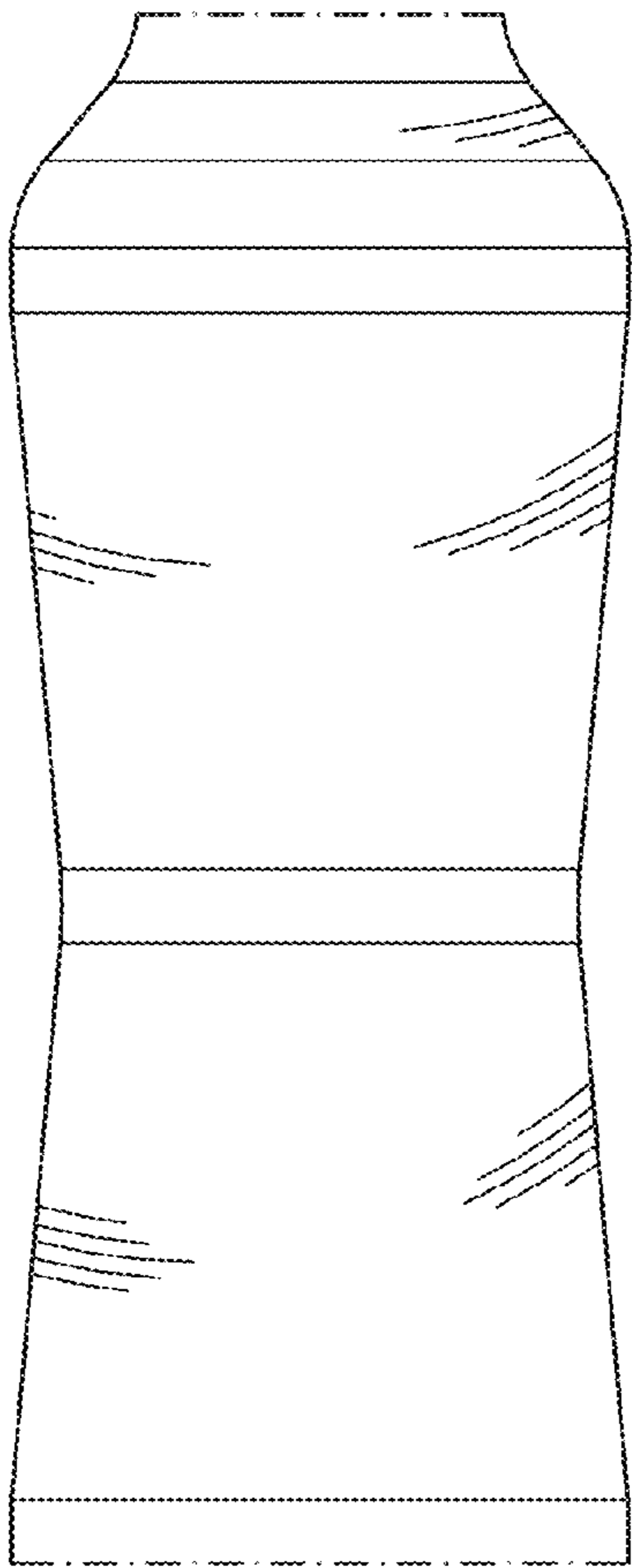


FIG. 15

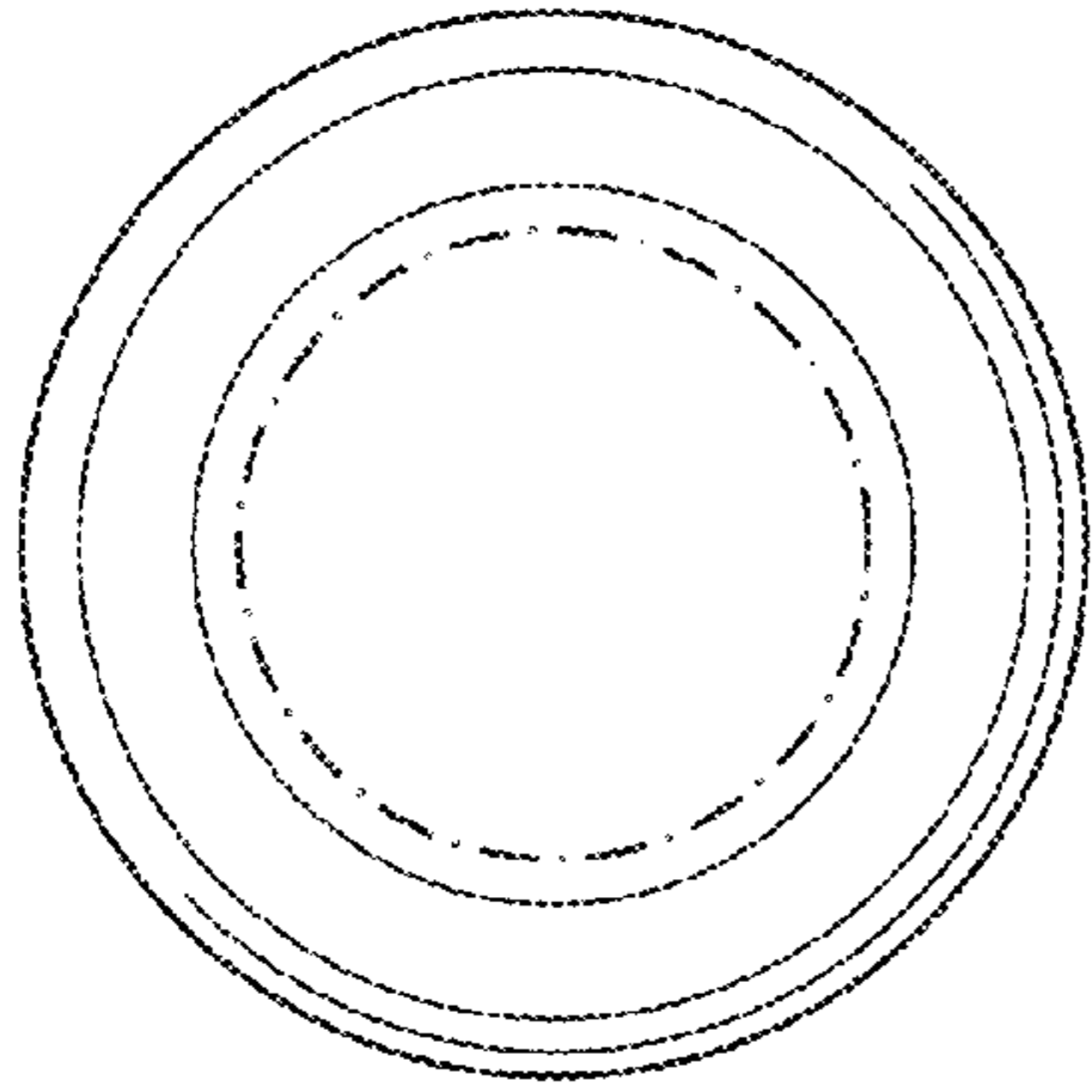


FIG. 20

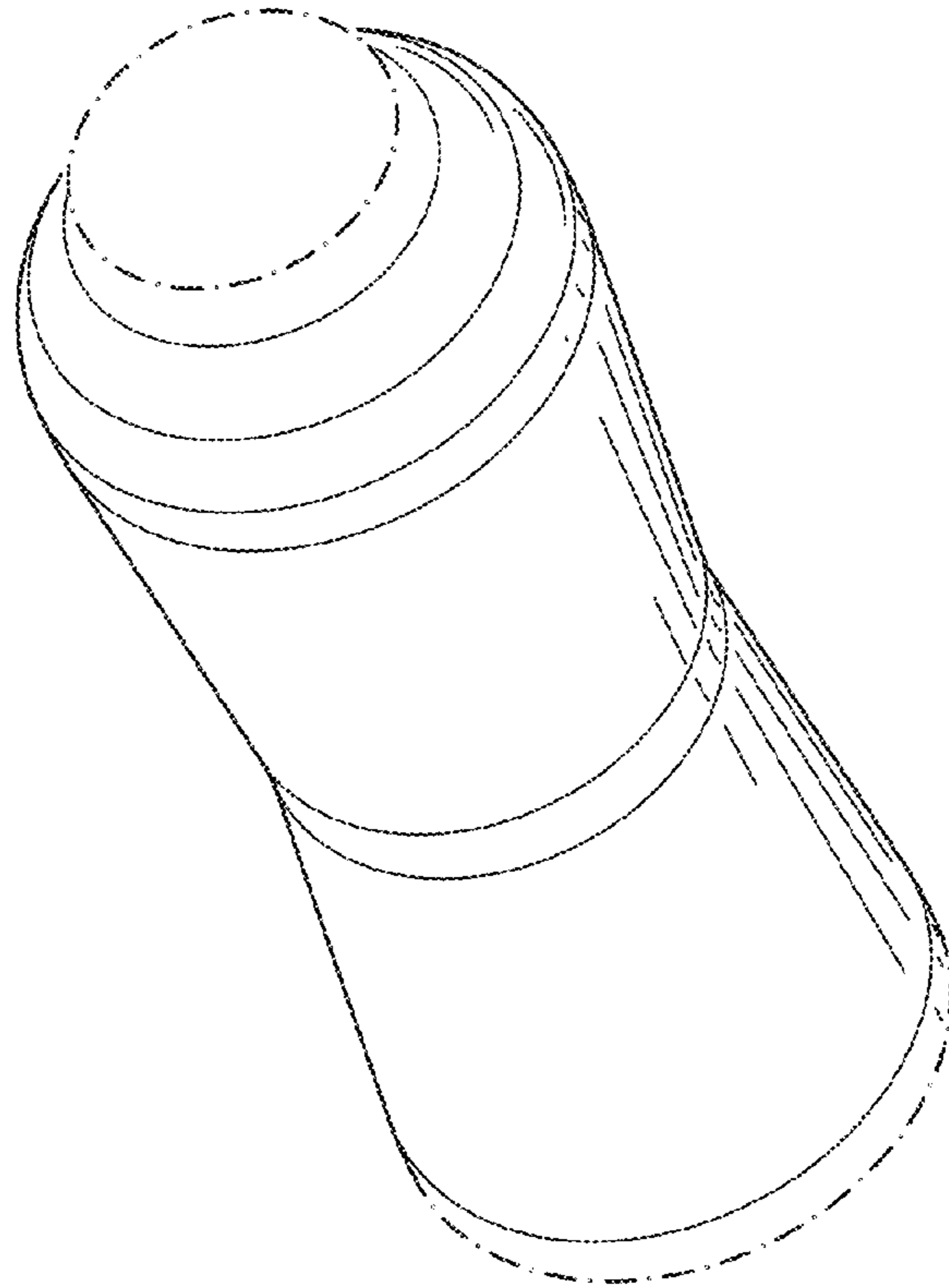


FIG. 19

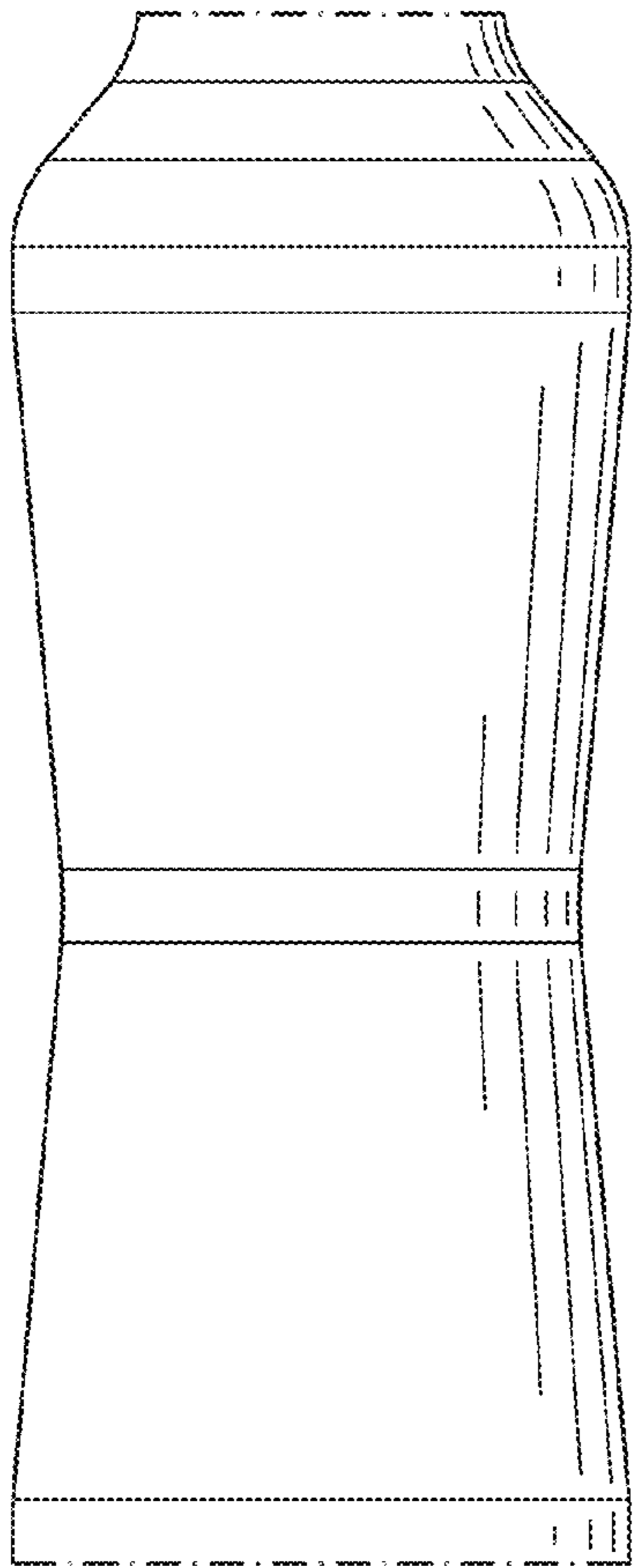


FIG. 18

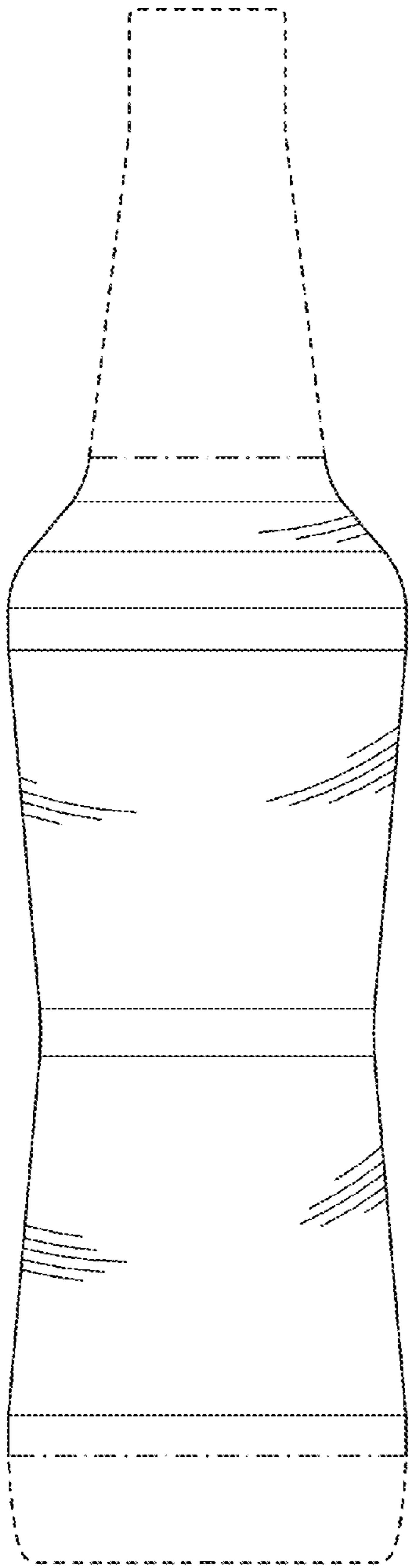


FIG. 21

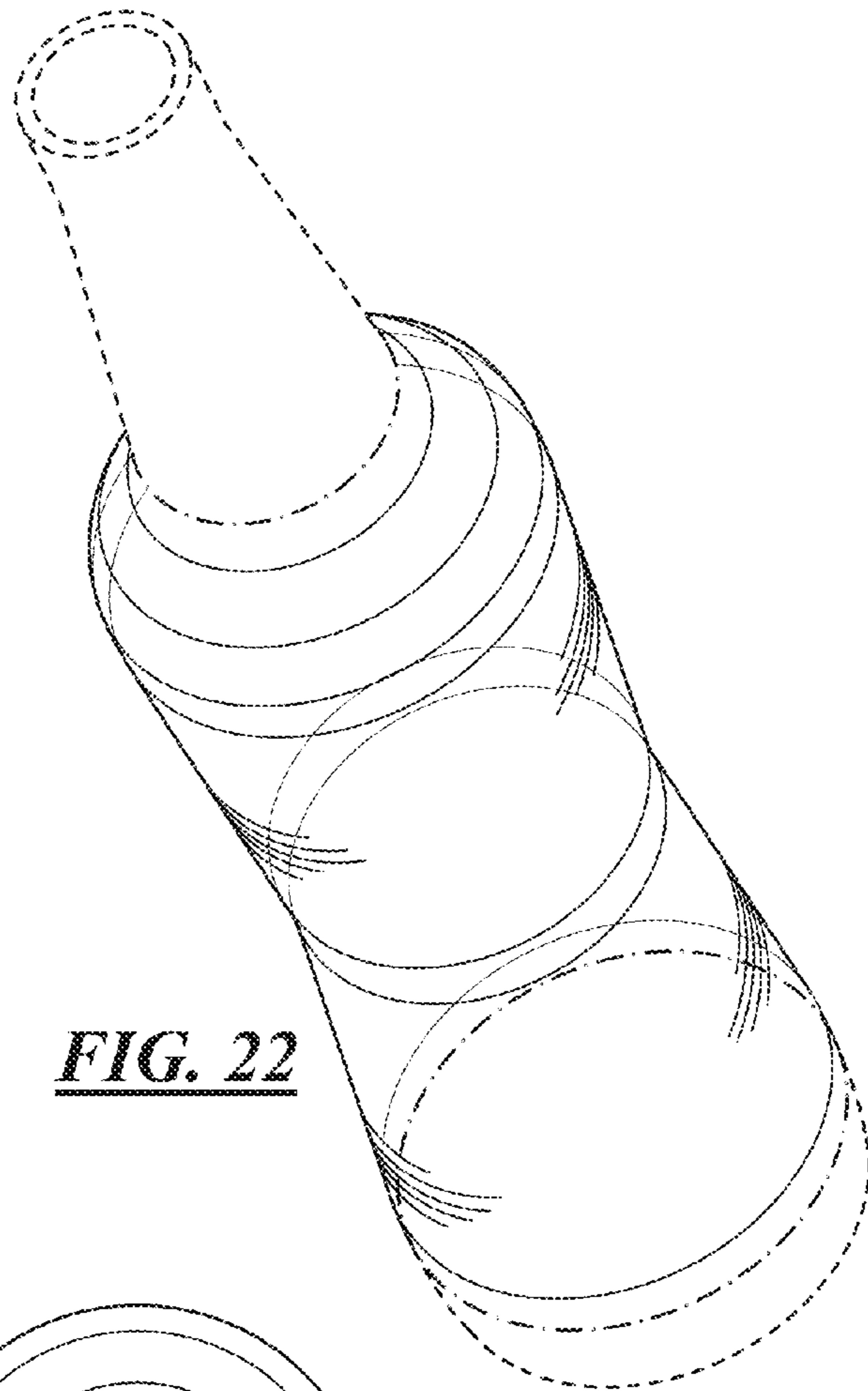


FIG. 22

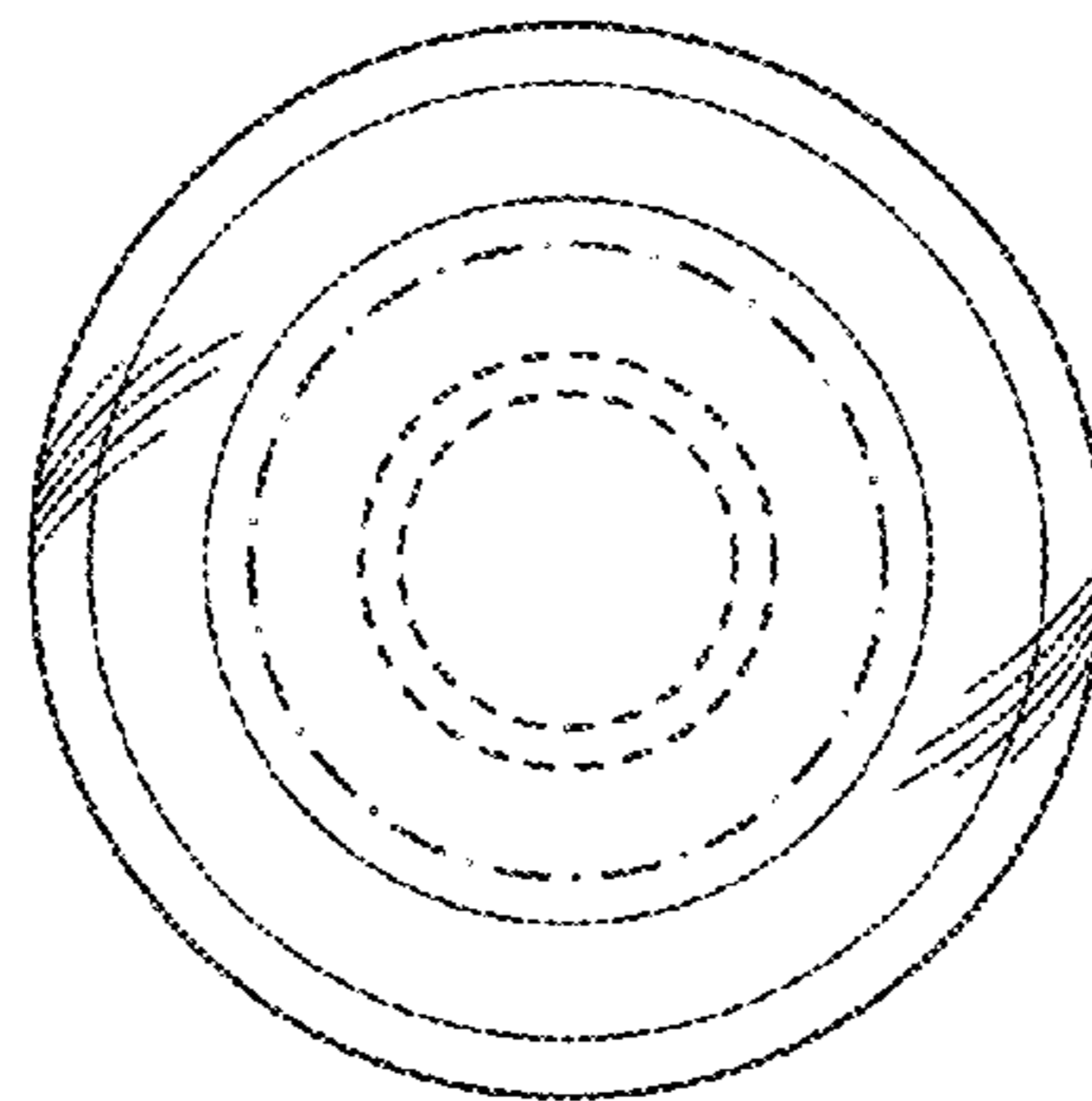


FIG. 23

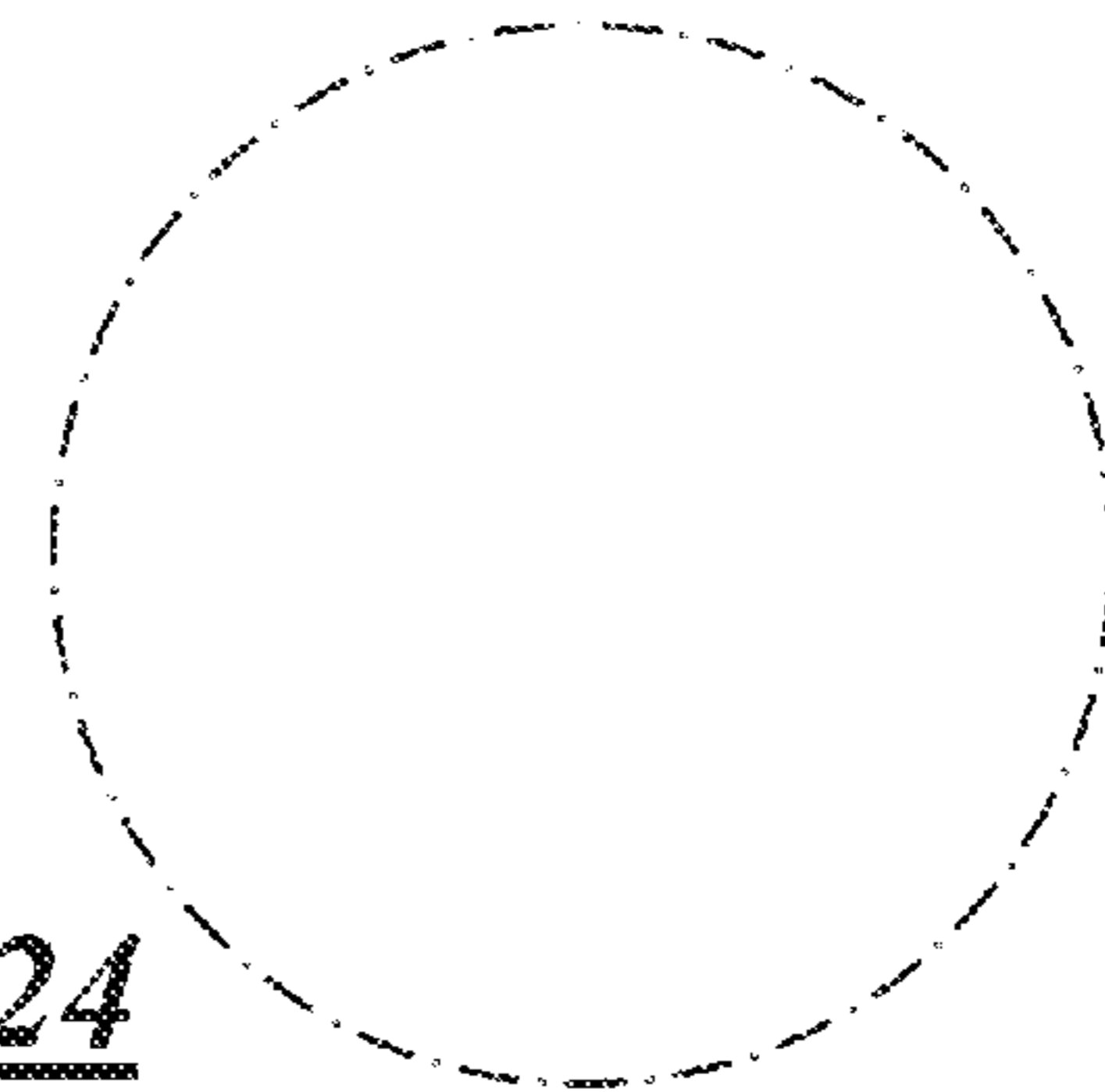


FIG. 24

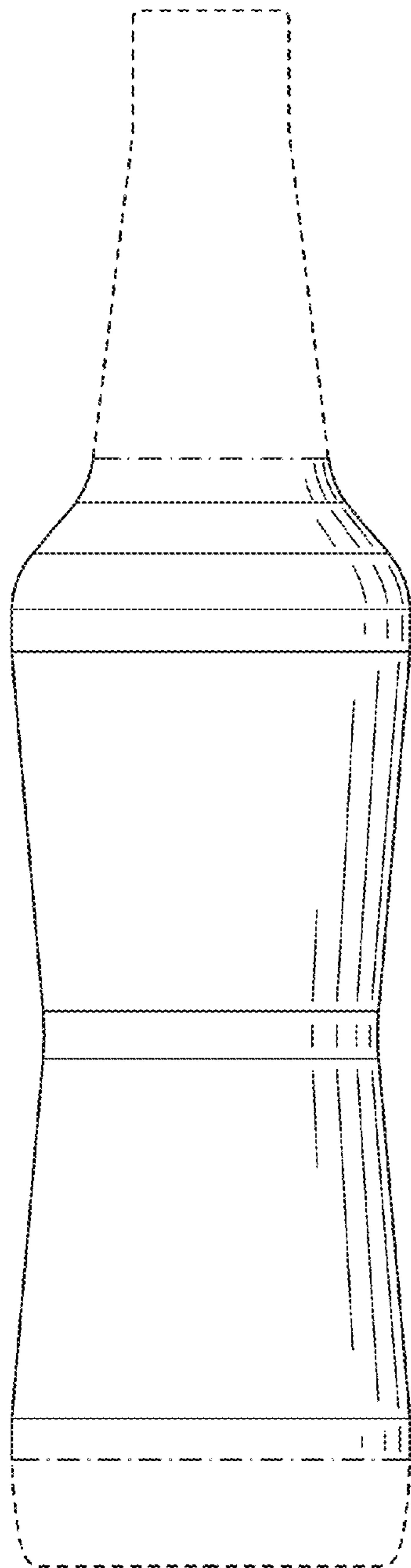


FIG. 25

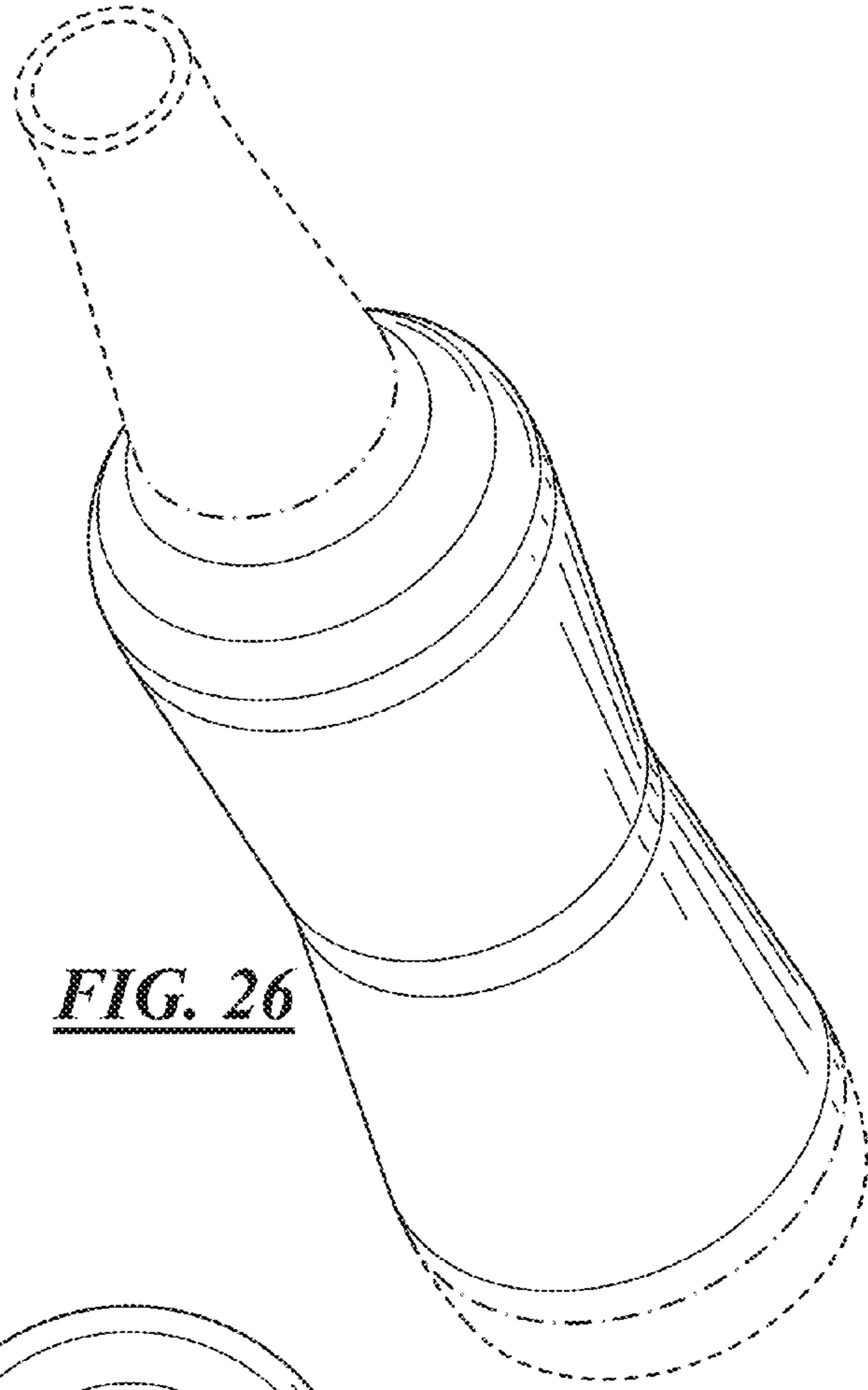


FIG. 26

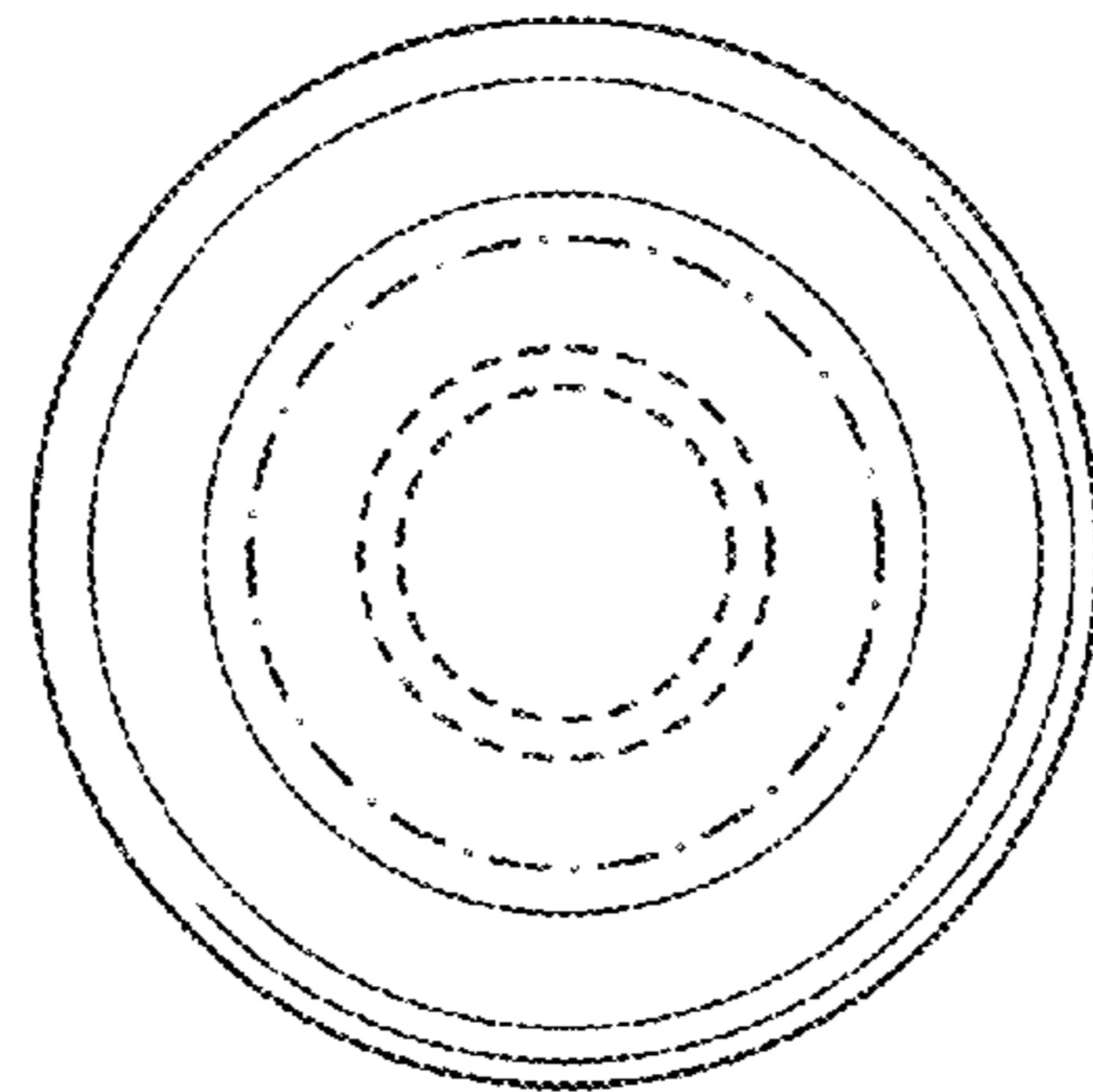


FIG. 27

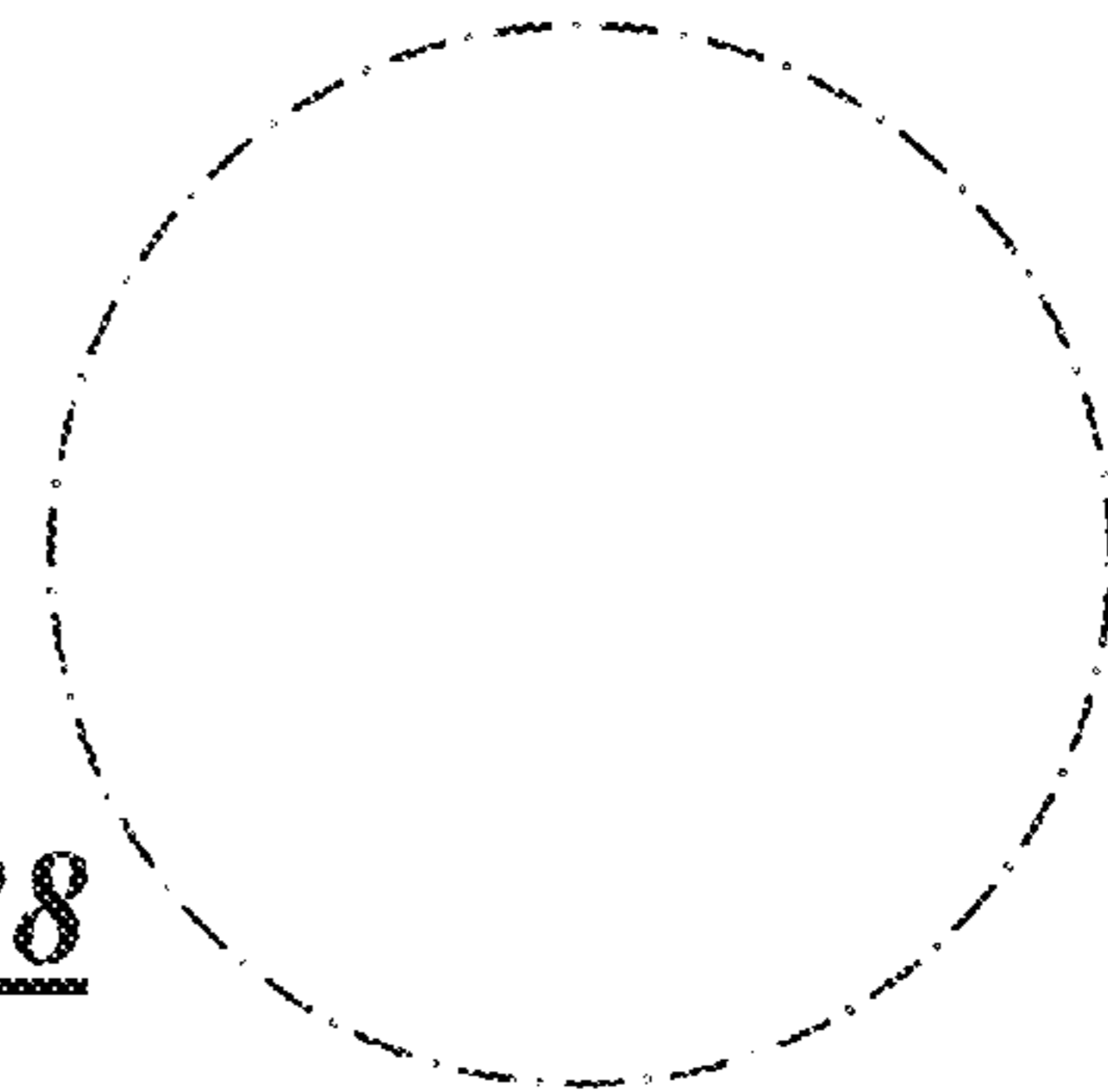


FIG. 28

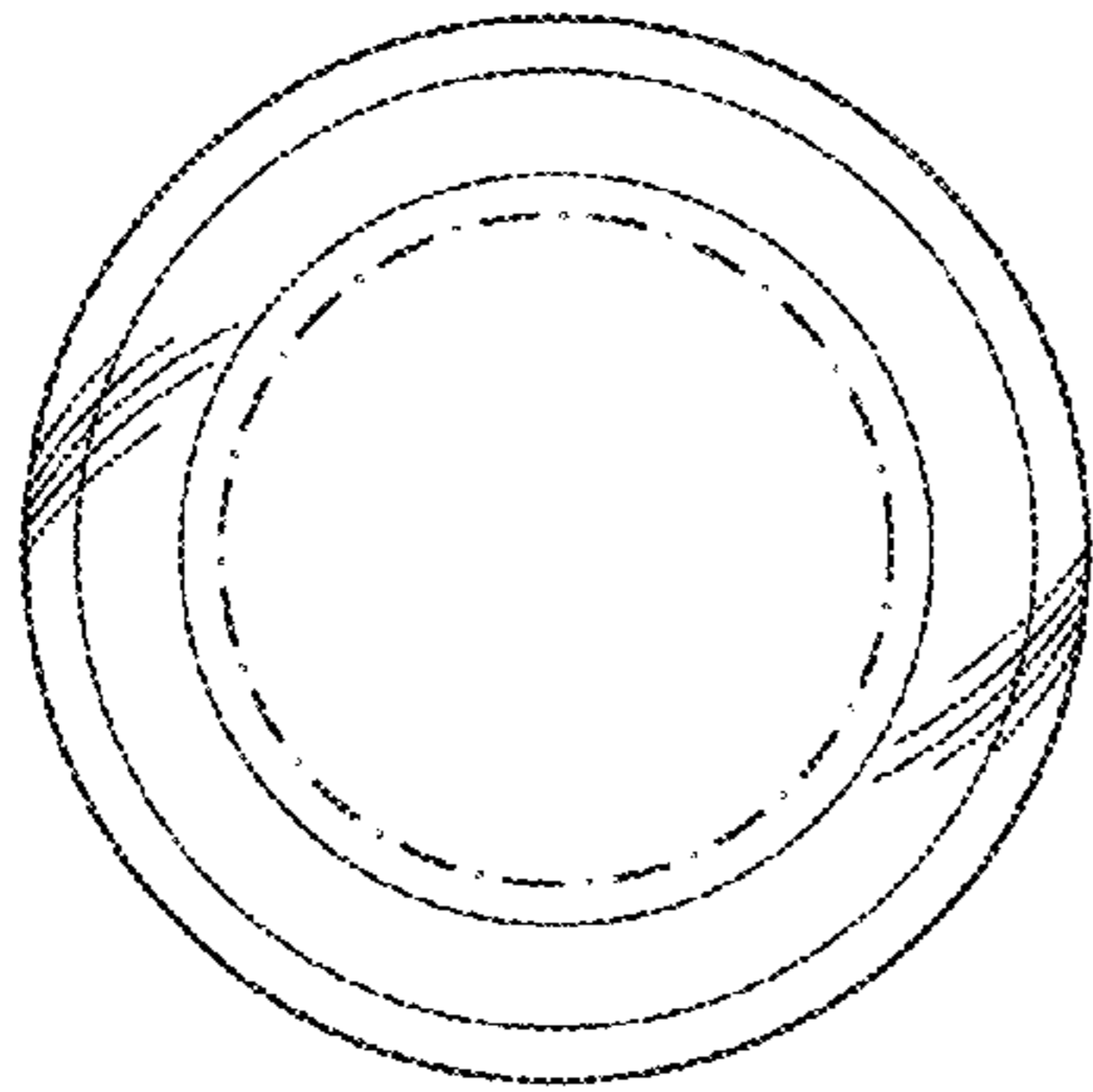


FIG. 31

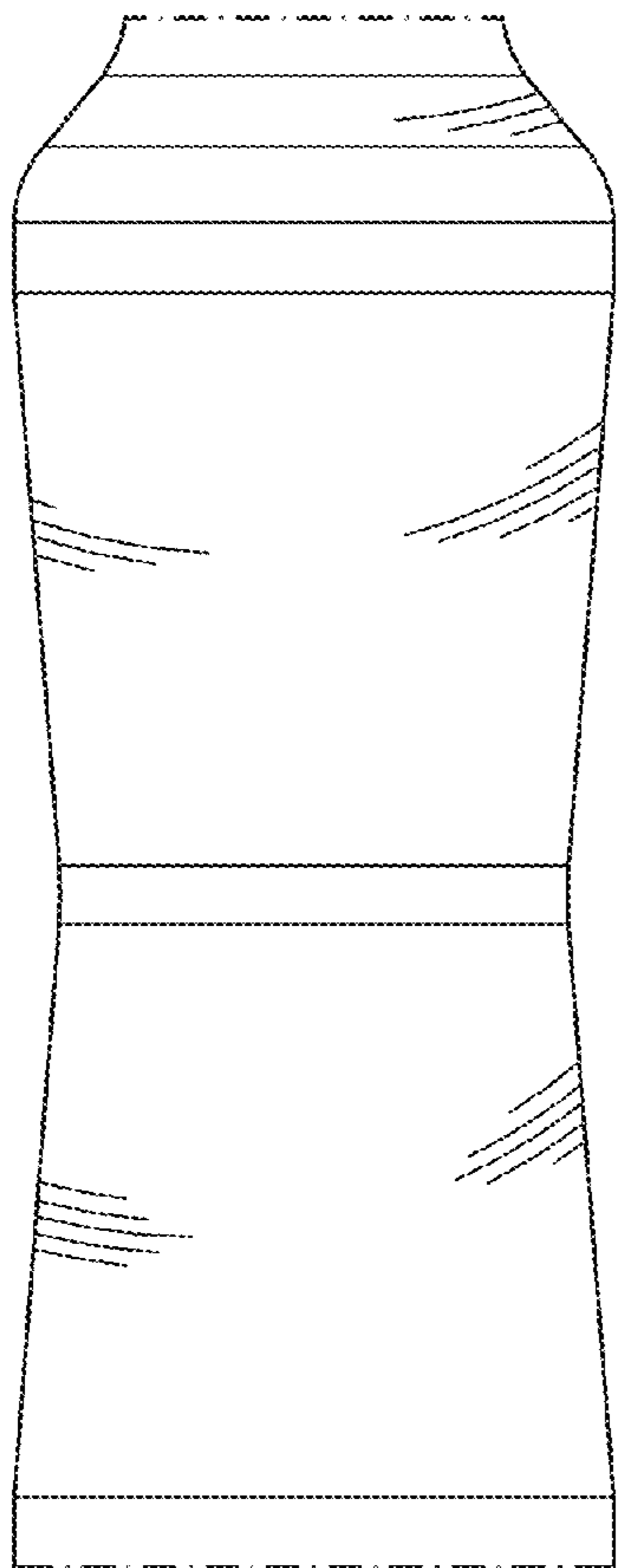


FIG. 29

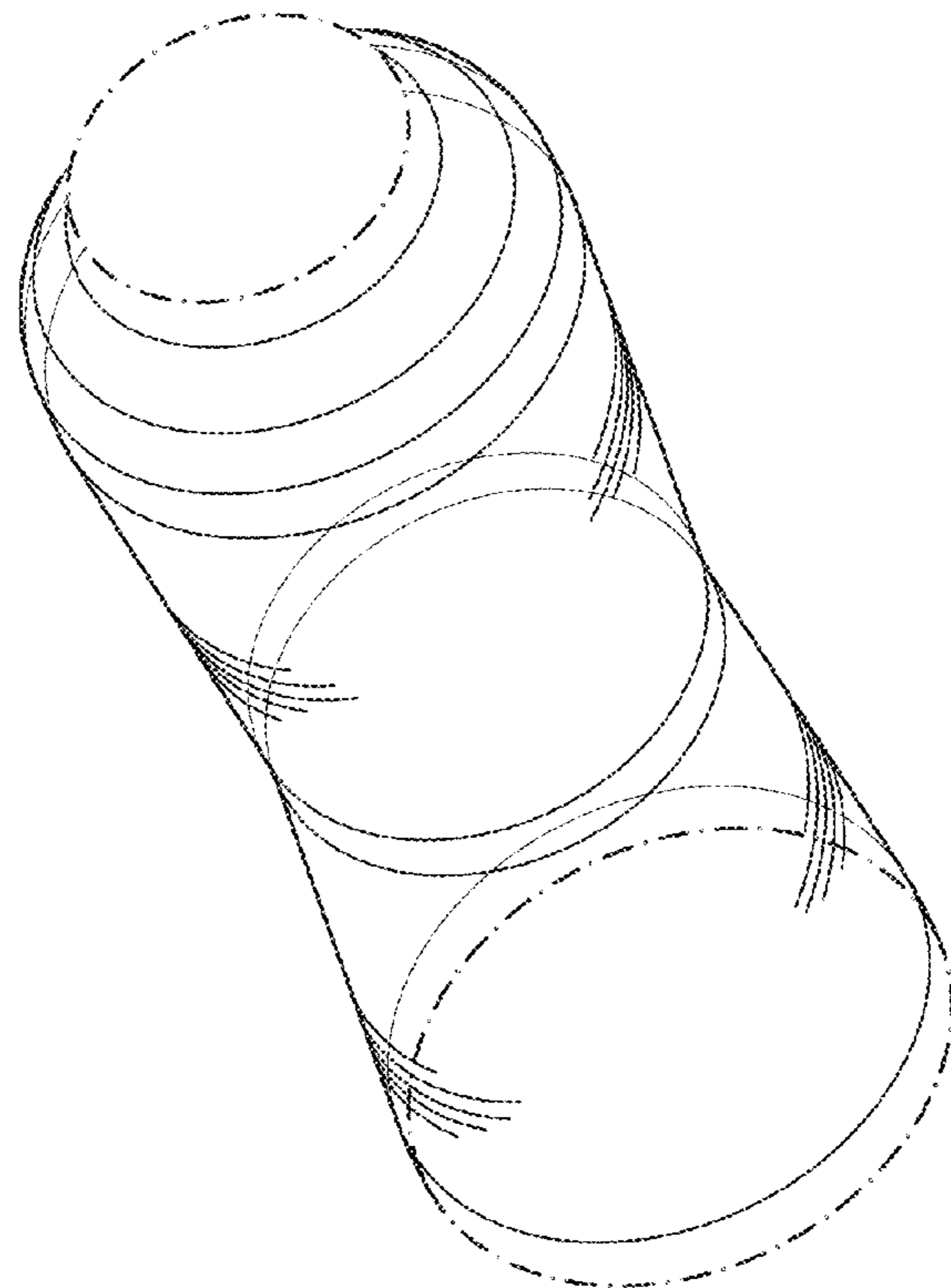


FIG. 30

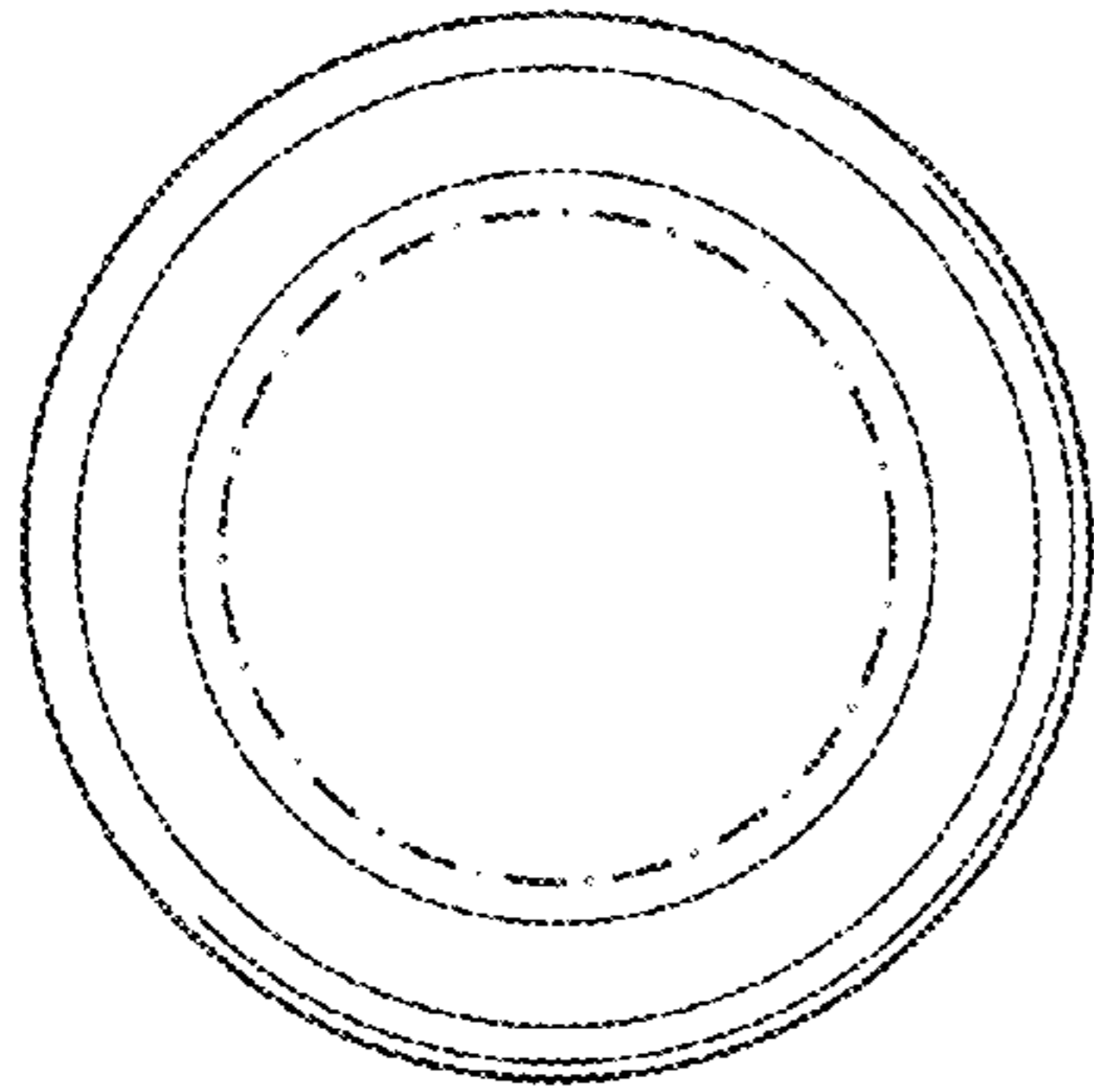


FIG. 34

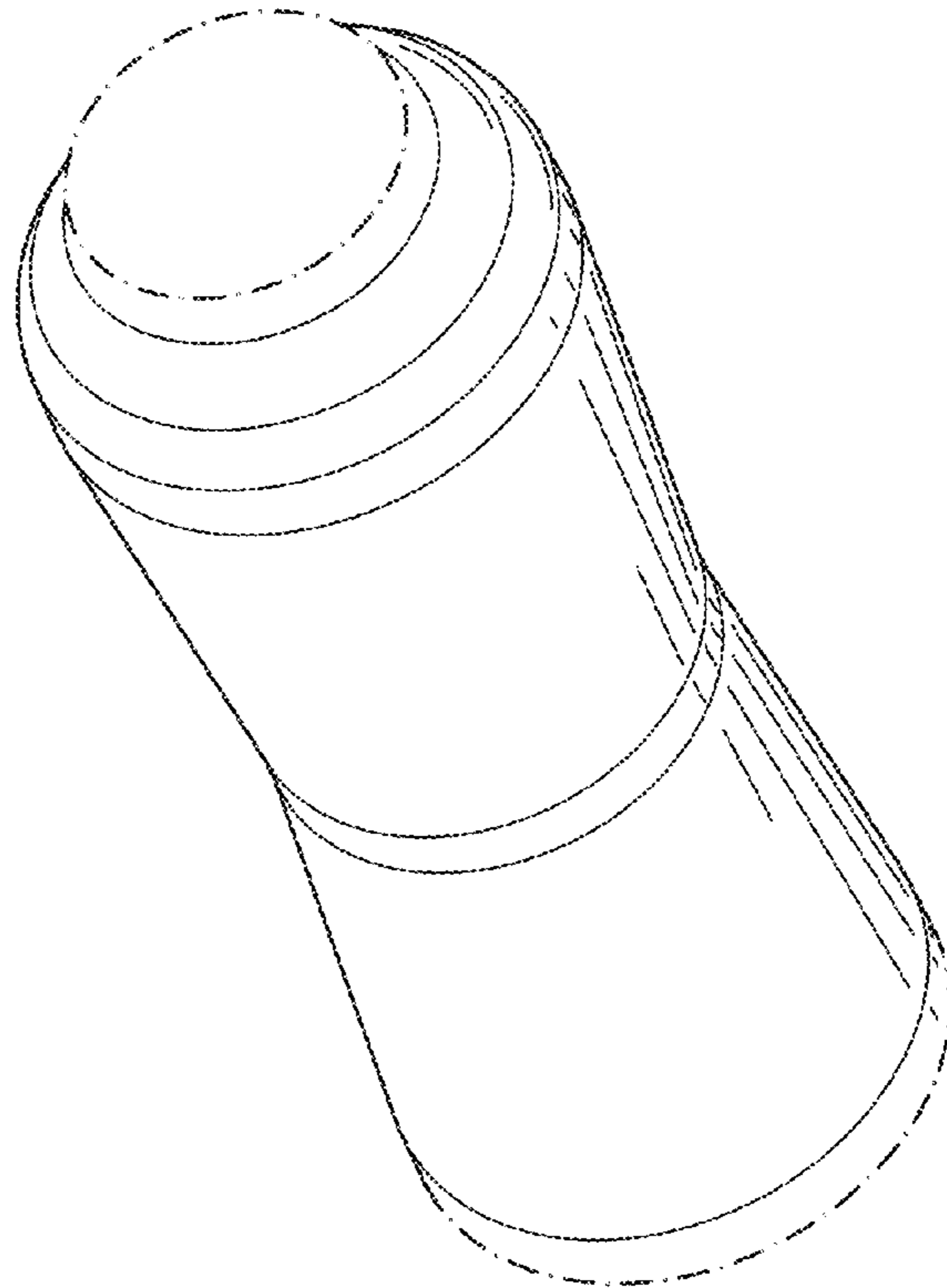


FIG. 33

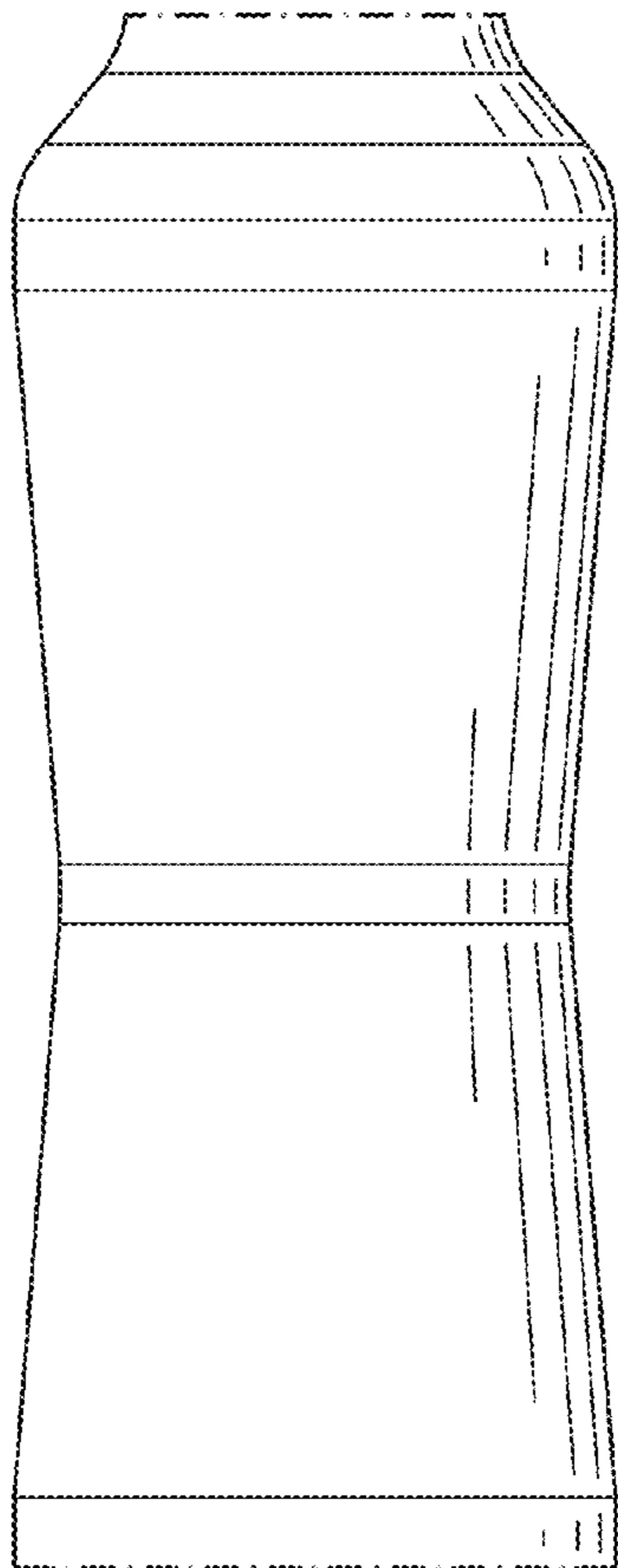


FIG. 32

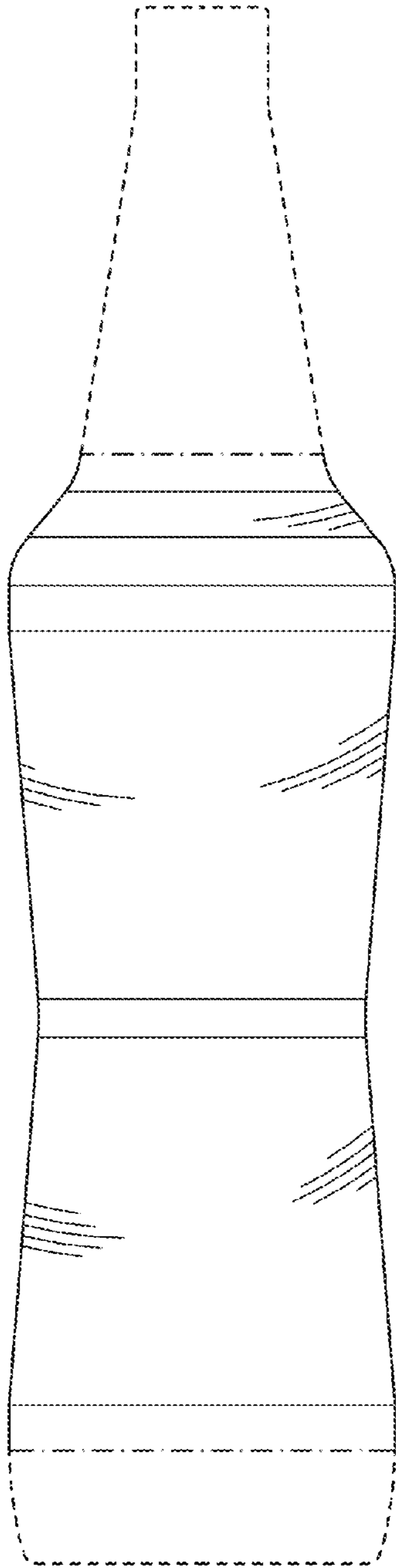


FIG. 35

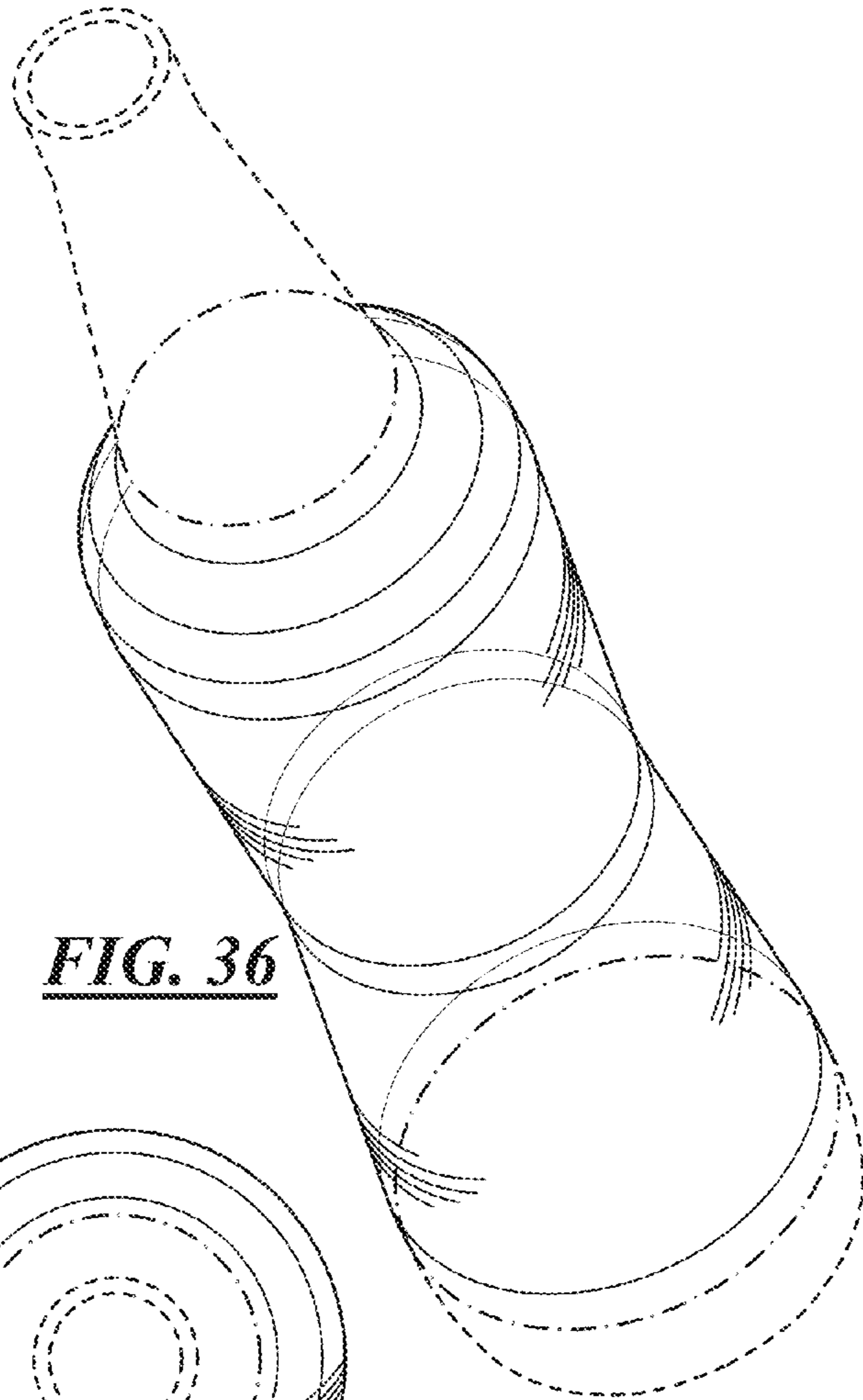


FIG. 36

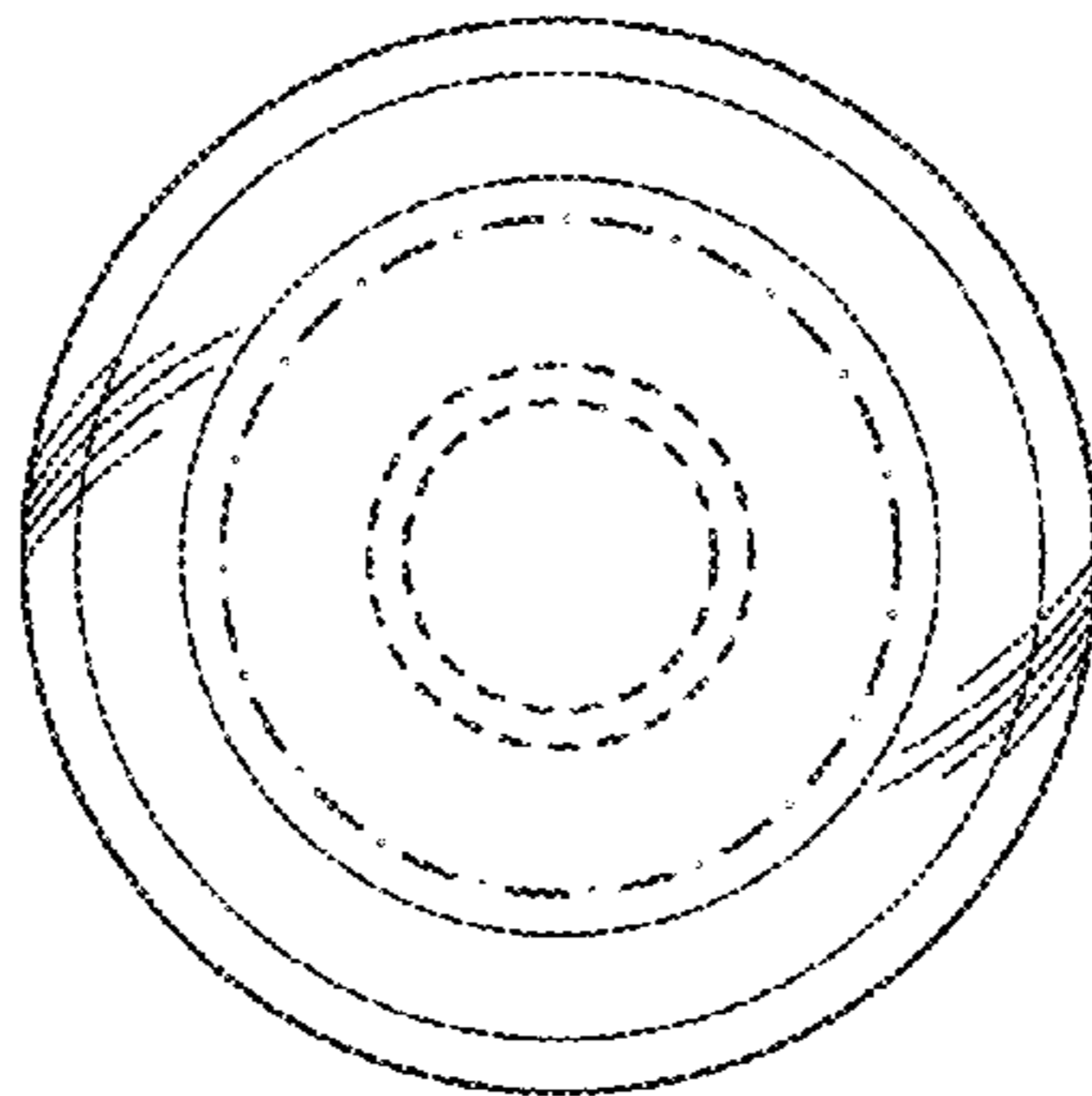


FIG. 37

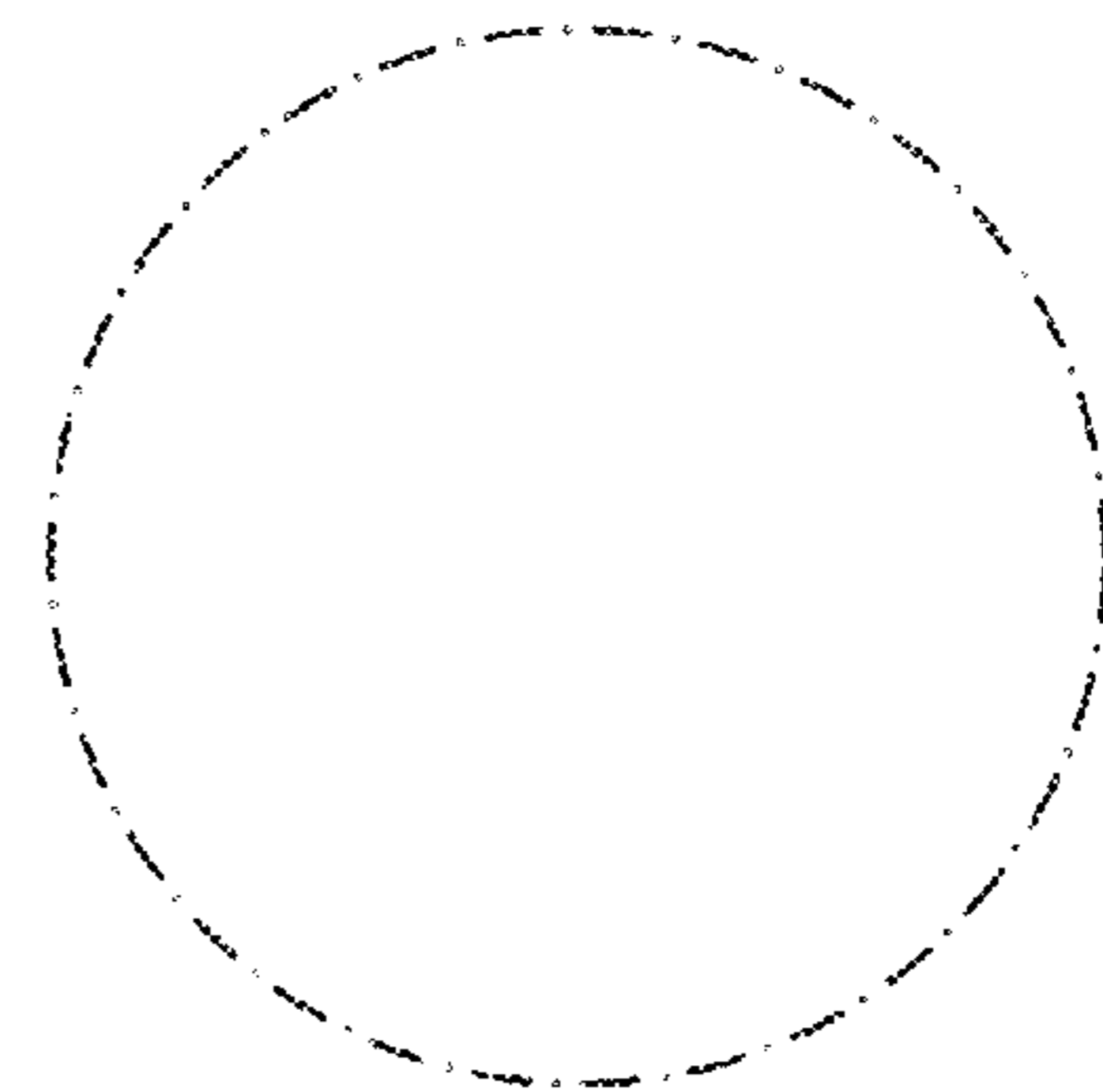


FIG. 38

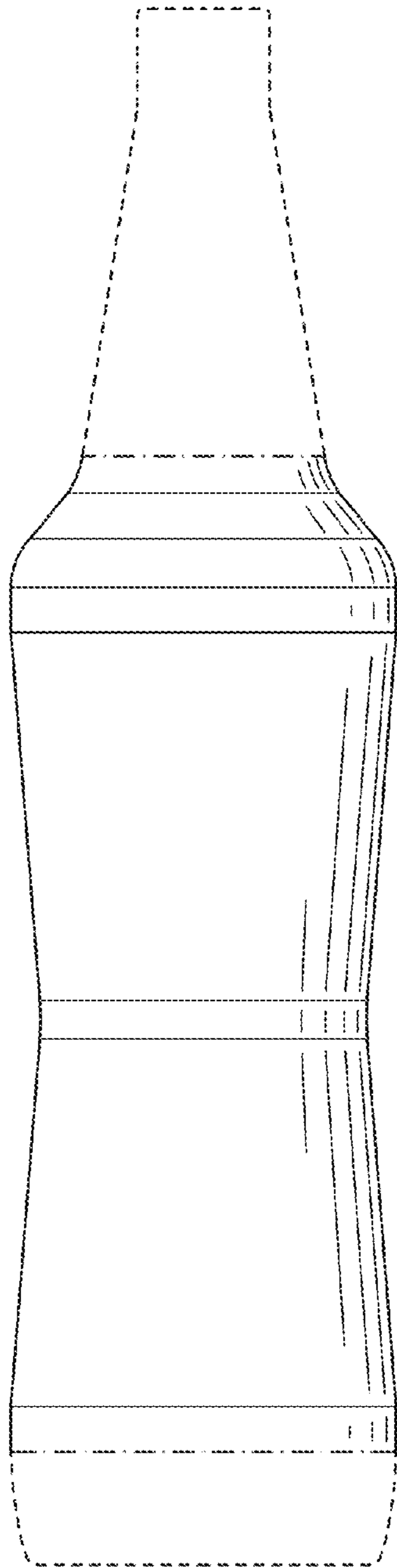


FIG. 39

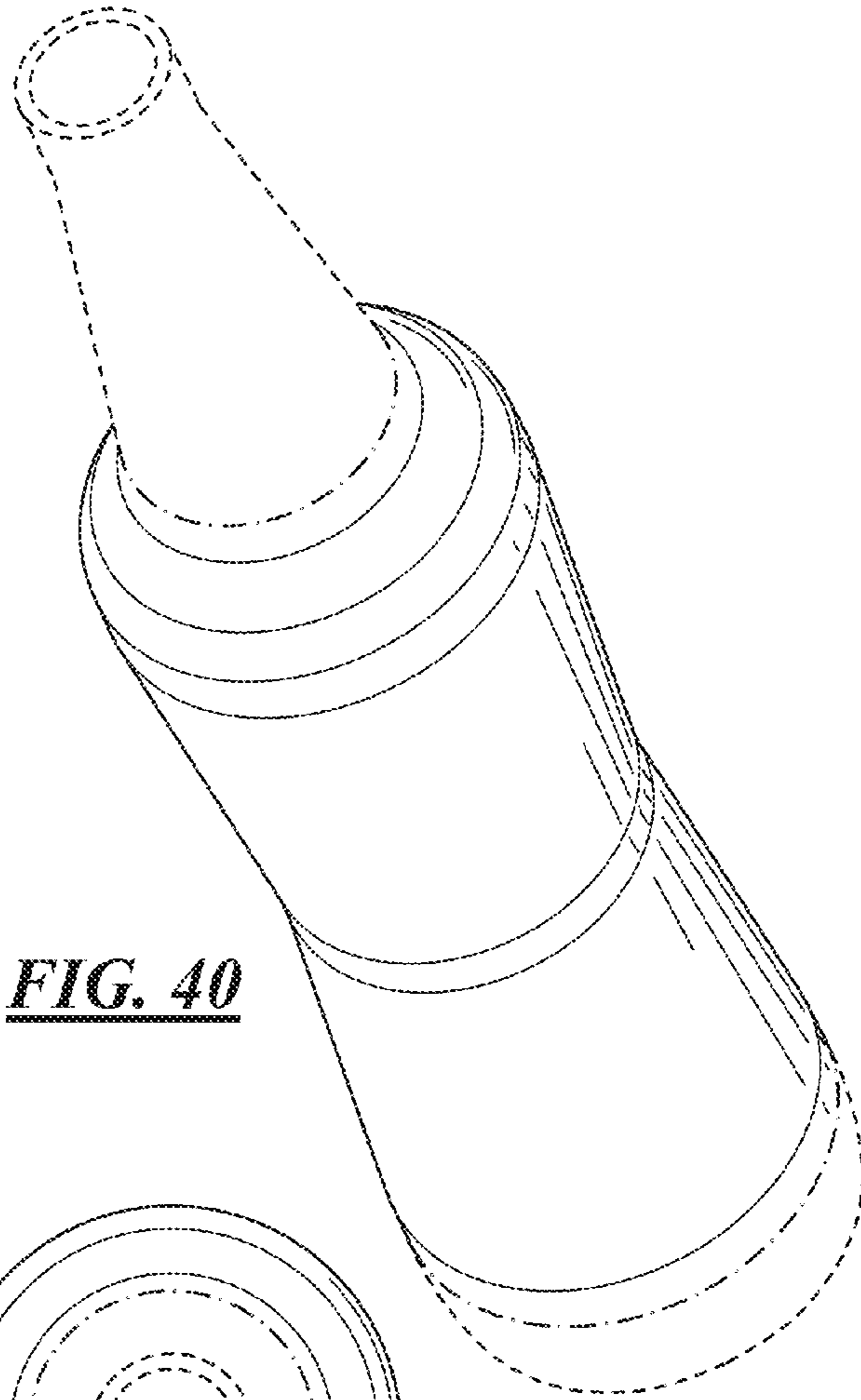


FIG. 40

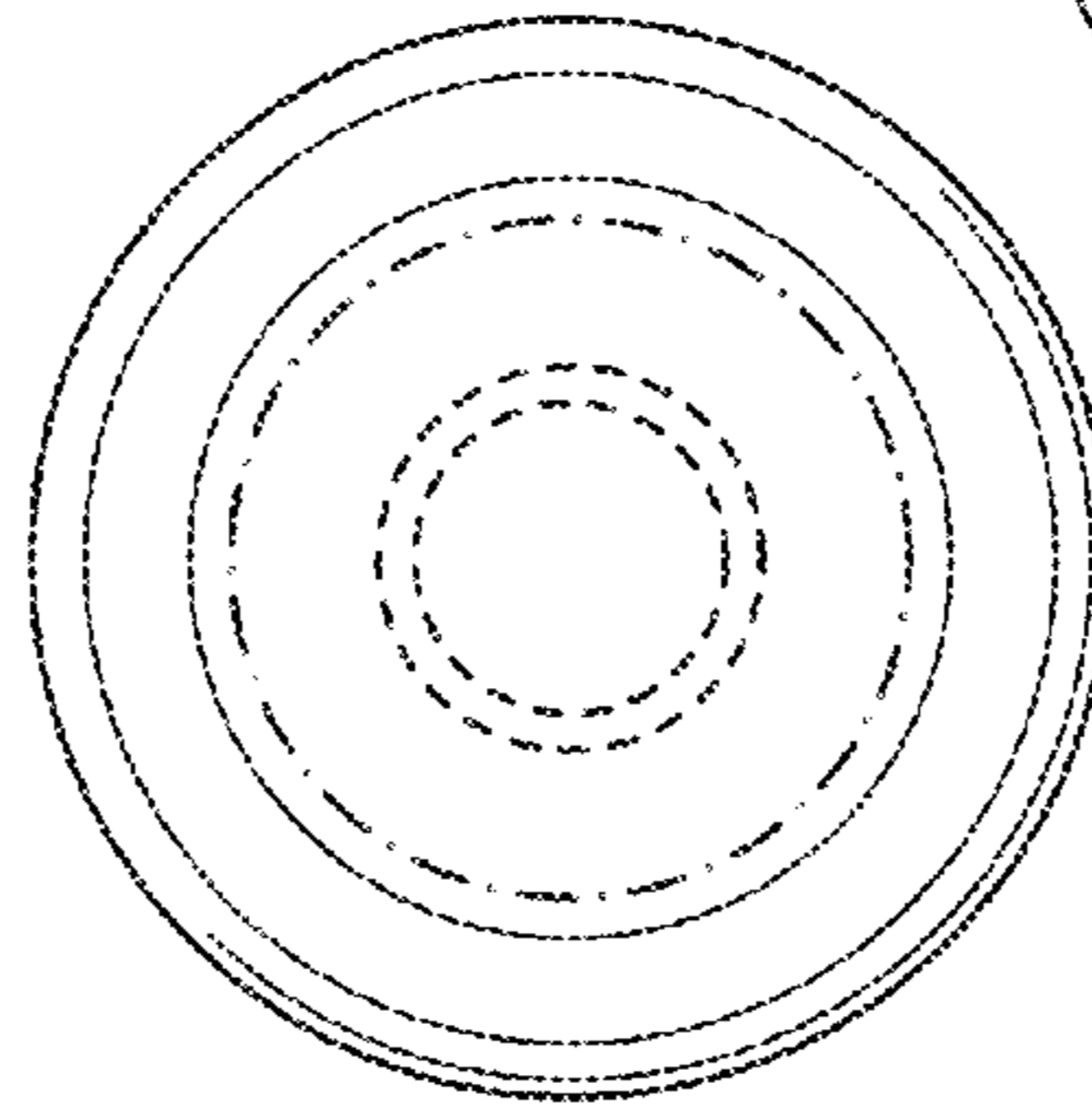


FIG. 41



FIG. 42