



US00D703535S

(12) **United States Design Patent**  
**Yamada**

(10) **Patent No.:** **US D703,535 S**

(45) **Date of Patent:** **\*\* Apr. 29, 2014**

(54) **LID FOR A CONTAINER**

(76) Inventor: **Kikuo Yamada**, Tokyo (JP)

(\*\*) Term: **14 Years**

(21) Appl. No.: **29/406,593**

(22) Filed: **Nov. 16, 2011**

(30) **Foreign Application Priority Data**

May 23, 2011 (JP) ..... 2011-011498

(51) **LOC (10) Cl.** ..... **09-07**

(52) **U.S. Cl.**  
CPC ..... **A47K 10/421** (2013.01); **B65D 83/0835**  
(2013.01)  
USPC ..... **D9/447**; D9/449

(58) **Field of Classification Search**

USPC ..... D9/449, 447, 438, 435, 434, 734, 730,  
D9/417; D7/510, 511, 396.2, 392.1;  
229/906.1; 220/812, 713, 268, 254.9,  
220/254.3, 253; D6/518; 221/63

See application file for complete search history.

(56) **References Cited**

**U.S. PATENT DOCUMENTS**

D307,555 S \* 5/1990 Haenni et al. .... D9/447  
D444,063 S \* 6/2001 Buck et al. .... D9/447  
D471,456 S \* 3/2003 Young et al. .... D9/447  
D531,499 S \* 11/2006 Zaidman ..... D9/434  
D531,897 S \* 11/2006 Evans et al. .... D9/435  
D671,426 S \* 11/2012 Pickens et al. .... D9/734

2005/0205594 A1\* 9/2005 Evans et al. .... 221/63  
2006/0180596 A1\* 8/2006 Young et al. .... 221/63  
2007/0210098 A1\* 9/2007 Evans et al. .... 221/63

\* cited by examiner

*Primary Examiner* — Robert M Spear

(74) *Attorney, Agent, or Firm* — Oliff PLC

(57) **CLAIM**

The ornamental design for a lid for a container, as shown and described.

**DESCRIPTION**

FIG. 1 is a front view of a lid for a container showing my new design;

FIG. 2 is a rear view thereof;

FIG. 3 is a right side view thereof;

FIG. 4 is a left side view thereof;

FIG. 5 is a top plane view thereof with a cover in a closed position;

FIG. 6 is a top plane view thereof with a cover in an open position;

FIG. 7 is a bottom view thereof;

FIG. 8 is a sectional view taken along line 8-8 in FIG. 6;

FIG. 9 is a sectional view taken along line 9-9 in FIG. 6; and,

FIG. 10 is a perspective view showing the lid of a container of FIG. 1 in a state of use.

The unevenly spaced broken lines consisting of a long and short dash depict the bounds of the claim, whereas the evenly spaced broken lines depict environmental subject matter. None of the broken lines form a part of the claimed design.

**1 Claim, 10 Drawing Sheets**

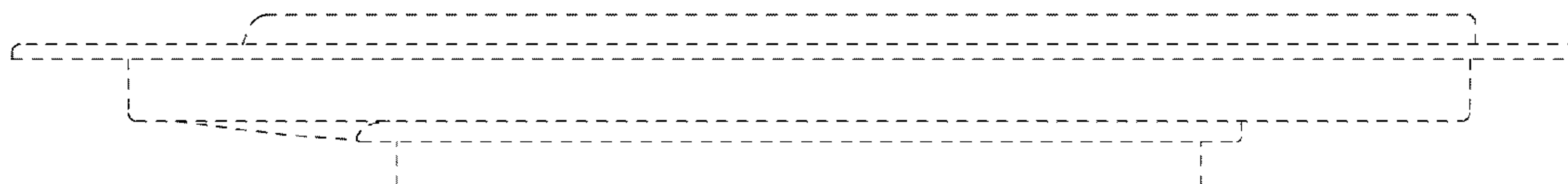


Fig. 1

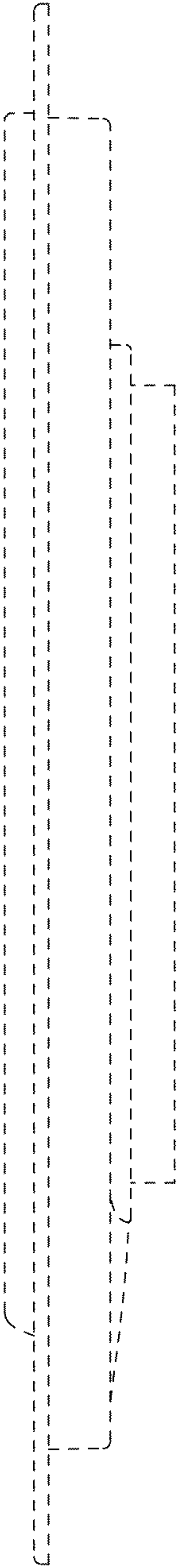


Fig. 2

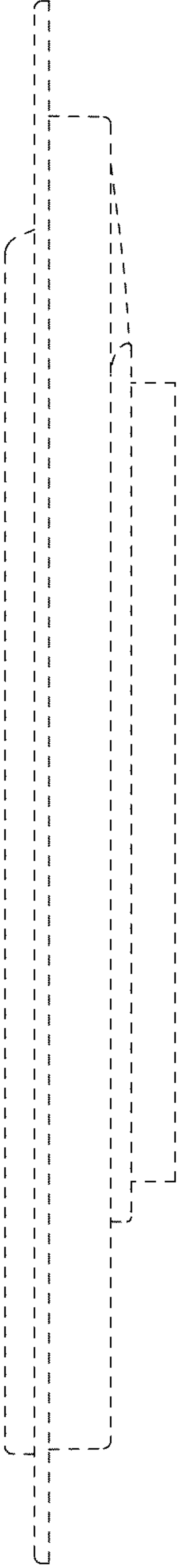


Fig. 3

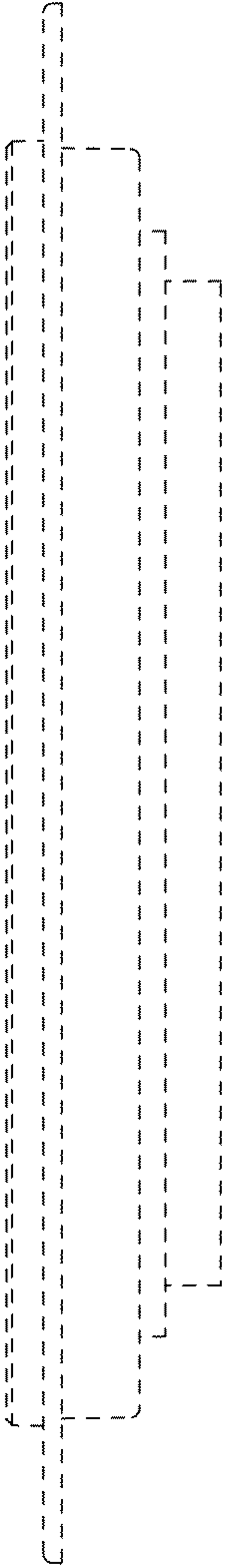
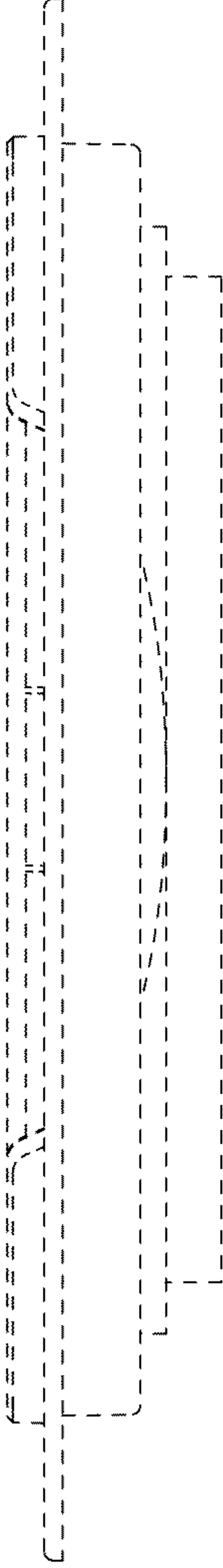


Fig. 4



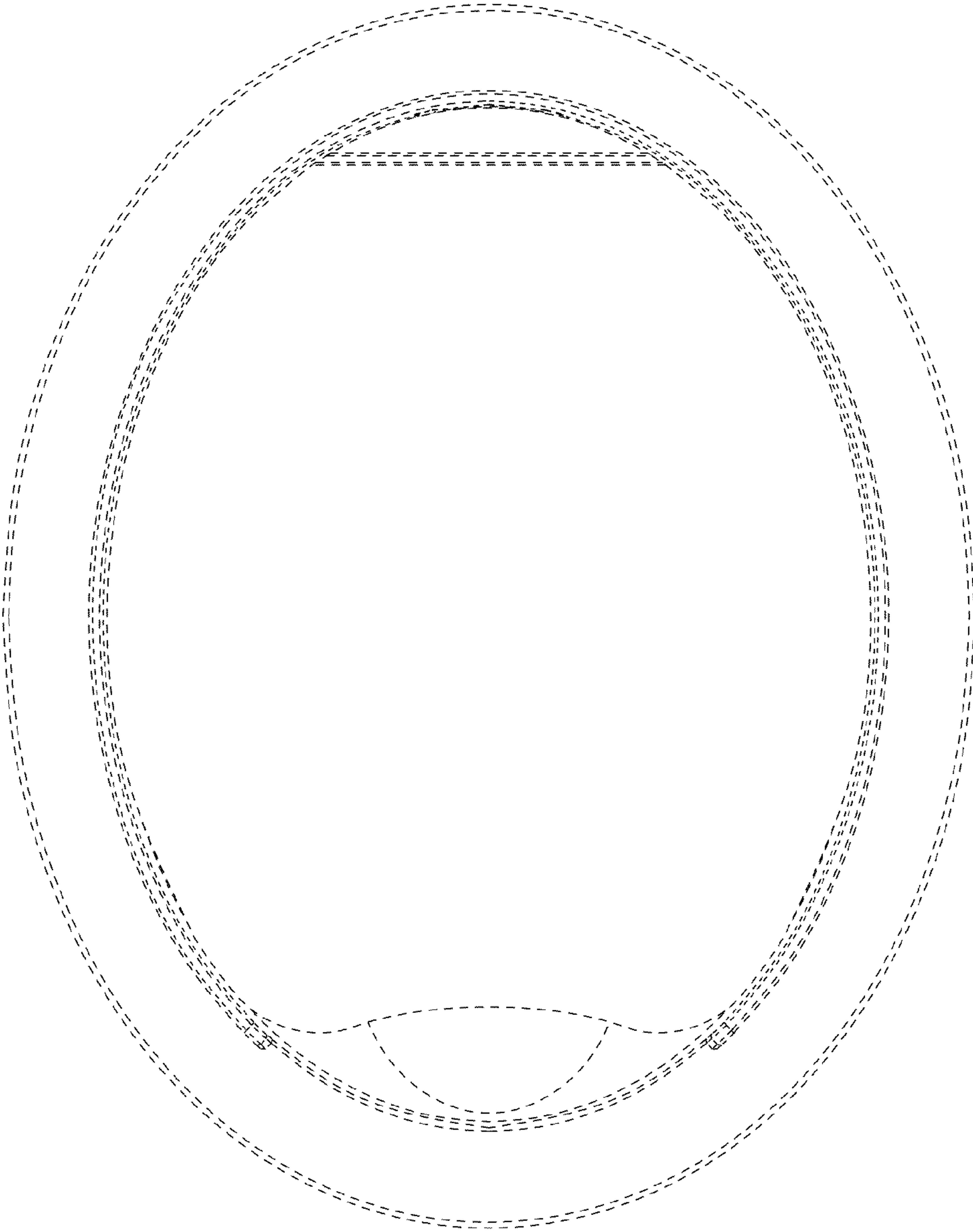


Fig. 5

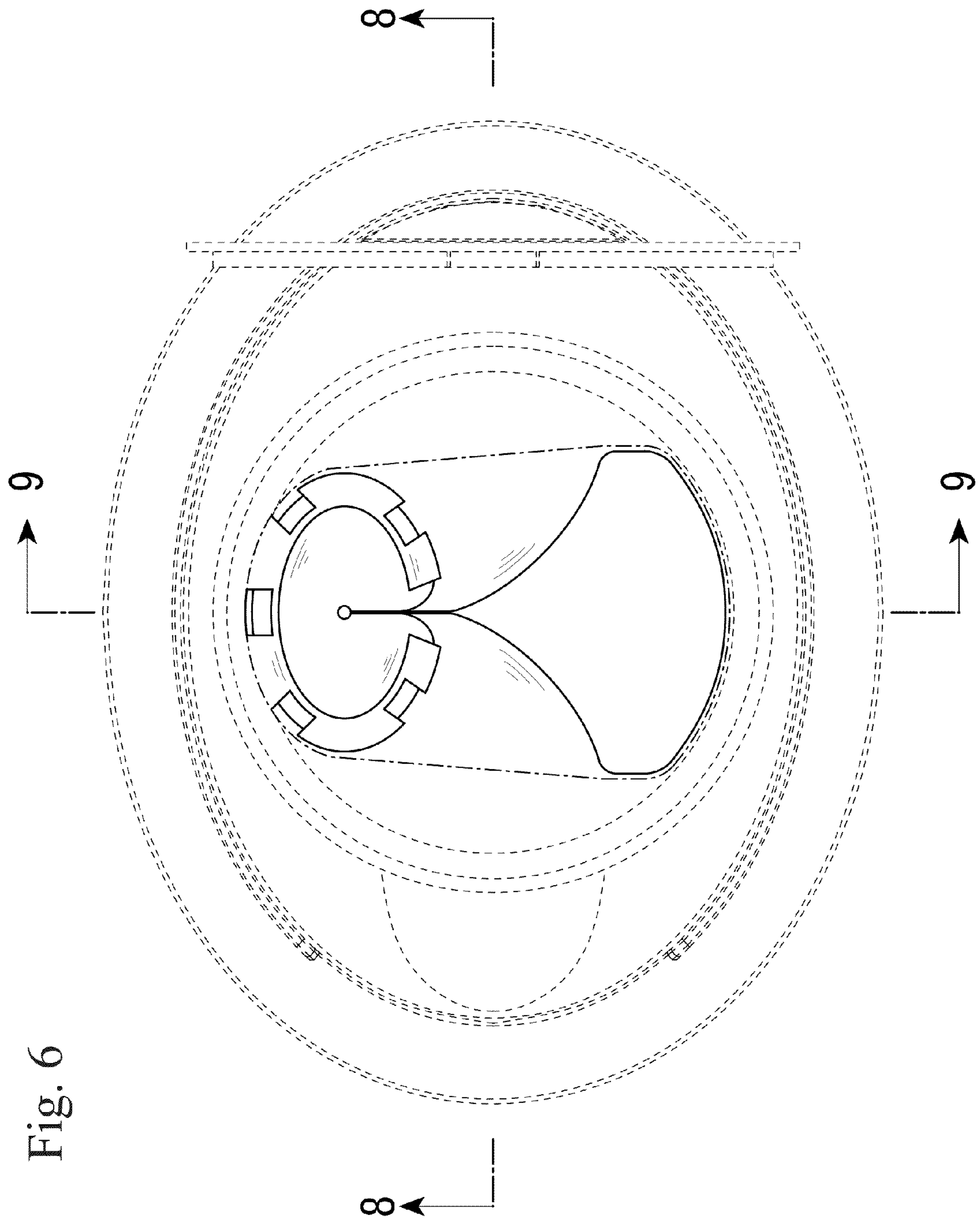


Fig. 6

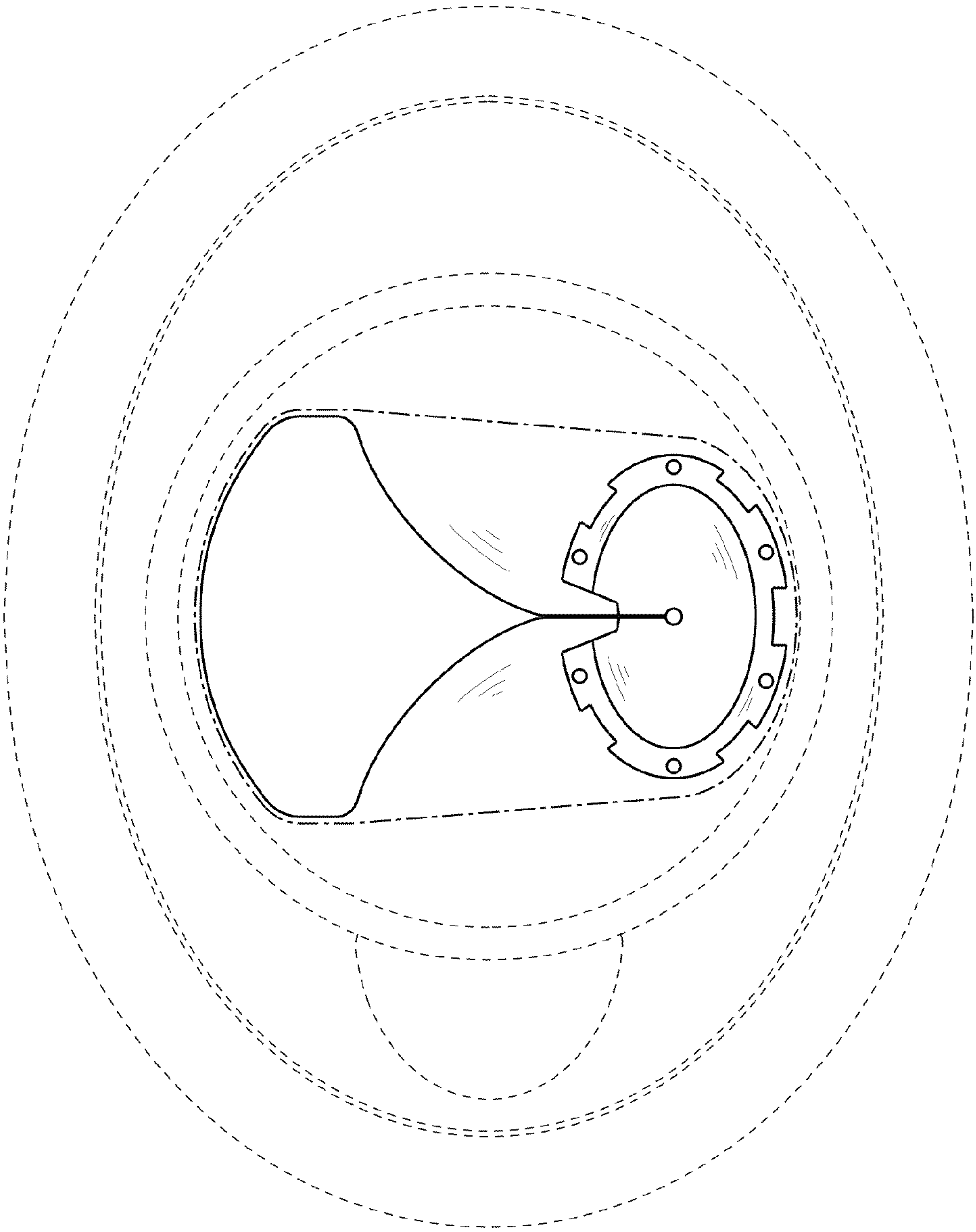


Fig. 7



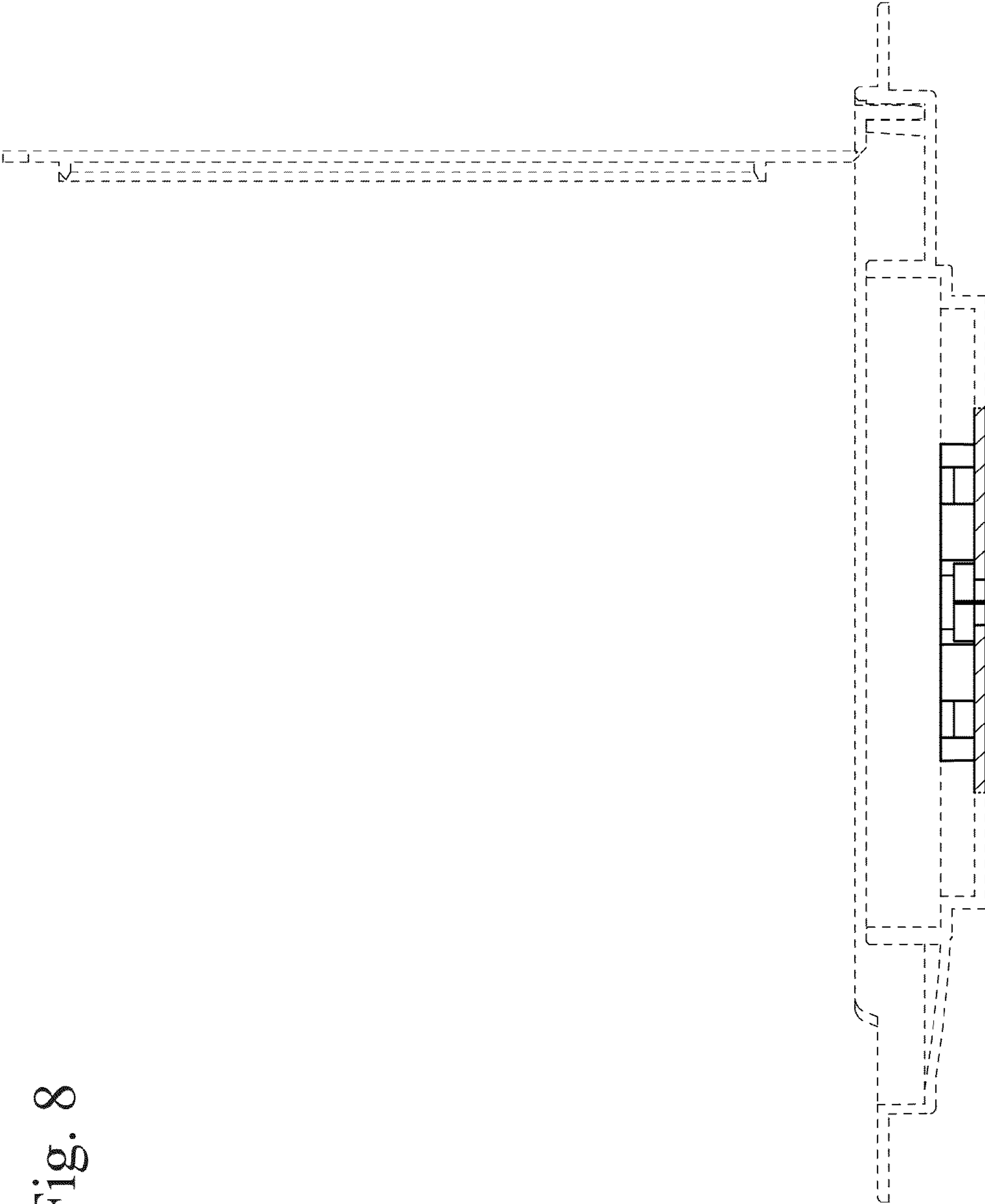
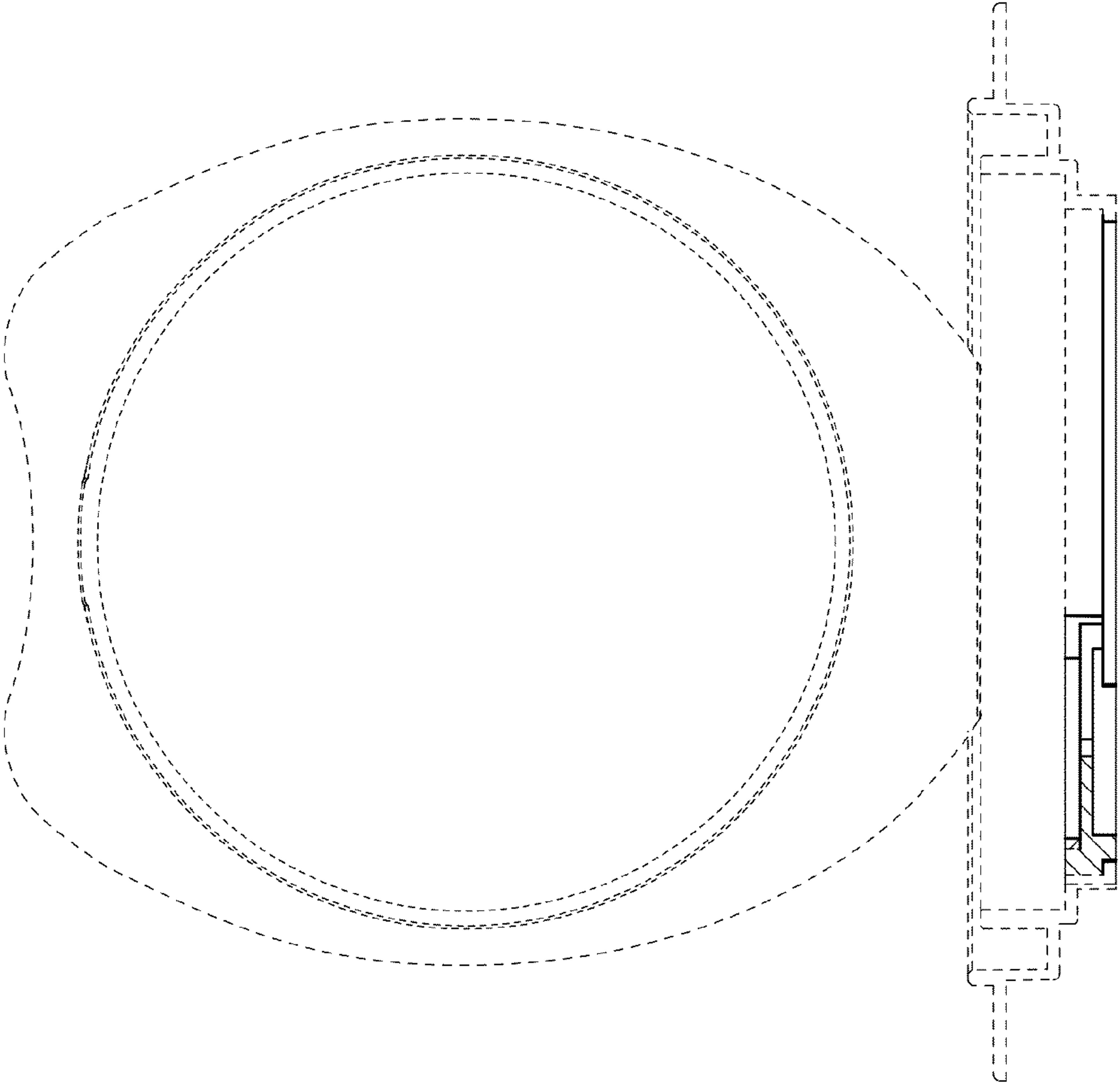


Fig. 8

Fig. 9



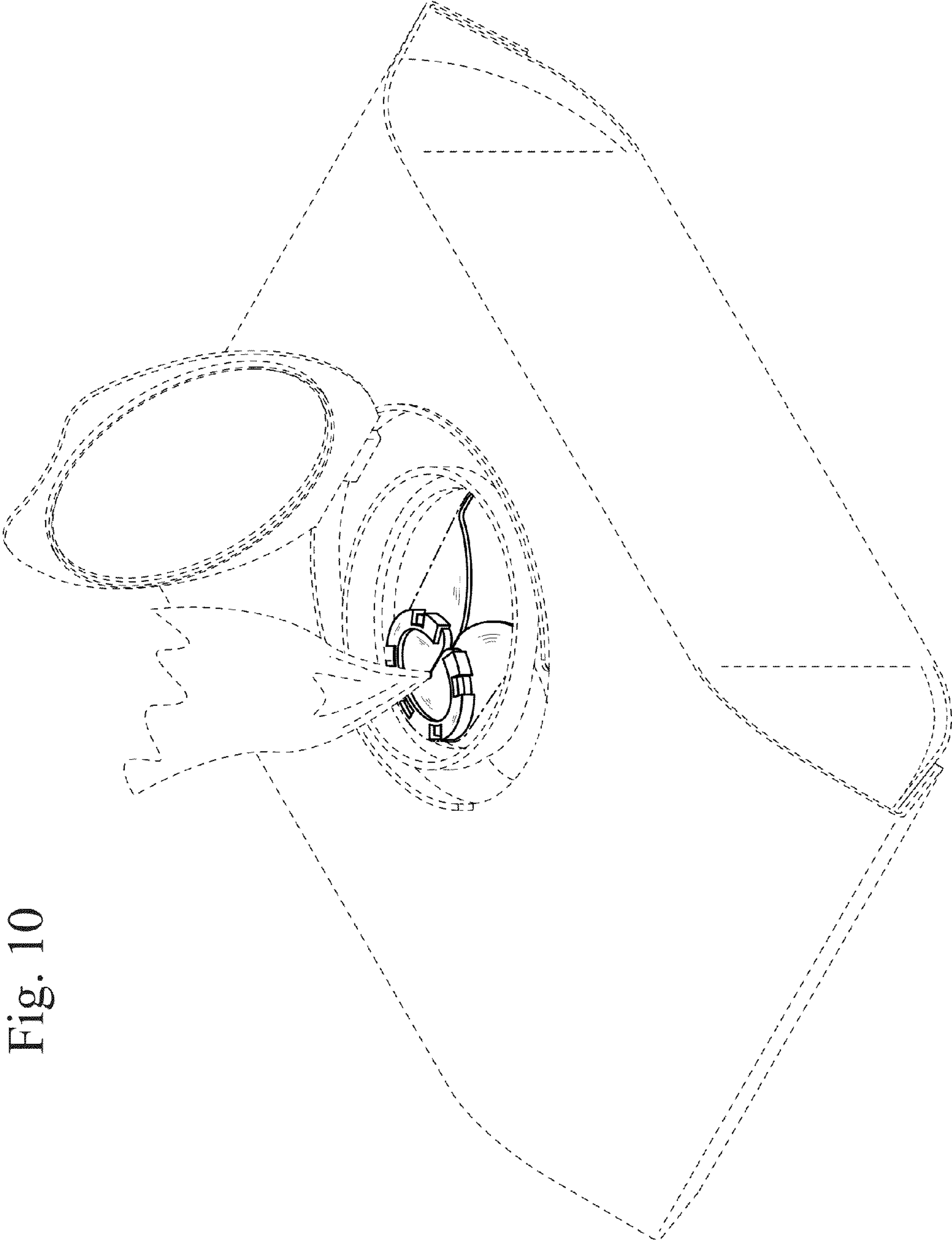


Fig. 10