



US00D703530S

(12) **United States Design Patent**
Caldecourt et al.

(10) **Patent No.:** **US D703,530 S**

(45) **Date of Patent:** **** Apr. 29, 2014**

(54) **PACKAGING**

(75) Inventors: **Joshua Caldecourt**, Fort Collins, CO
(US); **Ariana Schiff**, Fort Collins, CO
(US)

(73) Assignee: **Otter Products, LLC**, Fort Collins, CO
(US)

(**) Term: **14 Years**

(21) Appl. No.: **29/417,064**

(22) Filed: **Mar. 29, 2012**

(51) **LOC (10) Cl.** **09-03**

(52) **U.S. Cl.**
USPC **D9/432**

(58) **Field of Classification Search**
USPC D9/414, 416, 418, 420-424, 430-433,
D9/455-456; D3/272, 273, 302; 206/267,
206/269, 270, 273, 299, 737, 740, 822;
229/100, 101, 101.3, 106, 108-122
See application file for complete search history.

(56) **References Cited**

U.S. PATENT DOCUMENTS

3,125,258	A	*	3/1964	Watts	222/480
D250,171	S	*	11/1978	Yoshimoto	D3/203.2
D293,047	S	*	12/1987	Highfield	D6/335
D306,402	S	*	3/1990	Colla	D9/414
D454,305	S	*	3/2002	Bryan et al.	D9/433
D454,495	S	*	3/2002	Bryan et al.	D9/433
D461,404	S	*	8/2002	Steiger	D9/430
D473,462	S	*	4/2003	Green et al.	D9/430

D486,731	S	*	2/2004	Meeker et al.	D9/416
D509,728	S	*	9/2005	Kato	D9/415
D519,832	S	*	5/2006	Demathieu et al.	D9/430
D536,964	S	*	2/2007	Smith et al.	D9/430
D540,667	S	*	4/2007	Duranthon	D9/430
D548,591	S	*	8/2007	Learn et al.	D9/432
D551,572	S	*	9/2007	Hsu	D9/730
D568,763	S	*	5/2008	Keberlein	D9/734
D578,875	S	*	10/2008	Kent et al.	D9/418
D582,263	S	*	12/2008	Smith et al.	D9/414
D614,022	S	*	4/2010	Melnick	D9/415
D640,549	S	*	6/2011	Atkin et al.	D9/431
D640,551	S	*	6/2011	Perkins-Stanaford et al.	D9/431
D666,487	S	*	9/2012	D'Amato	D9/430
2006/0144742	A1	*	7/2006	Ours	206/497

* cited by examiner

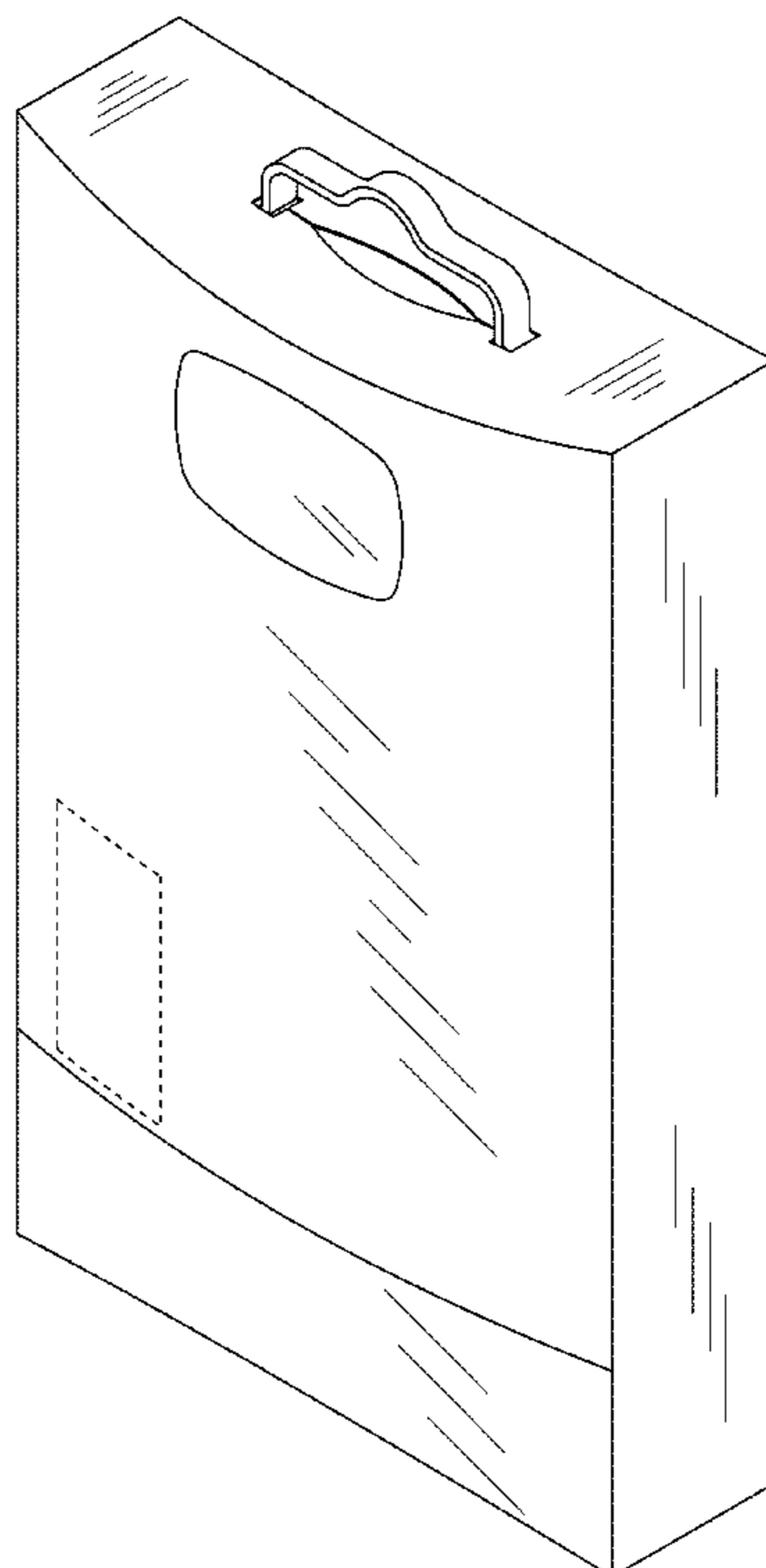
Primary Examiner — Susan Bennett Hattan
Assistant Examiner — Vy Koenig

(57) **CLAIM**
The ornamental design for packaging, as shown and described.

DESCRIPTION

FIG. 1 is a front isometric view of packaging showing our new design;
FIG. 2 is a front view thereof;
FIG. 3 is a right view thereof; and,
FIG. 4 is a top view thereof.
The even broken lines depict unclaimed environment. The dot-dash lines represent boundaries of the claim. All broken lines form no part of the claimed design.

1 Claim, 4 Drawing Sheets



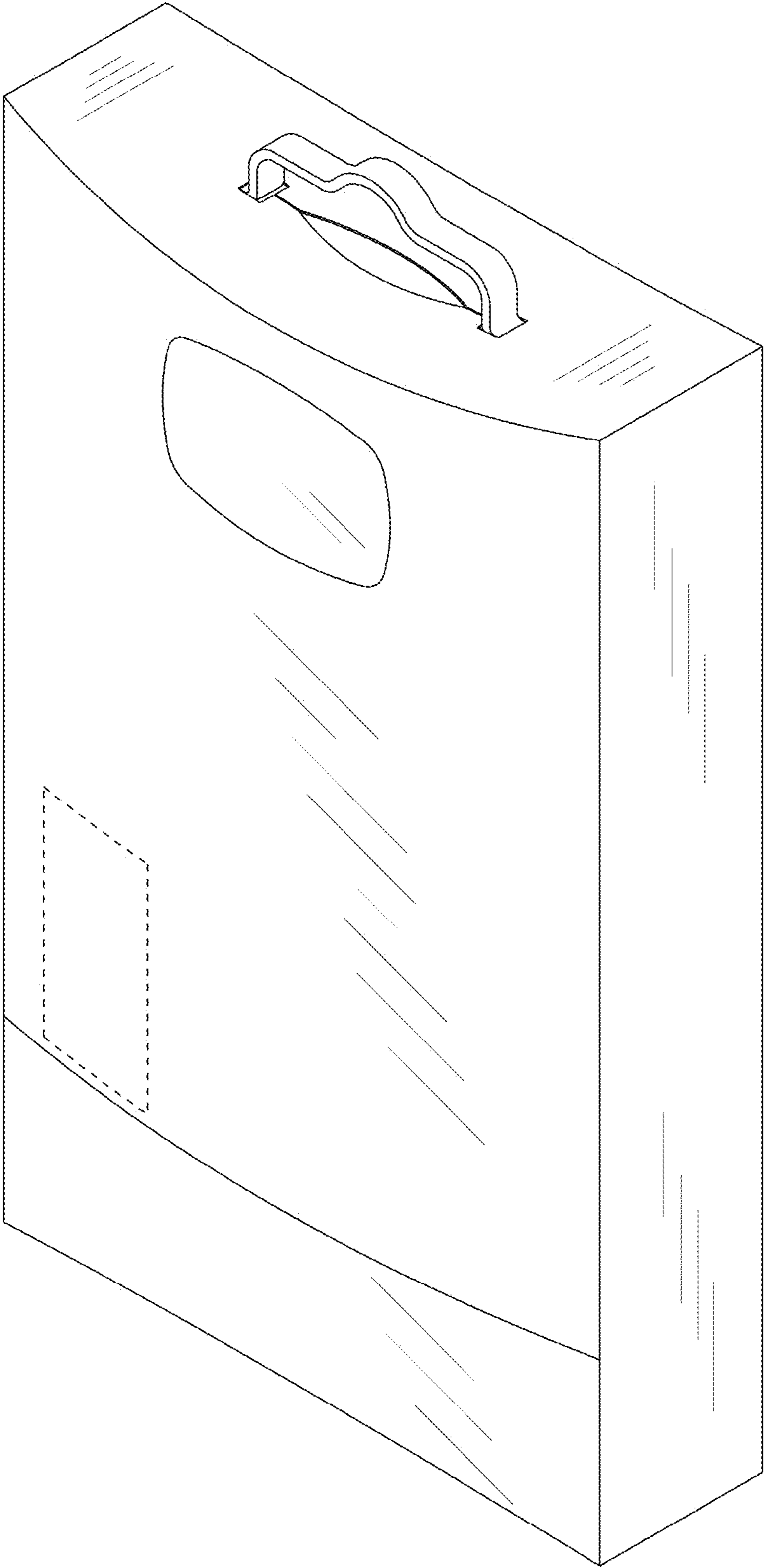


FIG. 1

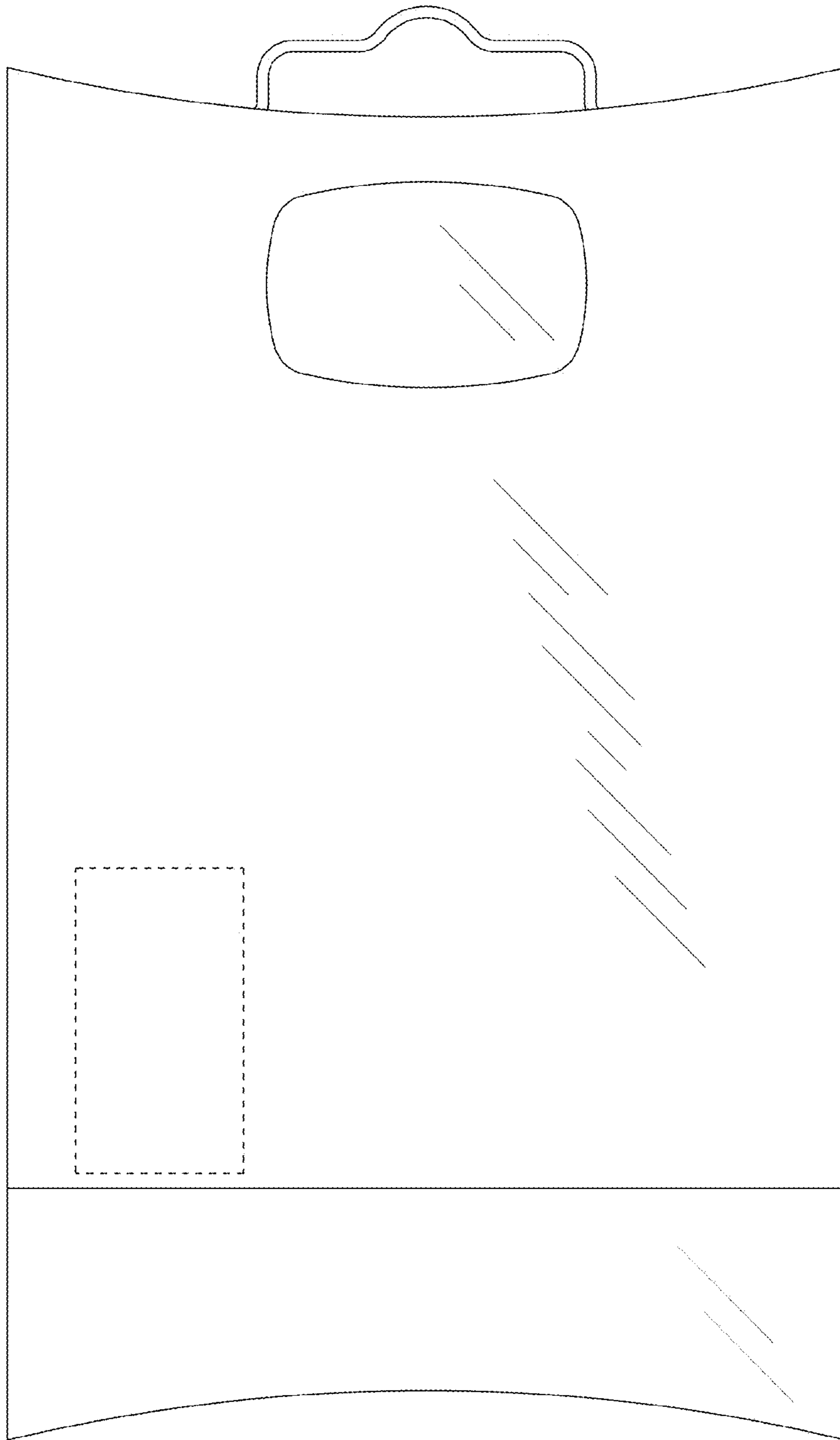


FIG. 2

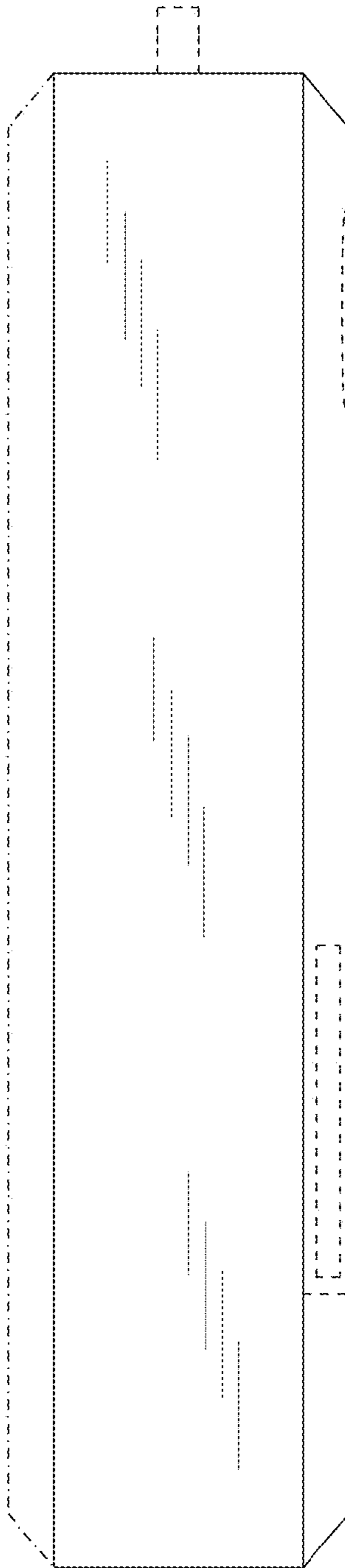


FIG. 3

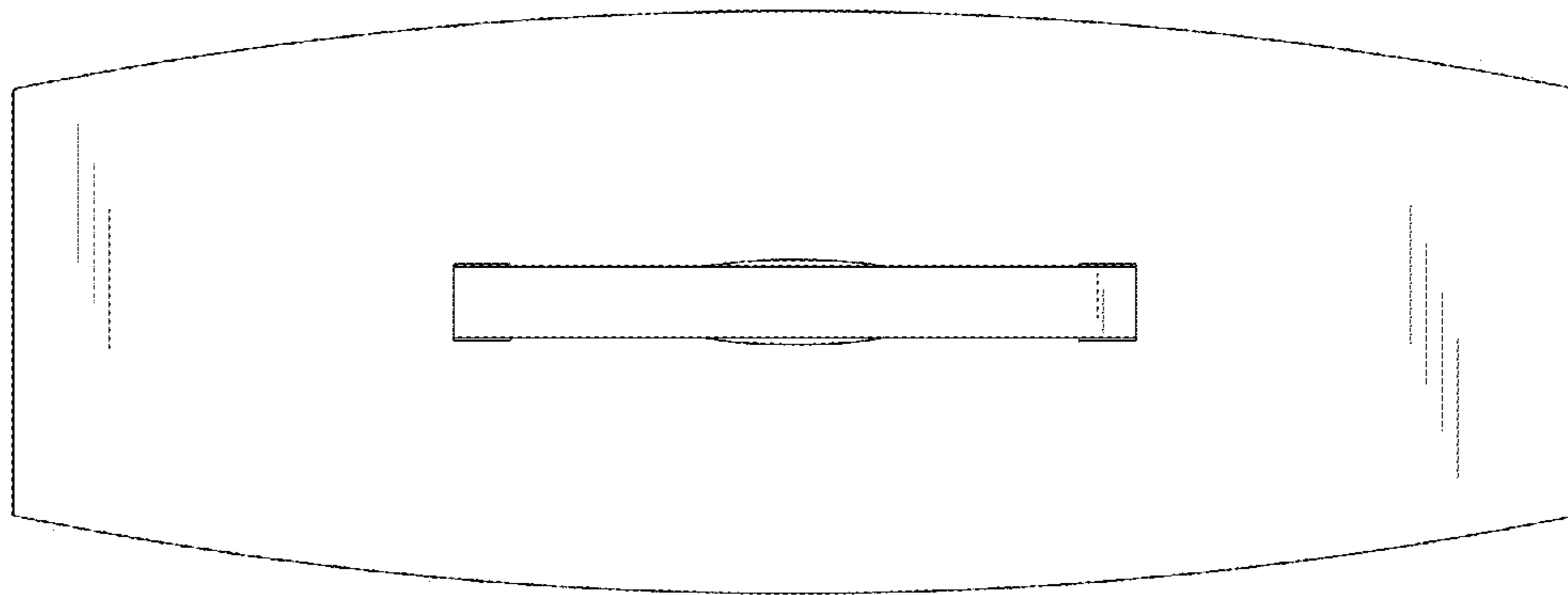


FIG. 4