



US00D703527S

(12) **United States Design Patent**  
**Fuller et al.**

(10) **Patent No.:** **US D703,527 S**  
(45) **Date of Patent:** **\*\* Apr. 29, 2014**

(54) **PACKAGING SLEEVE**

(75) Inventors: **Kasey Fuller**, Council Bluffs, IA (US);  
**Benjamin Schacht**, Omaha, NE (US);  
**Sara Teasdale Belskis**, Grayslake, IL  
(US); **Jeffrey P. Burnham**, Lake Forest,  
IL (US); **Lori Cerwin**, Gurnee, IL (US)

(73) Assignee: **ConAgra Foods RDM, Inc.**, Omaha,  
NE (US)

(\*\*) Term: **14 Years**

(21) Appl. No.: **29/425,671**

(22) Filed: **Jun. 26, 2012**

(51) **LOC (10) Cl.** ..... **09-03**

(52) **U.S. Cl.**  
USPC ..... **D9/418**

(58) **Field of Classification Search**  
USPC ..... D9/414, 415, 416, 417, 418, 419, 420,  
D9/424, 430, 431-433, 440, 457, 346, 732,  
D9/703, 423, 772, 776-779; D6/682.4;  
D11/207; 40/124.01, 124.16, 124.191;  
206/39, 337, 538, 704, 461, 462, 463,  
206/471; 229/72, 75, 113, 116  
See application file for complete search history.

(56) **References Cited**

**U.S. PATENT DOCUMENTS**

D289,974 S \* 5/1987 Hamilton et al. .... D9/754  
D349,052 S \* 7/1994 Goldstein et al. .... D9/643

D352,453 S \* 11/1994 Bacchetti et al. .... D9/418  
D477,217 S \* 7/2003 Riedi ..... D9/418  
D524,155 S \* 7/2006 Coppola et al. .... D9/430  
D568,732 S \* 5/2008 Kovac ..... D9/418  
D578,876 S \* 10/2008 Ambelang et al. .... D9/418  
D604,603 S \* 11/2009 Kohno ..... D9/418  
D608,634 S \* 1/2010 Riedi ..... D9/432  
D646,163 S \* 10/2011 Liebowitz et al. .... D9/435

\* cited by examiner

*Primary Examiner* — Robert M Spear

*Assistant Examiner* — Rhea Shields

(74) *Attorney, Agent, or Firm* — Advent, LLP; Ryan T. Grace

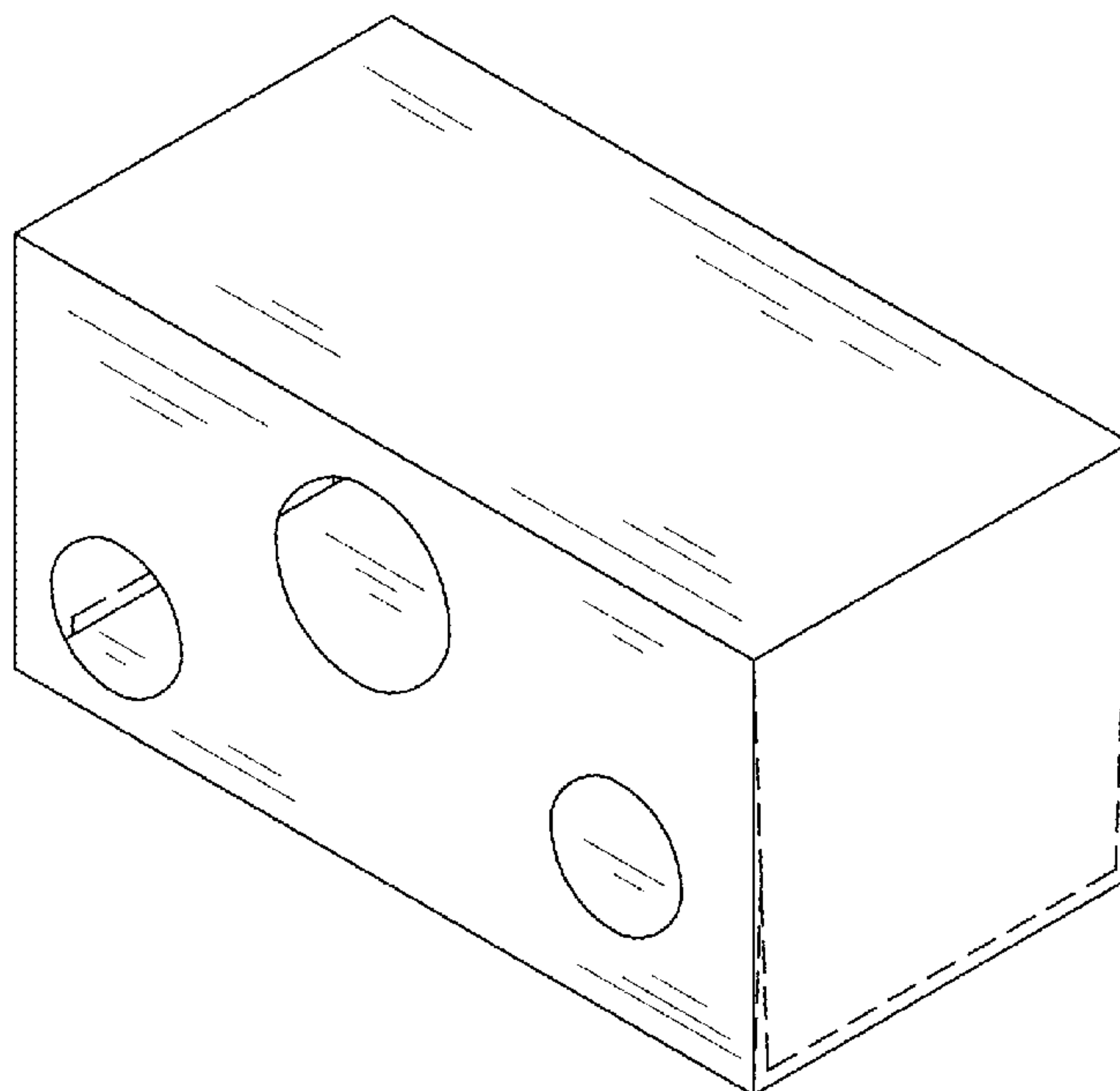
(57) **CLAIM**

The ornamental design for a packaging sleeve, as shown and described.

**DESCRIPTION**

FIG. 1 is a perspective view of a packaging sleeve.  
FIG. 2 is a first side plan view of the packaging sleeve of FIG. 1.  
FIG. 3 is a second side plan view of the packaging sleeve of FIG. 1.  
FIG. 4 is a third side plan view of the packaging sleeve of FIG. 1; and,  
FIG. 5 is a fourth side plan view of the packaging sleeve of FIG. 1.  
The broken lines in the figures illustrate unclaimed environment only and form no part of the claimed design; the unshaded surfaces form no part of the claimed design.

**1 Claim, 3 Drawing Sheets**



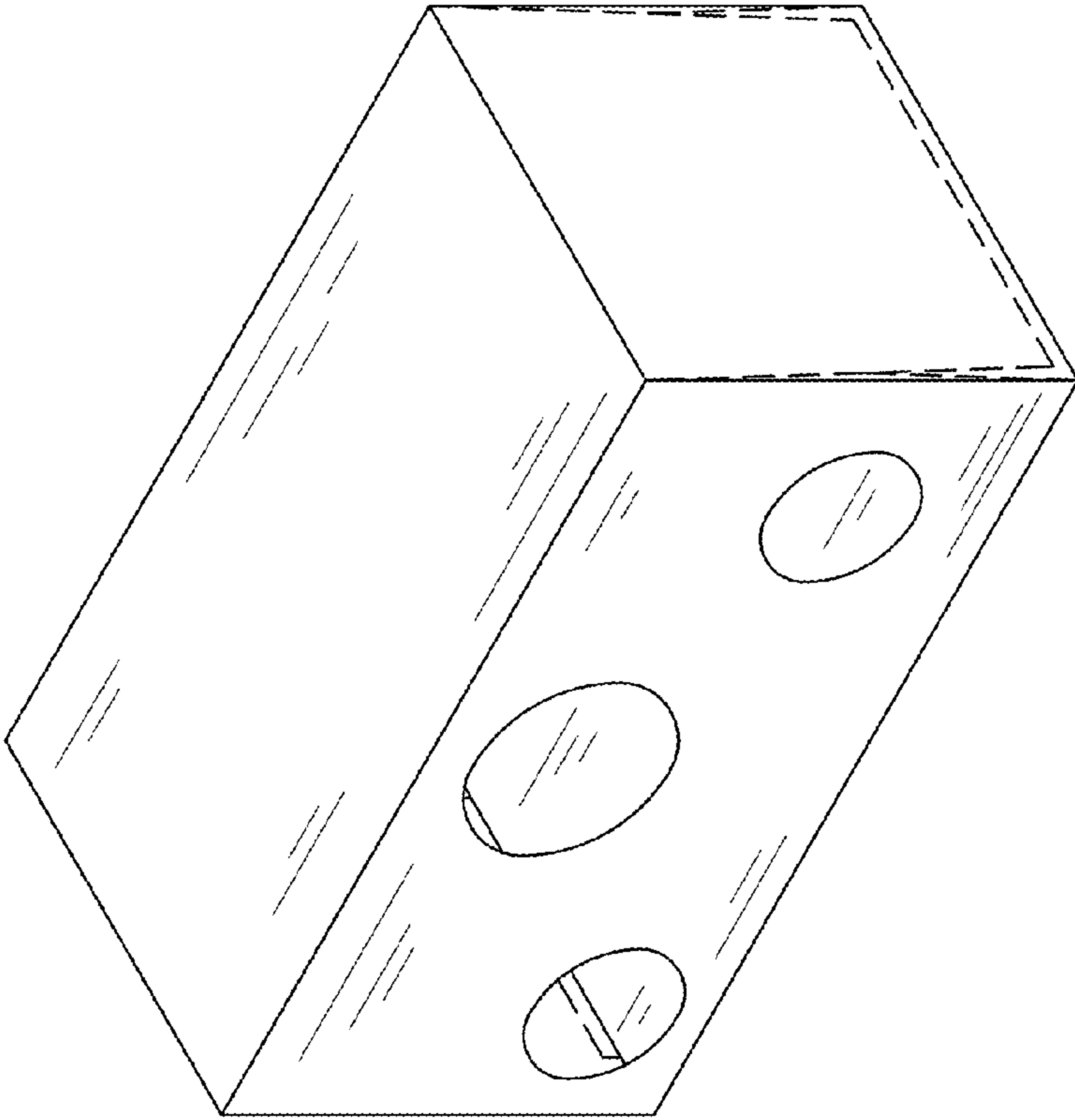
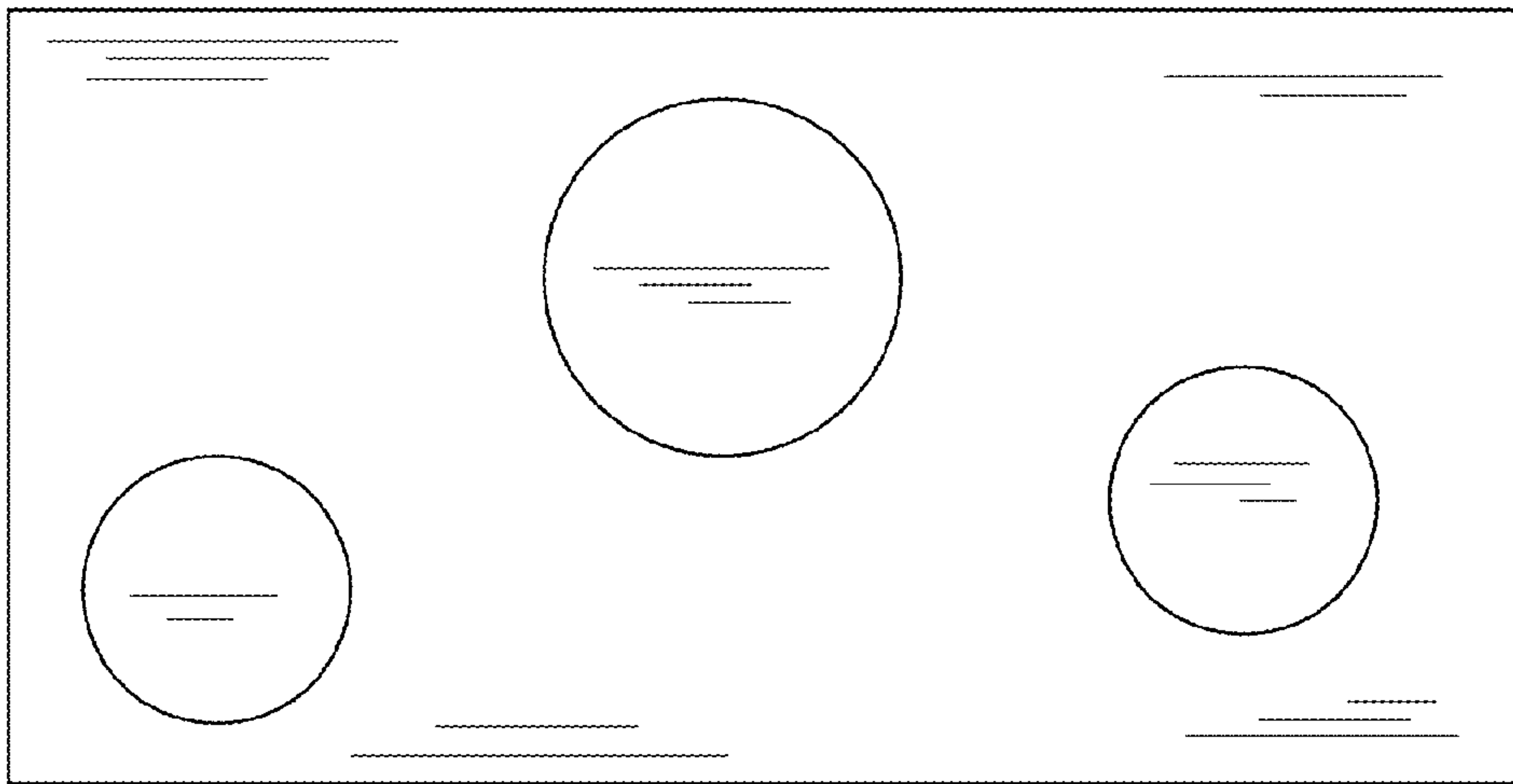
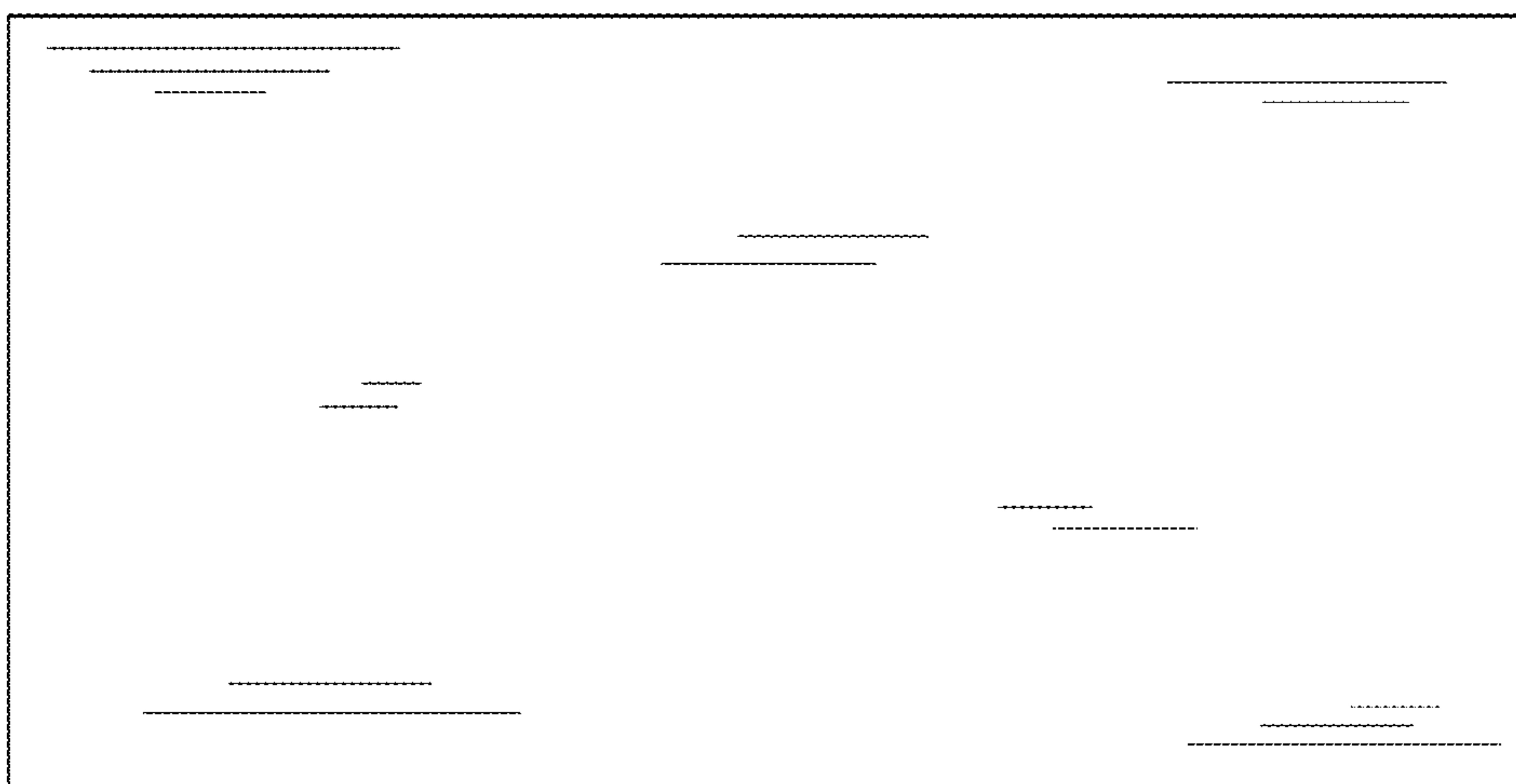


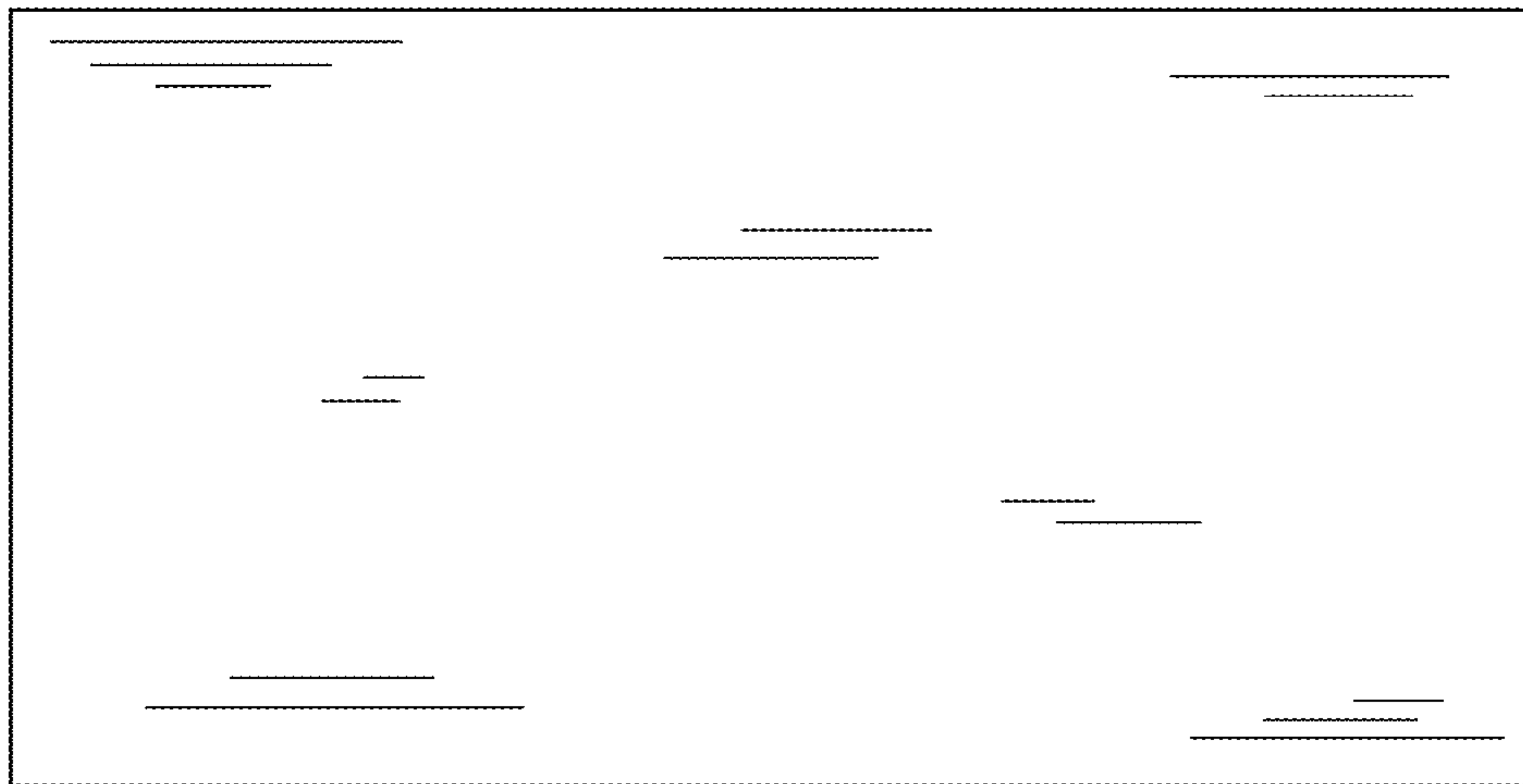
FIG. 1



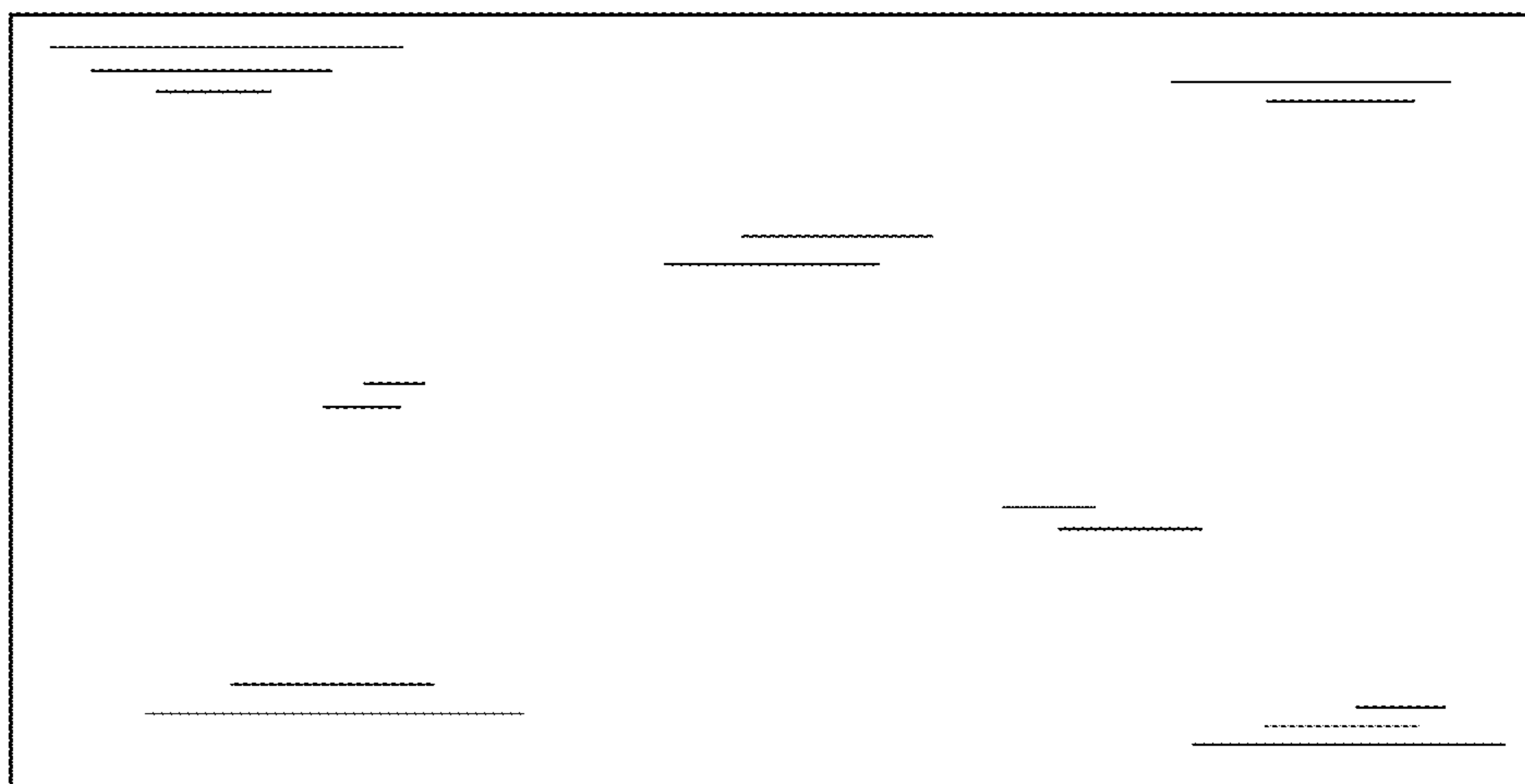
**FIG. 2**



**FIG. 3**



**FIG. 4**



**FIG. 5**