



US00D703524S

(12) **United States Design Patent**  
**Sakoda**

(10) **Patent No.:** **US D703,524 S**

(45) **Date of Patent:** **\*\* Apr. 29, 2014**

(54) **PRESS NUT**

(71) Applicant: **Newfrey LLC**, Newark, DE (US)

(72) Inventor: **Kanji Sakoda**, Toyohashi (JP)

(73) Assignee: **Newfrey LLC**, Newark, DE (US)

(\*\*) Term: **14 Years**

(21) Appl. No.: **29/465,697**

(22) Filed: **Aug. 30, 2013**

(30) **Foreign Application Priority Data**

Mar. 1, 2013 (JP) ..... 2013-004470

(51) **LOC (10) Cl.** ..... **08-08**

(52) **U.S. Cl.**  
USPC ..... **D8/397**

(58) **Field of Classification Search**  
USPC ..... D8/397, 394, 382, 349, 356, 399, 363,  
D8/352; 403/291, 309, 300, 301, 310, 311,  
403/403; 411/427, 429, 432, 918, 180  
See application file for complete search history.

(56) **References Cited**

**U.S. PATENT DOCUMENTS**

D32,659 S \* 5/1900 Ernest ..... D8/397  
D32,793 S \* 6/1900 Fauber ..... D8/399  
687,774 A \* 12/1901 Oliver ..... 411/326  
D57,407 S \* 3/1921 Walker ..... D23/269

2,764,886 A \* 10/1956 Wiesmann ..... 52/105  
3,213,914 A \* 10/1965 Baumle et al. .... 411/179  
D218,674 S \* 9/1970 Ernest ..... D8/387  
D278,594 S \* 4/1985 Lye ..... D8/25  
5,092,725 A \* 3/1992 Aittama ..... 411/190  
D364,882 S \* 12/1995 Junkers ..... D15/199  
5,622,208 A \* 4/1997 Vinson ..... 138/89  
D453,000 S \* 1/2002 Shinjo et al. .... D8/397  
D520,856 S \* 5/2006 Osiecki et al. .... D8/312  
D520,859 S \* 5/2006 Osiecki et al. .... D8/321  
D549,091 S \* 8/2007 McIntyre et al. .... D8/399  
D557,132 S \* 12/2007 Shinjo ..... D8/397  
D690,581 S \* 10/2013 Brander ..... D8/349

\* cited by examiner

*Primary Examiner* — Cynthia Underwood

(74) *Attorney, Agent, or Firm* — Michael P. Leary

(57) **CLAIM**

The ornamental design for a press nut, as shown and described.

**DESCRIPTION**

FIG. 1 is a perspective view of a press nut according to the present invention.

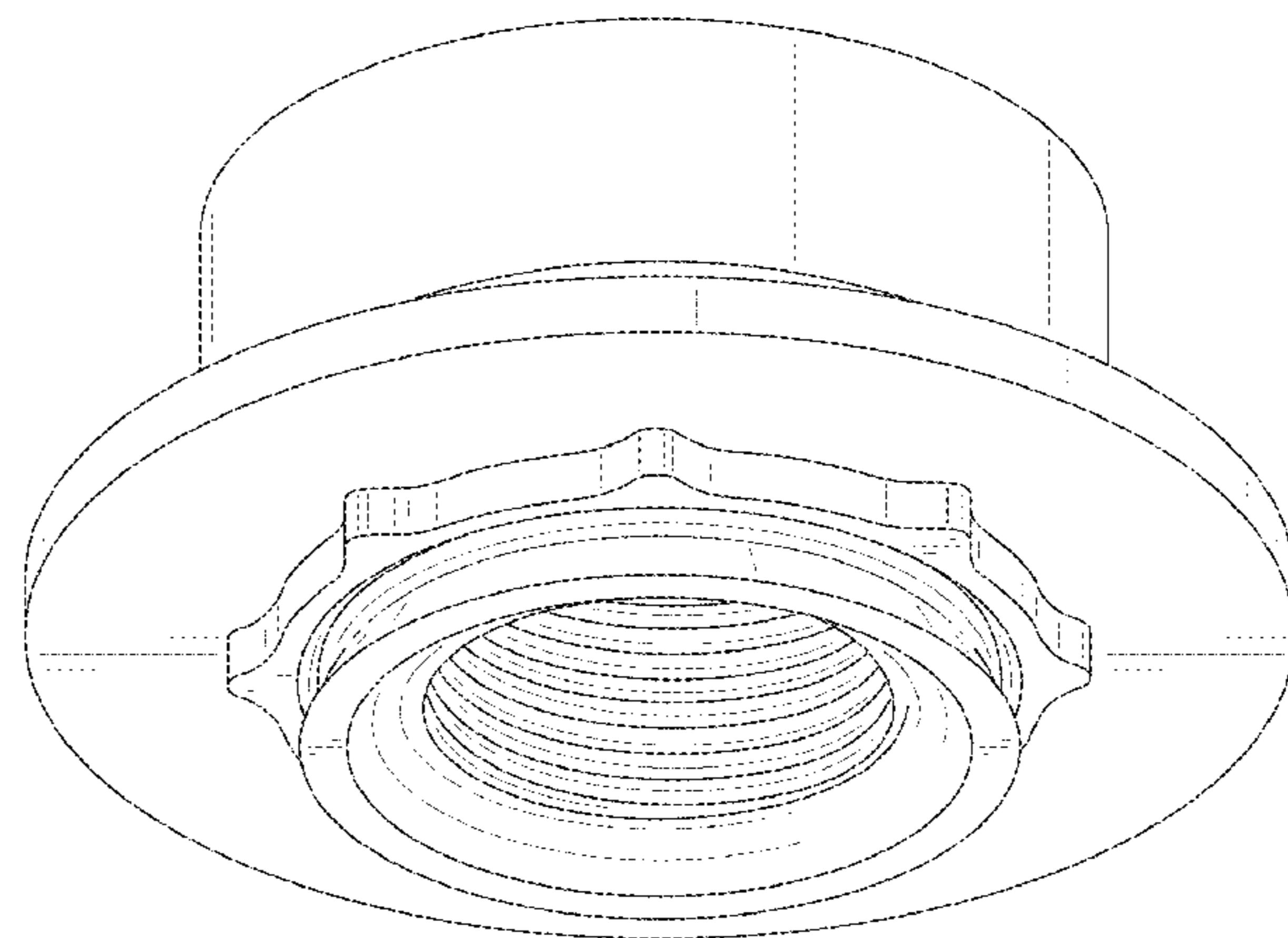
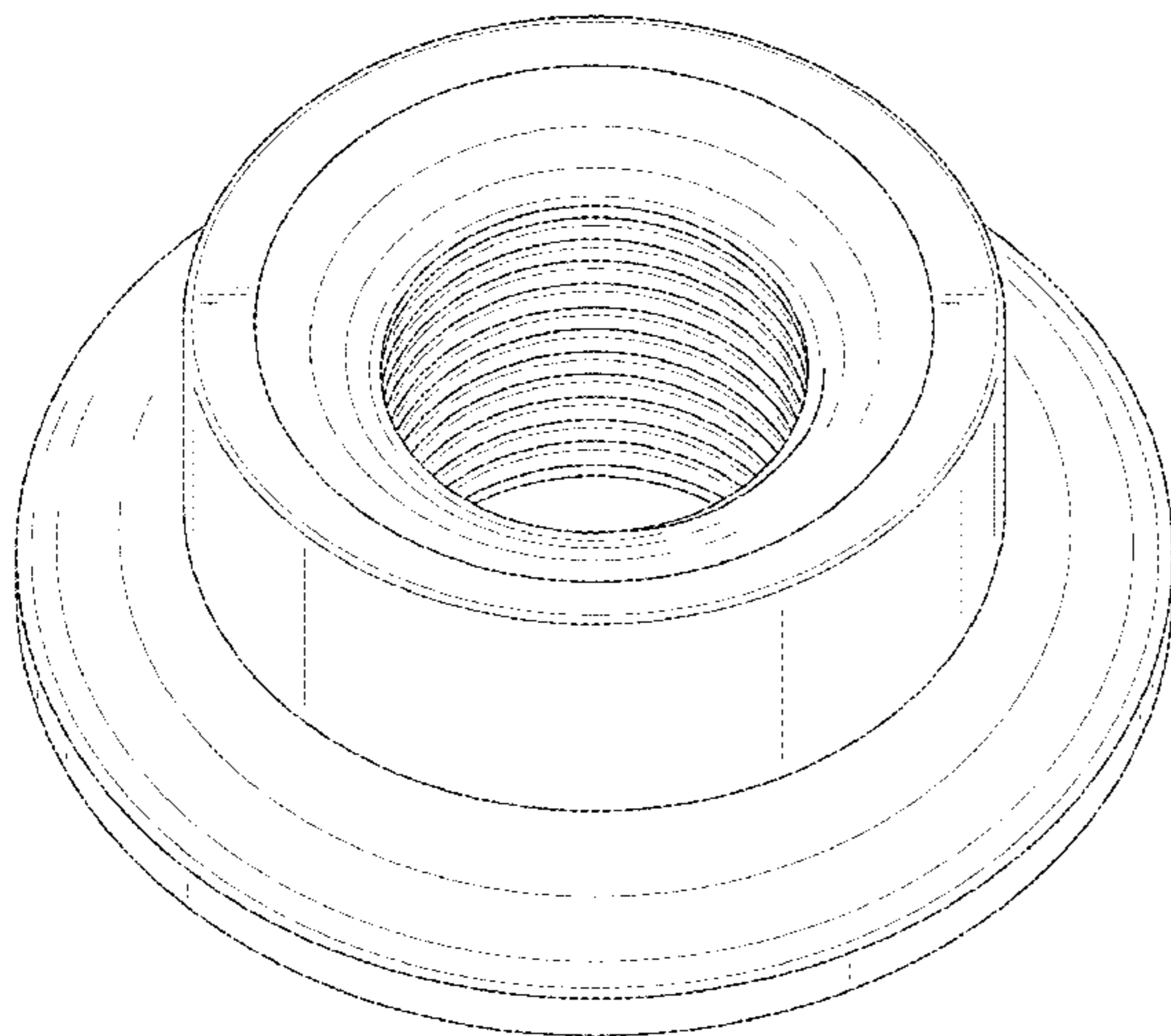
FIG. 2 is a side view with all side views being the same thereof.

FIG. 3 is a top view thereof.

FIG. 4 is a bottom view thereof; and,

FIG. 5 is a bottom perspective view thereof.

**1 Claim, 5 Drawing Sheets**



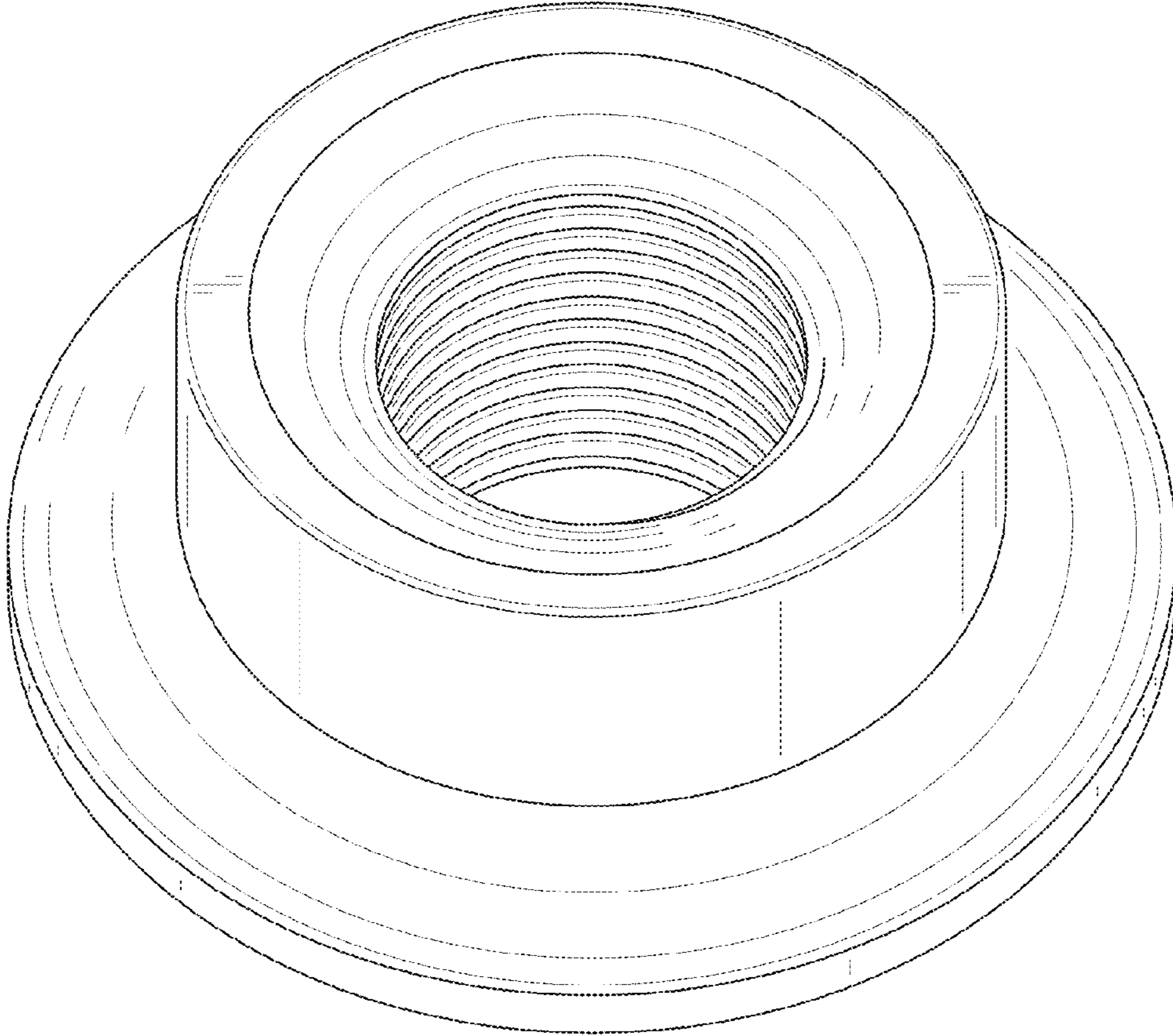


FIG. 1

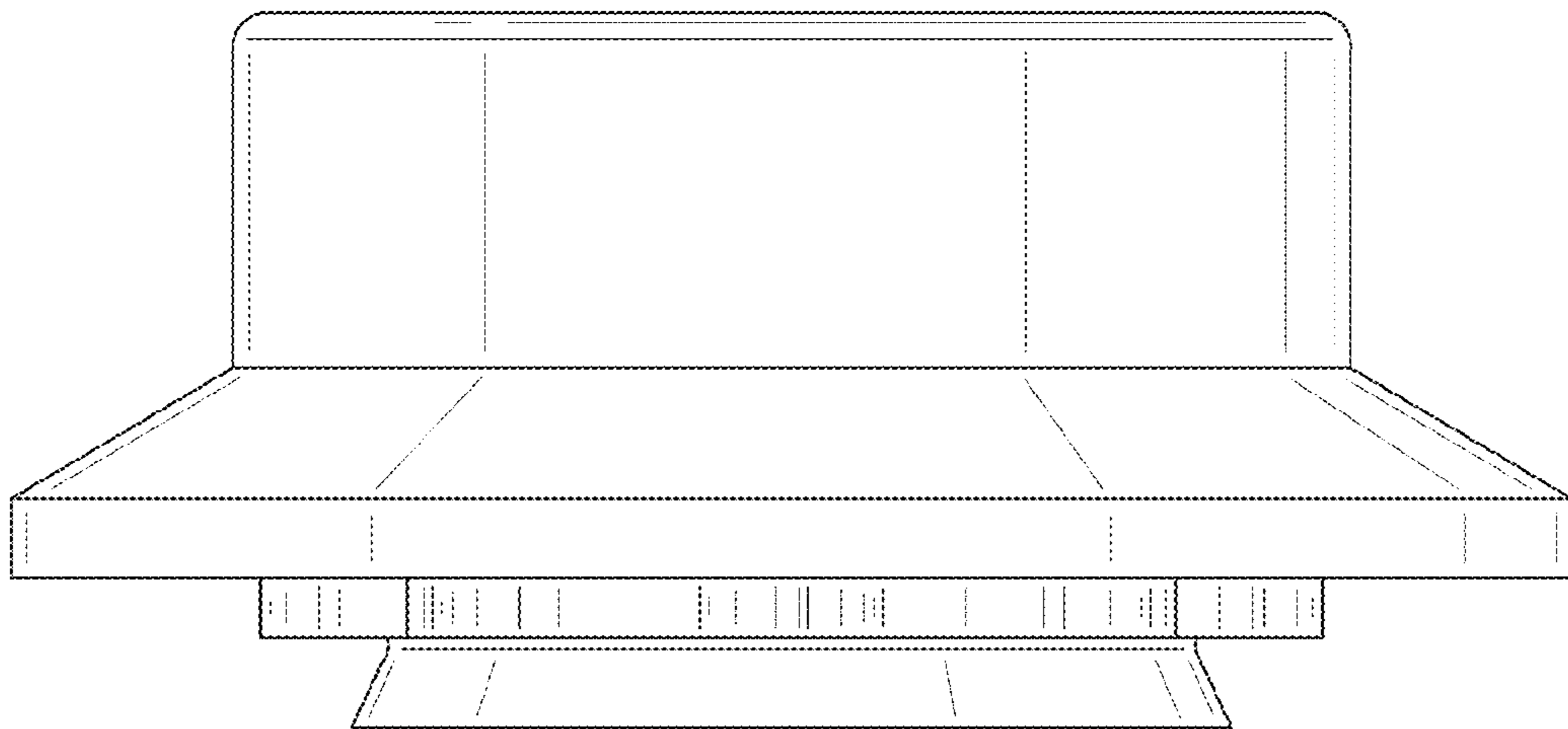


FIG. 2

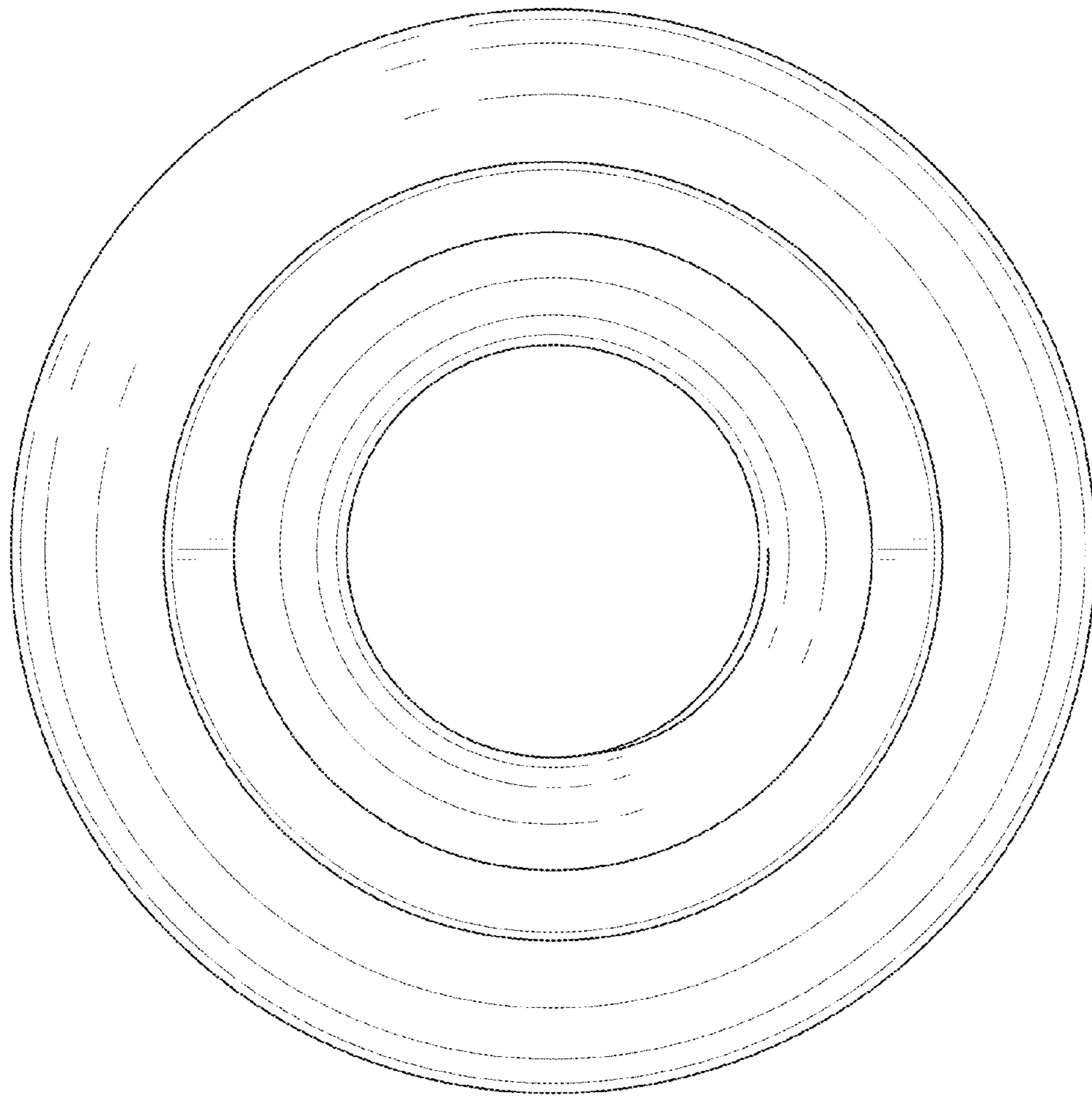


FIG. 3

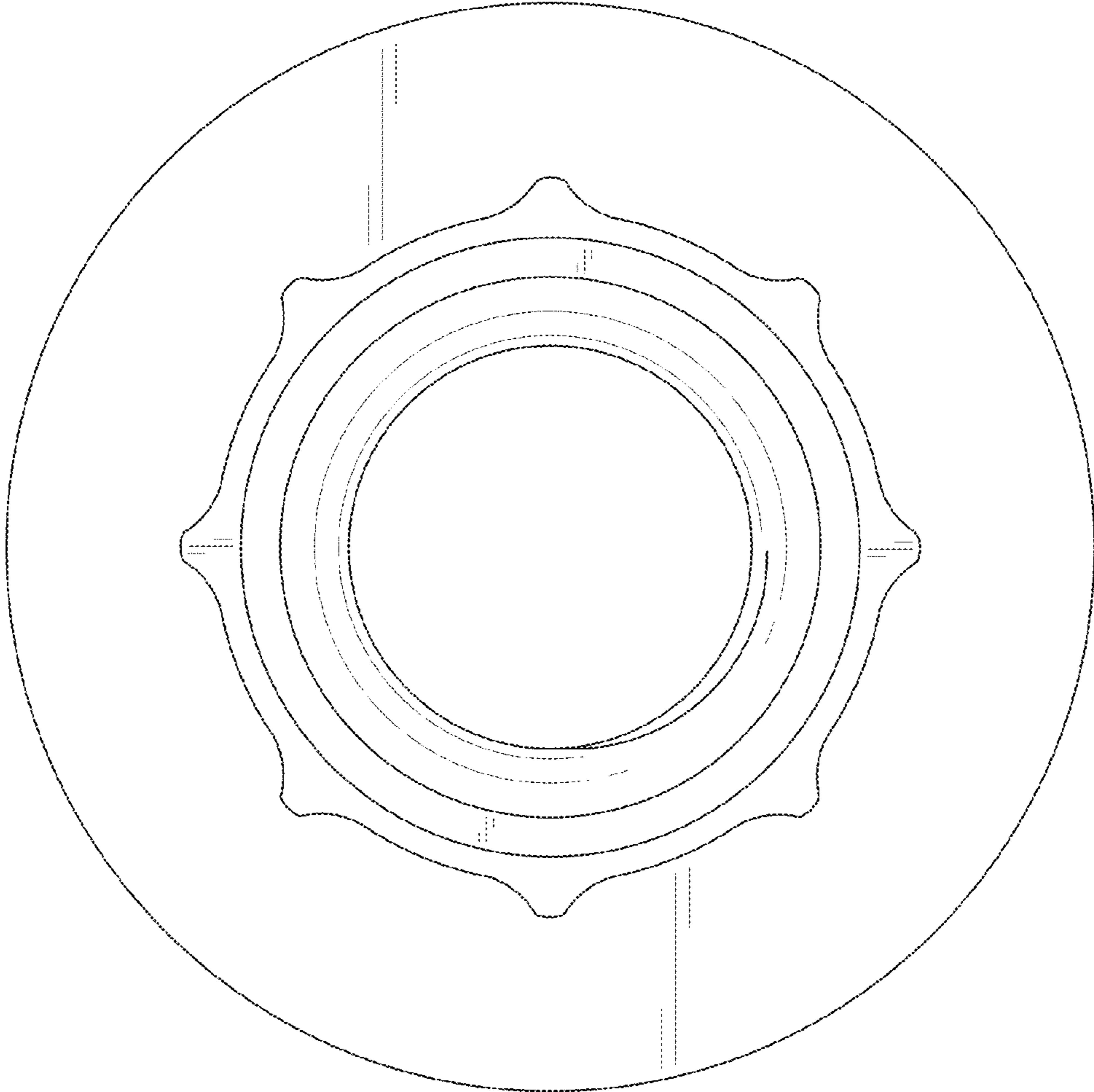


FIG. 4

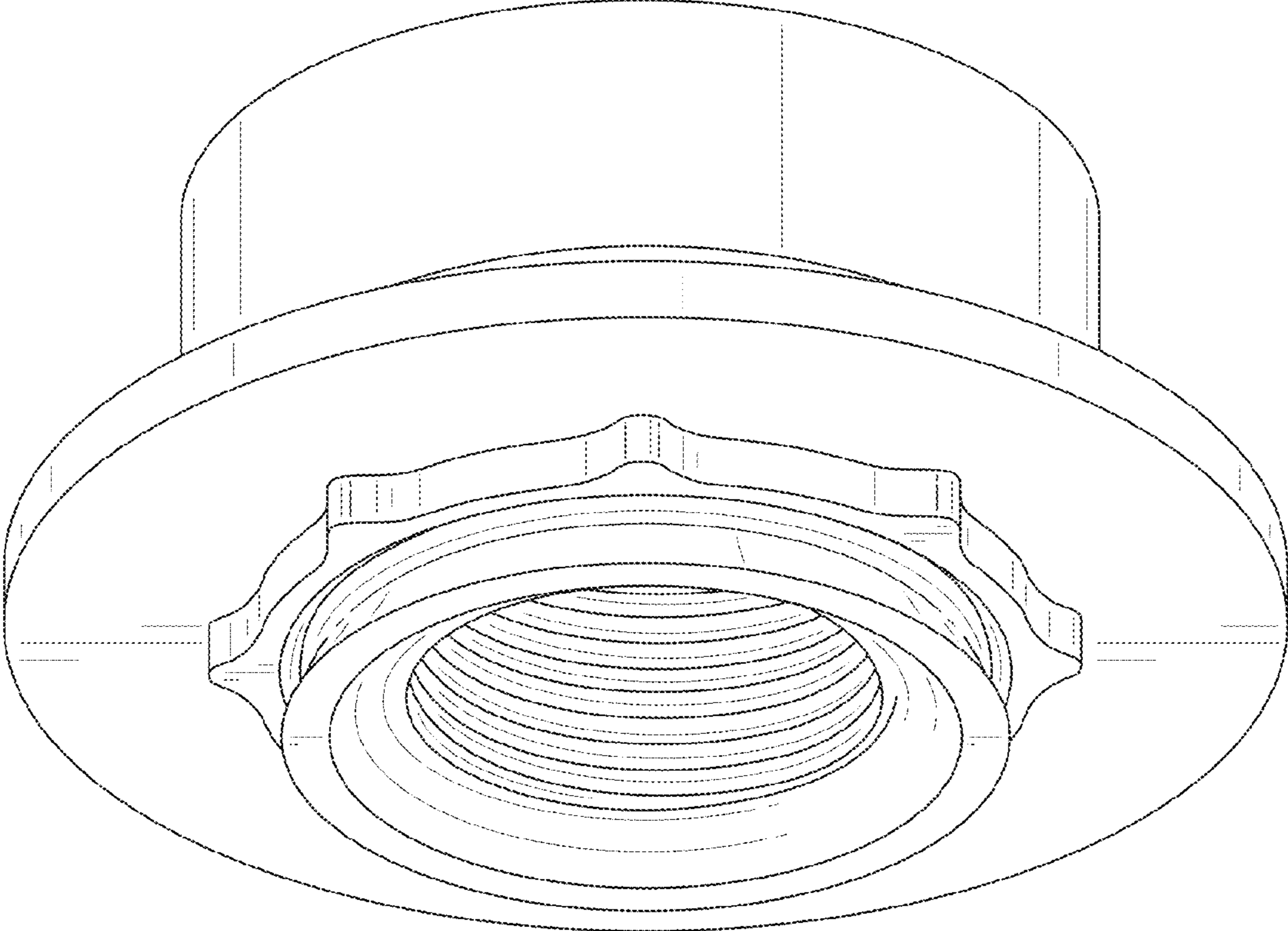


FIG. 5