



US00D703521S

(12) **United States Design Patent**
Haynes et al.

(10) **Patent No.:** **US D703,521 S**
(45) **Date of Patent:** **** Apr. 29, 2014**

- (54) **NUT**
- (75) **Inventors:** **Andrew Leo Haynes**, Auckland (NZ);
Gabriel Ioan Giurgiu, Auckland (NZ);
Michael John Sumner, Auckland (NZ)
- (73) **Assignee:** **Lake Products Limited**, Auckland (NZ)
- (**) **Term:** **14 Years**
- (21) **Appl. No.:** **29/429,665**
- (22) **Filed:** **Aug. 15, 2012**
- (30) **Foreign Application Priority Data**

Feb. 15, 2012 (NZ) 415848
 Feb. 15, 2012 (NZ) 415857

- (51) **LOC (10) Cl.** **08-08**
- (52) **U.S. Cl.**
USPC **D8/397**

- (58) **Field of Classification Search**
USPC D8/397, 394, 382, 399, 356, 354, 349;
D15/140; 16/2.1; 220/575; 206/521.15;
24/302, 16 R, 306; 439/501, 578;
381/374; D14/217, 205; 411/302, 427,
411/429, 432, 918, 179, 180; D13/151, 133
See application file for complete search history.

(56) **References Cited**

U.S. PATENT DOCUMENTS

| | | | | |
|---------------|---------|-------------|-------|---------|
| D23,917 S * | 12/1894 | Lane et al. | | D8/397 |
| 1,029,775 A * | 6/1912 | Tobin | | 411/191 |
| D57,407 S * | 3/1921 | Walker | | D23/269 |
| D134,789 S * | 1/1943 | Gade | | D8/397 |
| 2,552,794 A * | 5/1951 | Kimbell | | 411/427 |
| 2,727,551 A * | 12/1955 | Rees | | 411/303 |
| D198,713 S * | 7/1964 | Curtiss | | D8/397 |
| D218,674 S * | 9/1970 | Ernest | | D8/387 |
| D220,027 S * | 3/1971 | Myers | | D8/397 |
| D223,187 S * | 3/1972 | Wing | | D8/397 |

| | | | | |
|----------------|---------|------------------|-------|---------|
| 3,702,628 A * | 11/1972 | Cosenza | | 411/280 |
| D233,652 S * | 11/1974 | Wing | | D8/397 |
| 4,019,550 A * | 4/1977 | DeHaitre | | 411/303 |
| D244,908 S * | 7/1977 | Hatter et al. | | D8/397 |
| D244,909 S * | 7/1977 | Gill | | D8/397 |
| D273,561 S * | 4/1984 | Ozaki et al. | | D8/397 |
| D281,953 S * | 12/1985 | Newman | | D8/397 |
| D311,131 S * | 10/1990 | Saito | | D8/397 |
| 6,071,052 A * | 6/2000 | Kerr | | 411/302 |
| D446,111 S * | 8/2001 | Hussaini | | D8/397 |
| D459,207 S * | 6/2002 | Miyata | | D8/397 |
| D519,076 S * | 4/2006 | Fox | | D13/133 |
| 7,063,565 B2 * | 6/2006 | Ward | | 439/578 |
| D532,684 S * | 11/2006 | Barnes | | D8/397 |
| D535,259 S * | 1/2007 | Rodrigues et al. | | D13/151 |
| D539,129 S * | 3/2007 | Griffiths | | D8/382 |
| D551,972 S * | 10/2007 | Jacobs et al. | | D9/445 |

(Continued)

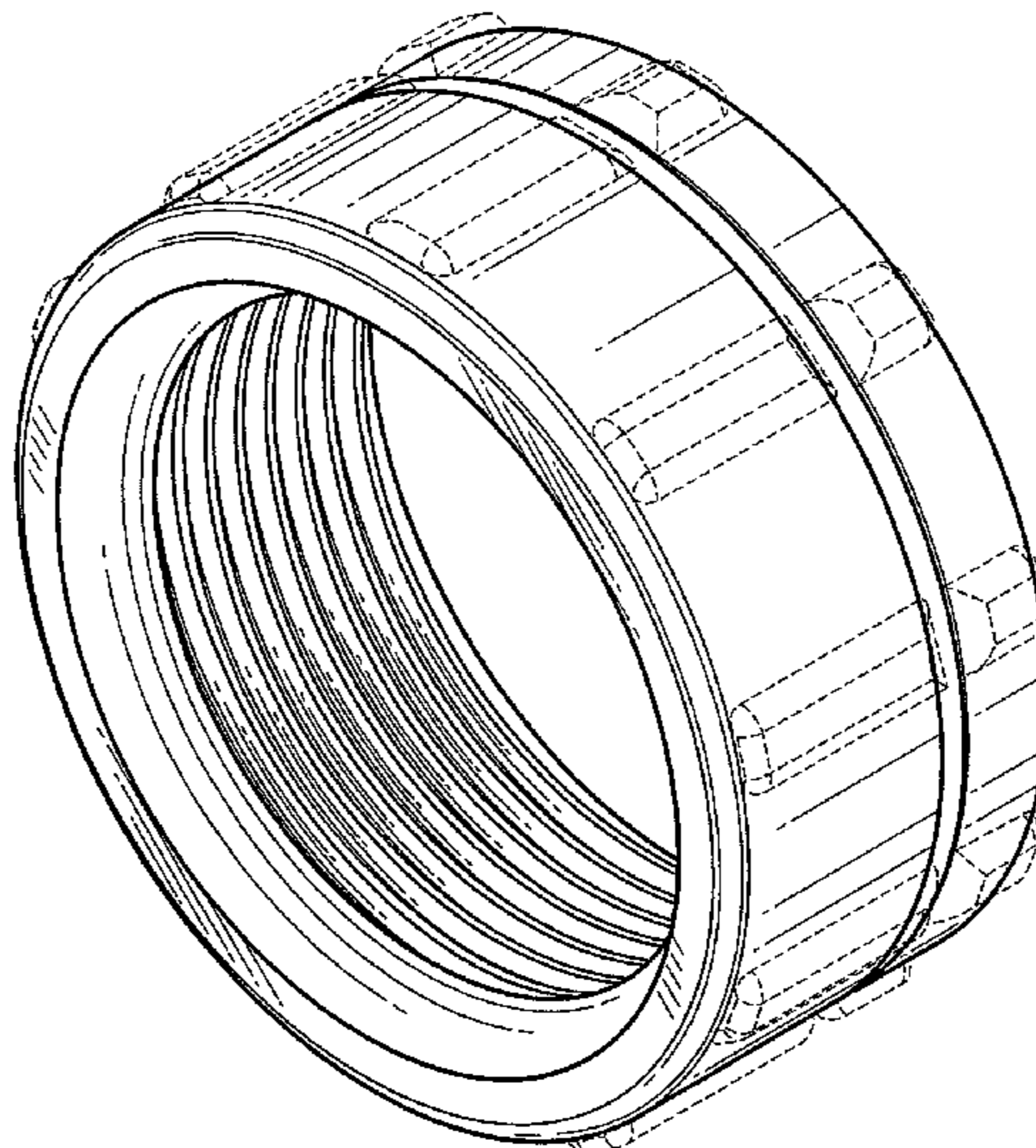
Primary Examiner — Cynthia Underwood
(74) *Attorney, Agent, or Firm* — Jacobson Holman PLLC

(57) **CLAIM**
The ornamental design for a nut, as shown and described.

DESCRIPTION

FIG. 1 is a perspective view showing our new design for a nut, the portion shown in dotted lines is for illustrative purposes only and forms no part of the claimed design,
 FIG. 2 is a front view thereof, the portion shown in dotted lines is for illustrative purposes only and forms no part of the claimed design,
 FIG. 3 is a right side view thereof, the portion shown in dotted lines is for illustrative purposes only and forms no part of the claimed design,
 FIG. 4 is a rear view thereof, the portion shown in dotted lines is for illustrative purposes only and forms no part of the claimed design; and,
 FIG. 5 is a left side view thereof, the portion shown in dotted lines is for illustrative purposes only and forms no part of the claimed design.

1 Claim, 5 Drawing Sheets



US D703,521 S

Page 2

(56)

References Cited

U.S. PATENT DOCUMENTS

D581,777 S * 12/2008 Huang D8/397
D601,507 S * 10/2009 Rodrigues D13/151
D644,673 S * 9/2011 Drenth et al. D15/138

8,210,783 B2 * 7/2012 Morrison 411/9
D679,988 S * 4/2013 Yamazaki D8/397
2003/0039527 A1 * 2/2003 Schatz 411/9
2005/0136735 A1 * 6/2005 Rodrigues et al. 439/578

* cited by examiner

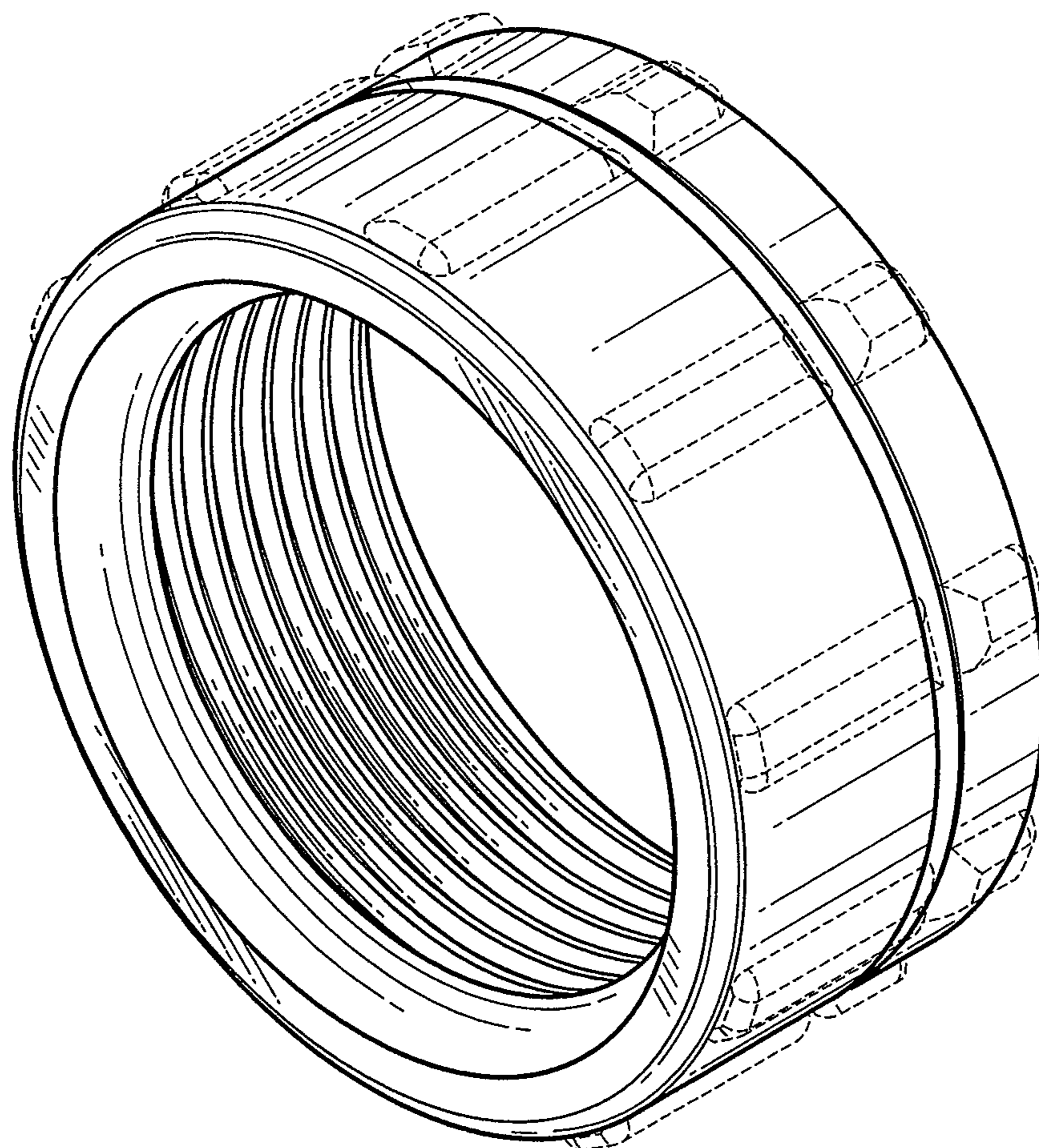


FIG. 1

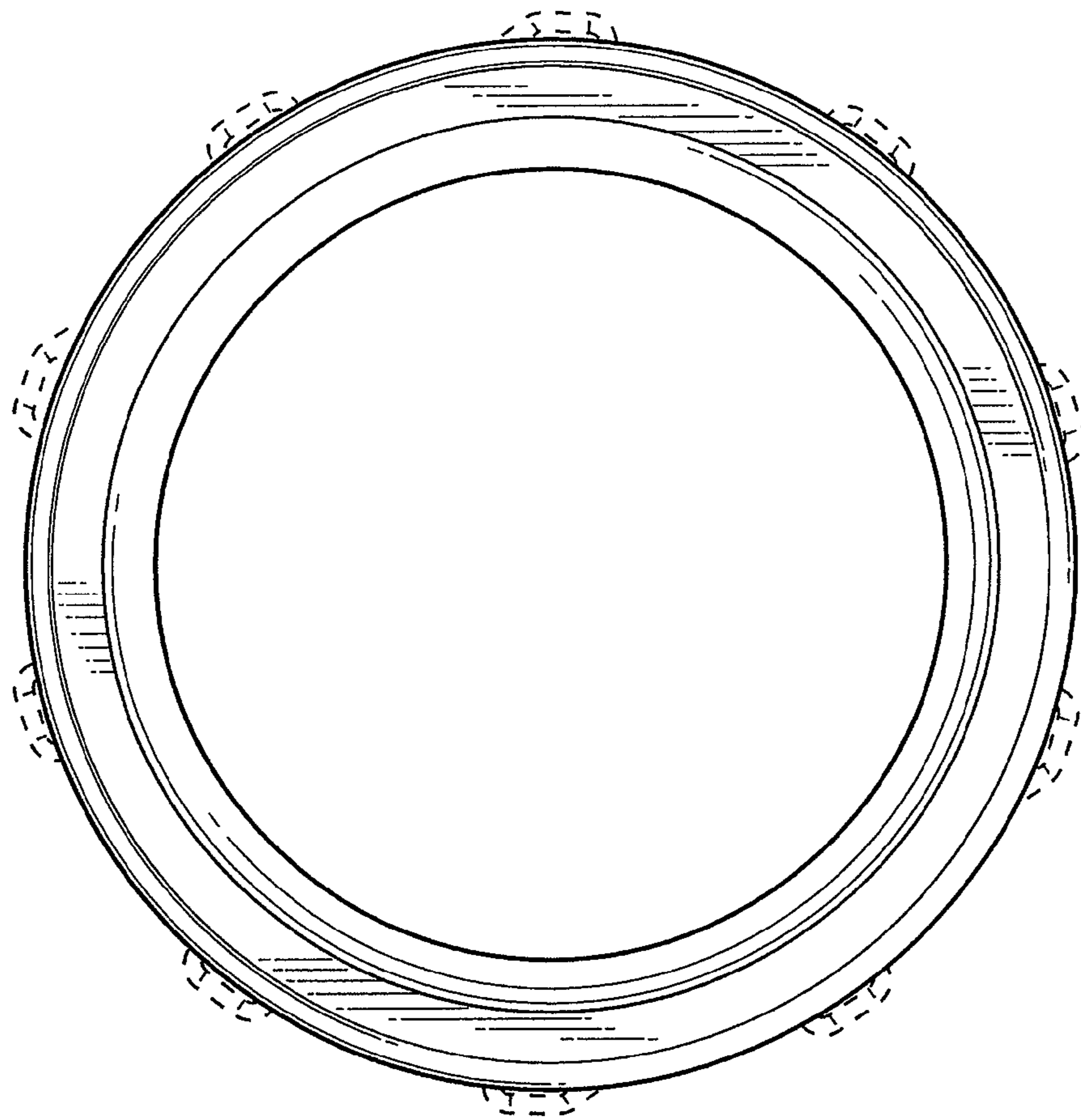


FIG. 2

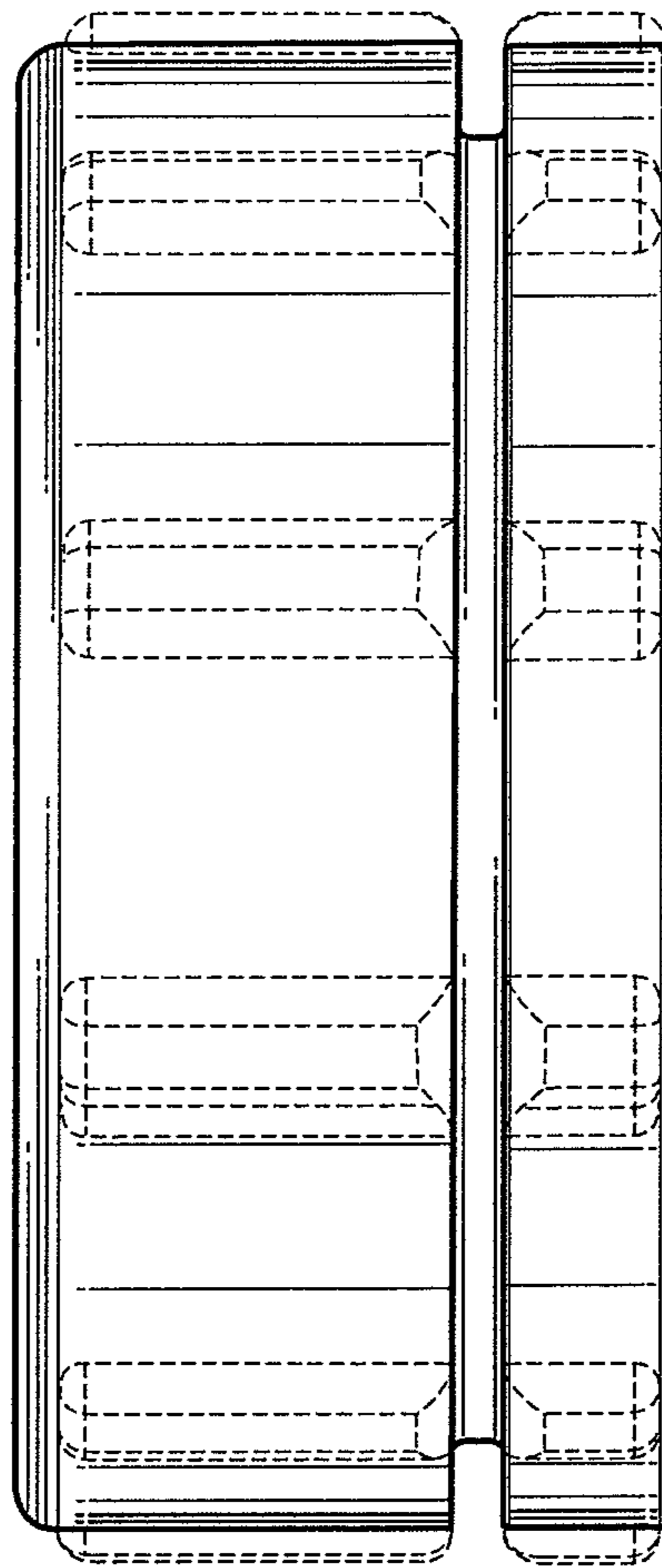


FIG. 3

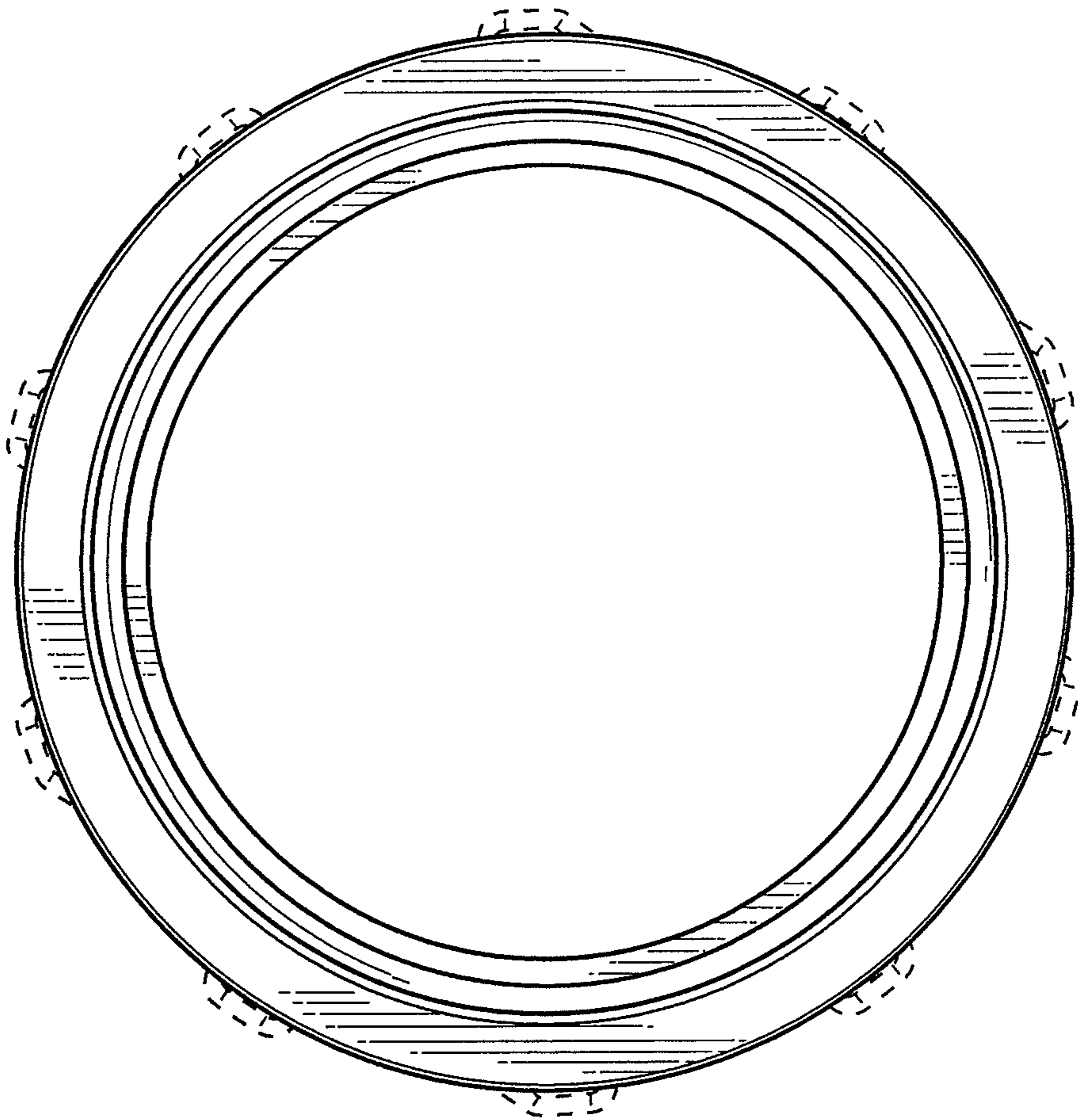


FIG. 4

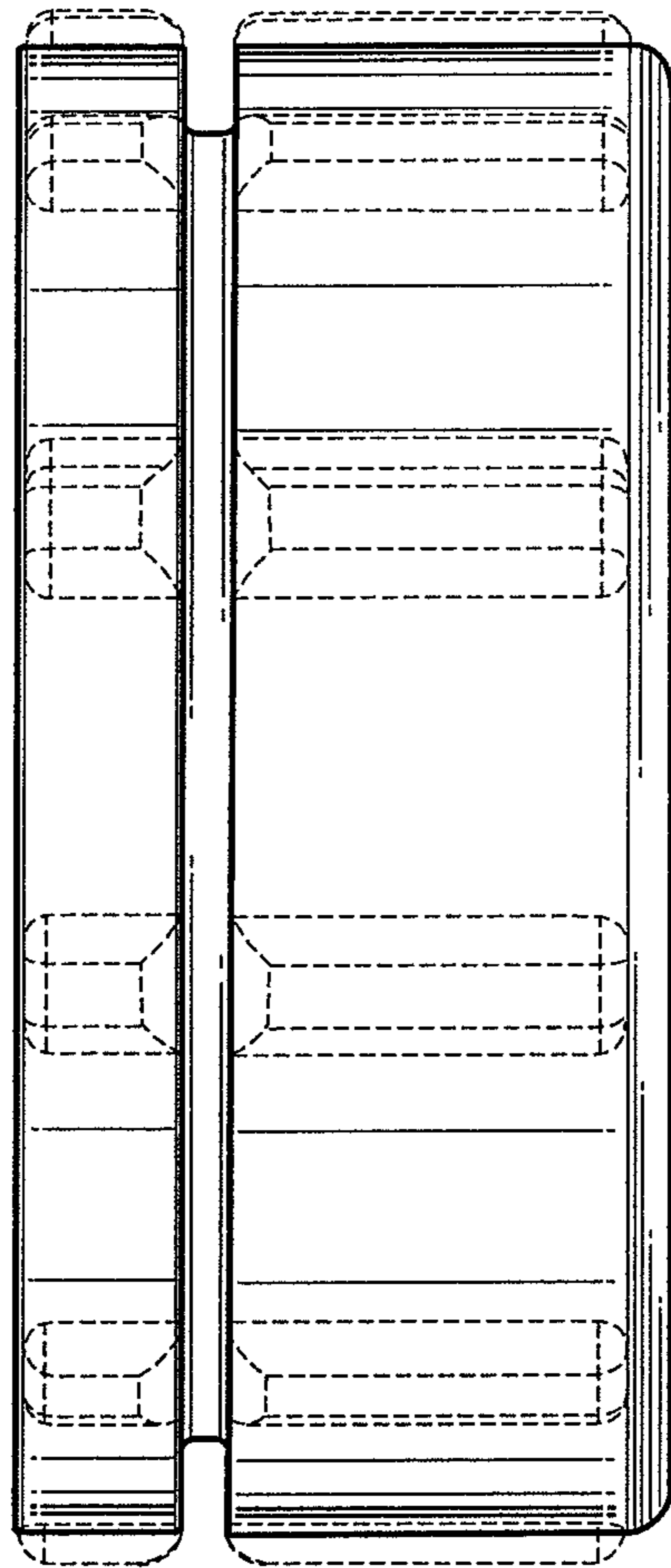


FIG. 5