



US00D703520S

(12) **United States Design Patent**  
**Schopf**

(10) **Patent No.:** **US D703,520 S**

(45) **Date of Patent:** **\*\* Apr. 29, 2014**

(54) **CLAMP FOR FENCE PANELS**

(76) Inventor: **John Michael Schopf**, Thornbury (AU)

(\*\*) Term: **14 Years**

(21) Appl. No.: **29/392,551**

(22) Filed: **May 23, 2011**

(30) **Foreign Application Priority Data**

Nov. 22, 2010 (AU) ..... 15144/2010

(51) **LOC (10) Cl.** ..... **08-08**

(52) **U.S. Cl.**  
USPC ..... **D8/394**; D8/395

(58) **Field of Classification Search**  
USPC ..... D8/356, 371, 394–396; D19/65, 34;  
D24/128; 24/570, 128, 67.9, 66.13;  
248/74.2, 215, 227.1, 49, 300, 301,  
248/316.7, 51, 489; D11/214, 215, 78.1;  
116/237; 273/153 R; D21/478  
See application file for complete search history.

(56) **References Cited**

**U.S. PATENT DOCUMENTS**

D269,589 S \* 7/1983 Nakama ..... D8/356  
D329,588 S \* 9/1992 Michel, Jr. .... D8/395  
D337,172 S \* 7/1993 Maglica et al. .... D26/138  
D406,051 S \* 2/1999 Ross ..... D8/395

D422,486 S \* 4/2000 Wolfe et al. .... D8/395  
D435,684 S \* 12/2000 Gary et al. .... D26/138  
D571,648 S \* 6/2008 Rieder ..... D8/395  
D628,050 S \* 11/2010 Petersen et al. .... D8/356  
D665,449 S \* 8/2012 Guirlinger ..... D19/83

\* cited by examiner

*Primary Examiner* — John Windmuller

(74) *Attorney, Agent, or Firm* — Hogan Lovells US LLP

(57) **CLAIM**

The ornamental design for a clamp for fence panels, as described and shown in the figures.

**DESCRIPTION**

FIG. 1 is a perspective view of a clamp for fence panels according to the invention.

FIG. 2 is a left side view of a clamp for fence panels according to the invention.

FIG. 3 is a right side view of a clamp for fence panels according to the invention.

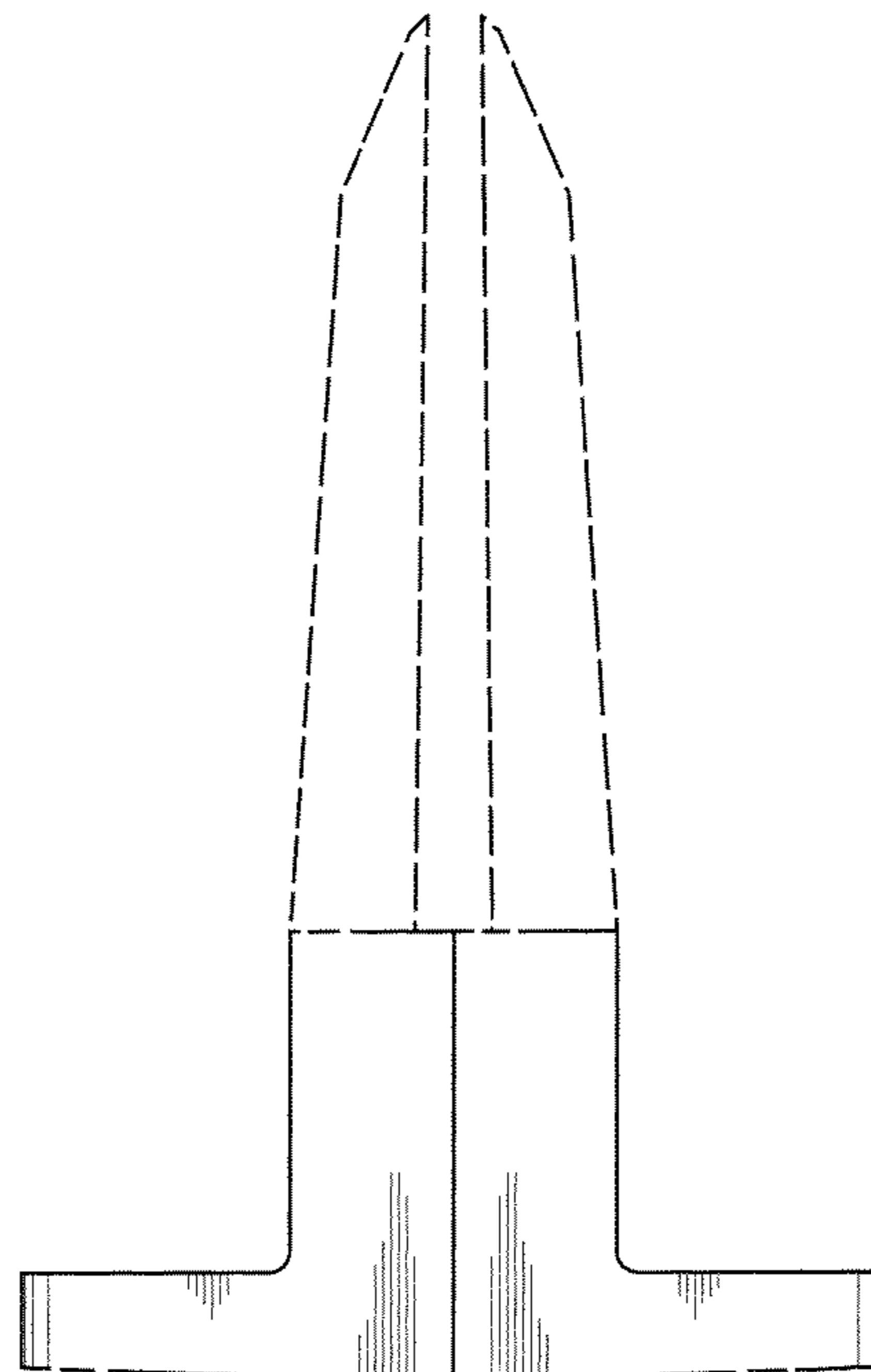
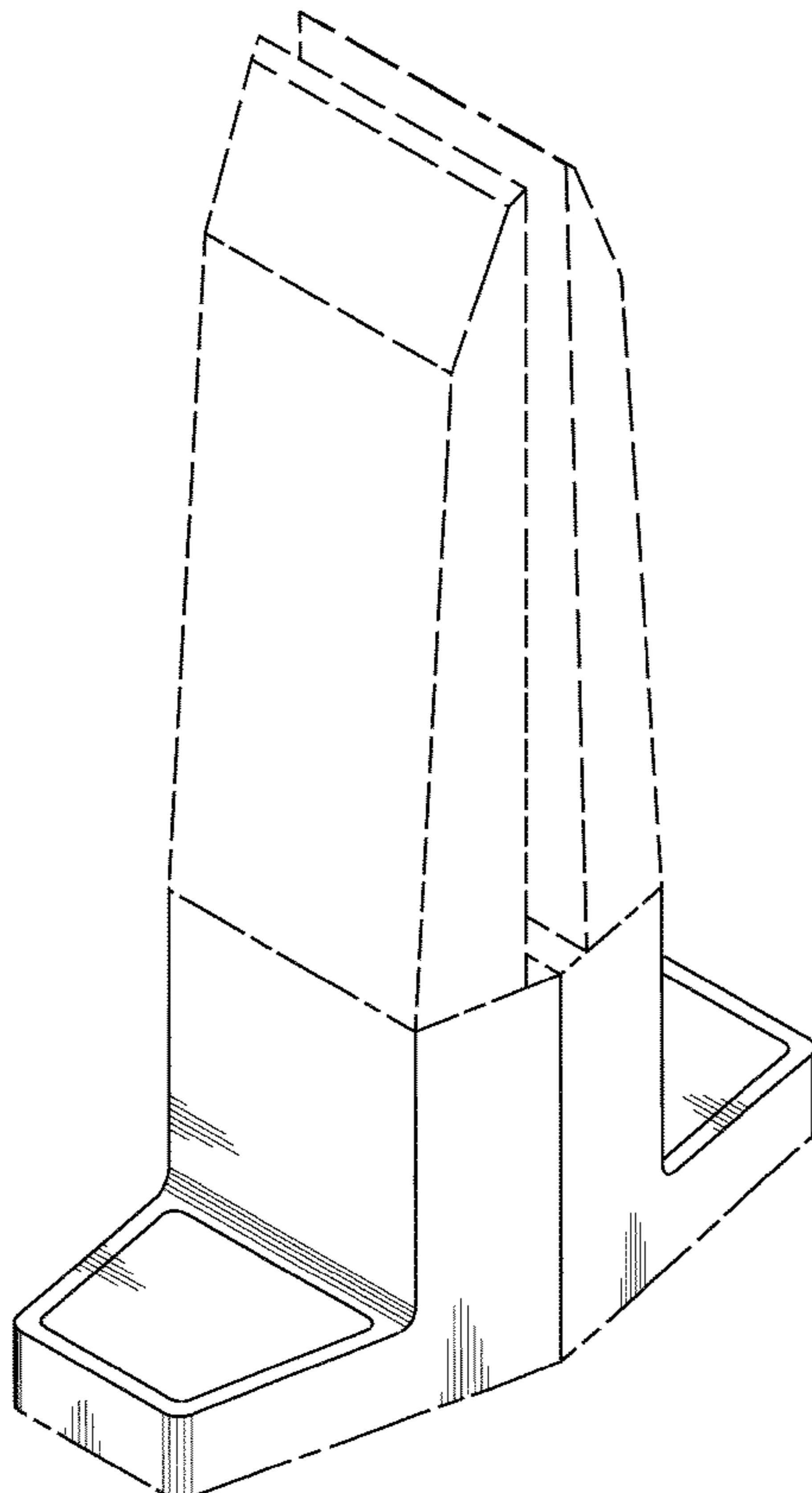
FIG. 4 is a front view of a clamp for fence panels according to the invention.

FIG. 5 is a rear view of a clamp for fence panels according to the invention.

FIG. 6 is a top view of a clamp for fence panels according to the invention; and,

FIG. 7 is a view from below of a clamp for fence panels according to the invention.

**1 Claim, 7 Drawing Sheets**



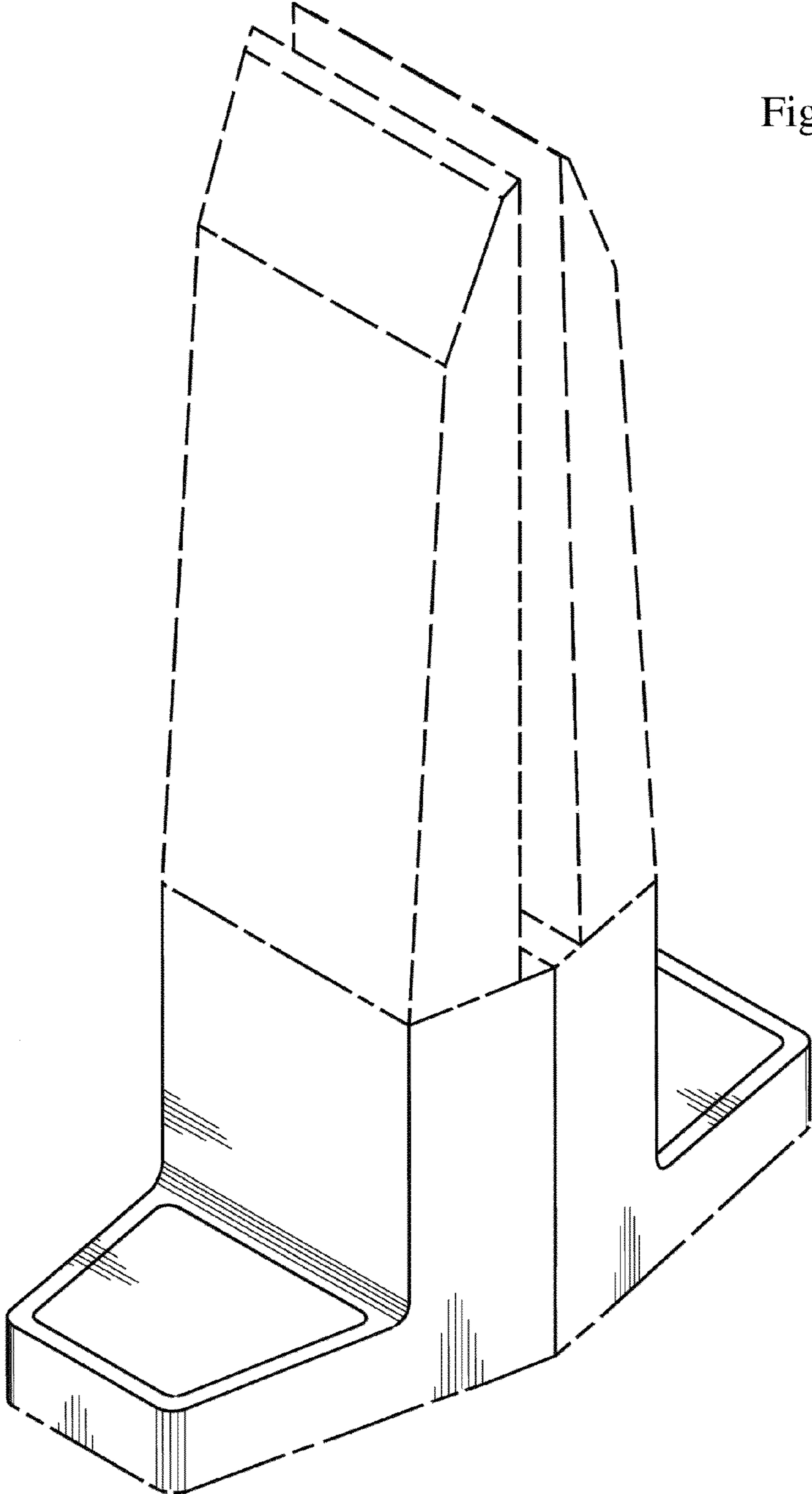


Fig. 1

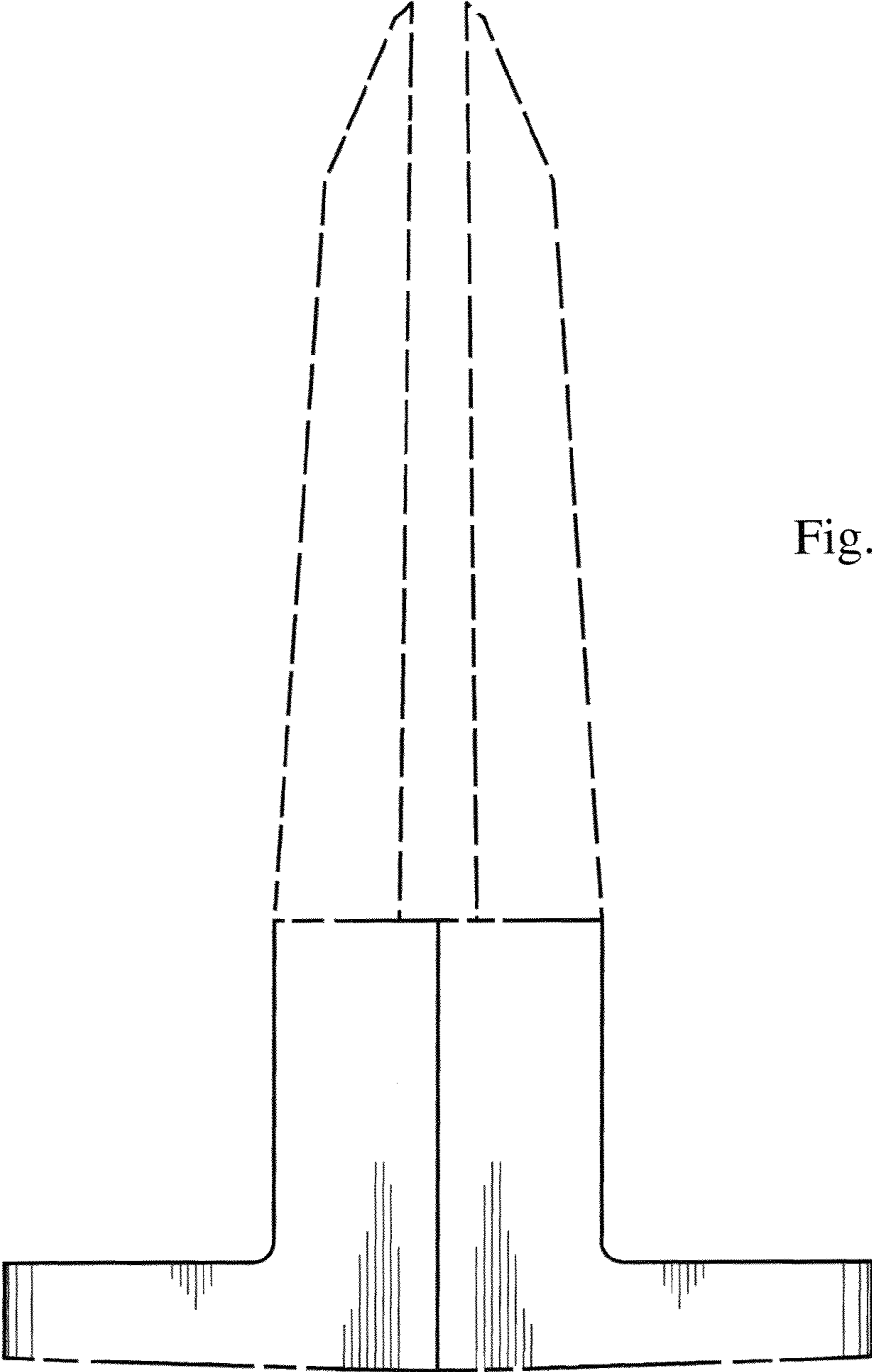


Fig. 2

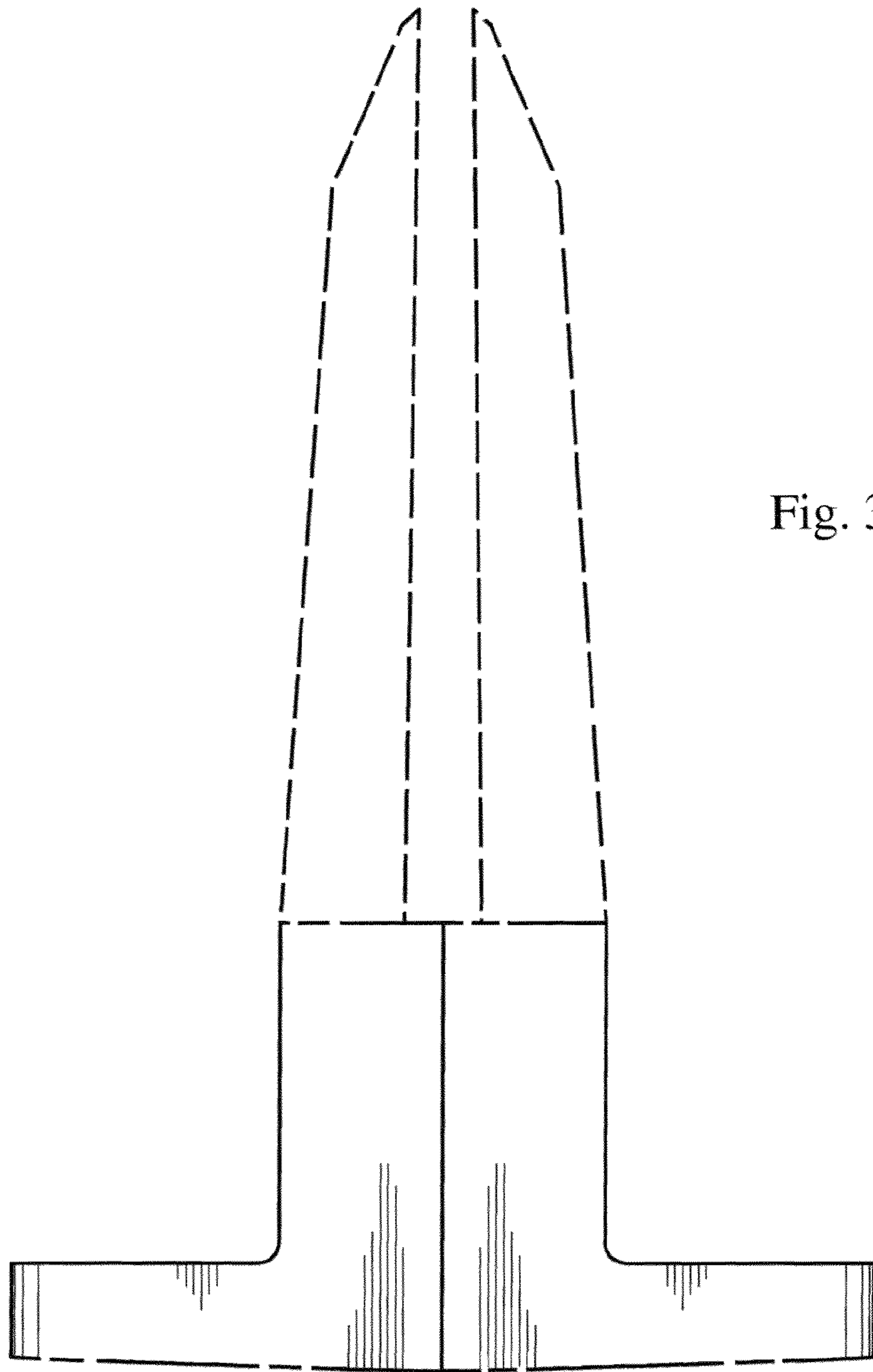


Fig. 3

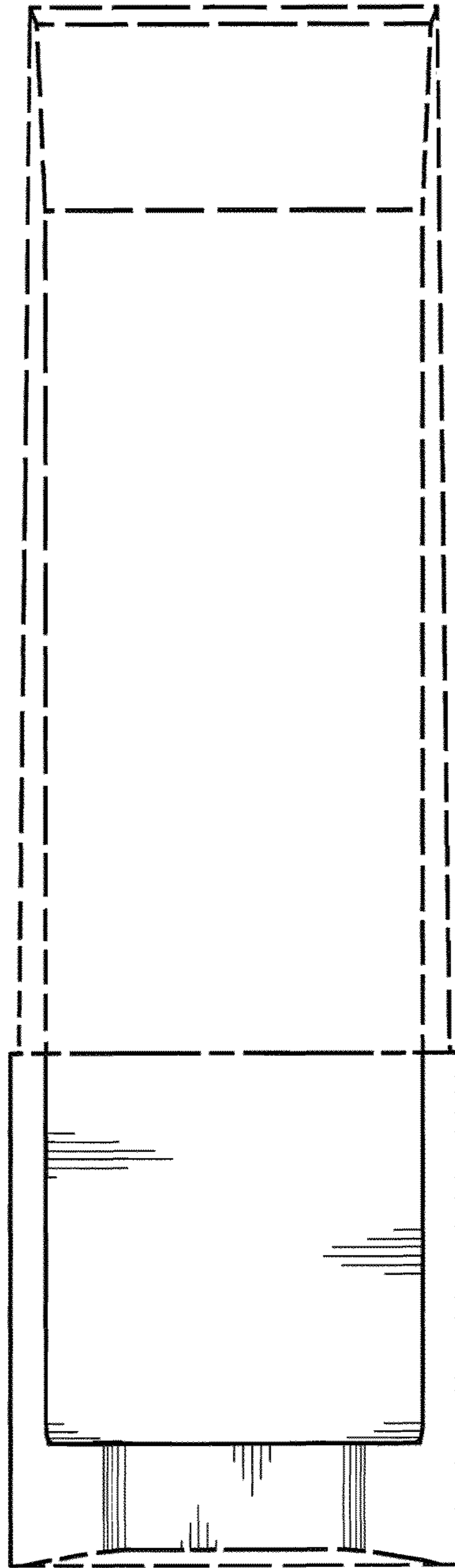


Fig. 4

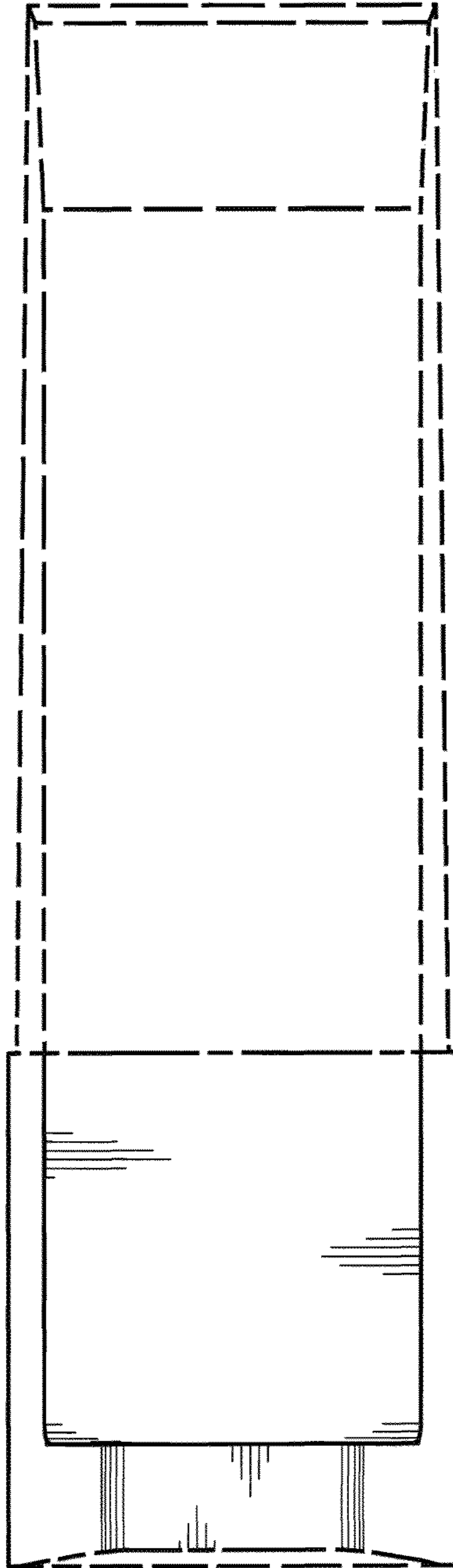


Fig. 5

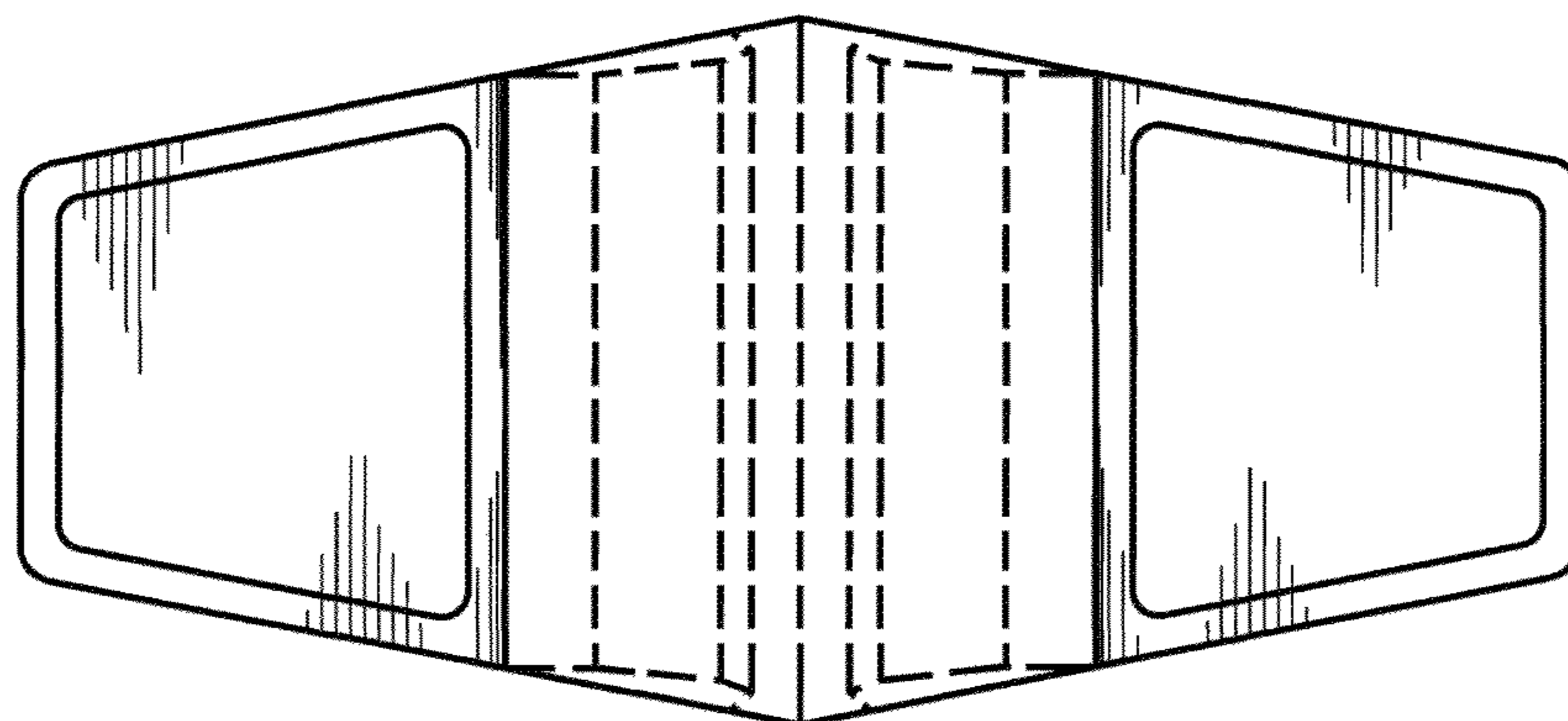


Fig. 6

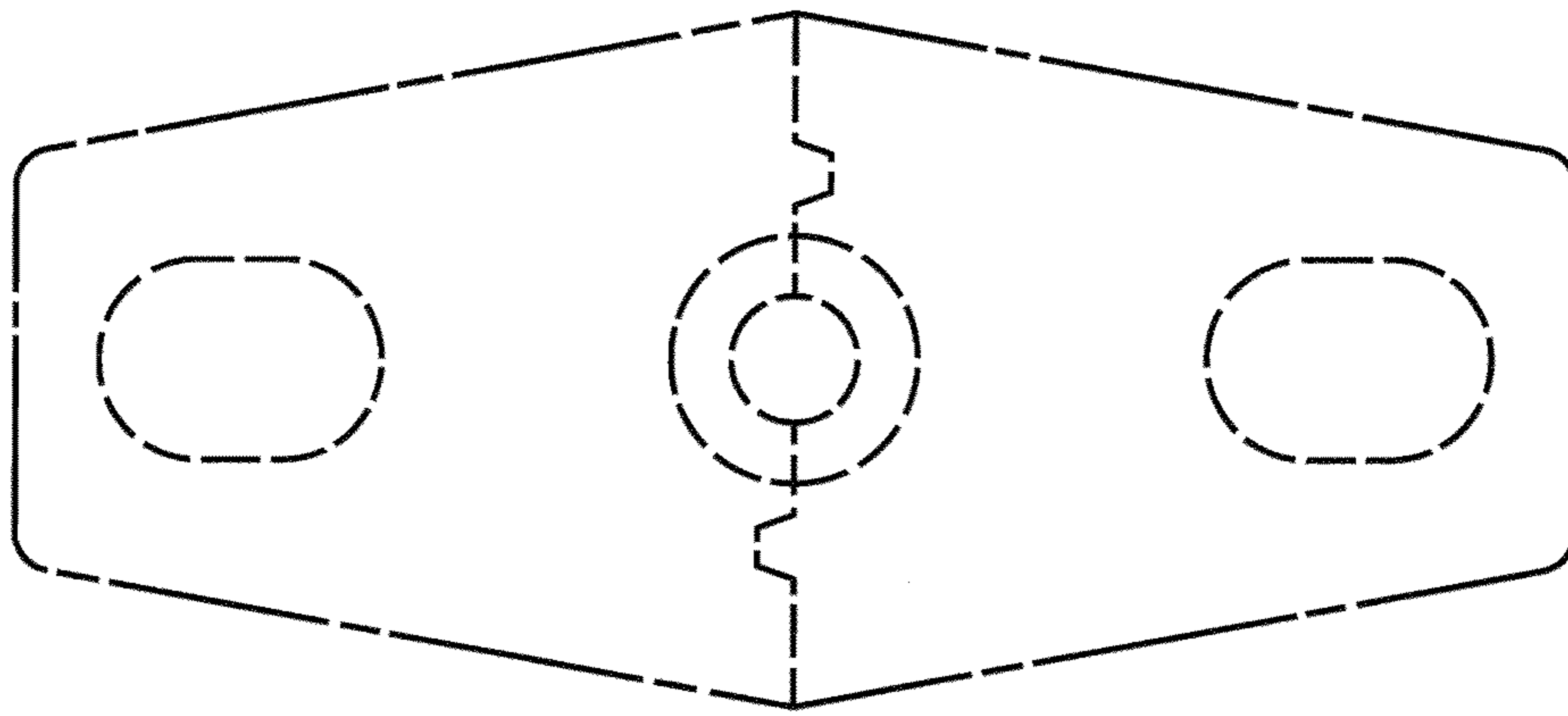


Fig. 7