



US00D703519S

(12) **United States Design Patent**
Senseney et al.

(10) **Patent No.:** **US D703,519 S**

(45) **Date of Patent:** **** Apr. 29, 2014**

(54) **GROUNDING FITTING**

(75) Inventors: **Erik G. Senseney**, Fairfield, CT (US);
Lawrence J. Smith, Stamford, CT (US)

(73) Assignee: **Bridgeport Fittings, Inc.**, Stratford, CT (US)

(**) Term: **14 Years**

(21) Appl. No.: **29/374,997**

(22) Filed: **Nov. 4, 2011**

(51) **LOC (10) CL.** **08-08**

(52) **U.S. CL.**
USPC **D8/382**

(58) **Field of Classification Search**
USPC D8/349, 382; 439/791; D13/149;
174/51, 665, 656
See application file for complete search history.

(56) **References Cited**

U.S. PATENT DOCUMENTS

2,114,014	A *	4/1938	Church	439/791
2,216,309	A *	10/1940	Bissell	439/791
2,452,491	A *	10/1948	Petree	174/51
2,974,185	A	3/1961	Curtiss		
3,027,533	A	3/1962	Owen		
4,526,437	A	7/1985	Kies		
D298,605	S *	11/1988	Colgan et al.	D8/382
D319,966	S *	9/1991	Ellison	D8/382
D360,188	S	7/1995	Kiely et al.		
5,494,462	A	2/1996	Auclair		
5,928,006	A	7/1999	Franks, Jr.		
D487,062	S	2/2004	Foster		
D546,665	S *	7/2007	Medlin	D8/382
D577,977	S	10/2008	Hernandez		
D585,833	S	2/2009	Sherman		
7,494,157	B1	2/2009	Kiely		
7,537,467	B1	5/2009	Gretz		
D629,364	S	12/2010	Smith et al.		
7,901,256	B1	3/2011	Kiely		
D635,520	S	4/2011	Kiely		
7,927,157	B1	4/2011	Kiely		
D648,279	S *	11/2011	Kiely	D13/149

D668,618	S *	10/2012	Smith	D13/149
8,410,378	B1 *	4/2013	Senseney et al.	174/665
8,487,197	B2 *	7/2013	Smith	174/665
2003/0040214	A1	2/2003	Kiely		

* cited by examiner

Primary Examiner — Sheryl Lane

(74) *Attorney, Agent, or Firm* — Ware, Fressola, Maguire & Barber LLP

(57) **CLAIM**

The ornamental design for a grounding fitting, as shown and described.

DESCRIPTION

FIG. 1 is a rear perspective view of the grounding fitting of our design;

FIG. 2 is a front perspective view thereof;

FIG. 3 is a right side view thereof;

FIG. 4 is bottom view thereof;

FIG. 5 is a left side view thereof;

FIG. 6 is a top view thereof;

FIG. 7 is a rear view thereof;

FIG. 8 is a front view thereof;

FIG. 9 is a cross-sectional view of the grounding fitting in the direction as shown in FIG. 1, showing interior details of the grounding fitting, and with the cross-hatching in broken line since it does not form part of the design.

FIG. 10 is a front perspective view of an alternate embodiment of the grounding fitting having a rear view corresponding to the grounding fitting as shown in FIG. 7 and a front view of the grounding fitting corresponding to the grounding fitting shown in FIG. 8;

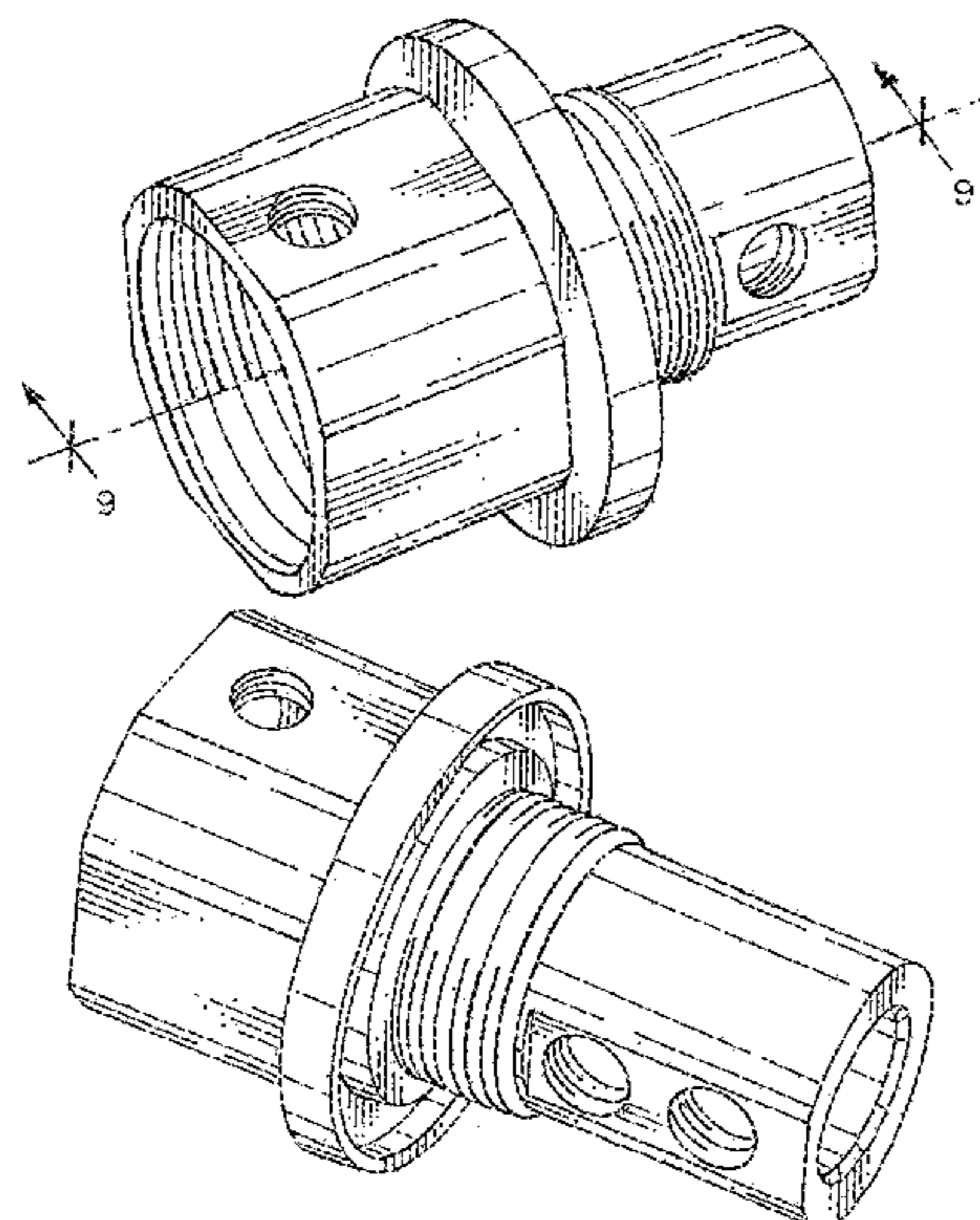
FIG. 11 is a right side view of the grounding fitting shown in FIG. 10;

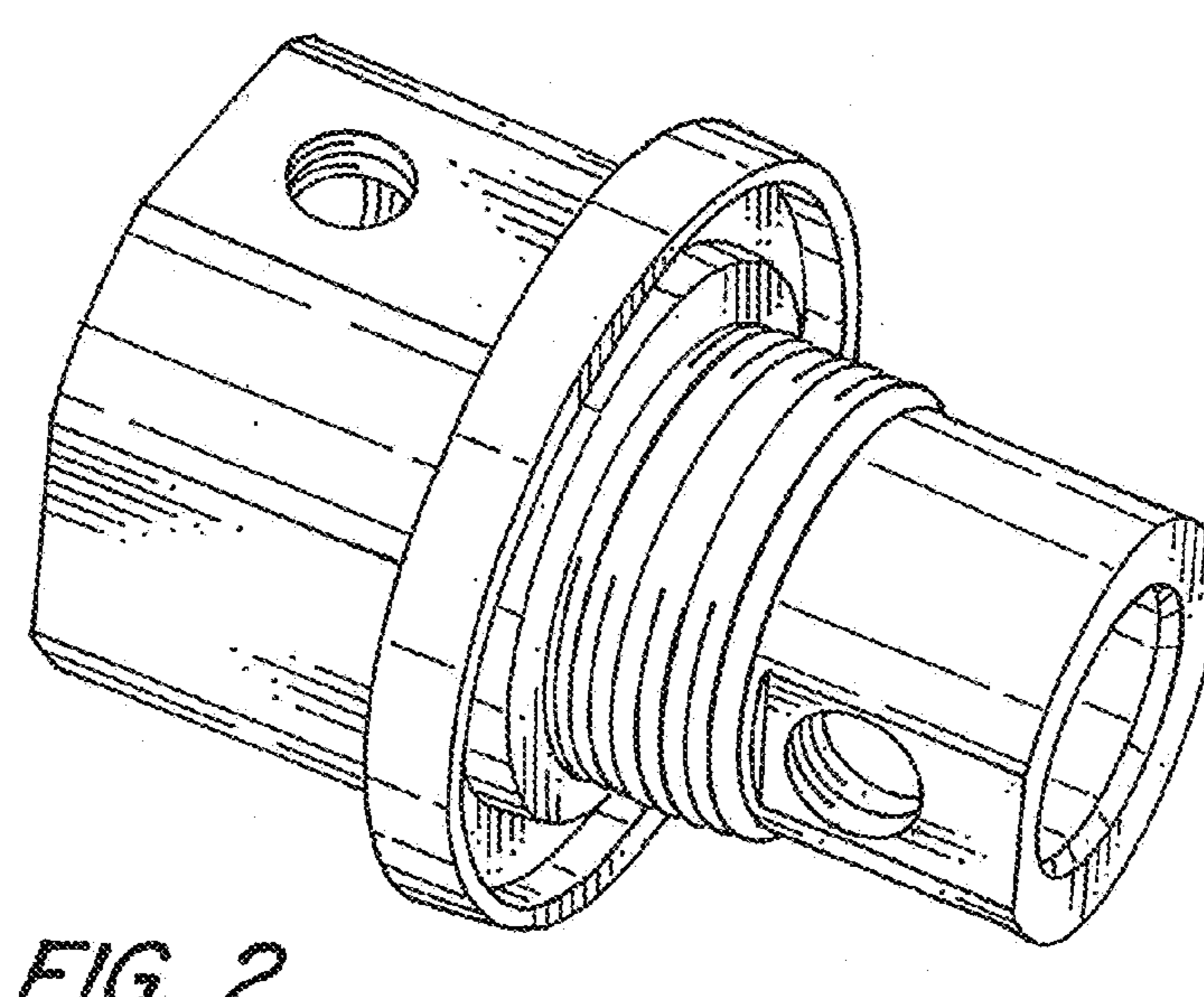
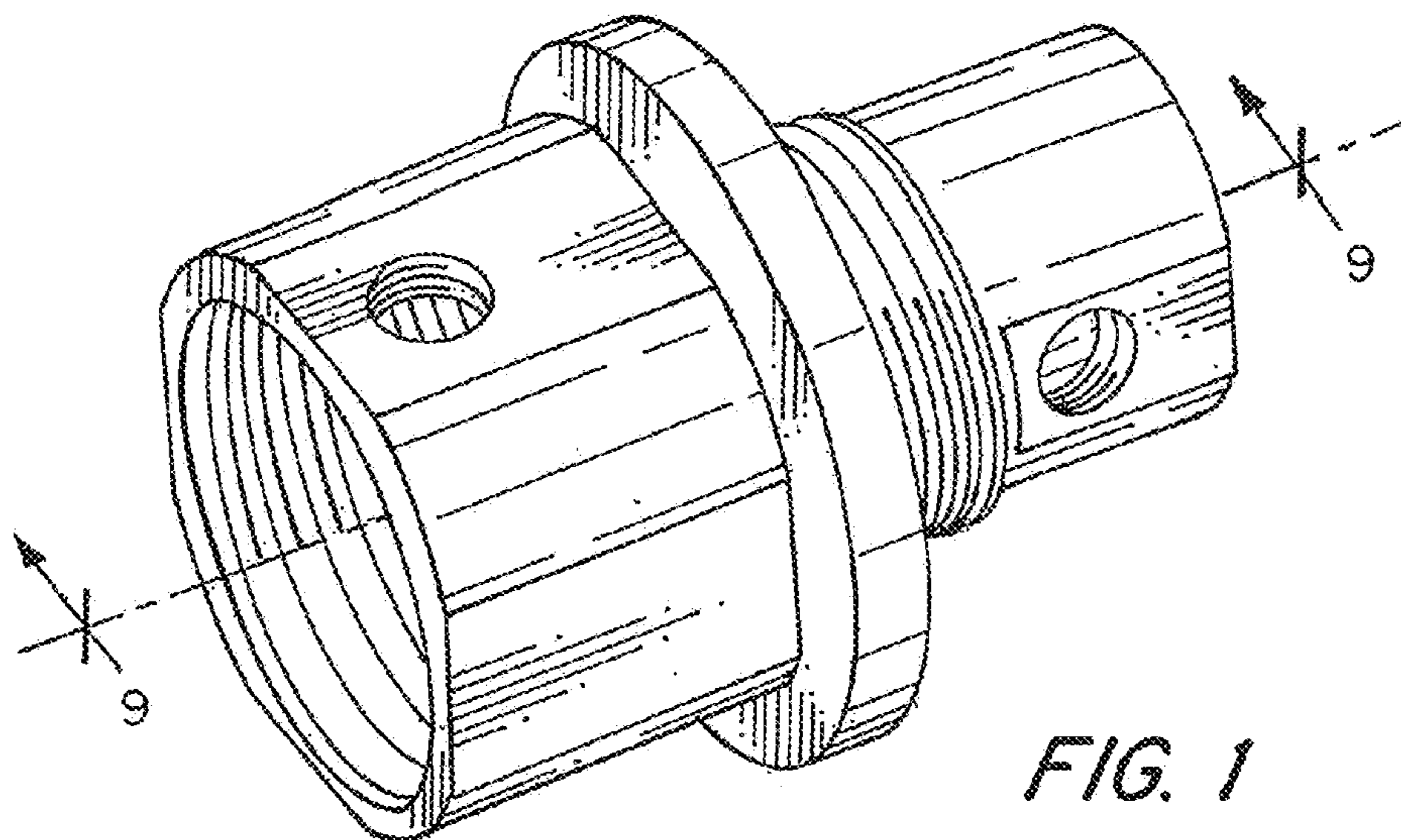
FIG. 12 is a bottom view of the grounding fitting shown in FIG. 10;

FIG. 13 is a left side view of the grounding fitting shown in FIG. 10; and,

FIG. 14 is a top view of the grounding fitting shown in FIG. 10.

1 Claim, 6 Drawing Sheets





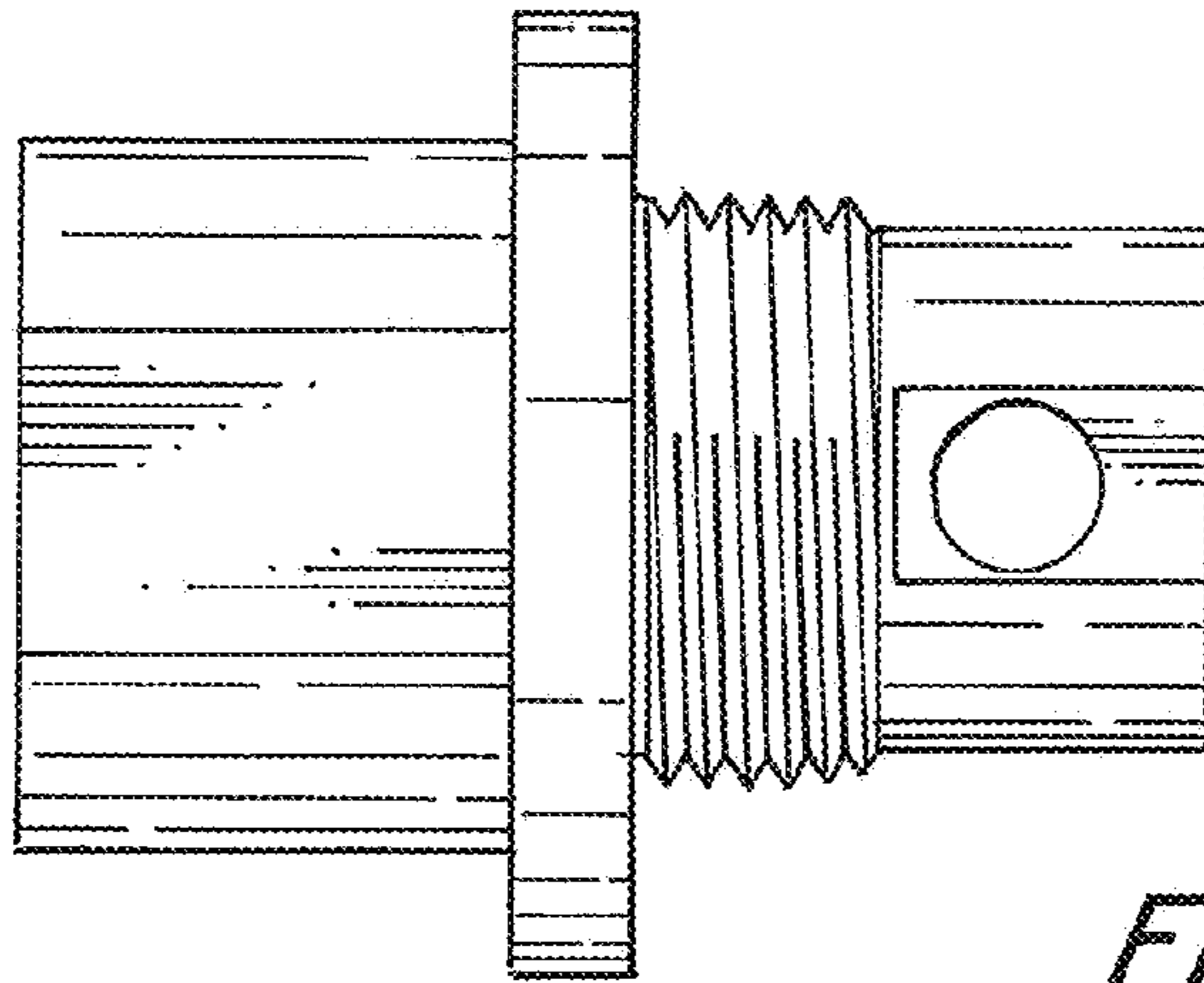


FIG. 3

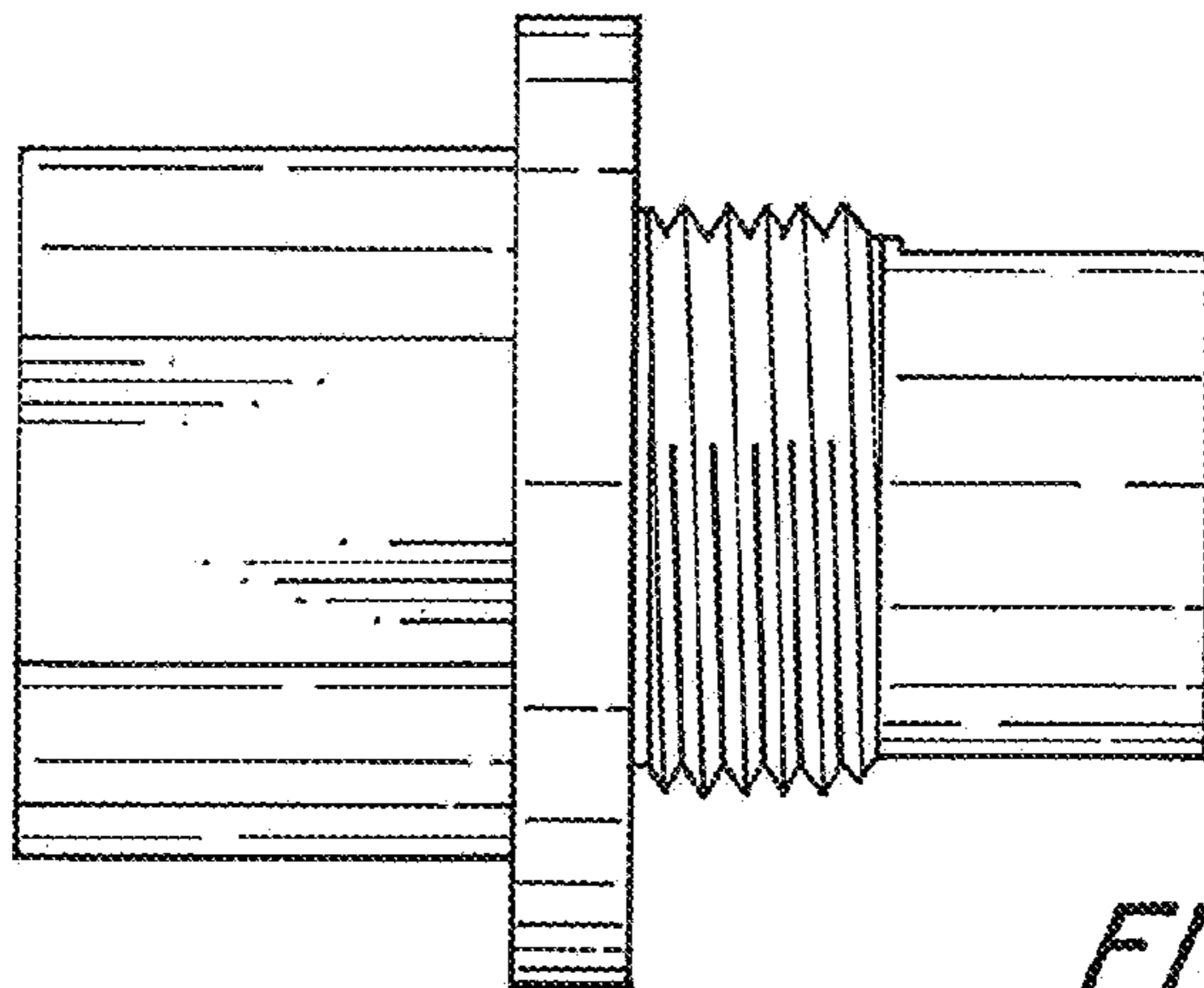


FIG. 4

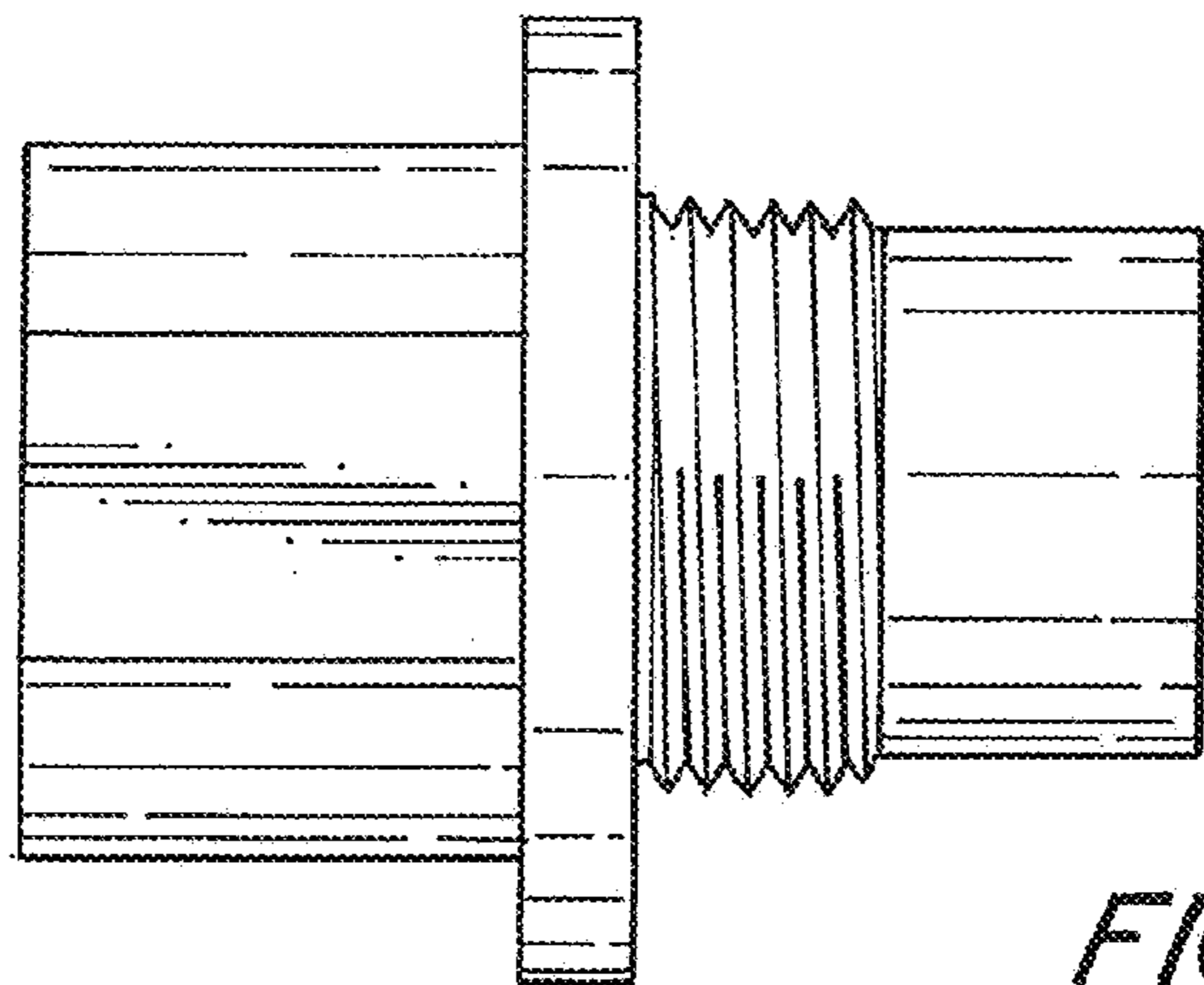


FIG. 5

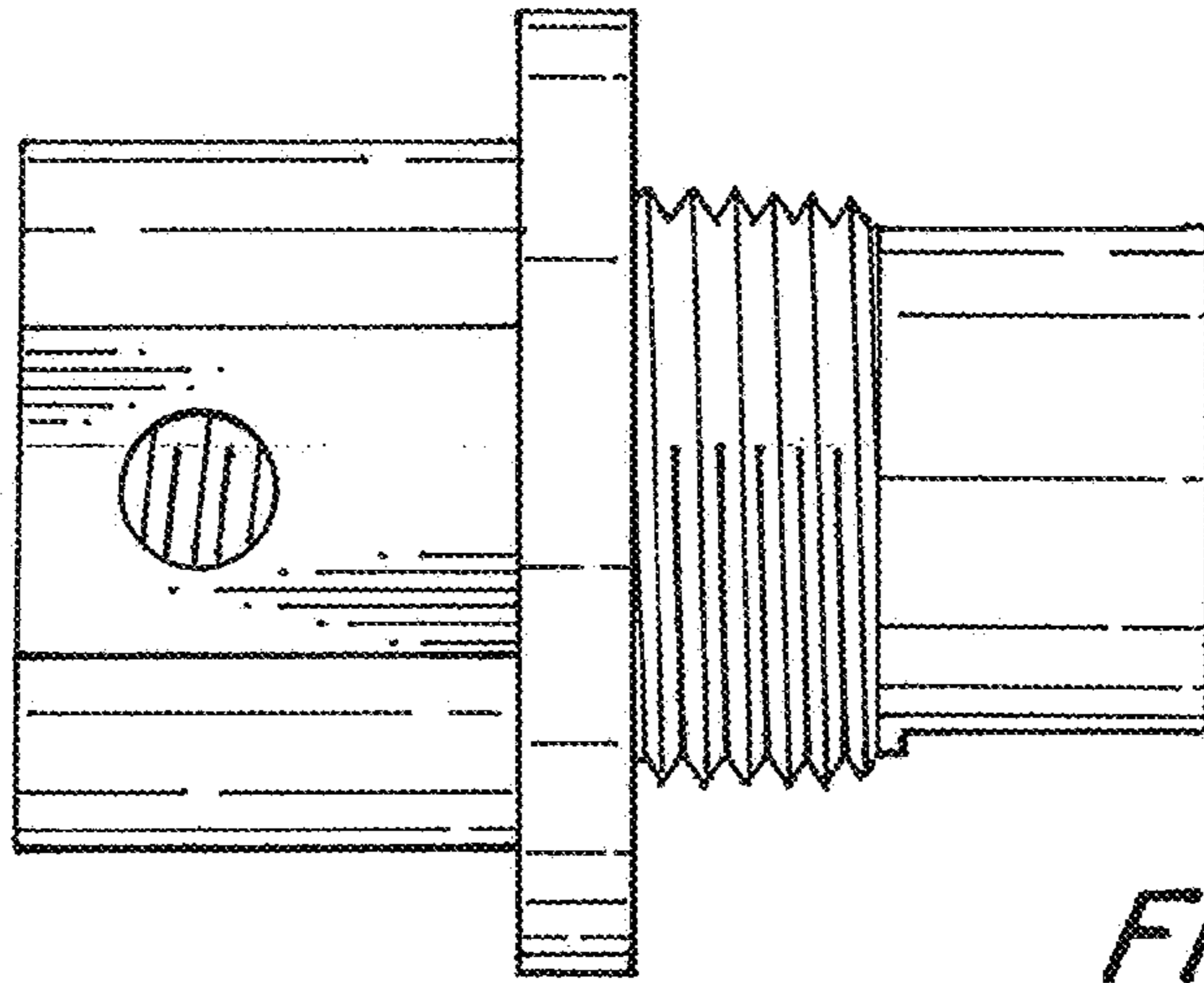


FIG. 6

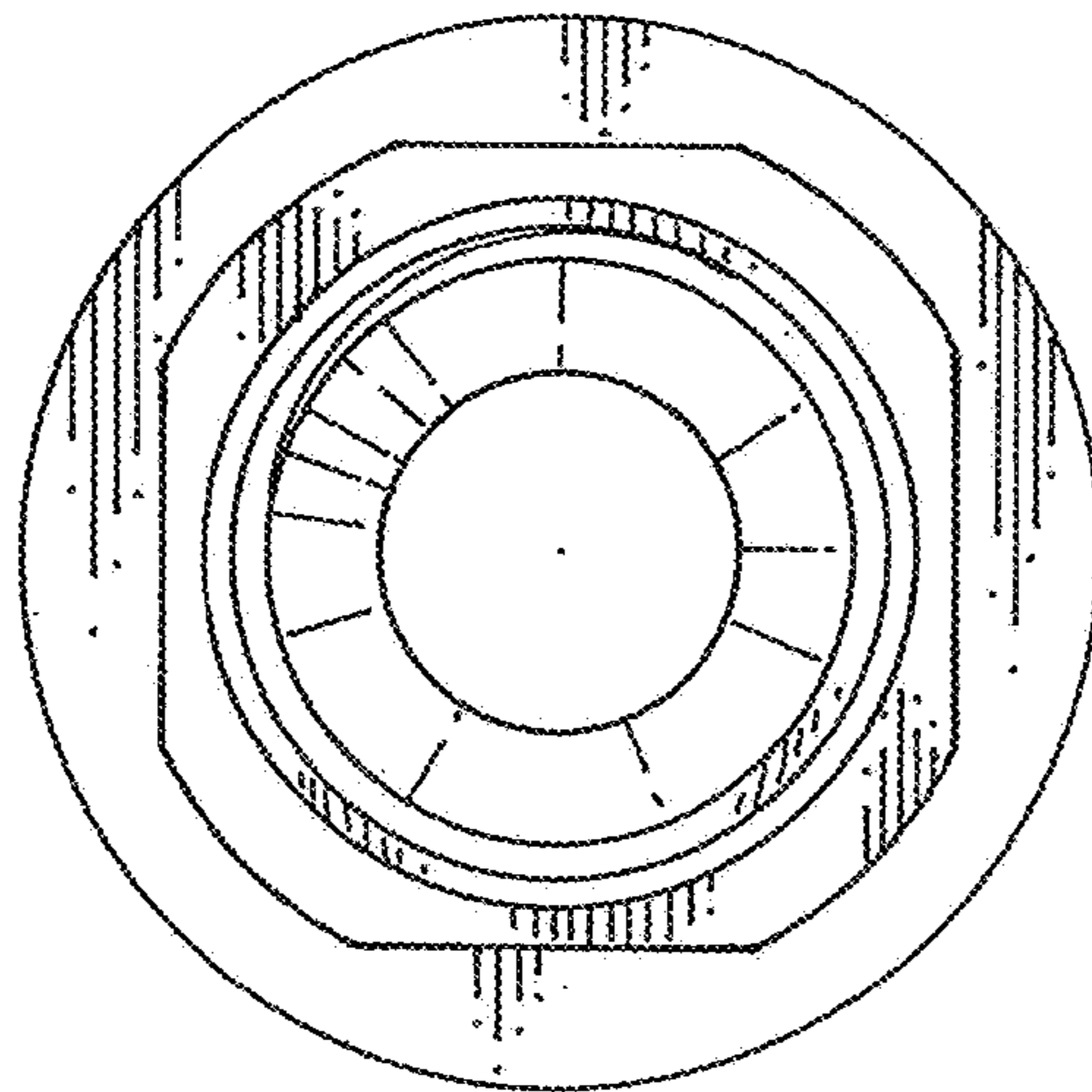


FIG. 7

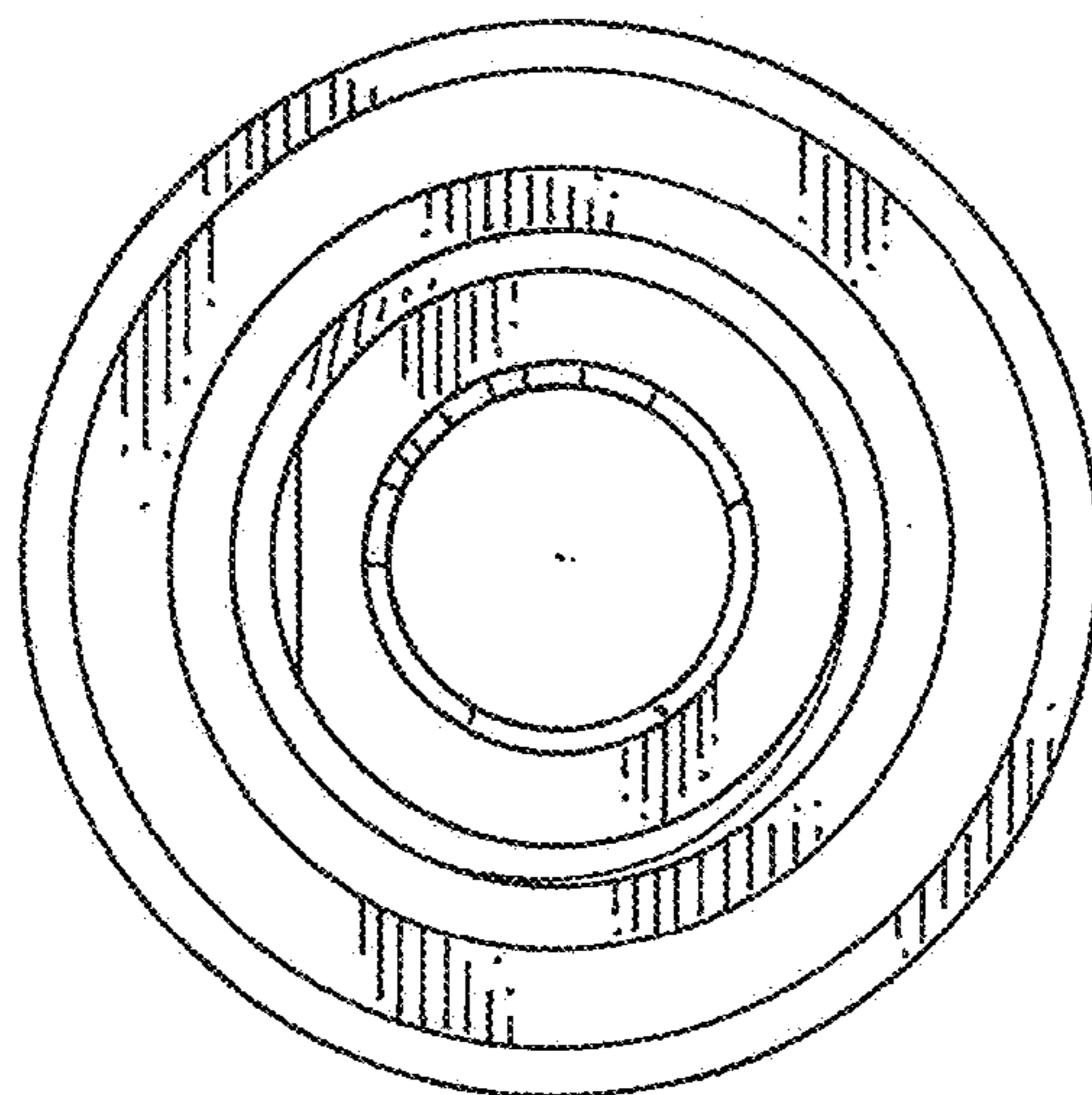


FIG. 8

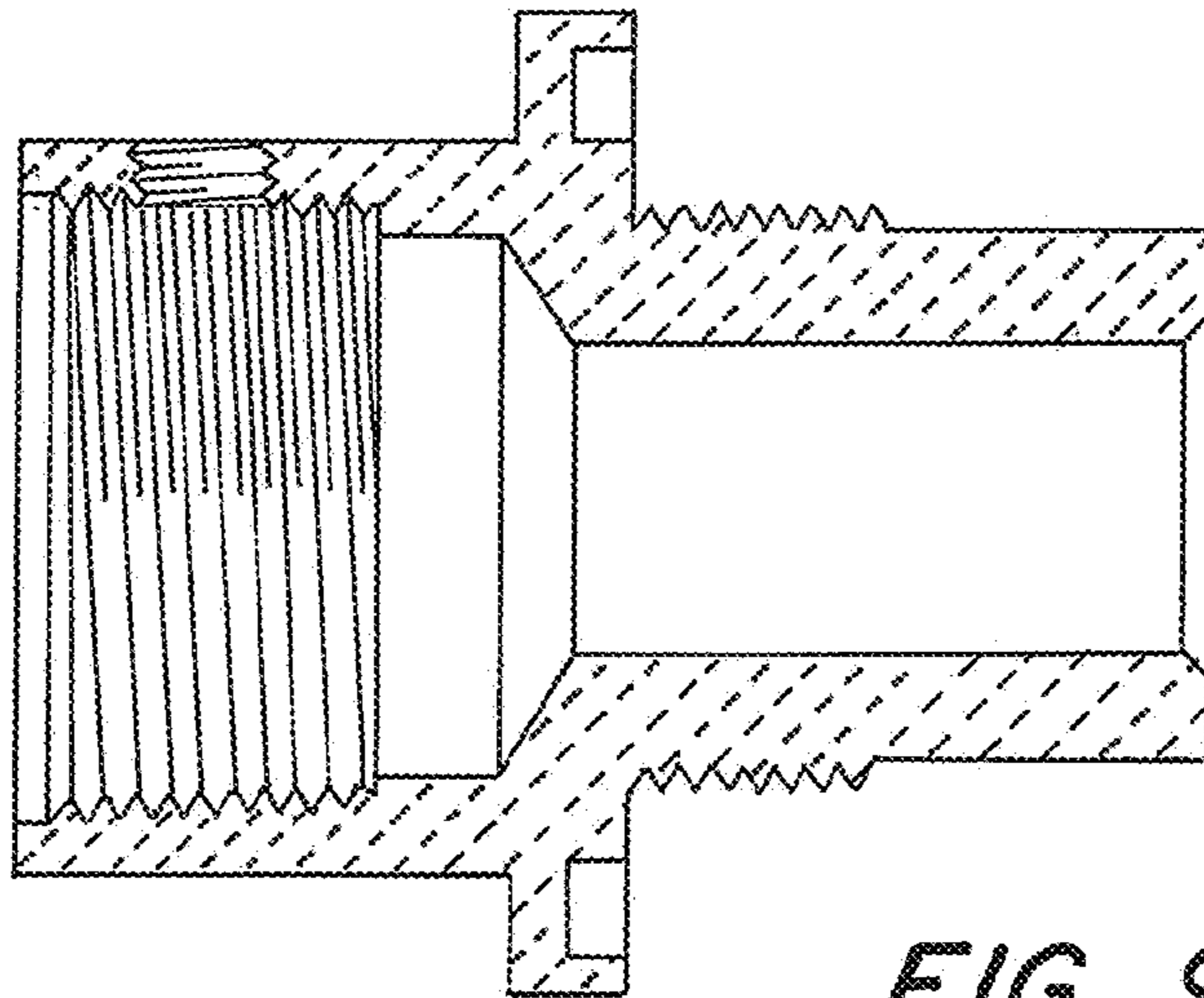


FIG. 9

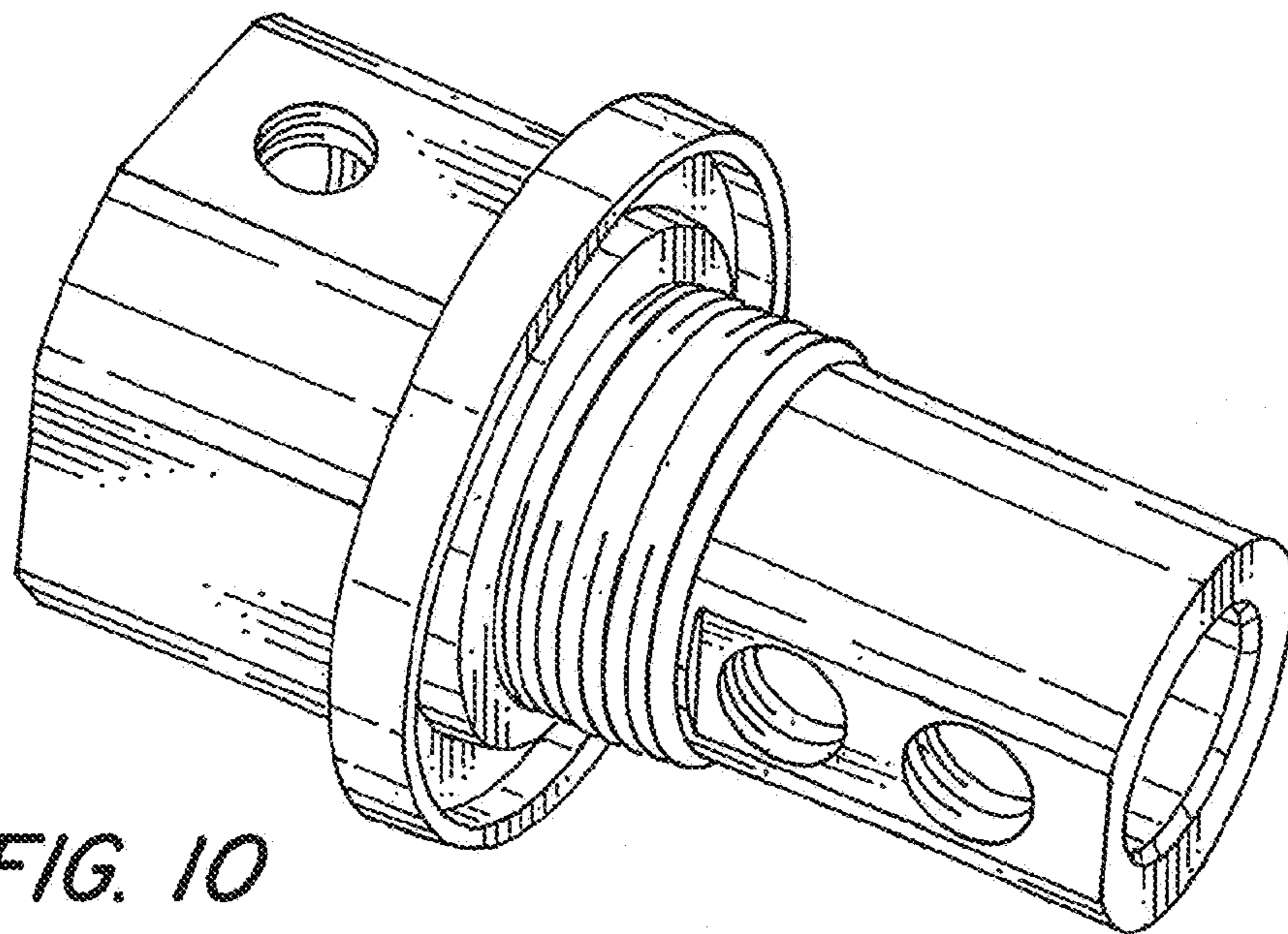


FIG. 10

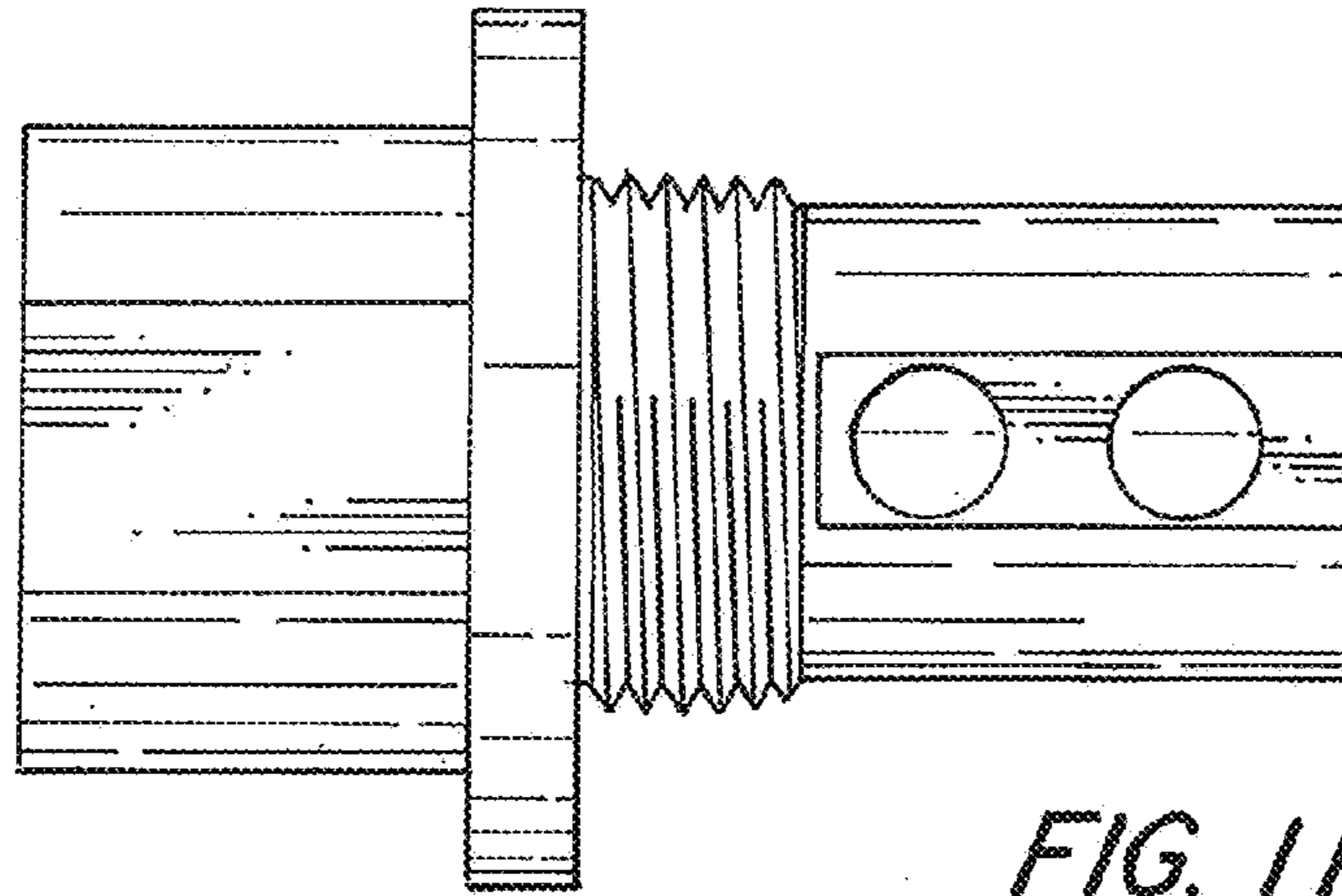


FIG. 11

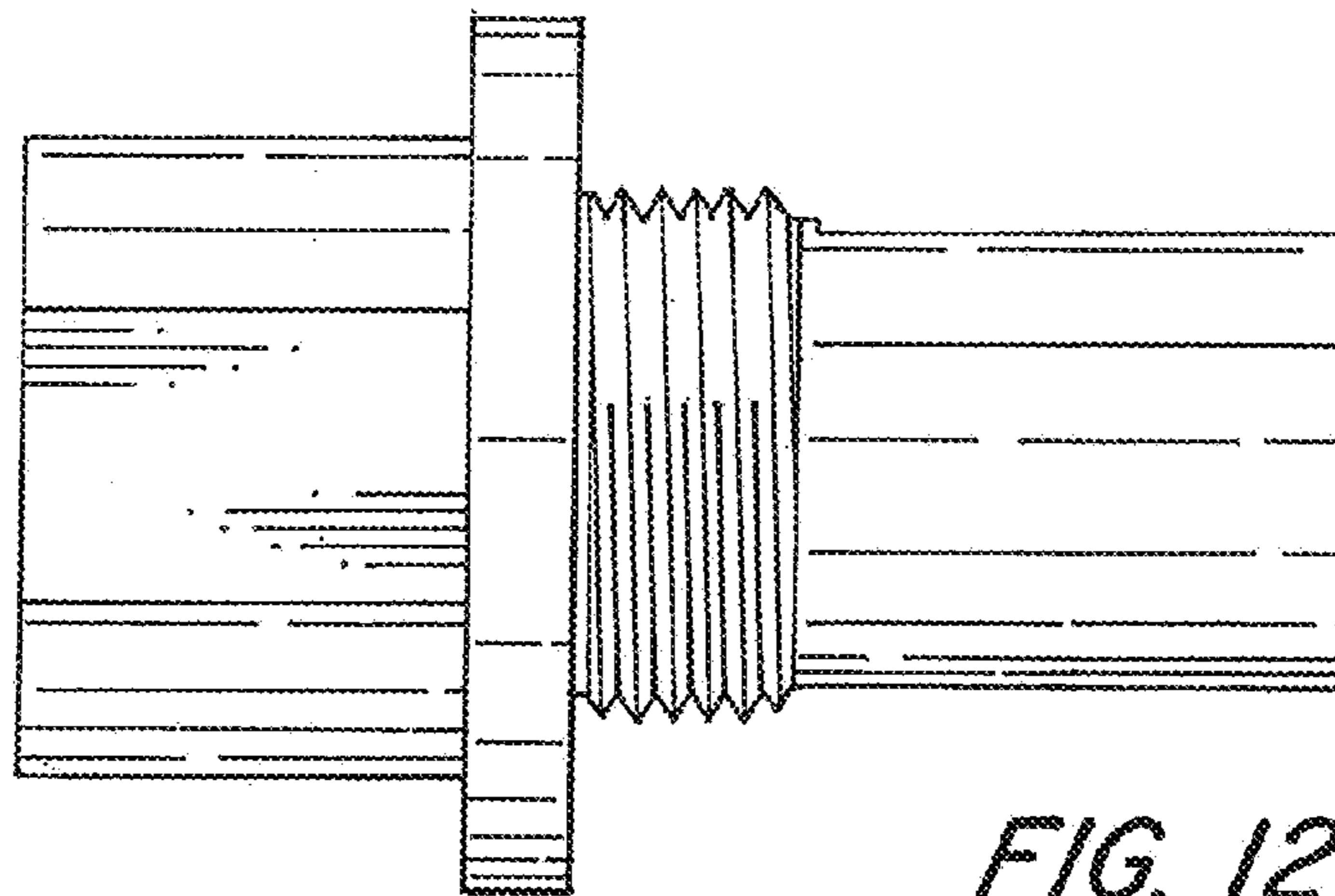


FIG. 12

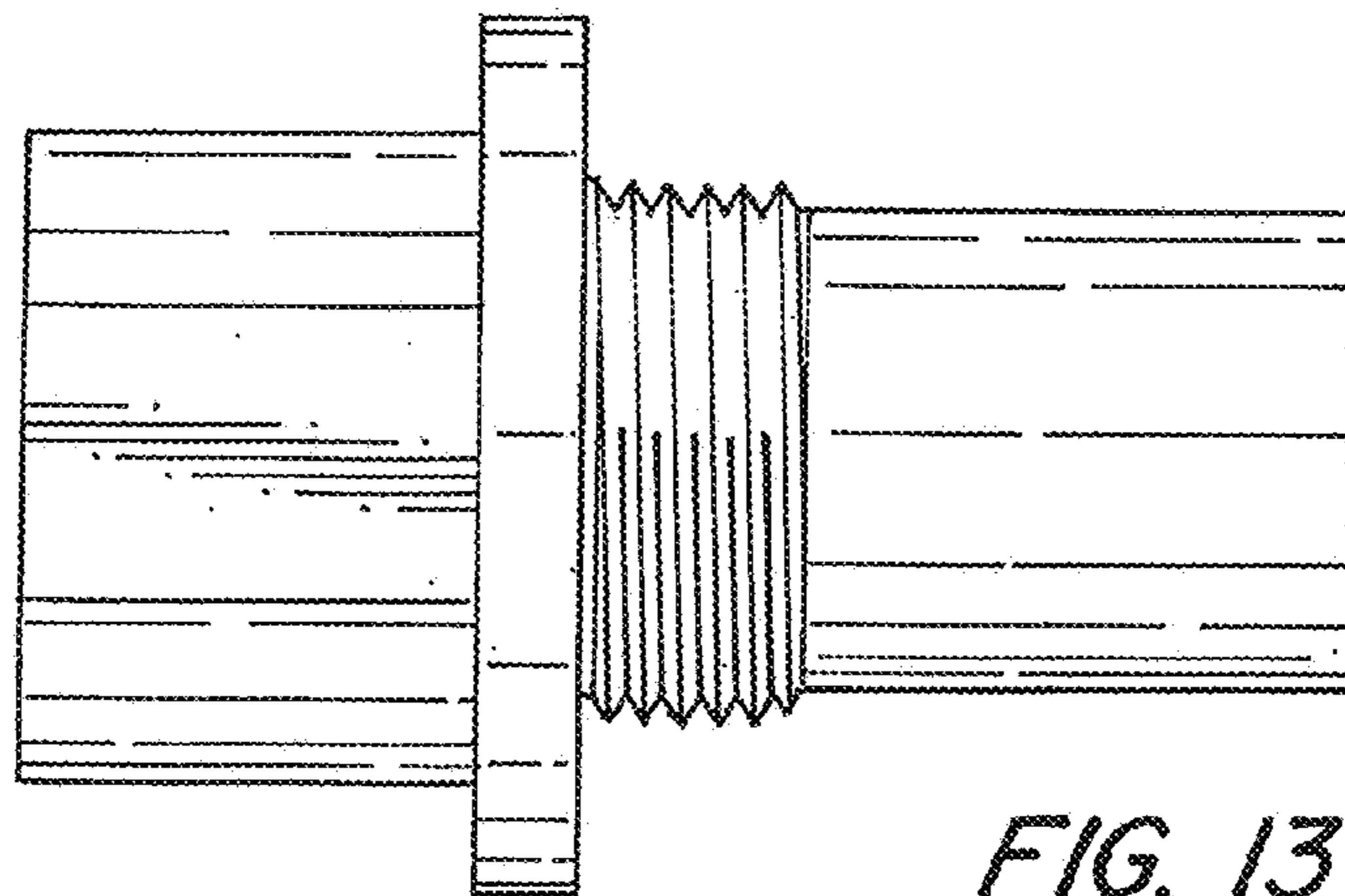


FIG. 13

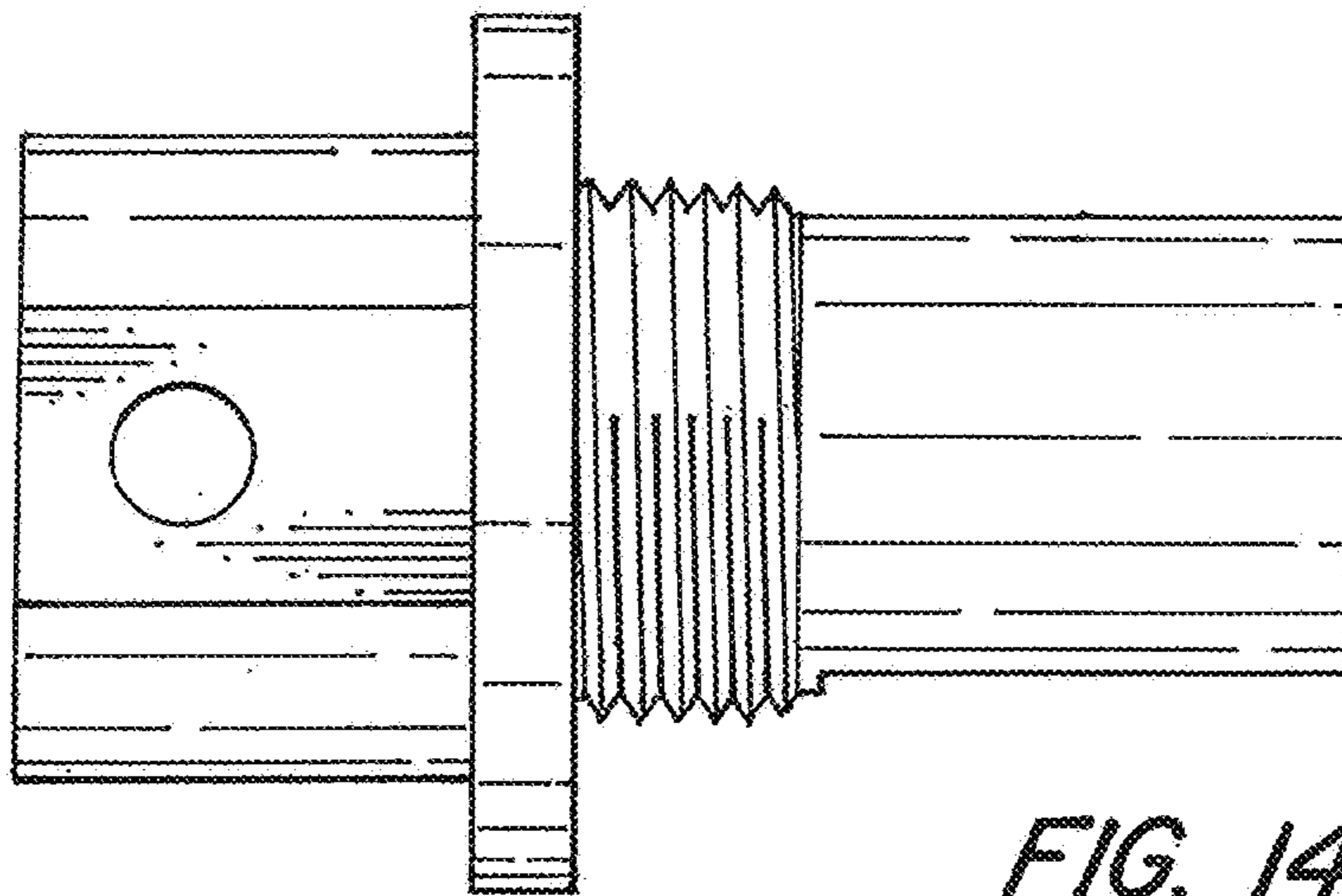


FIG. 14