



US00D703518S

(12) **United States Design Patent**
Lapping et al.

(10) **Patent No.:** **US D703,518 S**
(45) **Date of Patent:** **** Apr. 29, 2014**

(54) **HEADER RAIL FOR A SHOWER SCREEN OR THE LIKE**

(75) Inventors: **Nigel Lapping**, Guanaba (AU); **David Andrew Hills**, Panania (AU)

(73) Assignee: **JELD-WEN Australia Pty Ltd**, Rydalamere, New South Wales (AU)

(**) Term: **14 Years**

(21) Appl. No.: **29/407,091**

(22) Filed: **Nov. 22, 2011**

(30) **Foreign Application Priority Data**

| | | |
|--------------|------|------------|
| May 23, 2011 | (AU) | 12298/2011 |
| May 23, 2011 | (AU) | 12300/2011 |
| May 23, 2011 | (AU) | 12301/2011 |
| May 23, 2011 | (AU) | 12302/2011 |

(51) **LOC (10) Cl.** **08-05**

(52) **U.S. Cl.**
USPC **D8/376**

(58) **Field of Classification Search**
USPC D8/377, 376; D25/121-123, 119;
16/90, 93 D, 87.4 R, 94, 95 R, 96 R;
160/345-347; 211/183, 72, 70.6,
211/90.01, 162; 248/262, 265
See application file for complete search history.

(56) **References Cited**

U.S. PATENT DOCUMENTS

| | | | | | |
|------------|---|---------|---------|-------|---------|
| D29,669 S | * | 11/1898 | Bregel | | D8/377 |
| D189,447 S | * | 12/1960 | Attwood | | D25/121 |
| D251,451 S | * | 3/1979 | Toder | | D25/121 |

(Continued)

Primary Examiner — Robert M Spear

Assistant Examiner — Rashida C McCoy

(74) *Attorney, Agent, or Firm* — Stoel Rives LLP

(57) **CLAIM**

We claim the ornamental design for a header rail for a shower screen or the like, as shown and described.

DESCRIPTION

FIG. 1 is an isometric view of a header rail for a shower screen or the like shown in a partially telescoped position including an outer header rail portion and an inner header rail portion, according to a first embodiment;

FIG. 2 is a left end view thereof, of which a right end view is identical;

FIG. 3 is a front elevation view thereof, of which a rear elevation view is identical;

FIG. 4 is a top plan view thereof;

FIG. 5 is a bottom plan view thereof;

FIG. 6 is an isometric view of the outer header rail portion of FIG. 1; showing the inner header rail removed for clarity of disclosure;

FIG. 7 is a left end view thereof, of which a right end view is identical;

FIG. 8 is a front elevation view thereof, of which a rear elevation view is identical;

FIG. 9 is a top plan view thereof;

FIG. 10 is a bottom plan view thereof;

FIG. 11 is an isometric view of the inner header rail portion of FIG. 1; showing the outer header rail removed for clarity of disclosure;

FIG. 12 is a left end view thereof, of which a right end view is identical;

FIG. 13 is a front elevation view thereof, of which a rear elevation view is identical;

FIG. 14 is a top plan view thereof;

FIG. 15 is a bottom plan view thereof;

FIG. 16 is an isometric view header rail for a shower screen or the like shown in a partially telescoped position including an outer header rail portion and an inner header rail portion, according to a second embodiment;

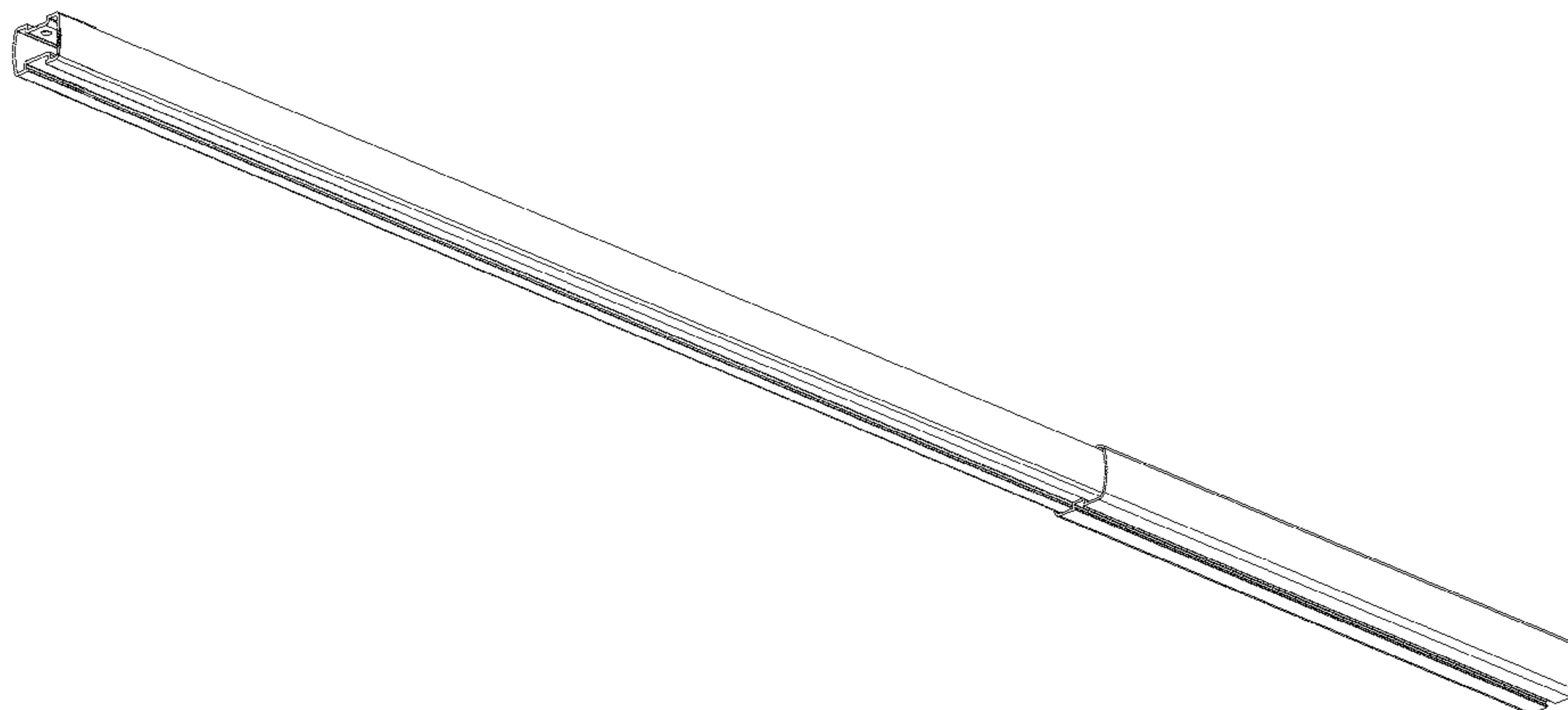
FIG. 17 is a left end view thereof, of which a right end view is identical;

FIG. 18 is a front elevation view thereof, of which a rear elevation view is identical;

FIG. 19 is a top plan view thereof; and,

FIG. 20 is a bottom plan view thereof.

1 Claim, 20 Drawing Sheets



US D703,518 S

Page 2

(56)

References Cited

U.S. PATENT DOCUMENTS

| | | | | |
|--------------|--------|-----------------|--------|---------------------|
| D260,135 S * | 8/1981 | Fairbanks | D8/377 | |
| D307,941 S * | 5/1990 | Rudinski | D25/55 | * cited by examiner |
| D419,858 S * | 2/2000 | Bosgoed | D8/377 | |
| D424,415 S * | 5/2000 | Buttler | D8/376 | |
| D488,055 S * | 4/2004 | Ter Braak | D8/377 | |

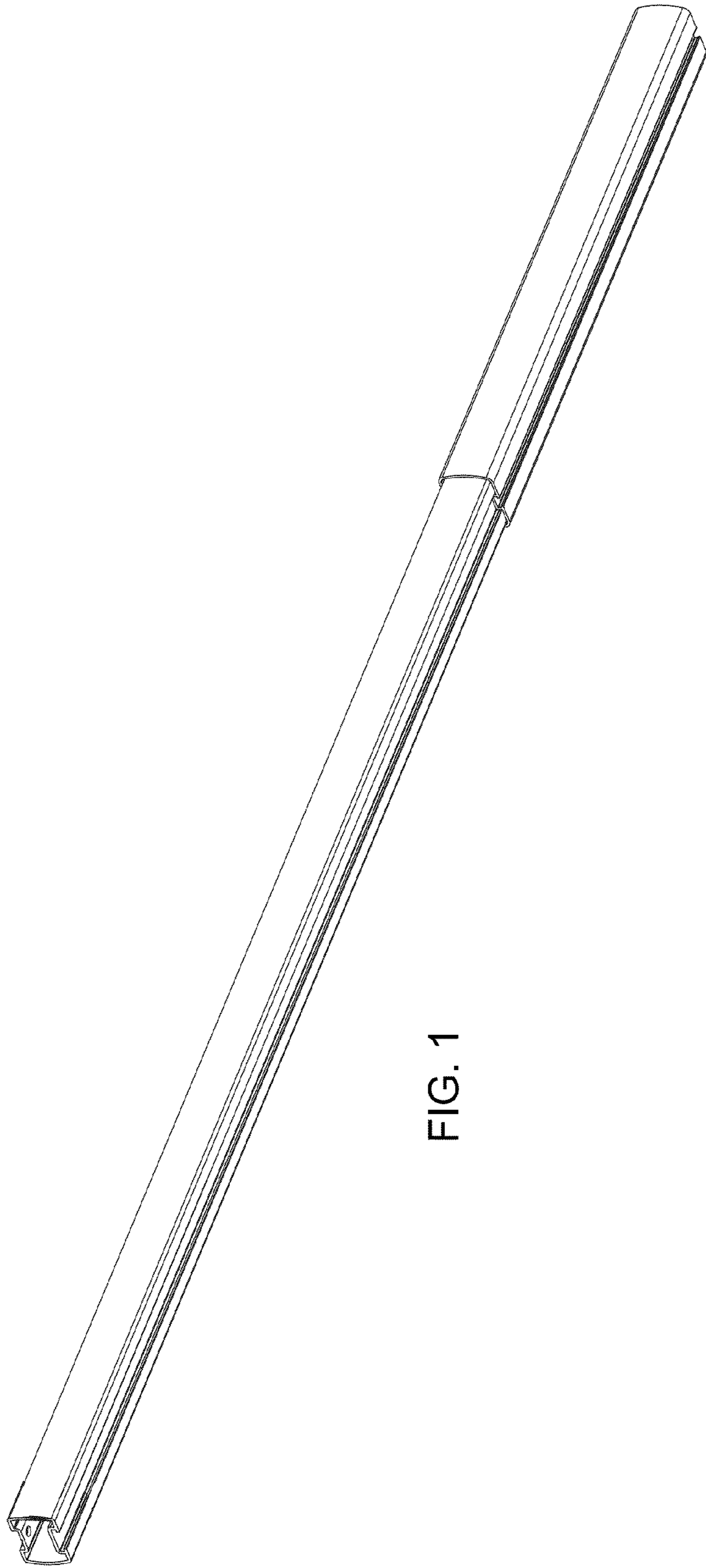


FIG. 1

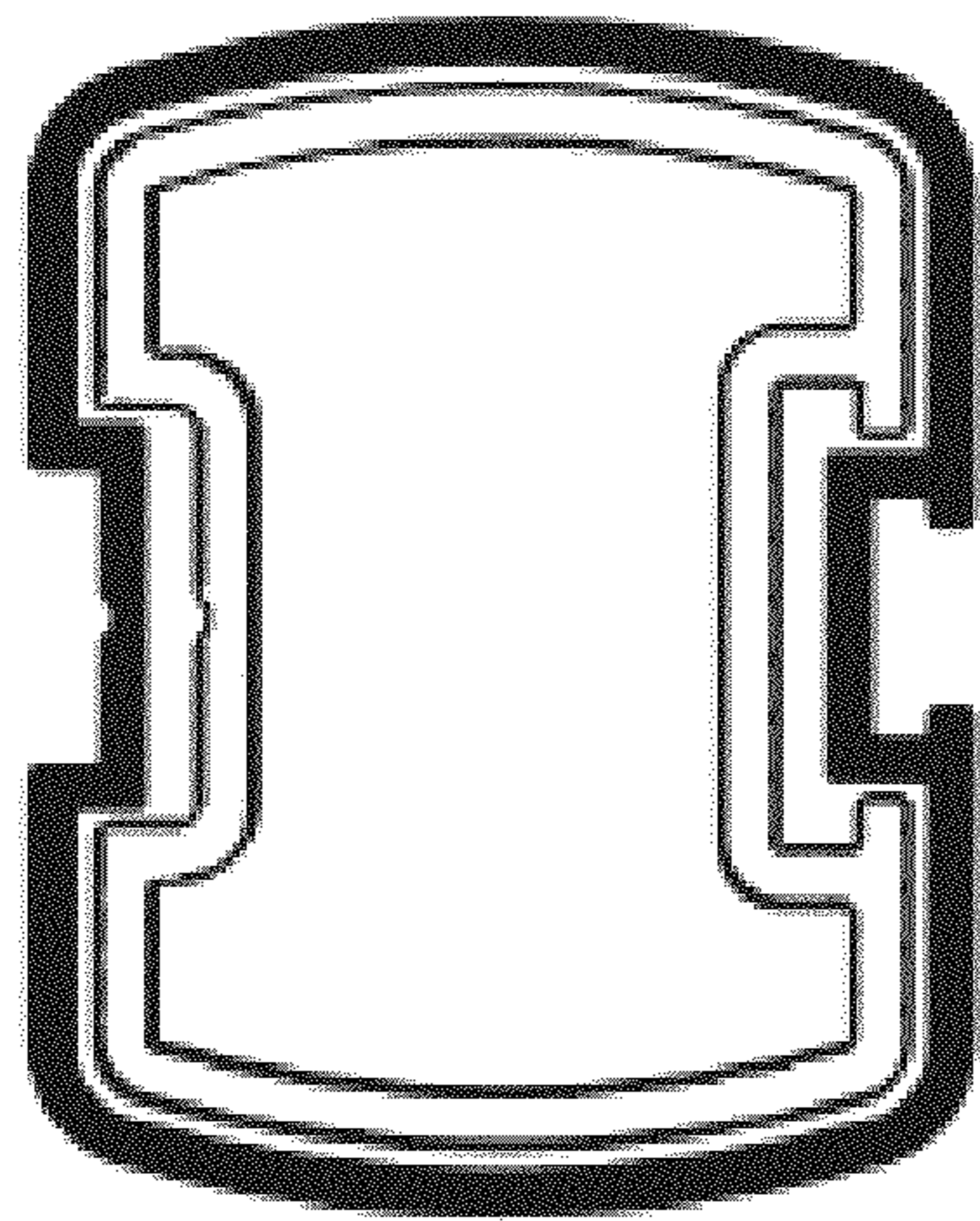


FIG. 2

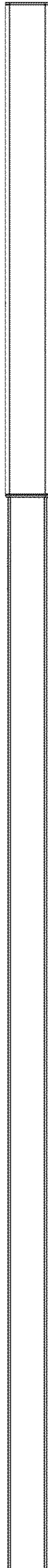


FIG. 3

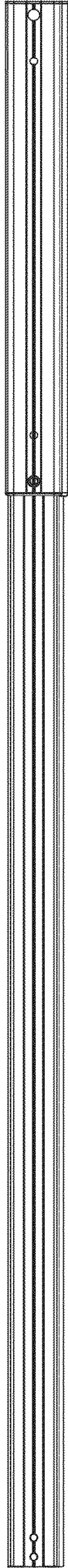


FIG. 4

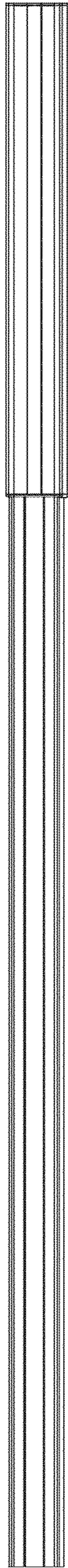


FIG. 5

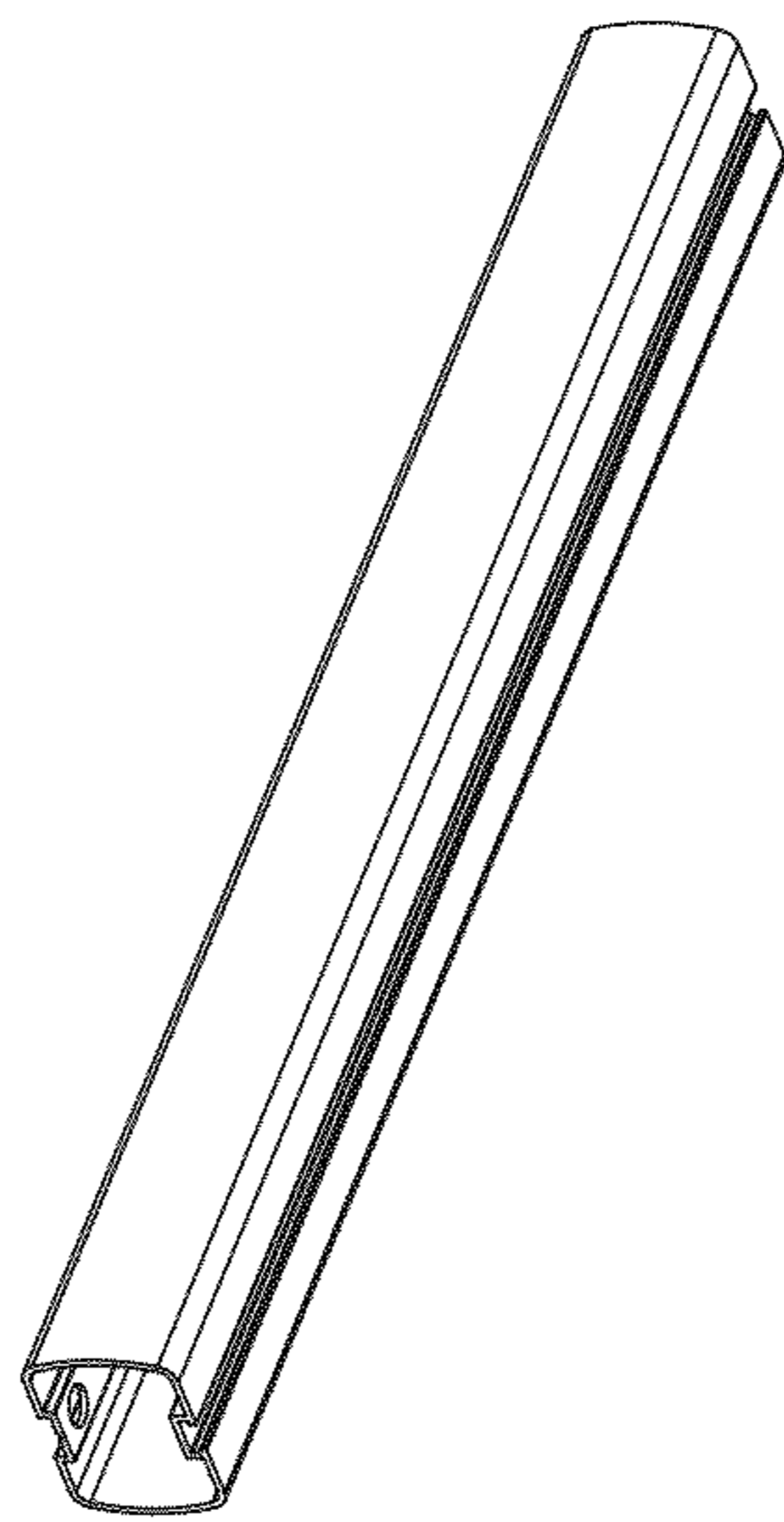


FIG. 6

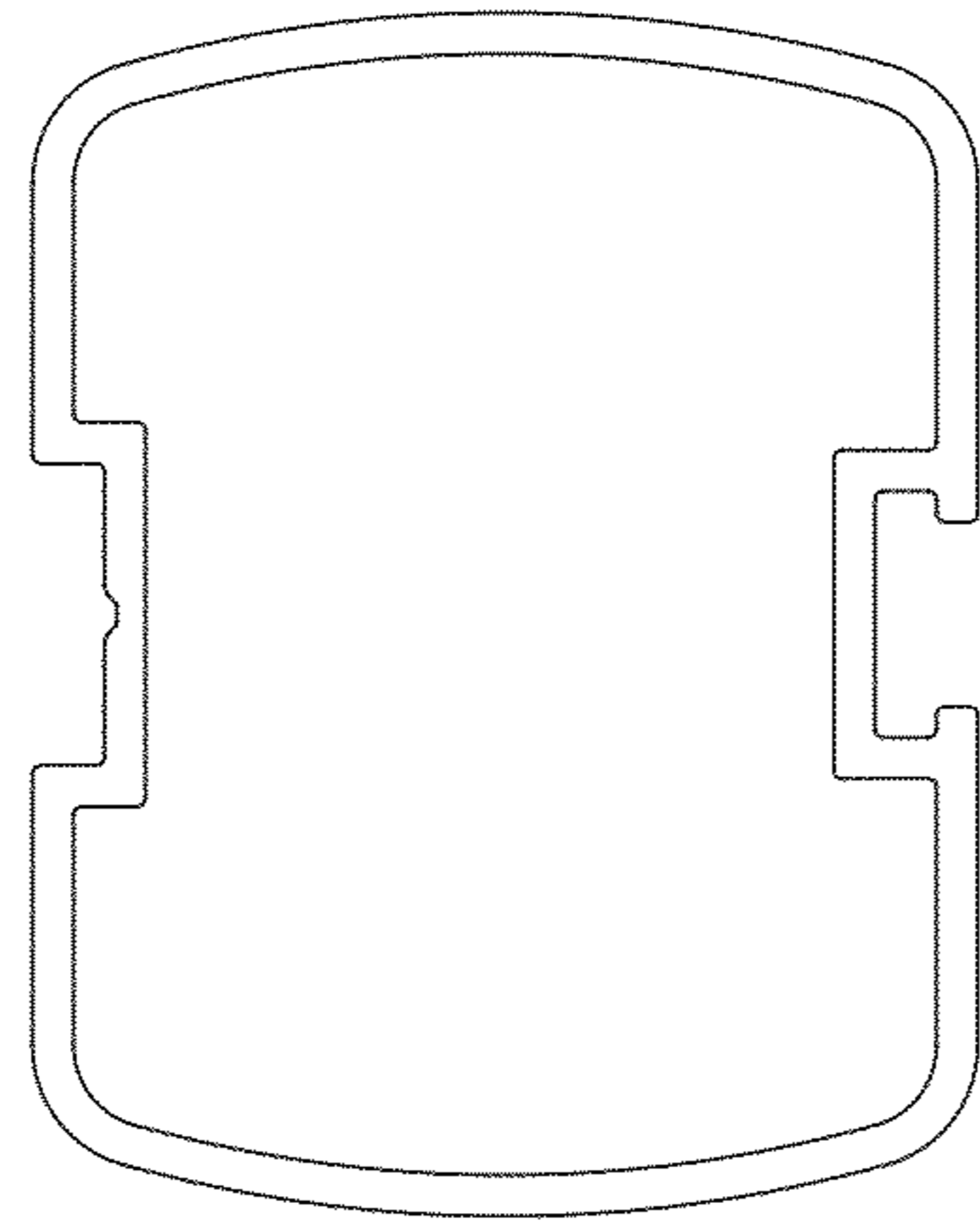


FIG. 7



FIG. 8

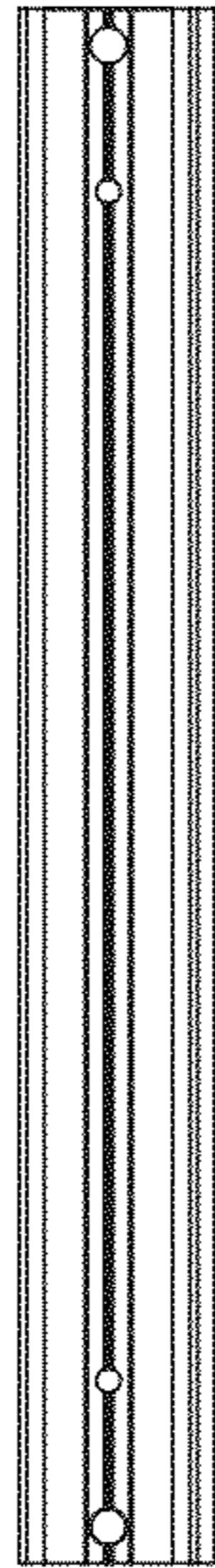


FIG. 9



FIG. 10

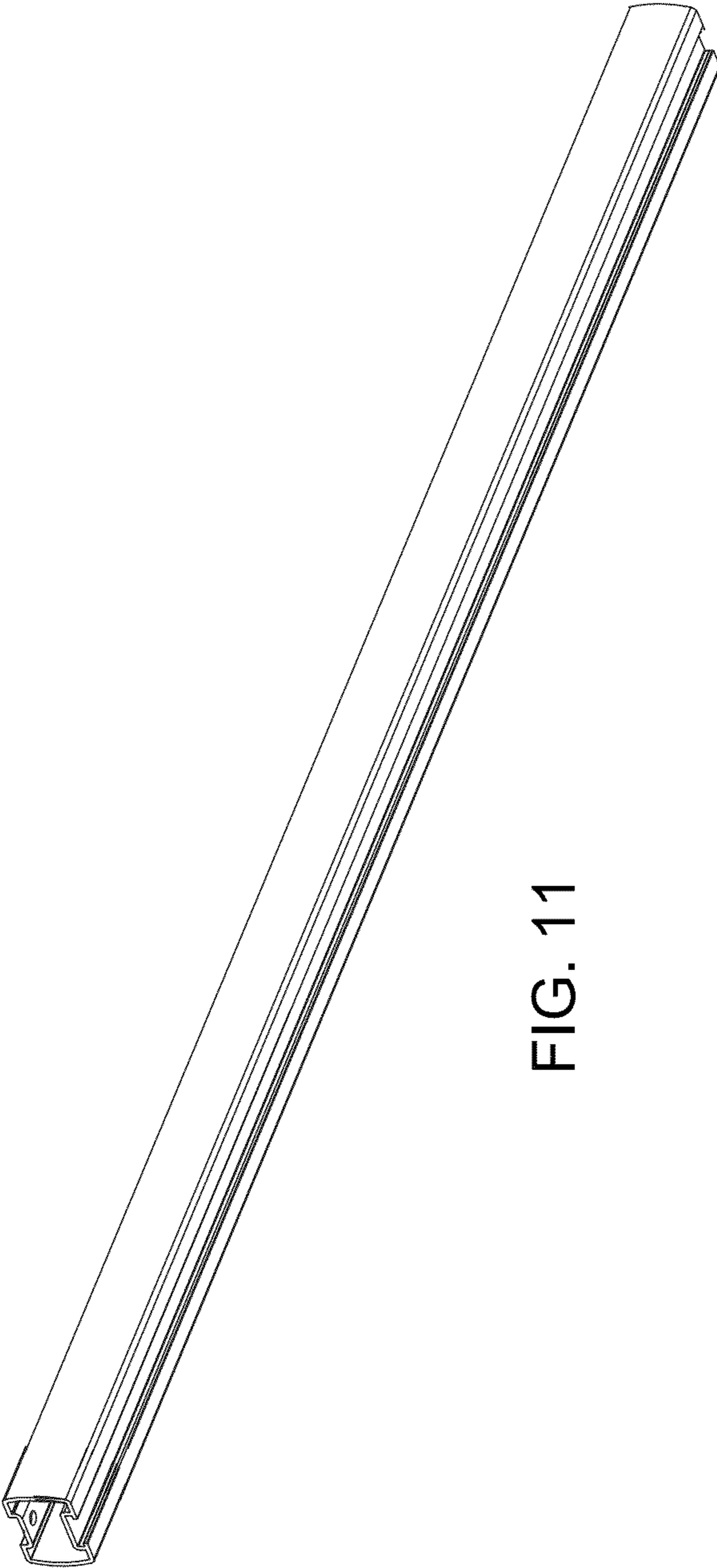


FIG. 11

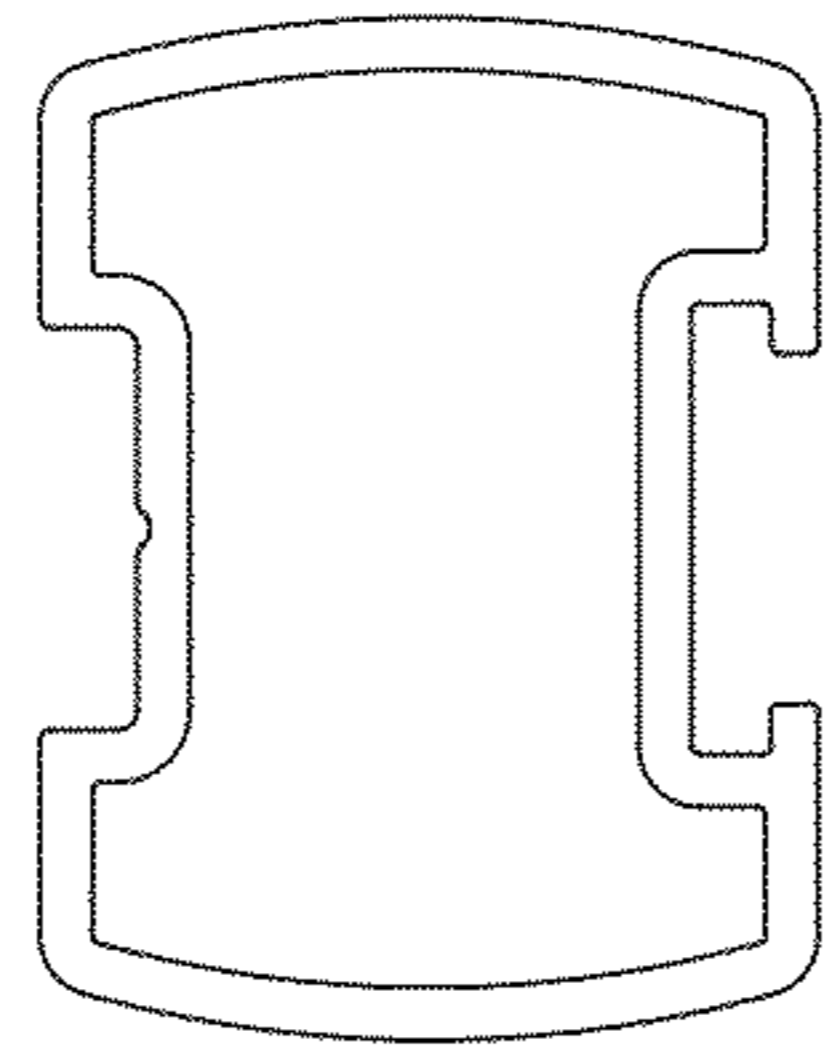


FIG. 12



FIG. 13

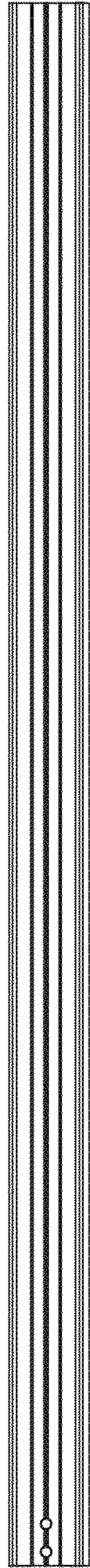


FIG. 14



FIG. 15

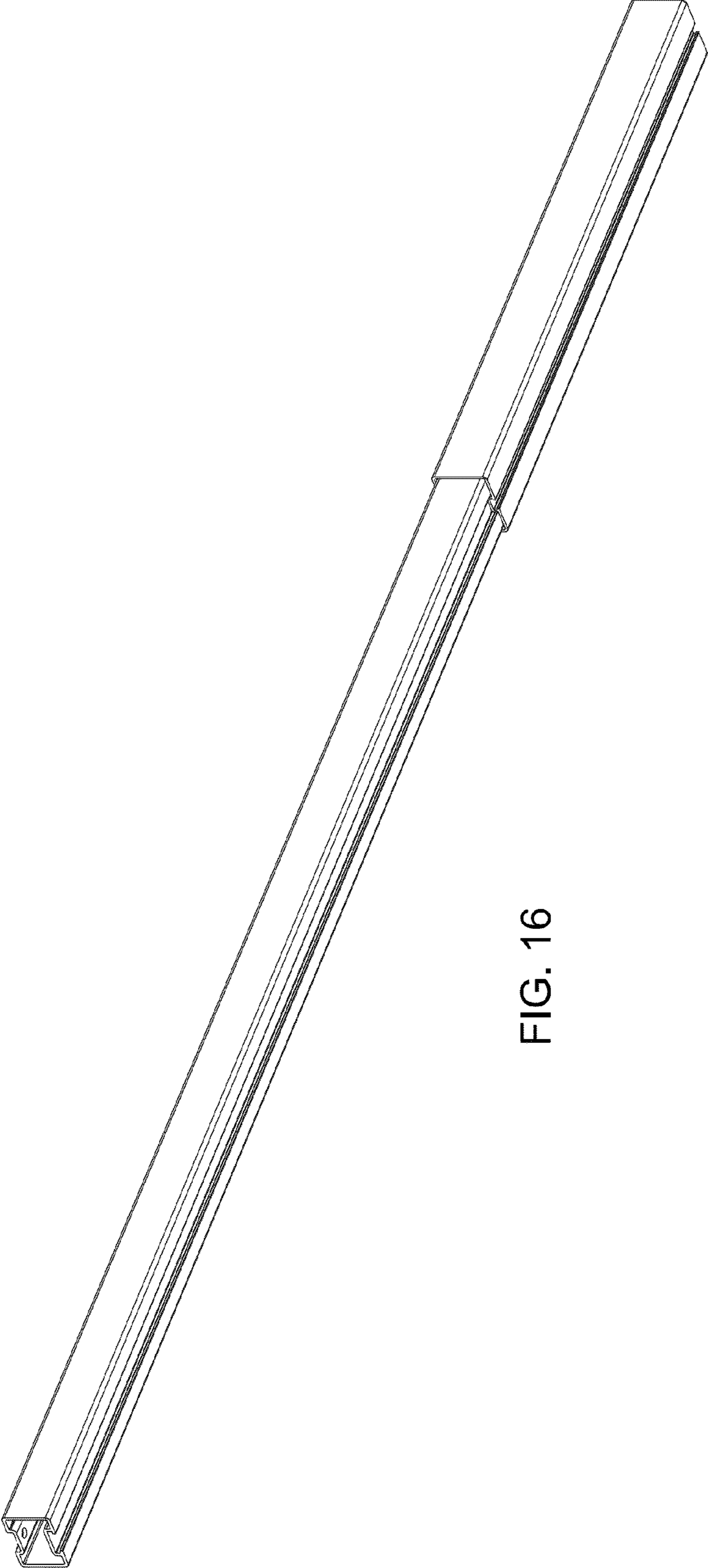


FIG. 16

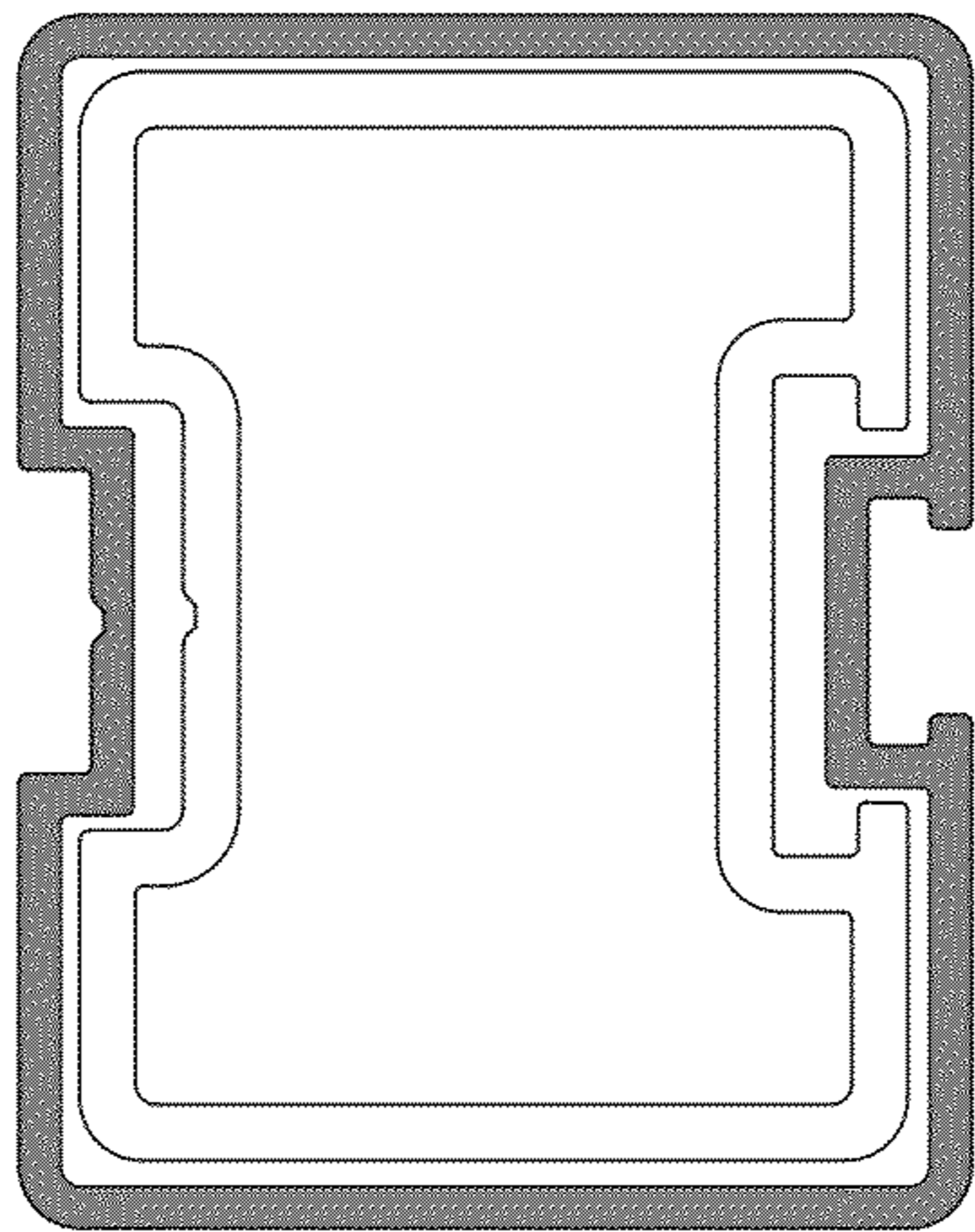


FIG. 17



FIG. 18

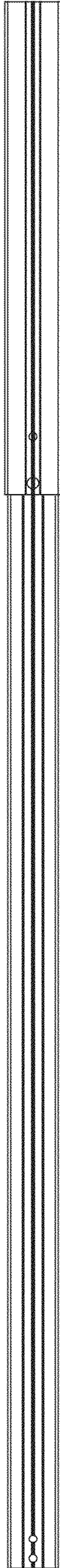


FIG. 19



FIG. 20