



US00D703517S

(12) **United States Design Patent**
Stromberg

(10) **Patent No.:** **US D703,517 S**

(45) **Date of Patent:** **** Apr. 29, 2014**

(54) **HOOK**

(71) Applicant: **Michael Edwin Stromberg**, Reedsburg, WI (US)

(72) Inventor: **Michael Edwin Stromberg**, Reedsburg, WI (US)

(73) Assignee: **Cargo Strategies LLC**, Reedsburg, WI (US)

(**) Term: **14 Years**

(21) Appl. No.: **29/447,243**

(22) Filed: **Mar. 1, 2013**

(51) **LOC (10) Cl.** **08-05**

(52) **U.S. Cl.**
USPC **D8/370**

(58) **Field of Classification Search**
USPC D8/367, 370; 248/301-304
See application file for complete search history.

(56) **References Cited**

U.S. PATENT DOCUMENTS

D458,116 S *	6/2002	Roethler	D8/367
D464,560 S *	10/2002	Kalat	D8/370
D464,869 S *	10/2002	Kalat	D8/370
D499,008 S *	11/2004	Chang	D8/370
D629,291 S *	12/2010	Veilleux	D8/370

* cited by examiner

Primary Examiner — Holly Baynham

(74) *Attorney, Agent, or Firm* — Quarles & Brady LLP

(57) **CLAIM**

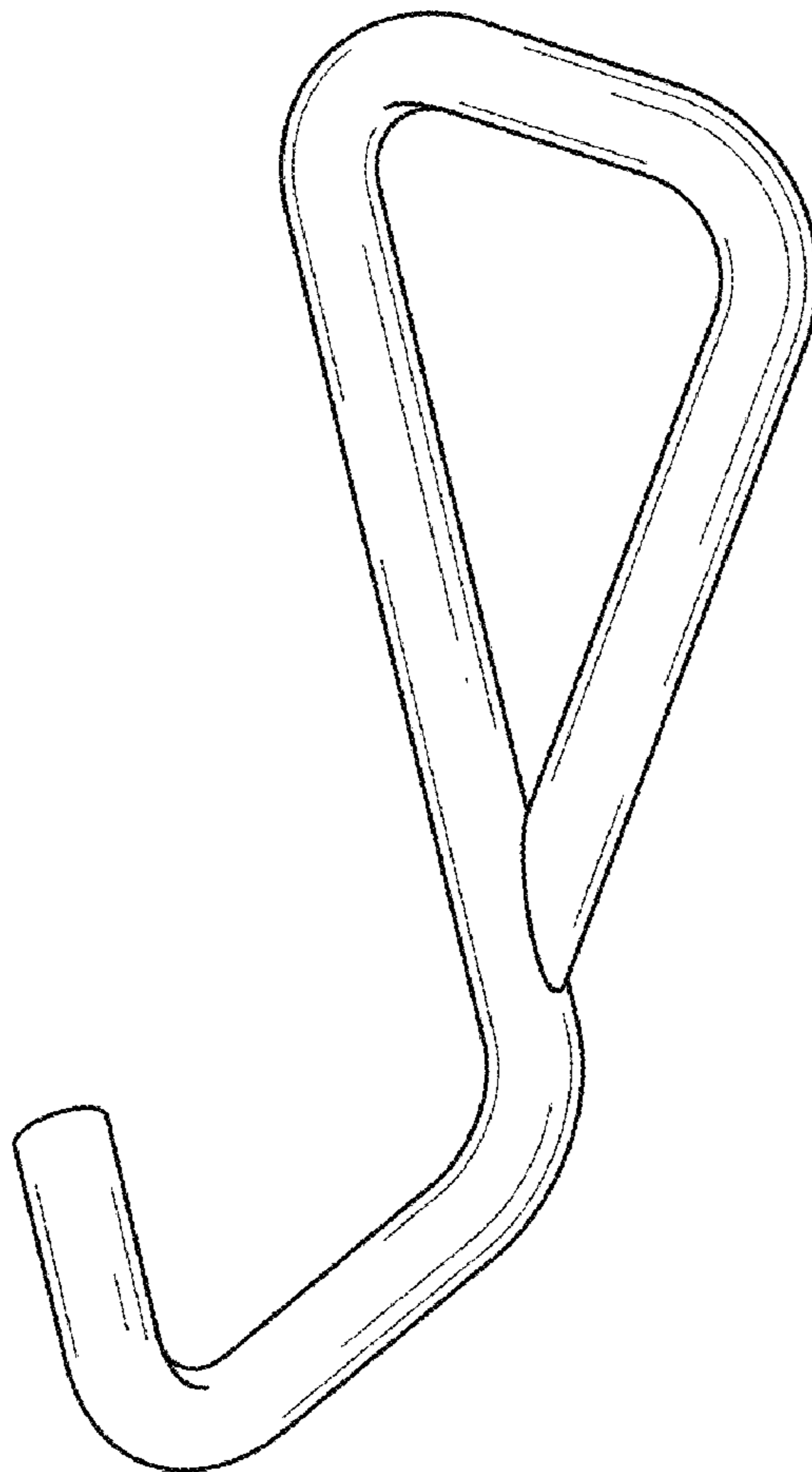
The ornamental design for a hook, as shown and described.

DESCRIPTION

FIG. 1 is an isometric view of a top, front, and left side of an ornamental design for a hook;

FIG. 2 is a left side elevational view of the hook of FIG. 1; FIG. 3 is a right side elevational view of the hook of FIG. 1; FIG. 4 is a rear elevational view of the hook of FIG. 1; FIG. 5 is a front elevational view of the hook of FIG. 1; FIG. 6 is a top plan view of the hook of FIG. 1; and, FIG. 7 is a bottom plan view of the hook of FIG. 1.

1 Claim, 2 Drawing Sheets



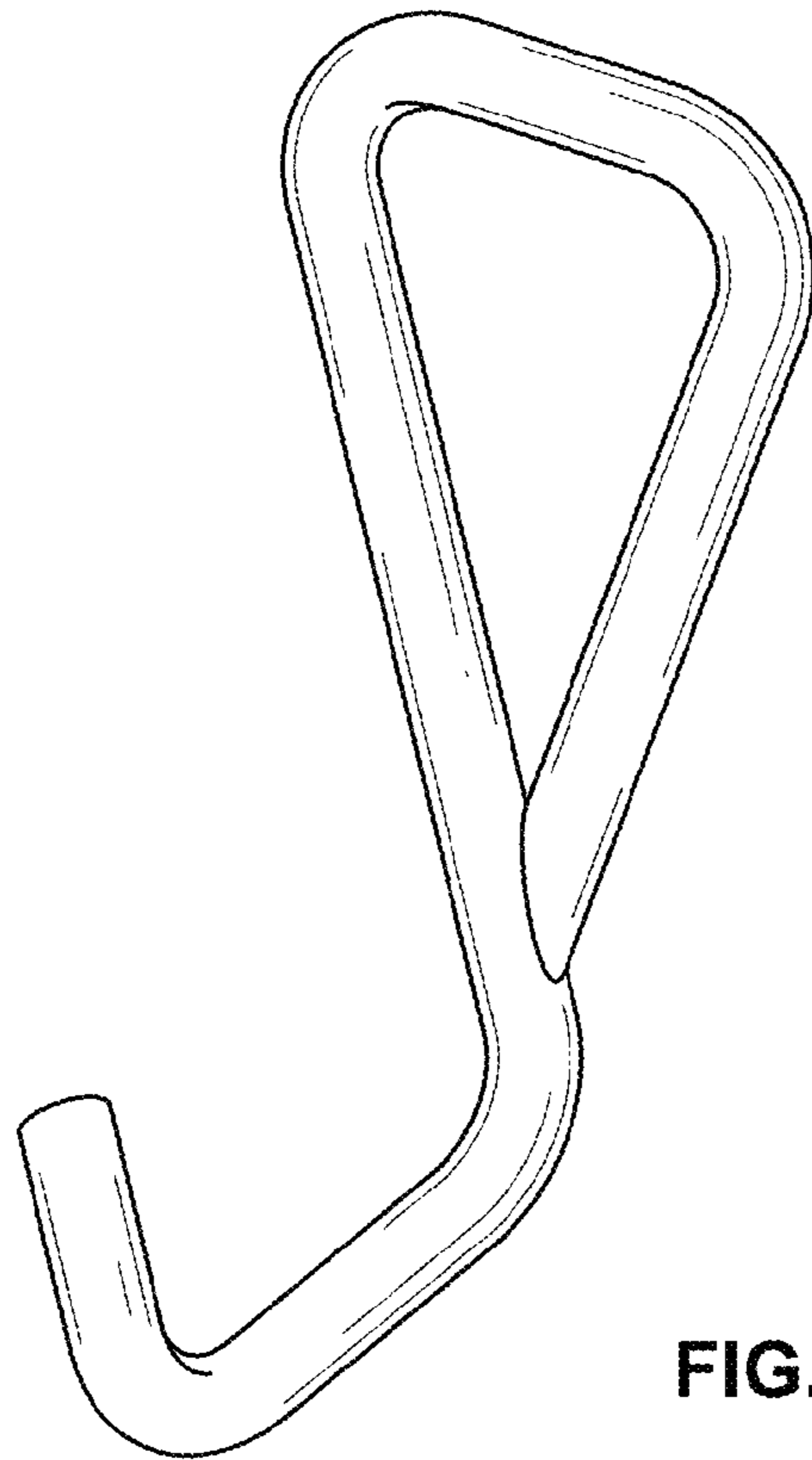


FIG. 1

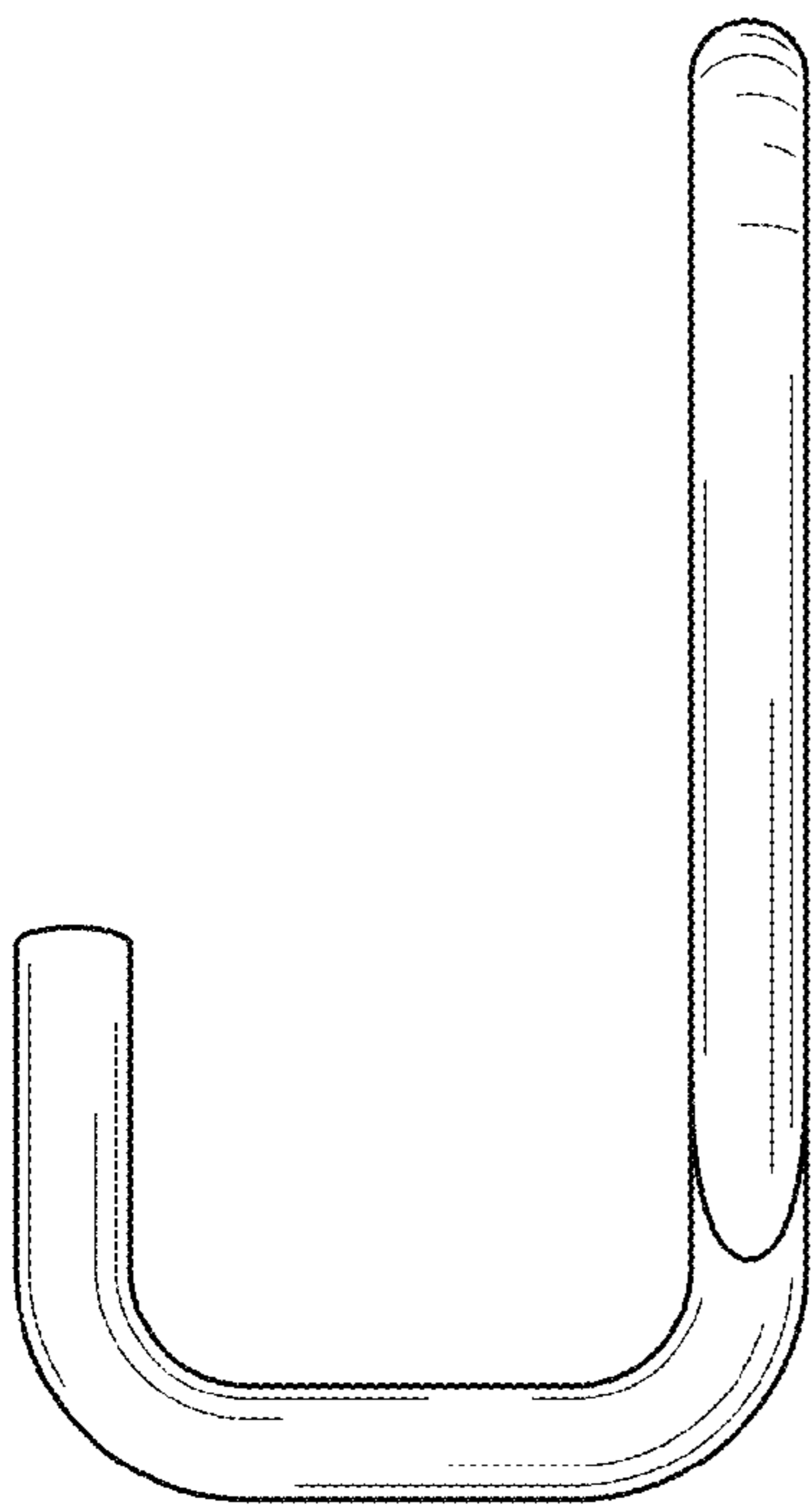


FIG. 2

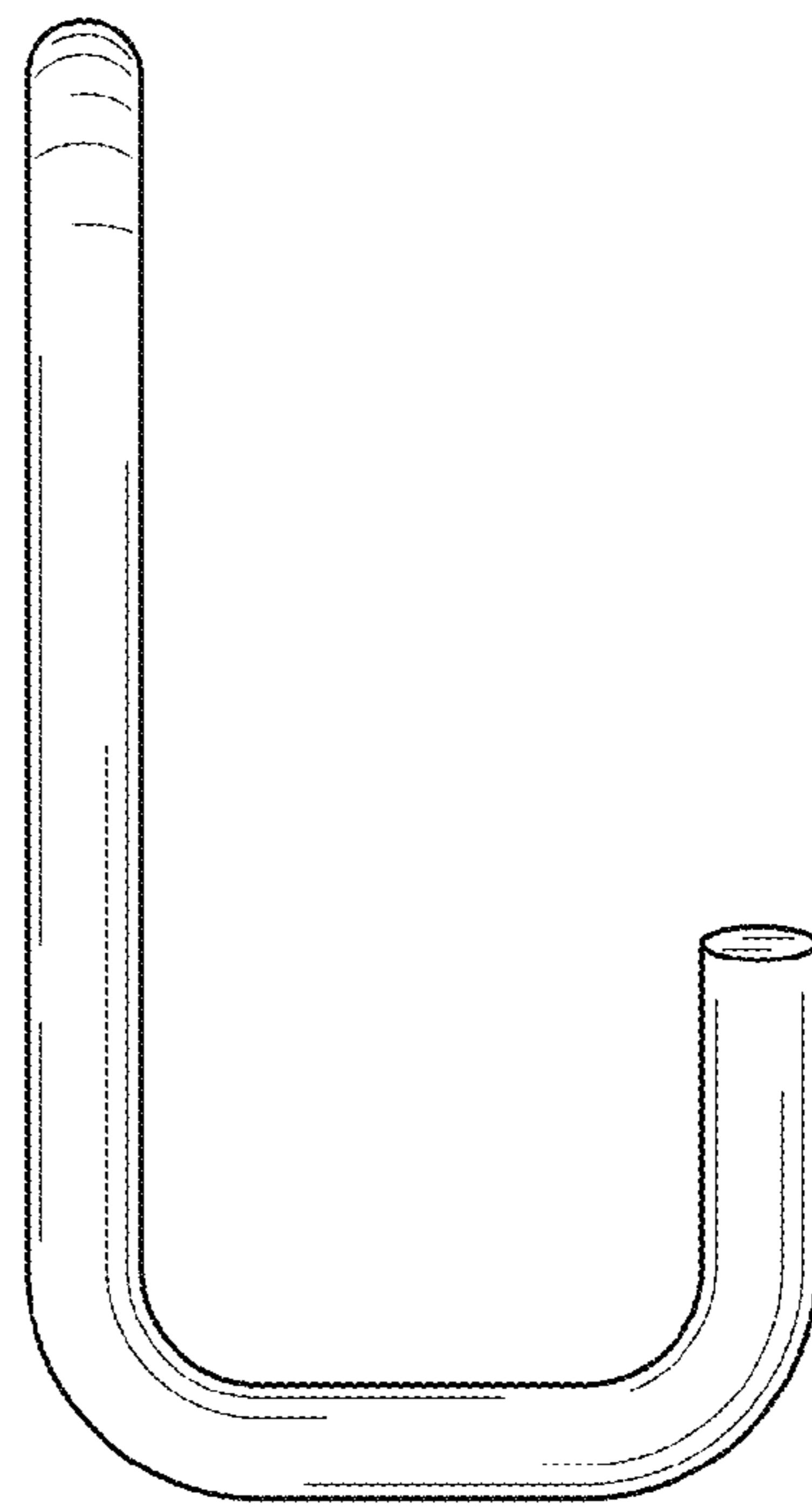


FIG. 3

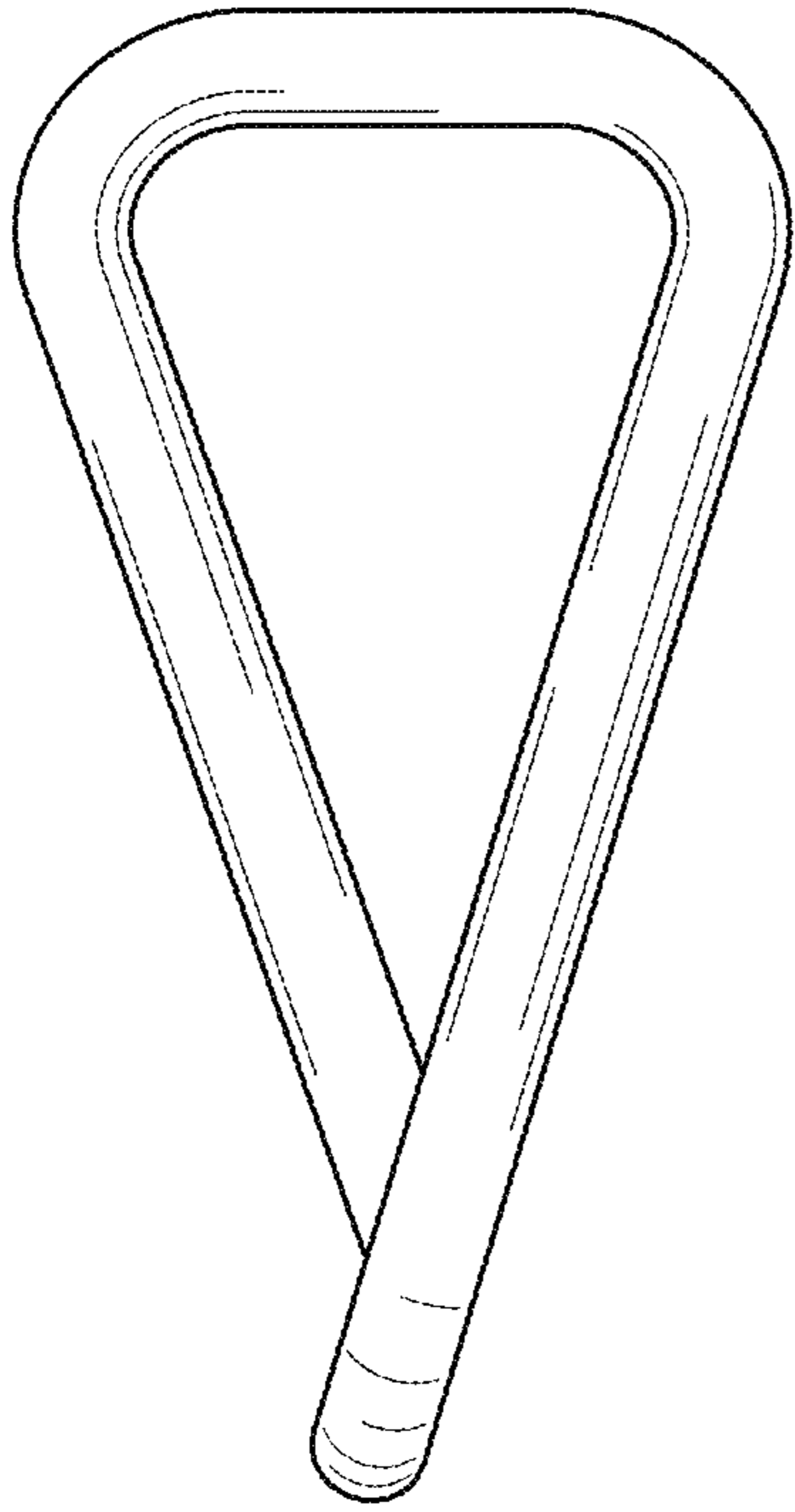


FIG. 4

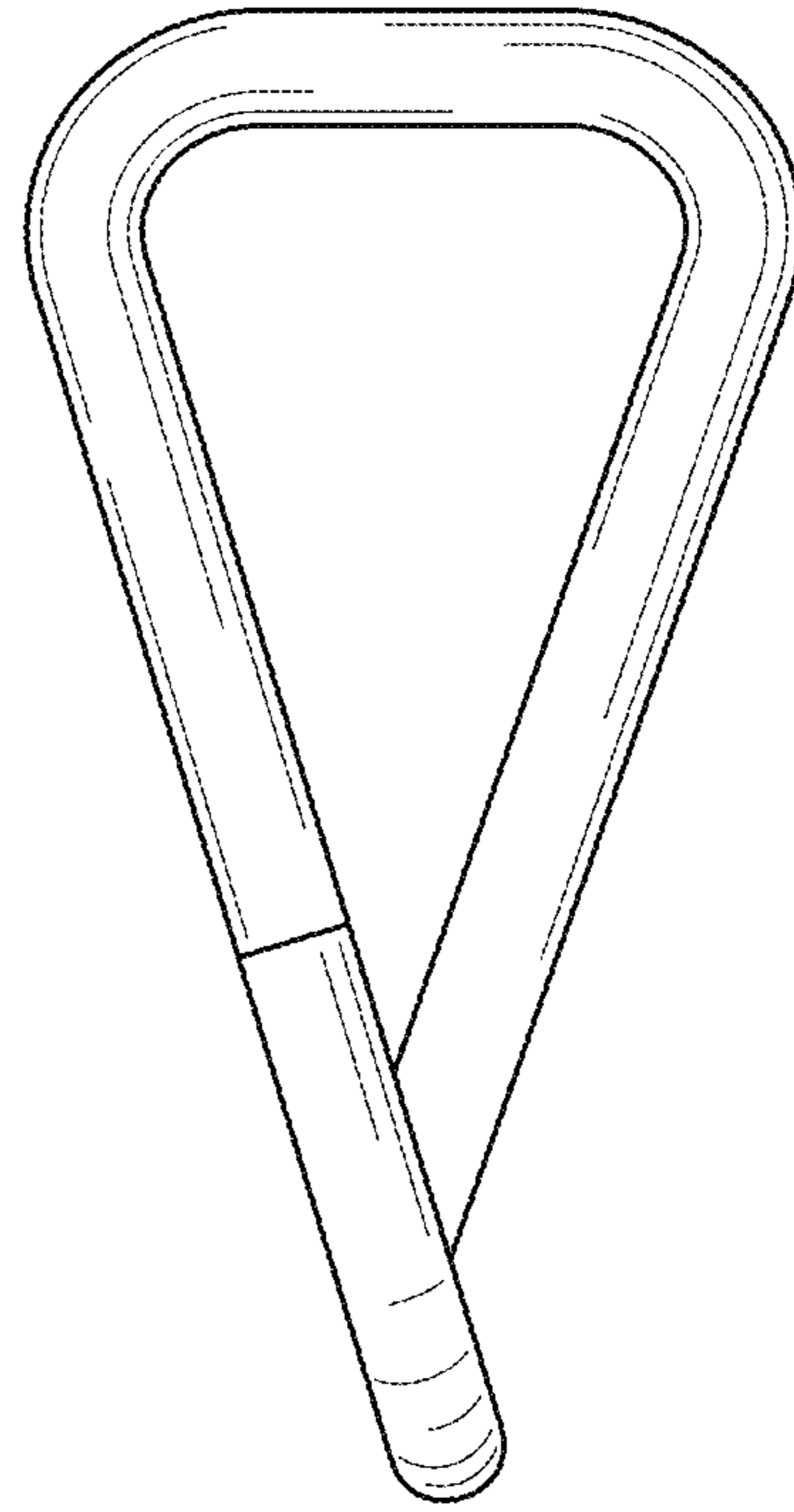


FIG. 5

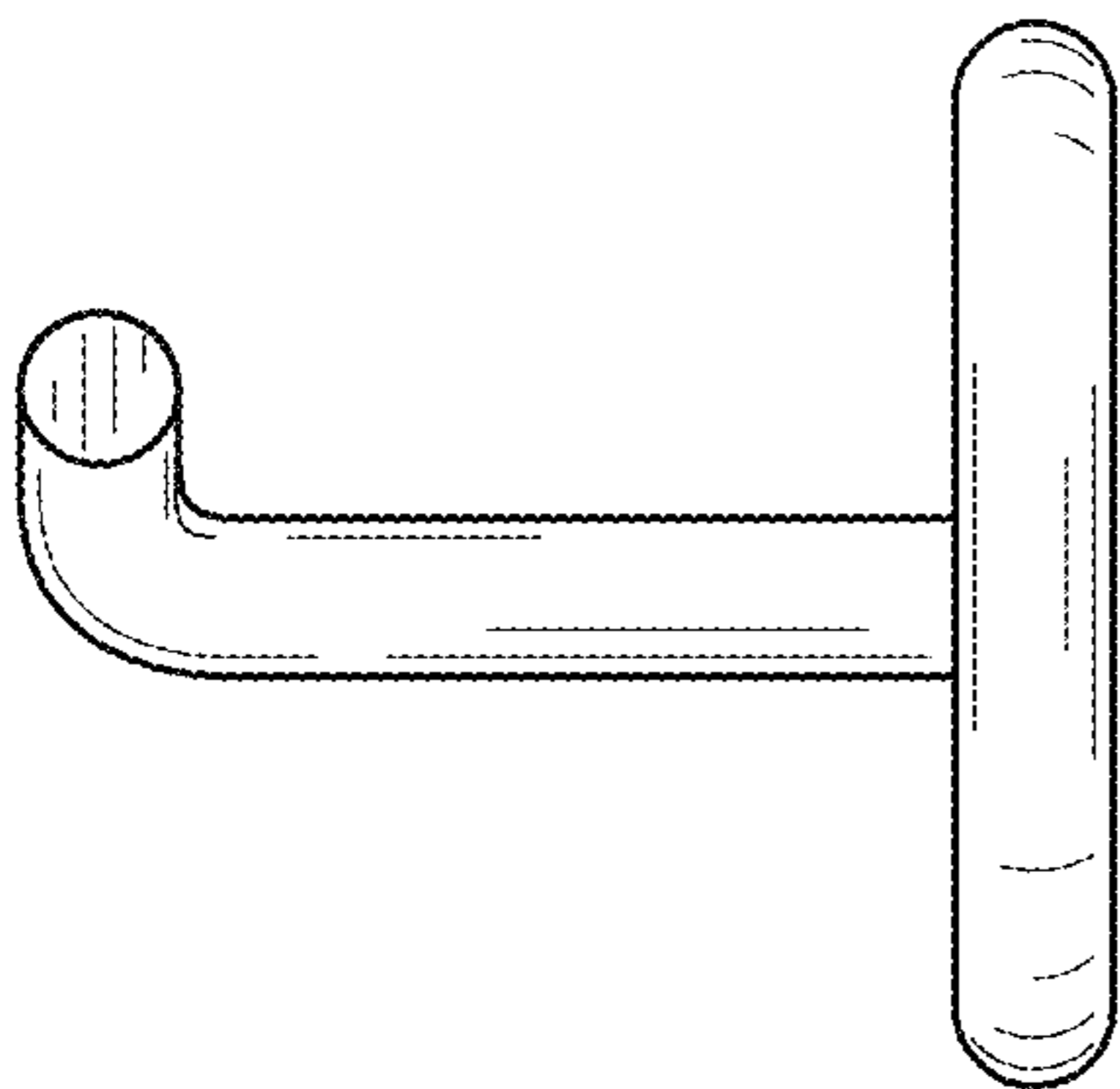


FIG. 6

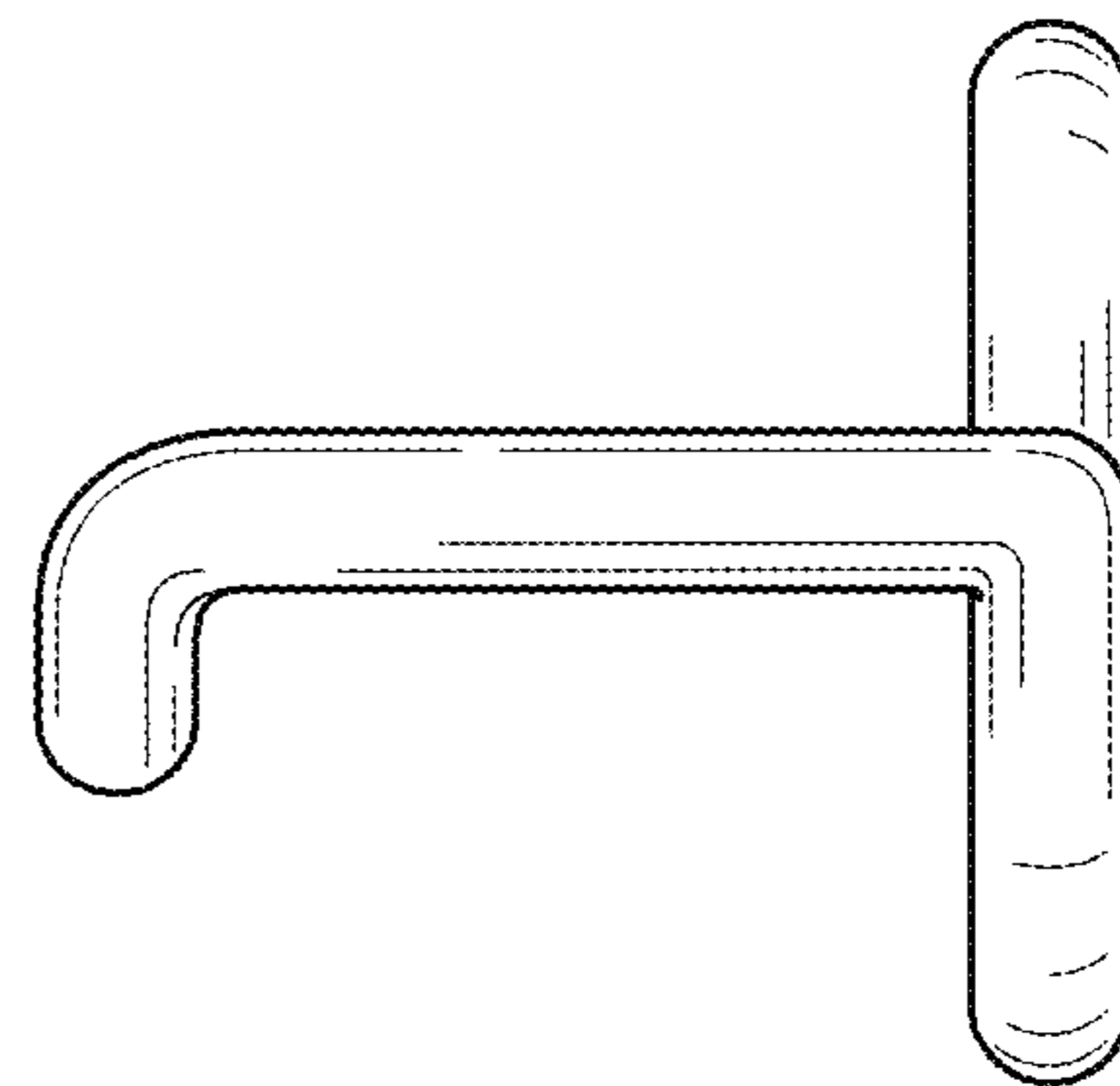


FIG. 7