



US00D703513S

(12) **United States Design Patent**  
**Mistyurik**

(10) **Patent No.:** **US D703,513 S**

(45) **Date of Patent:** **\*\* Apr. 29, 2014**

(54) **LOCKING FLANGE**

(71) Applicant: **Avery Dennison Corporation,**  
Pasadena, CA (US)

(72) Inventor: **John D. Mistyurik,** Troy, OH (US)

(73) Assignee: **Avery Dennison Corporation,**  
Glendale, CA (US)

(\*\*) Term: **14 Years**

(21) Appl. No.: **29/443,957**

(22) Filed: **Jan. 24, 2013**

(51) **LOC (10) Cl.** ..... **08-07**

(52) **U.S. Cl.**  
USPC ..... **D8/330; D8/343**

(58) **Field of Classification Search**  
USPC ..... D8/330, 331, 336, 339, 341, 343, 344,  
D8/349, 354, 383, 400; 70/51, 55, 52, 57,  
70/158, 431, 443, 444, 465, 466; 292/289,  
292/290, 292, 300, 340

See application file for complete search history.

(56) **References Cited**

**U.S. PATENT DOCUMENTS**

D273,937 S \* 5/1984 Ruff ..... D8/344  
5,956,871 A \* 9/1999 Korsen ..... 36/134

D452,810 S \* 1/2002 Anderson ..... D8/339  
D455,063 S \* 4/2002 Anderson ..... D8/339  
D461,700 S \* 8/2002 Meredith ..... D8/344  
D464,249 S \* 10/2002 Laabs et al. .... D8/343  
D573,444 S \* 7/2008 Hardt, II ..... D8/343  
8,272,591 B2 \* 9/2012 Baranov et al. .... 242/608.5  
8,322,368 B2 \* 12/2012 Zenz ..... 137/614.02  
8,567,873 B2 \* 10/2013 Rider ..... 301/64.101

\* cited by examiner

*Primary Examiner* — Prabhakar Deshmukh

(74) *Attorney, Agent, or Firm* — Avery Dennison Corporation

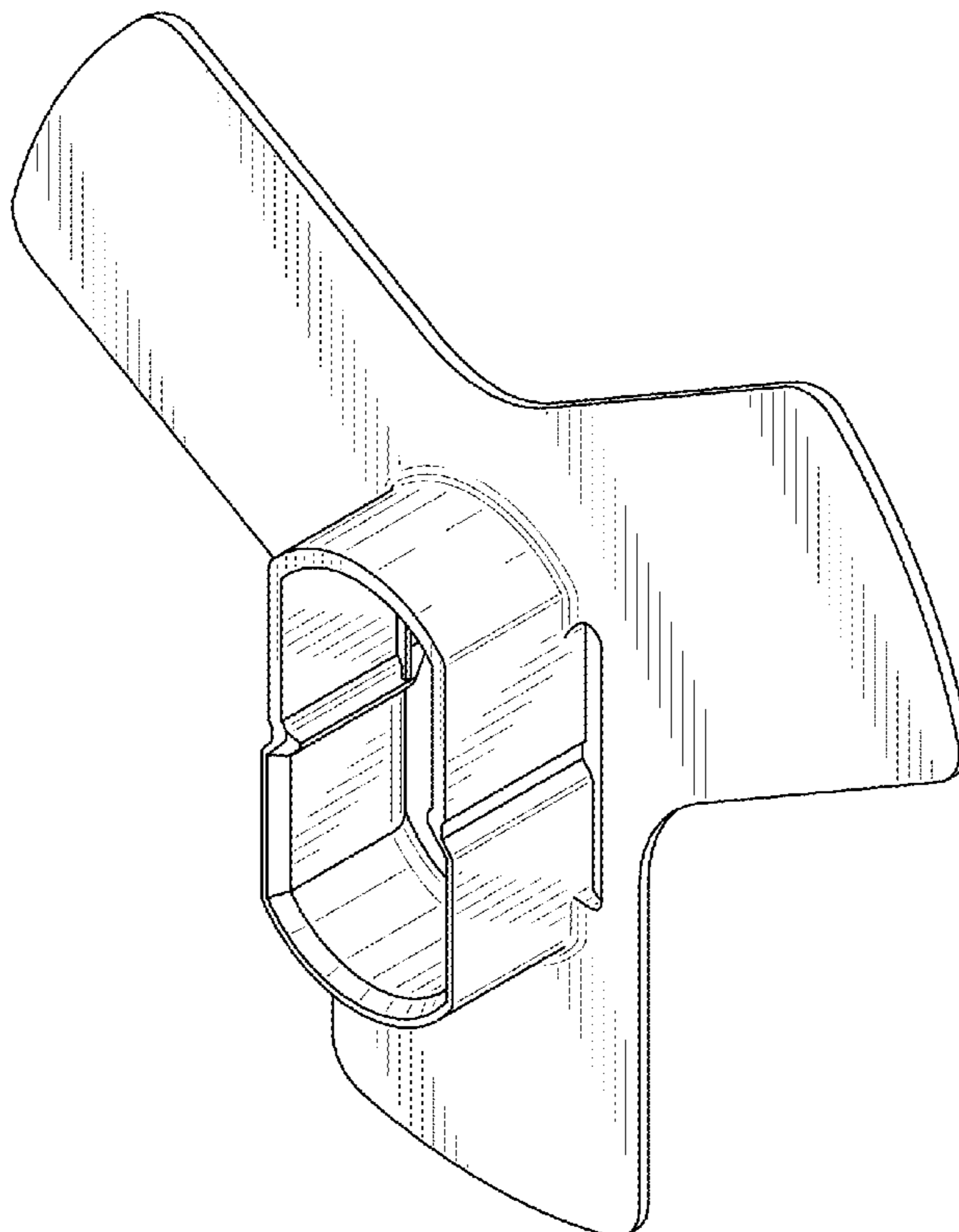
(57) **CLAIM**

The ornamental design for a locking flange, as shown and described.

**DESCRIPTION**

FIG. 1 is an isometric view of a locking flange showing my new design;  
FIG. 2 is a front view of FIG. 1;  
FIG. 3 is a rear view of FIG. 1;  
FIG. 4 is left side view of FIG. 1;  
FIG. 5 is a right side view of FIG. 1;  
FIG. 6 is a top view of FIG. 1; and,  
FIG. 7 is a bottom view of FIG. 1.

**1 Claim, 5 Drawing Sheets**



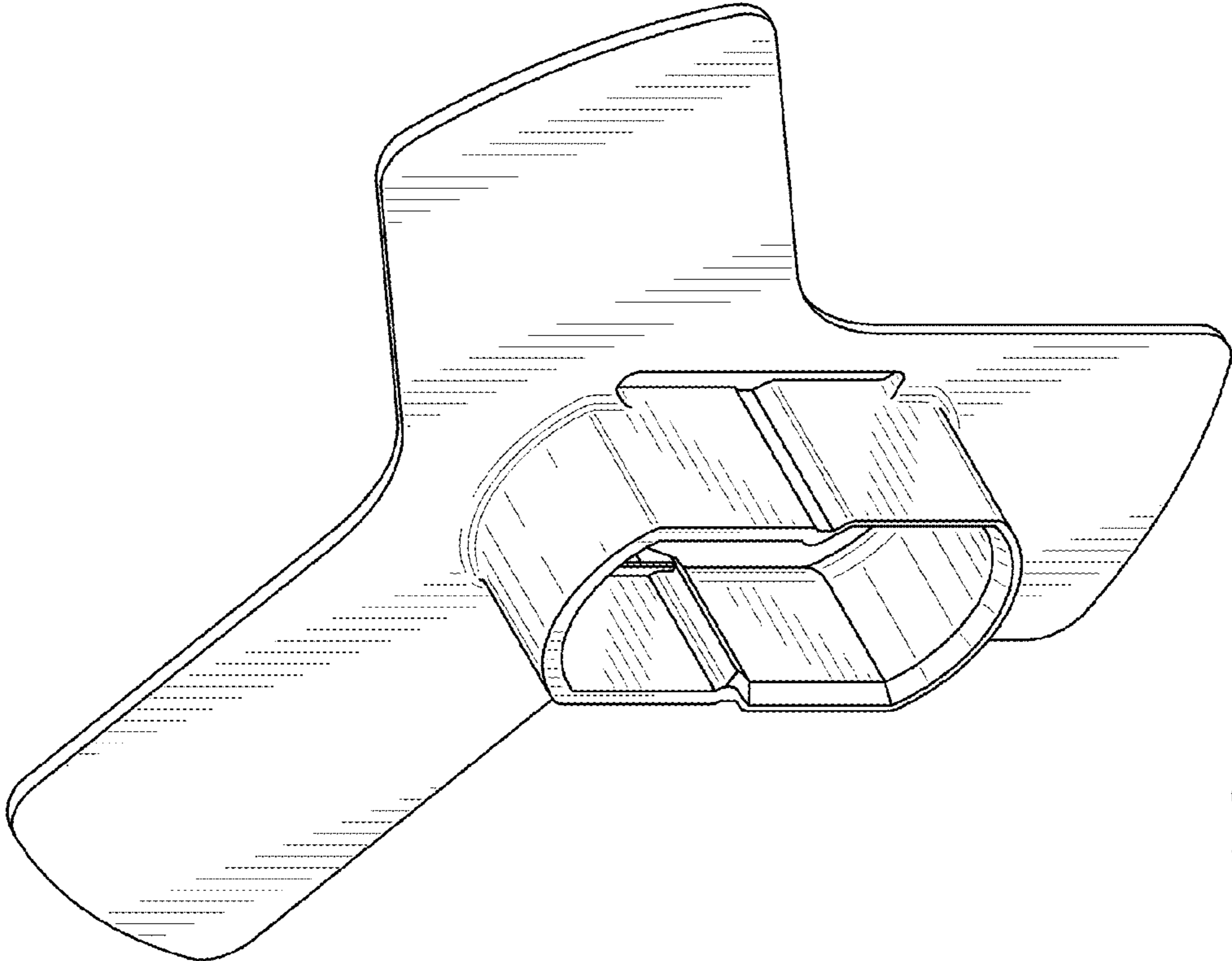


FIG. 1

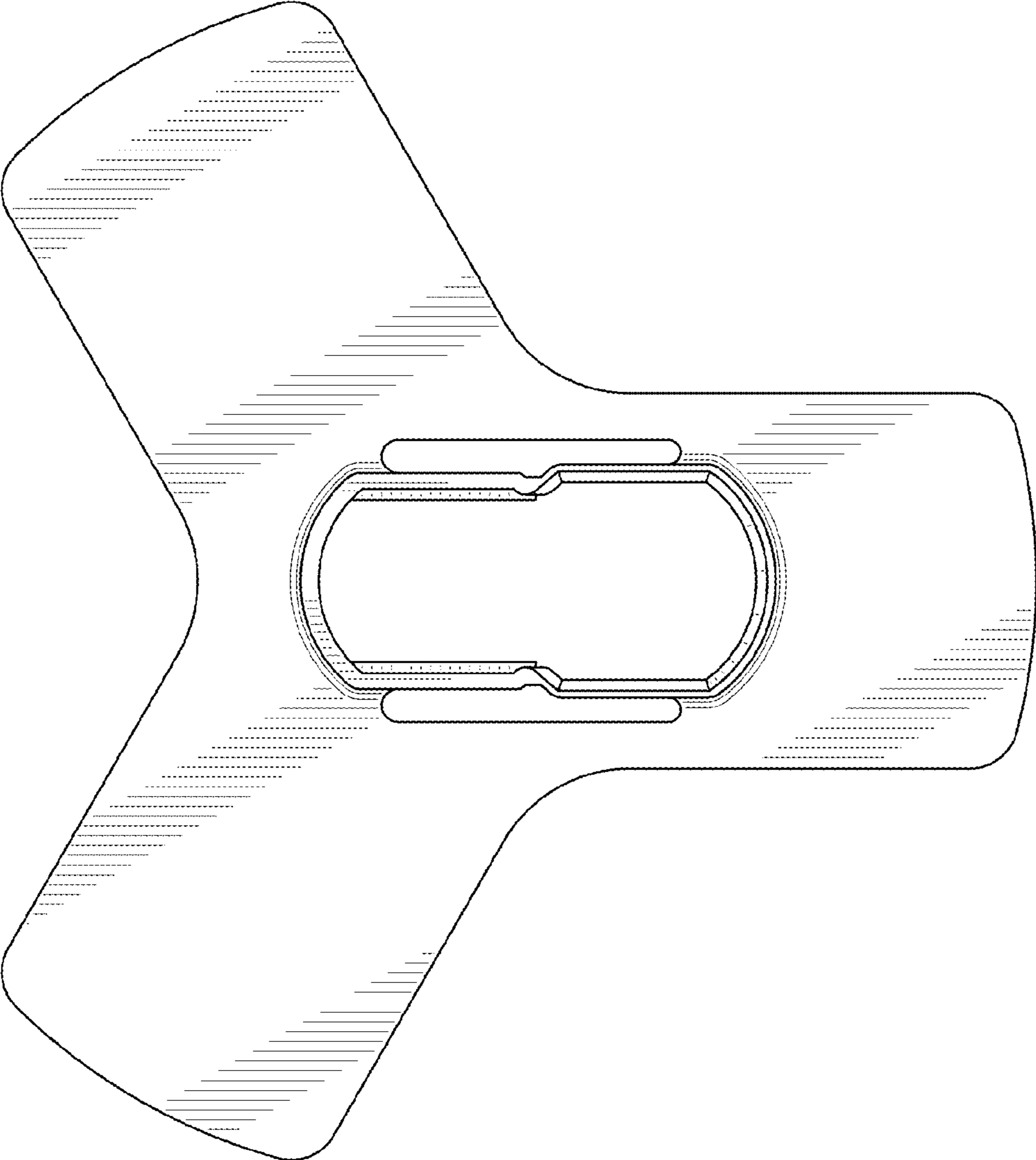


FIG. 2

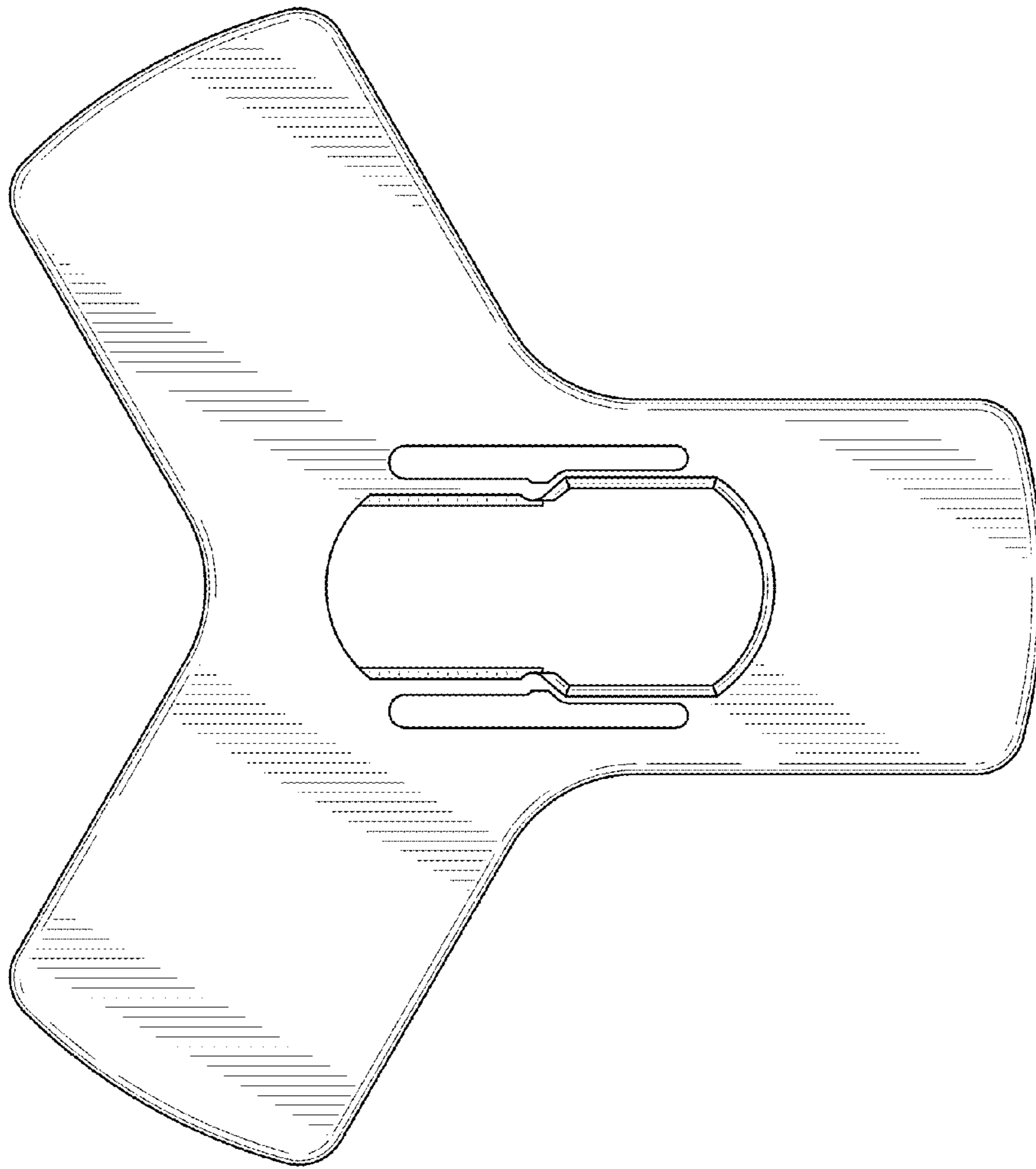


FIG. 3

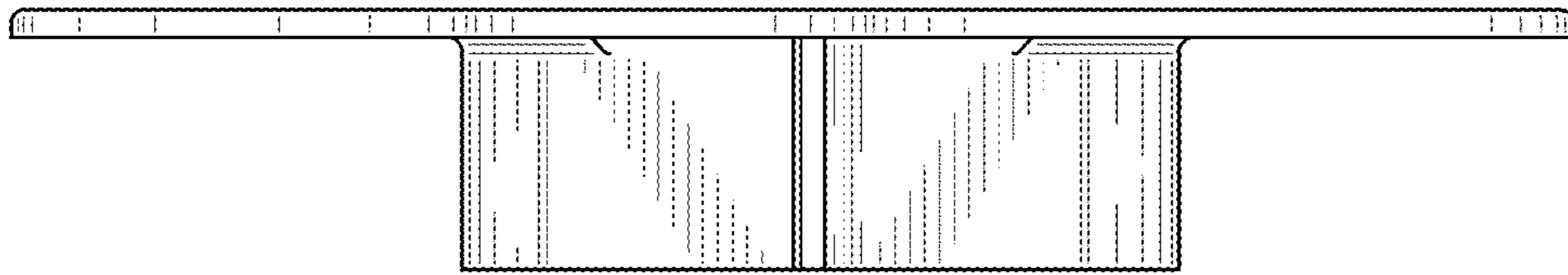


FIG. 5

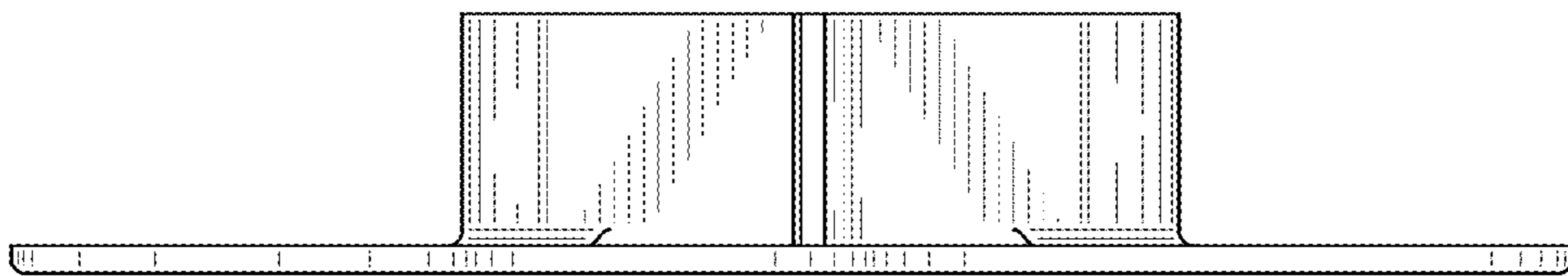


FIG. 4

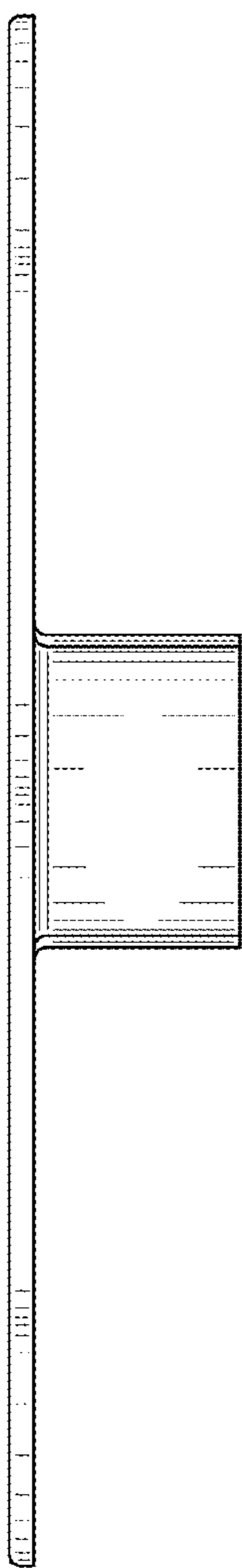


FIG. 6

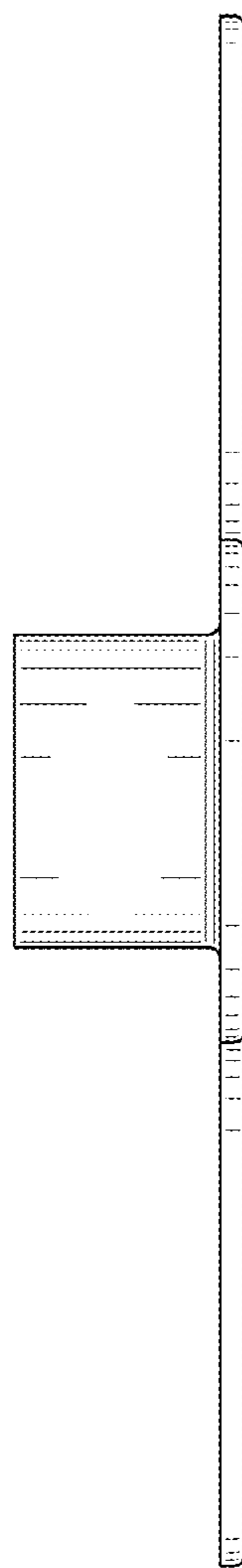


FIG. 7