



US00D703508S

(12) **United States Design Patent**
Kawase et al.

(10) **Patent No.:** **US D703,508 S**
(45) **Date of Patent:** **** Apr. 29, 2014**

(54) **PORTABLE ELECTRIC CIRCULAR SAW**

(71) Applicant: **Makita Corporation**, Anjo (JP)

(72) Inventors: **Tomonori Kawase**, Anjo (JP); **Tsutomu Naito**, Anjo (JP); **Zhiqiang Lu**, Jiangsu (CN)

(73) Assignee: **Makita Corporation**, Anjo-shi (JP)

(**) Term: **14 Years**

(21) Appl. No.: **29/454,728**

(22) Filed: **May 14, 2013**

(30) **Foreign Application Priority Data**

Jan. 28, 2013 (JP) 2013-001519

(51) **LOC (10) CL.** **08-03**

(52) **U.S. CL.**
USPC **D8/66**

(58) **Field of Classification Search**
USPC D8/69, 68, 67, 66, 64, 61, 70;
83/698.41, 747, 166.3, 374, 373, 375,
83/376, 391, 377, 390, 388, 389;
125/13.01; 144/218

See application file for complete search history.

(56) **References Cited**

U.S. PATENT DOCUMENTS

D453,099 S *	1/2002	Welsh	D8/66
D514,411 S *	2/2006	Yuen et al.	D8/66
D538,124 S *	3/2007	Yamamoto et al.	D8/66
D554,462 S *	11/2007	Zhang	D8/66
D568,705 S *	5/2008	Lopano et al.	D8/66
D631,719 S *	2/2011	Aglassinger	D8/66
D632,940 S *	2/2011	Yamamoto et al.	D8/66
D638,681 S *	5/2011	Yamada et al.	D8/66

D654,340 S *	2/2012	Kawase et al.	D8/66
D660,121 S *	5/2012	Valk	D8/66
2013/0097878 A1 *	4/2013	Naito et al.	30/374

FOREIGN PATENT DOCUMENTS

JP 1269076 S 4/2006

* cited by examiner

Primary Examiner — Austin Murphy

(74) *Attorney, Agent, or Firm* — Global IP Counselors, LLP

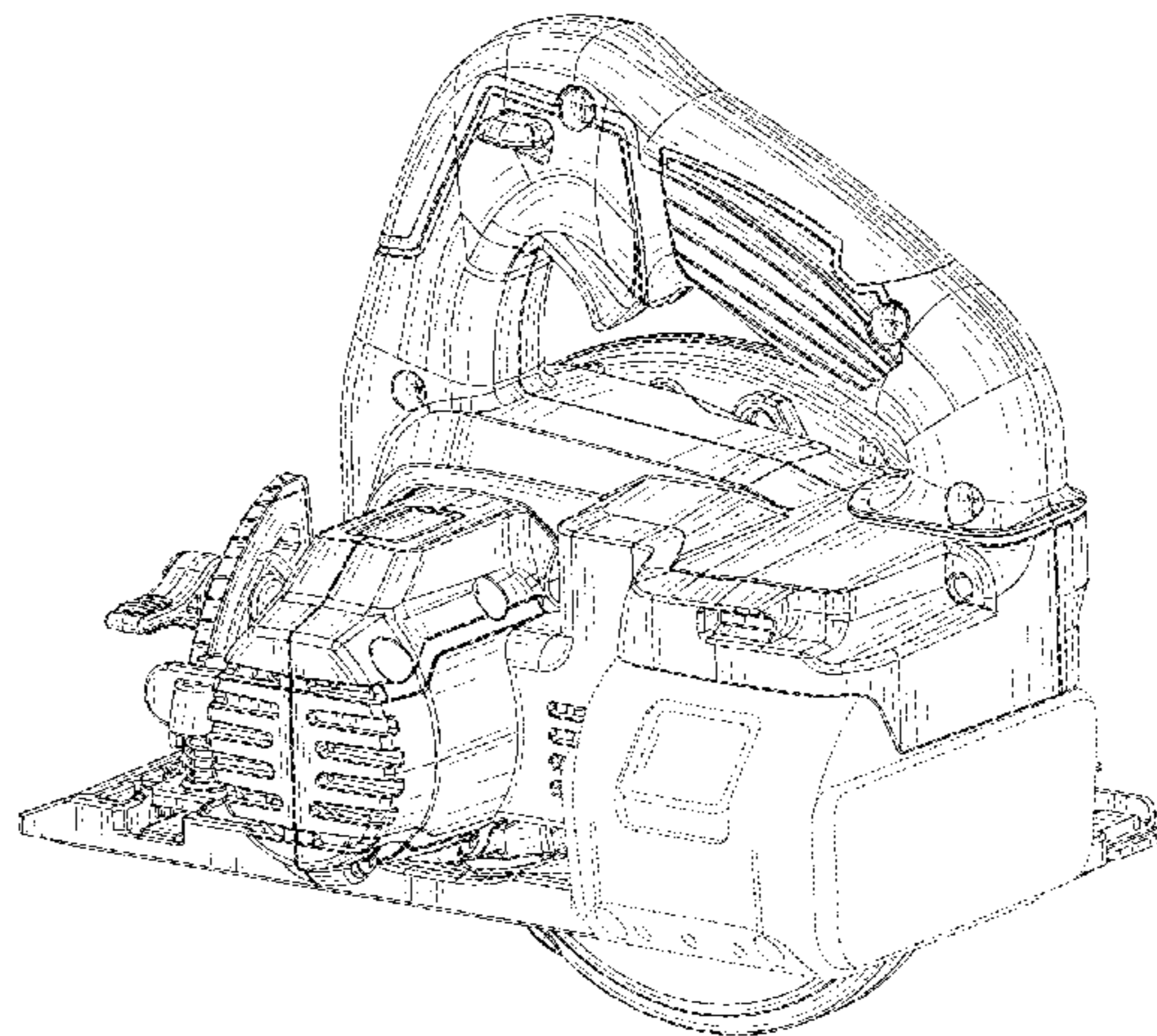
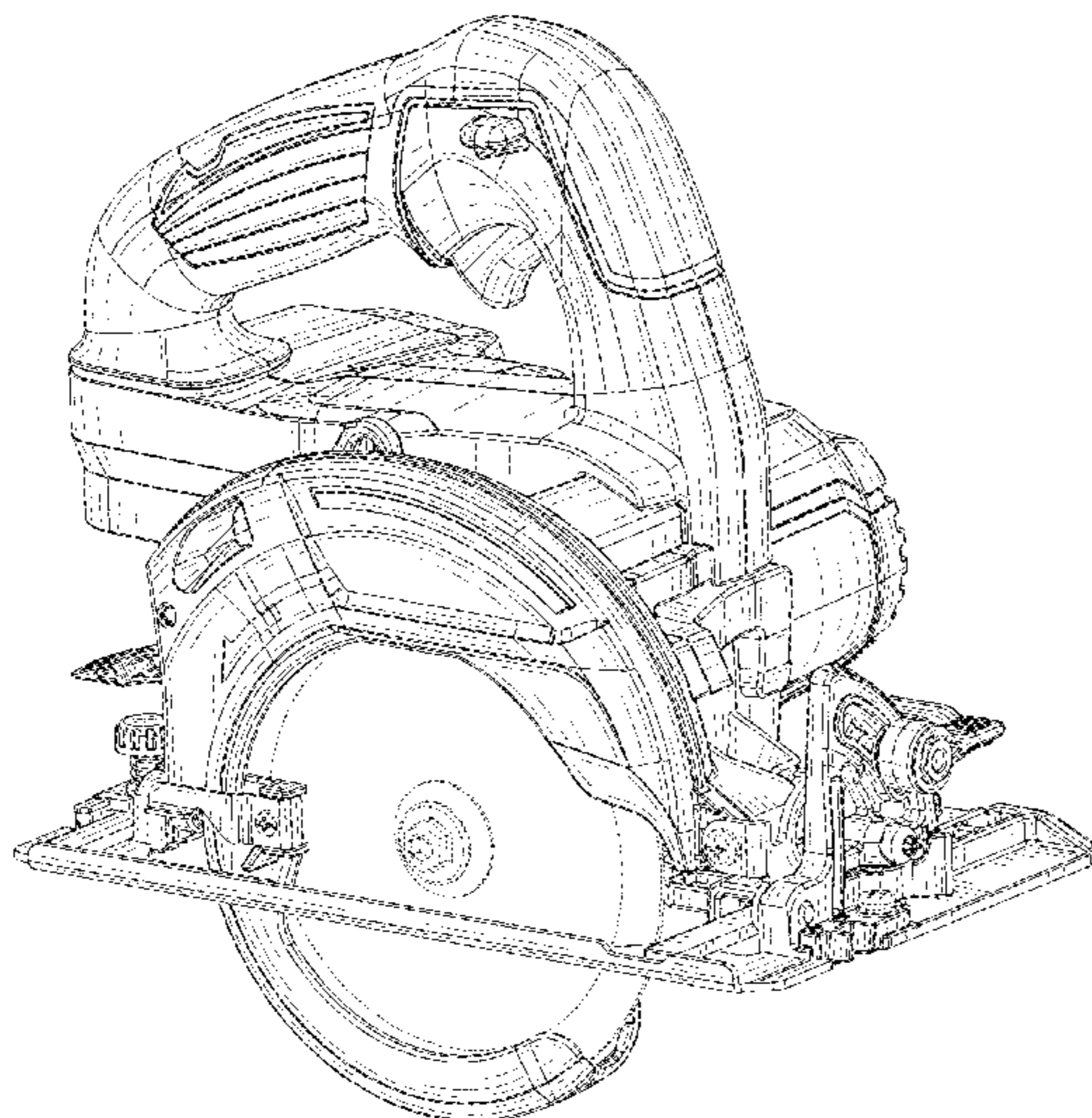
(57) **CLAIM**

The ornamental design for a portable electric circular saw, as shown and described.

DESCRIPTION

FIG. 1 is a front perspective view of a portable electric circular saw in accordance with our new design;
 FIG. 2 is a rear perspective view of the portable electric circular saw in accordance with our new design;
 FIG. 3 is a front elevational view of the portable electric circular saw in accordance with our new design;
 FIG. 4 is a rear elevational view of the portable electric circular saw in accordance with our new design;
 FIG. 5 is a top plan view of the portable electric circular saw in accordance with our new design;
 FIG. 6 is a bottom plan view of the portable electric circular saw in accordance with our new design;
 FIG. 7 is a right side elevational view of the portable electric circular saw in accordance with our new design;
 FIG. 8 is a left side elevational view of the portable electric circular saw in accordance with our new design; and,
 FIG. 9 is a rear perspective view, similar to FIG. 2 of the portable electric circular saw in accordance with our new design illustrating a state in which a rechargeable battery is attached to the portable electric circular saw.
 The broken line showing of environment forms no part of the claimed design.

1 Claim, 9 Drawing Sheets



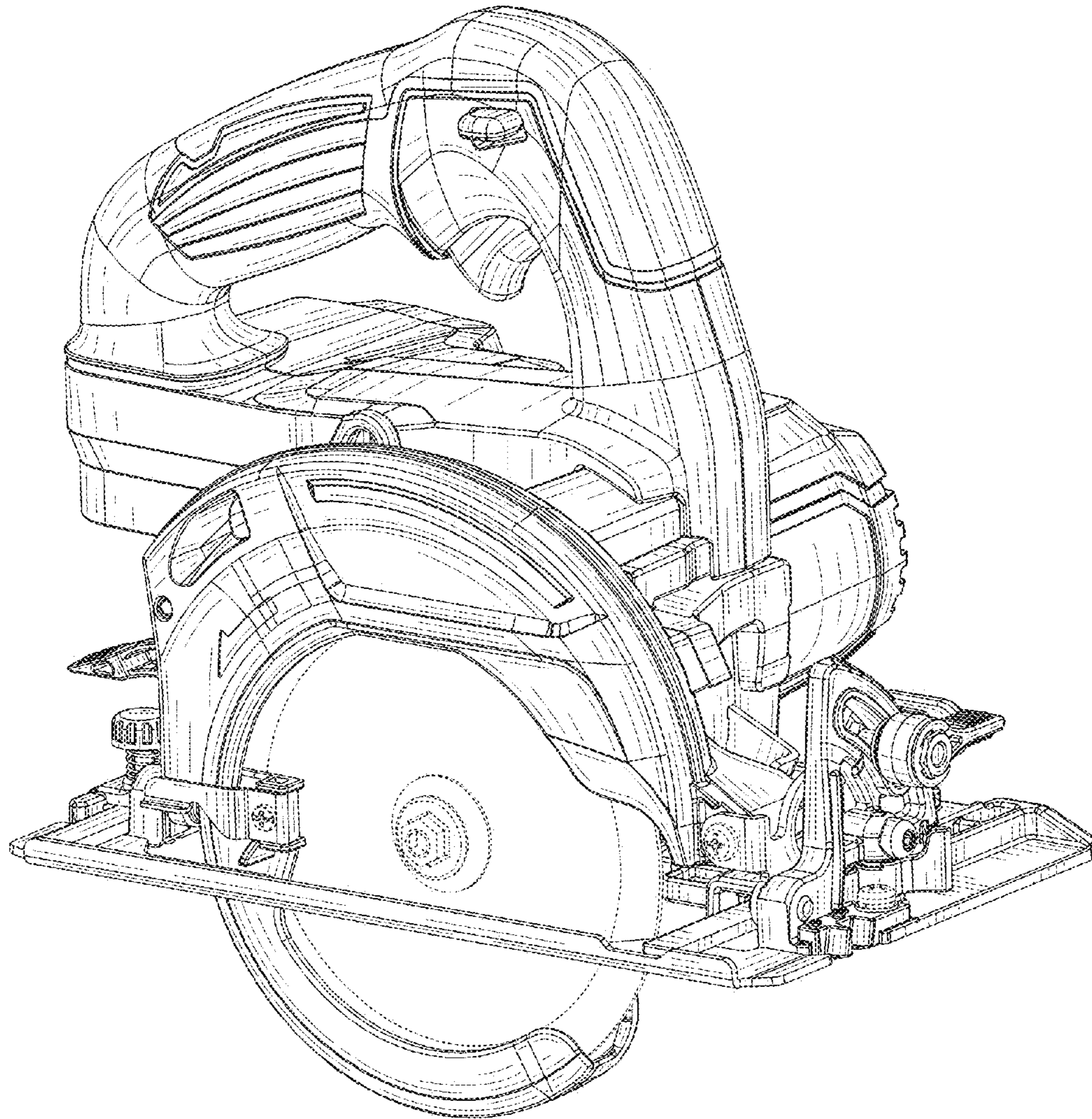


FIG. 1

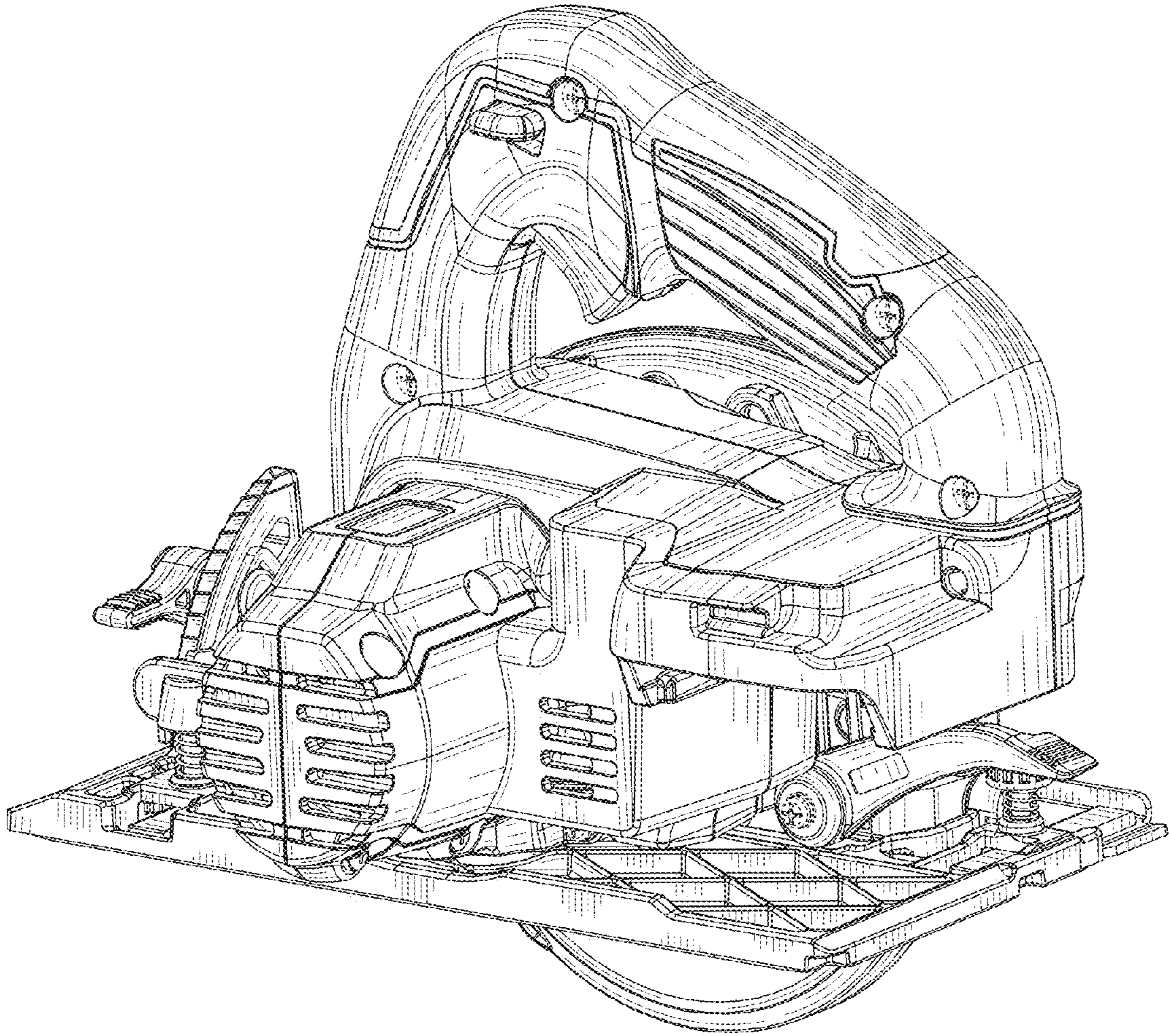


FIG. 2

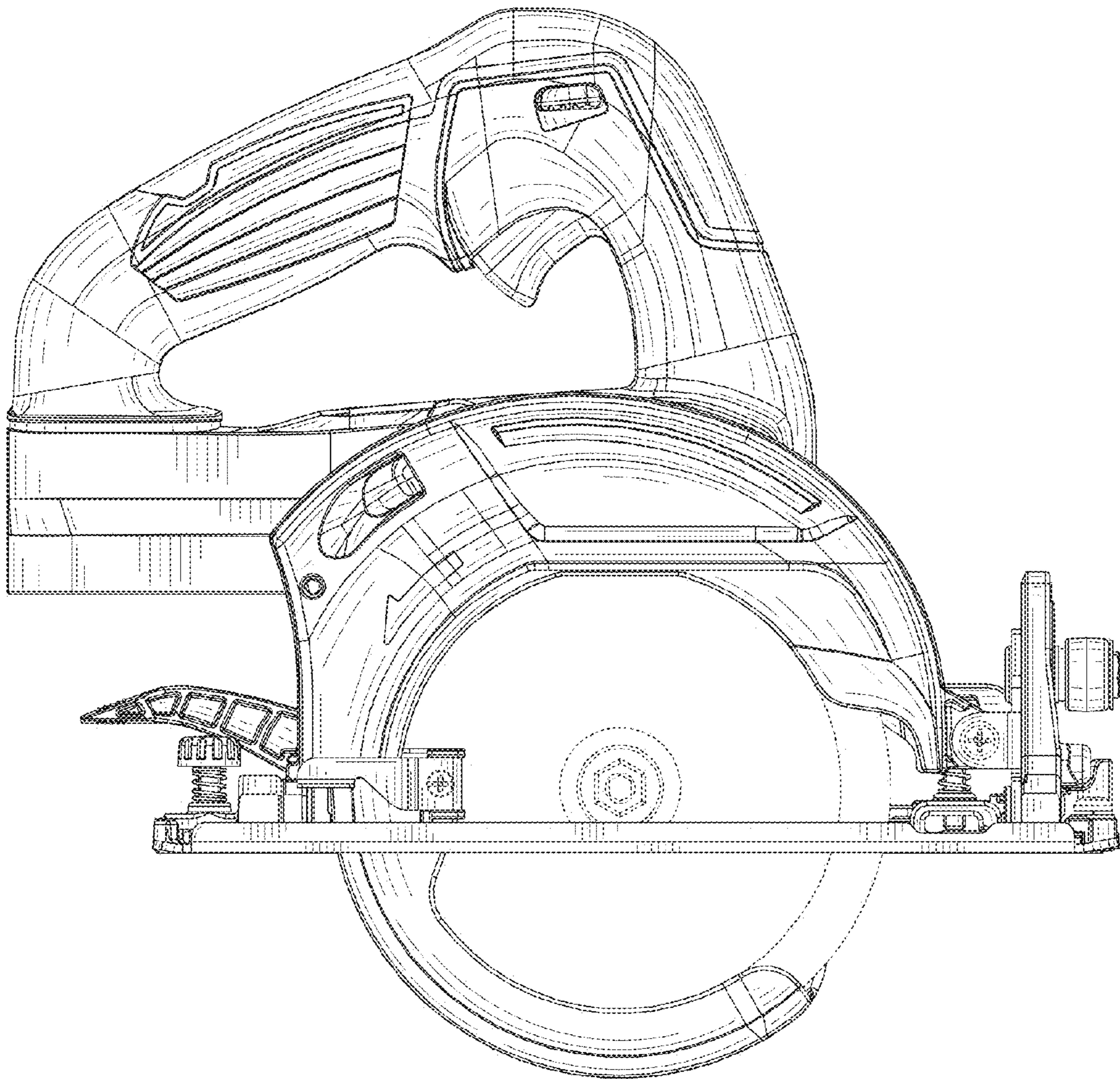


FIG. 3

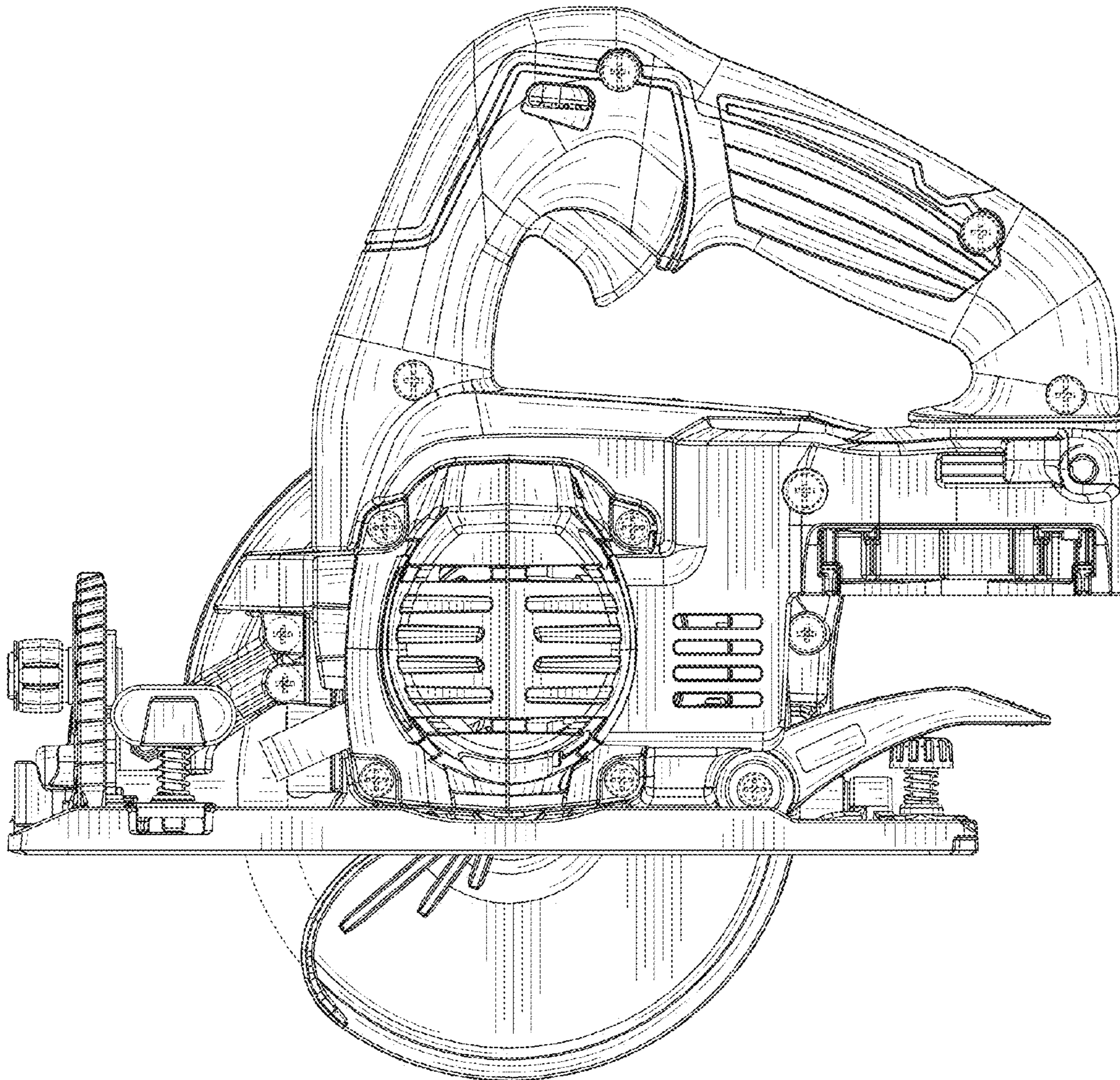


FIG. 4

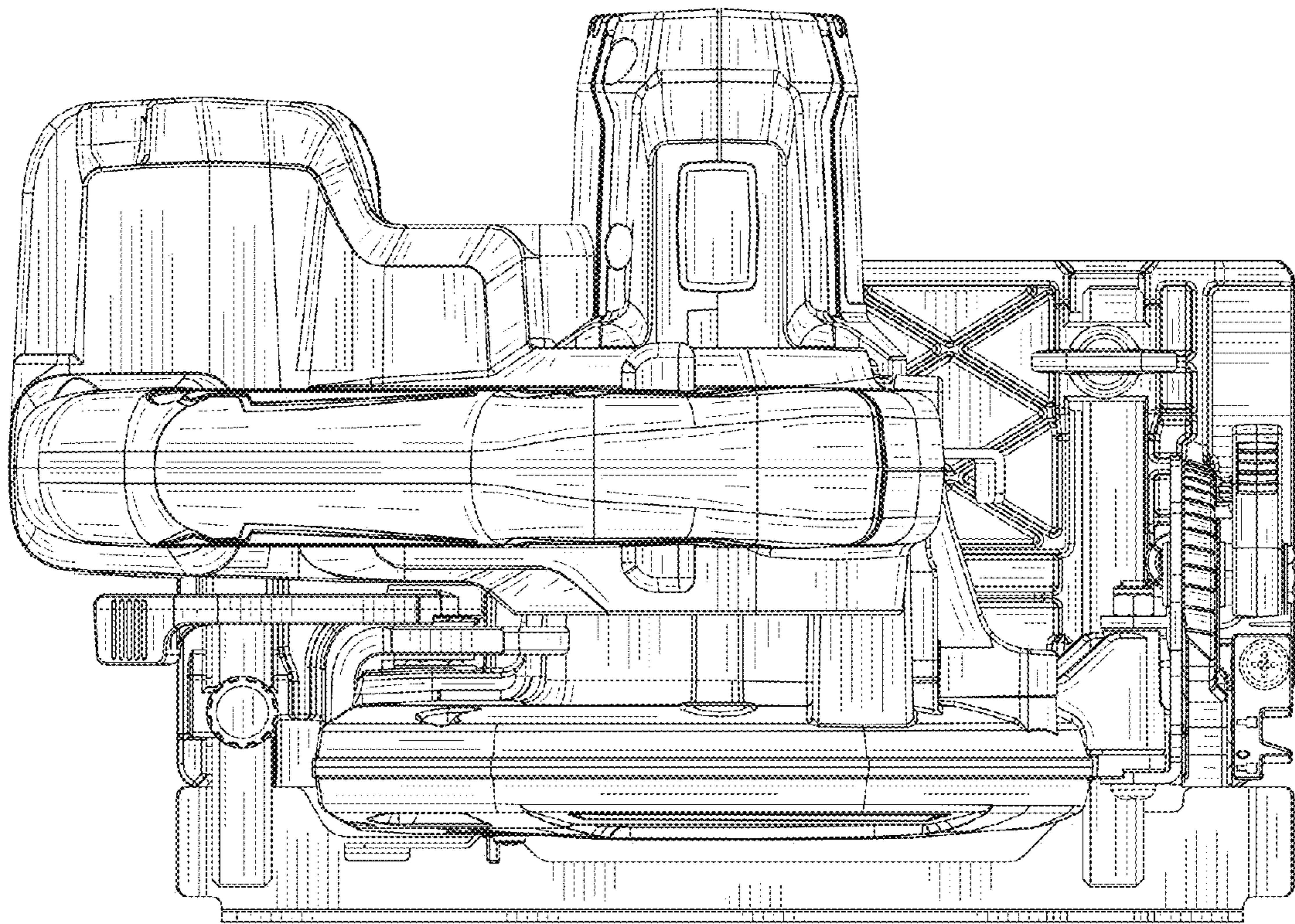


FIG. 5

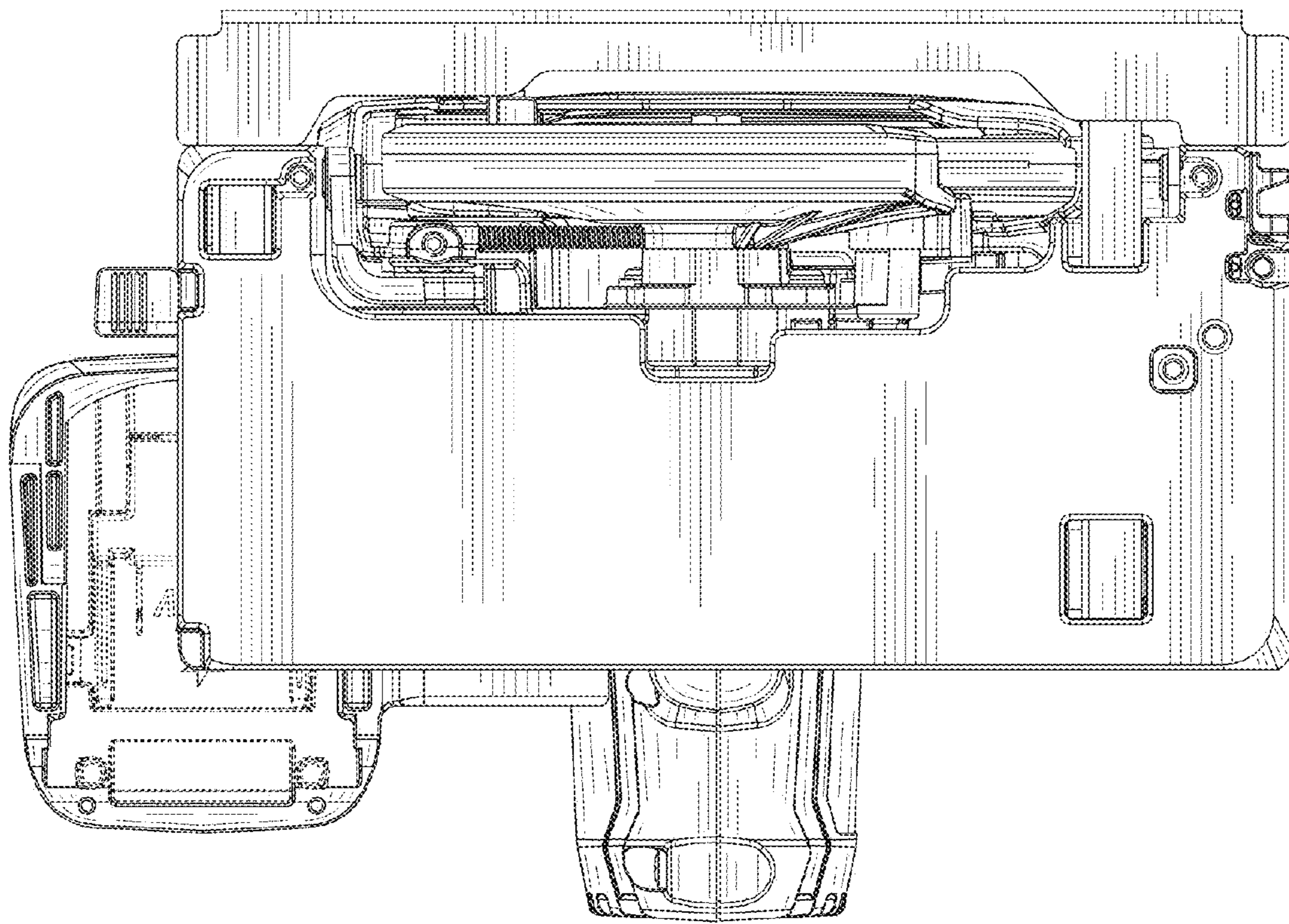


FIG. 6

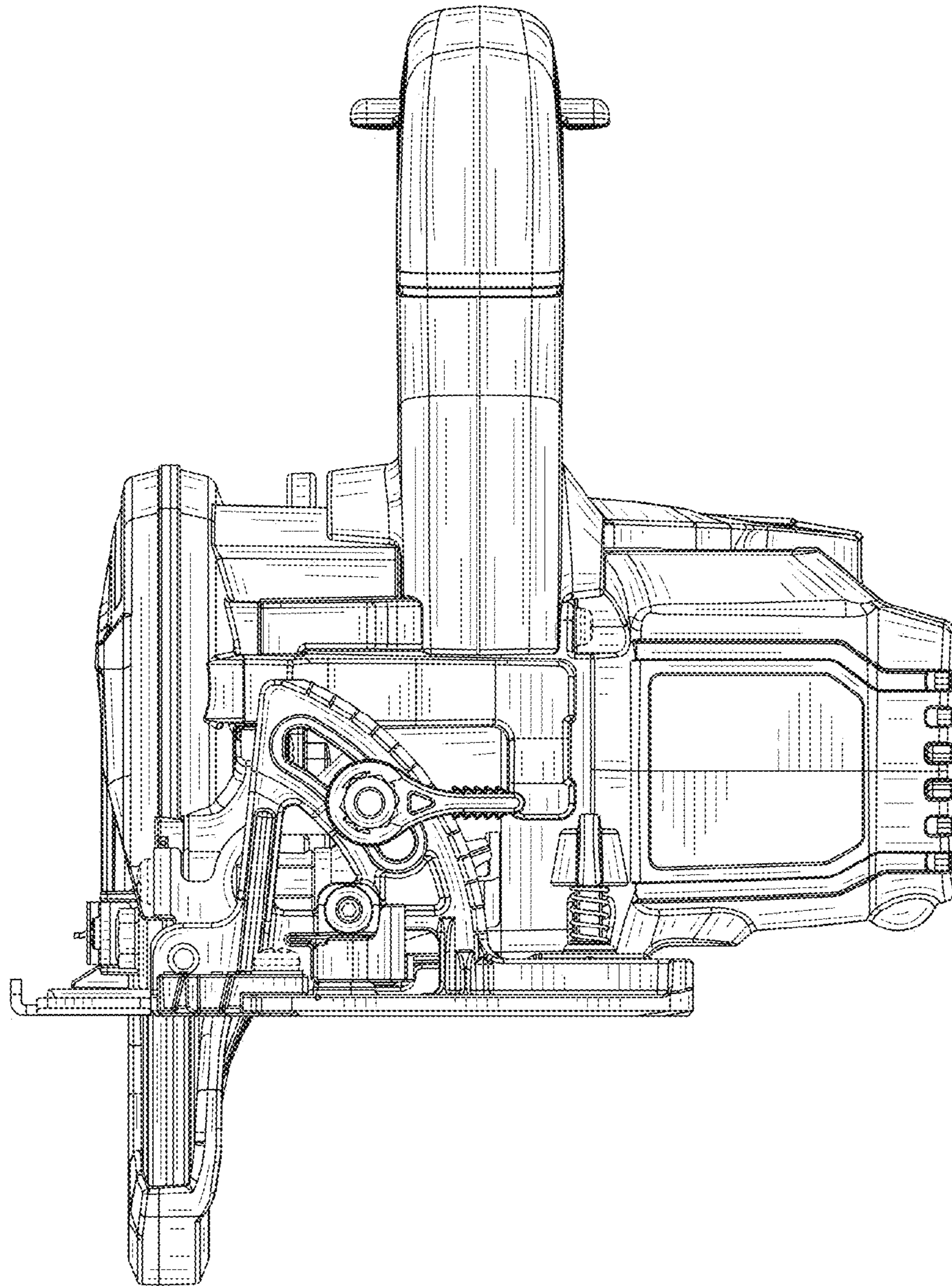


FIG. 7

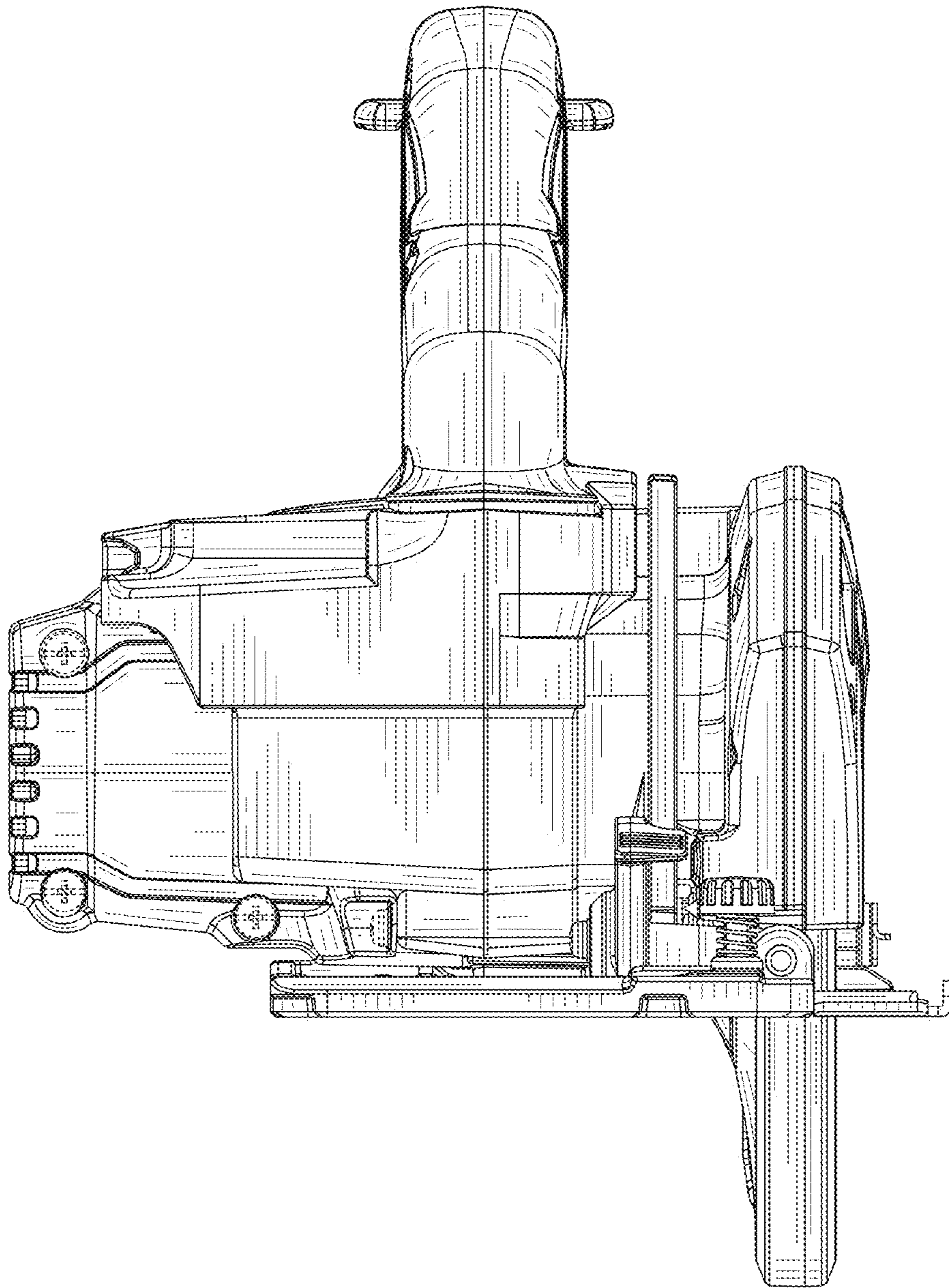


FIG. 8

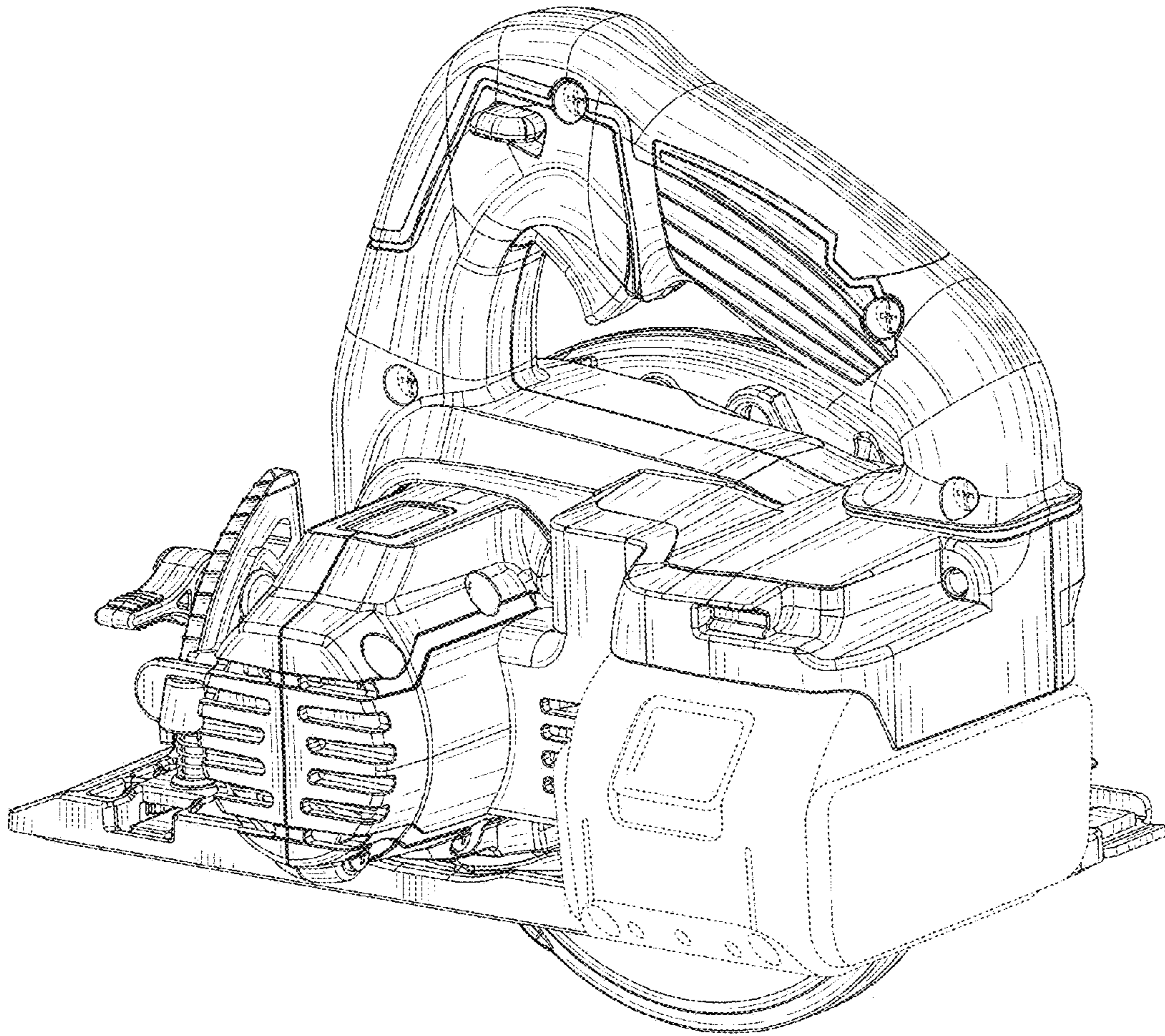


FIG. 9