



US00D703504S

(12) **United States Design Patent**  
**Grolman**

(10) **Patent No.:** **US D703,504 S**  
(45) **Date of Patent:** **\*\* Apr. 29, 2014**

(54) **WRENCH HEAD**

(71) Applicant: **Benjamin Grolman**, Alno (SE)

(72) Inventor: **Benjamin Grolman**, Alno (SE)

(\*\*) Term: **14 Years**

(21) Appl. No.: **29/435,721**

(22) Filed: **Oct. 26, 2012**

(51) **LOC (10) Cl.** ..... **08-05**

(52) **U.S. Cl.**  
USPC ..... **D8/22**

(58) **Field of Classification Search**  
USPC ..... D8/21, 22; 81/119, 179, 186, 165, 490,  
81/170, 166, 167, 145, 146, 147, 129, 155,  
81/133, 177.2, 52, 56, 57.15, 57.21,  
81/DIG. 3; 16/110.1

See application file for complete search history.

(56) **References Cited**

**U.S. PATENT DOCUMENTS**

4,718,315	A	1/1988	Nitschmann	
5,131,312	A	7/1992	Macor	
5,239,899	A	8/1993	Baker	
6,370,989	B1	4/2002	Baker	
D463,233	S *	9/2002	Salazar et al.	D8/22
6,530,297	B2 *	3/2003	McCann	81/99
6,848,343	B2 *	2/2005	Wu	81/170
7,010,999	B1 *	3/2006	Wu	81/170
7,174,813	B2 *	2/2007	Davidson	81/155
D547,149	S *	7/2007	Wu et al.	D8/22
D597,806	S *	8/2009	Davidson	D8/22
8,408,101	B2 *	4/2013	Liu	81/179

2004/0016323	A1	1/2004	Wright et al.
2004/0163504	A1	8/2004	Chen
2008/0060484	A1	3/2008	Juieng
2008/0251171	A1	10/2008	Alfano

**FOREIGN PATENT DOCUMENTS**

AU 672035 B2 4/1994

**OTHER PUBLICATIONS**

International Search Report dated Mar. 18, 2010 for PCT/SE2009/000485, pp. 1-5.

\* cited by examiner

*Primary Examiner* — Randall Gholson

(74) *Attorney, Agent, or Firm* — Jason M. Pass; Johnson, Marcou & Isaacs, LLC

(57) **CLAIM**

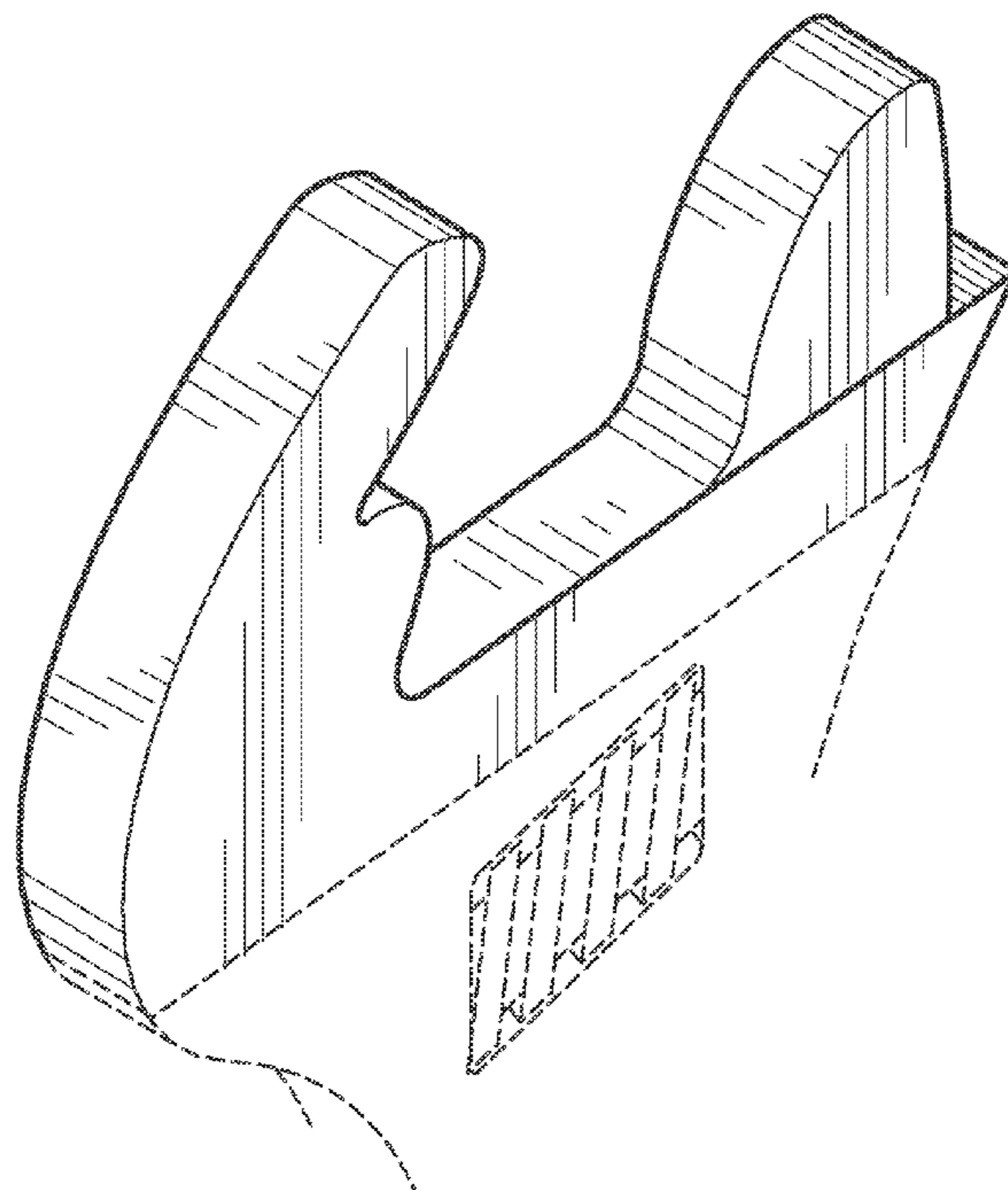
I claim the ornamental design for a wrench head, as shown.

**DESCRIPTION**

FIG. 1 is a front perspective view of a wrench head, showing my new design;  
FIG. 2 is a front elevation view thereof;  
FIG. 3 is a left perspective view thereof;  
FIG. 4 is a top perspective view thereof;  
FIG. 5 is an inverted, left side perspective view thereof;  
FIG. 6 is a right side elevation view thereof; and,  
FIG. 7 shows a front perspective view of the wrench head of FIG. 1.

The dashed lines in the drawings show unclaimed subject matter only and form no part of the claimed design.

**1 Claim, 7 Drawing Sheets**



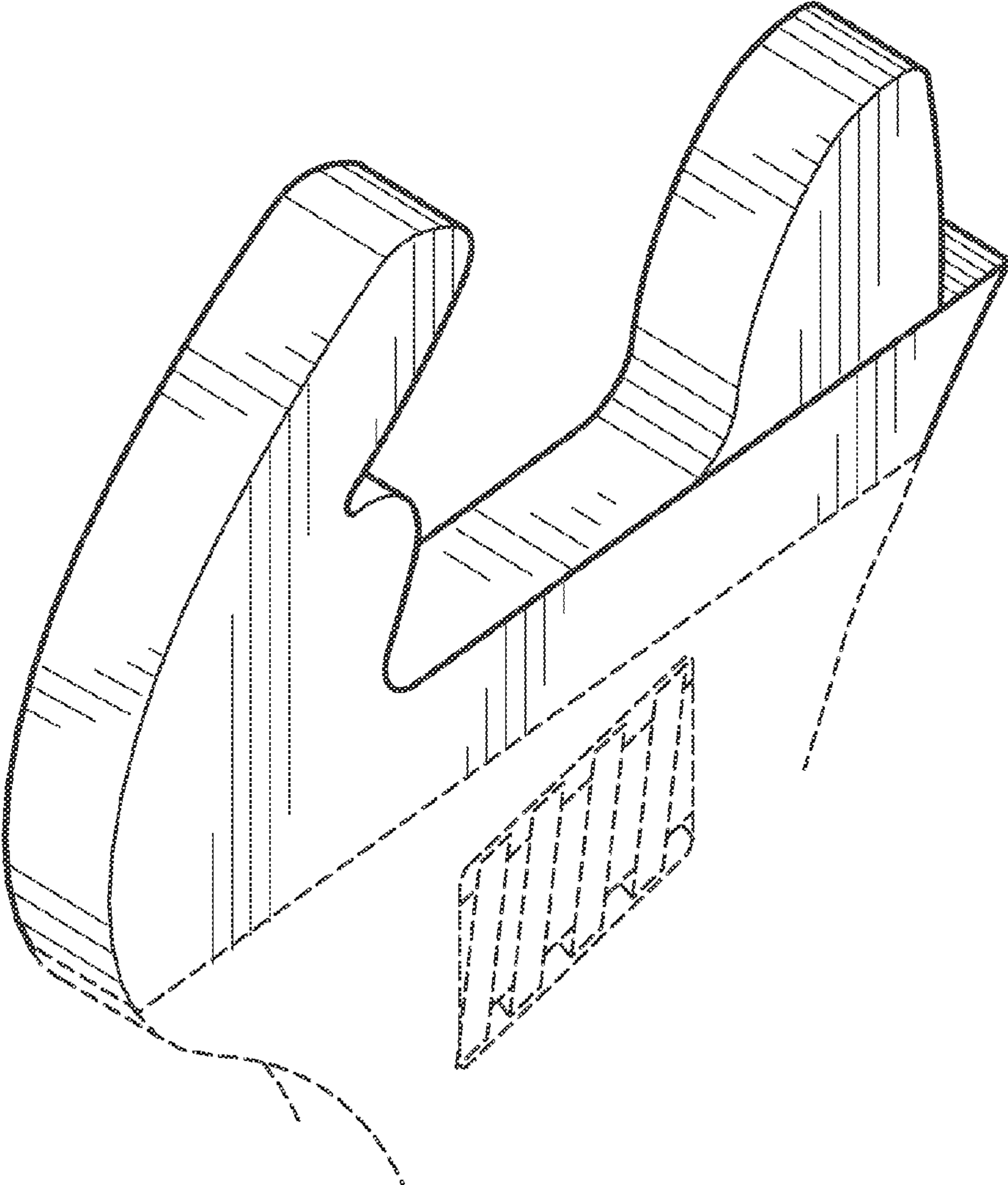


Fig. 1

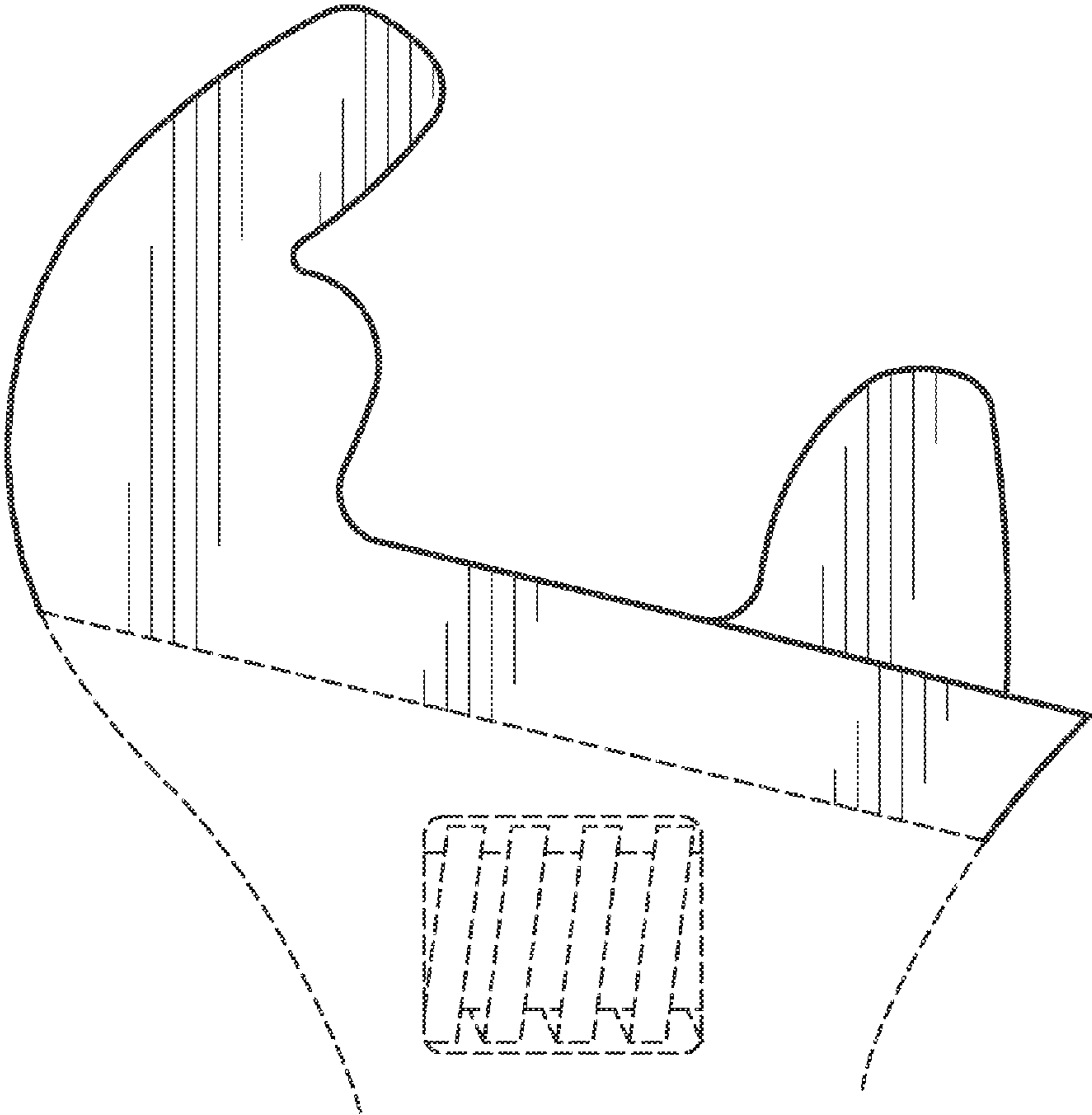


Fig. 2

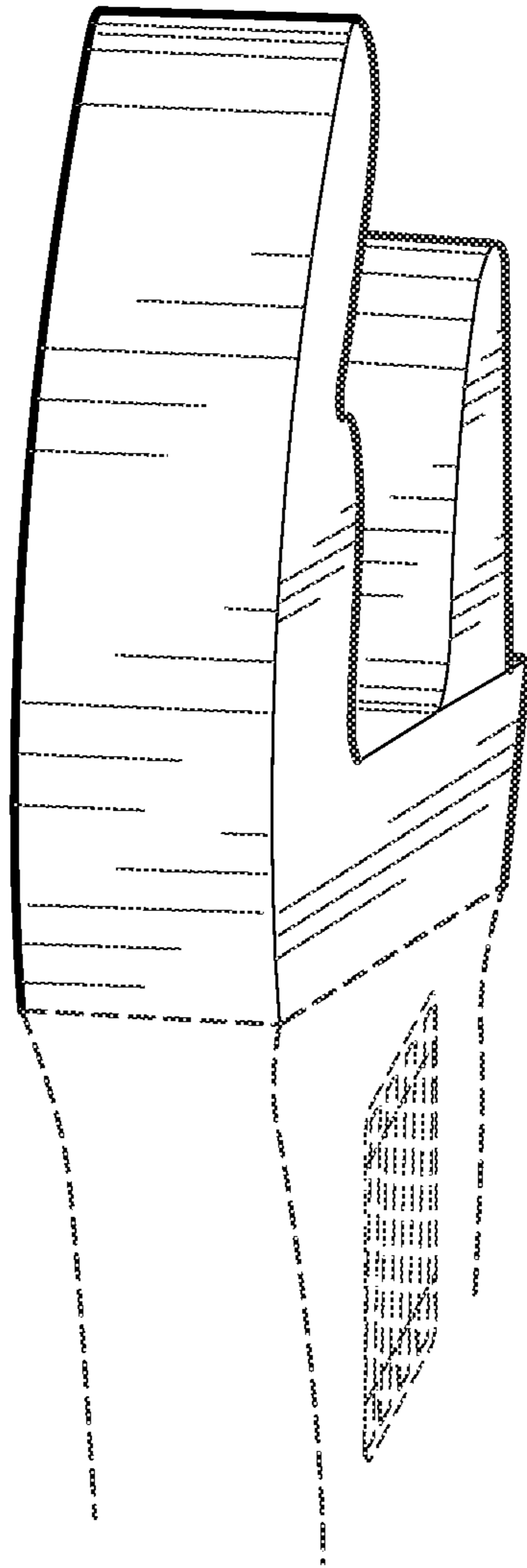


Fig. 3

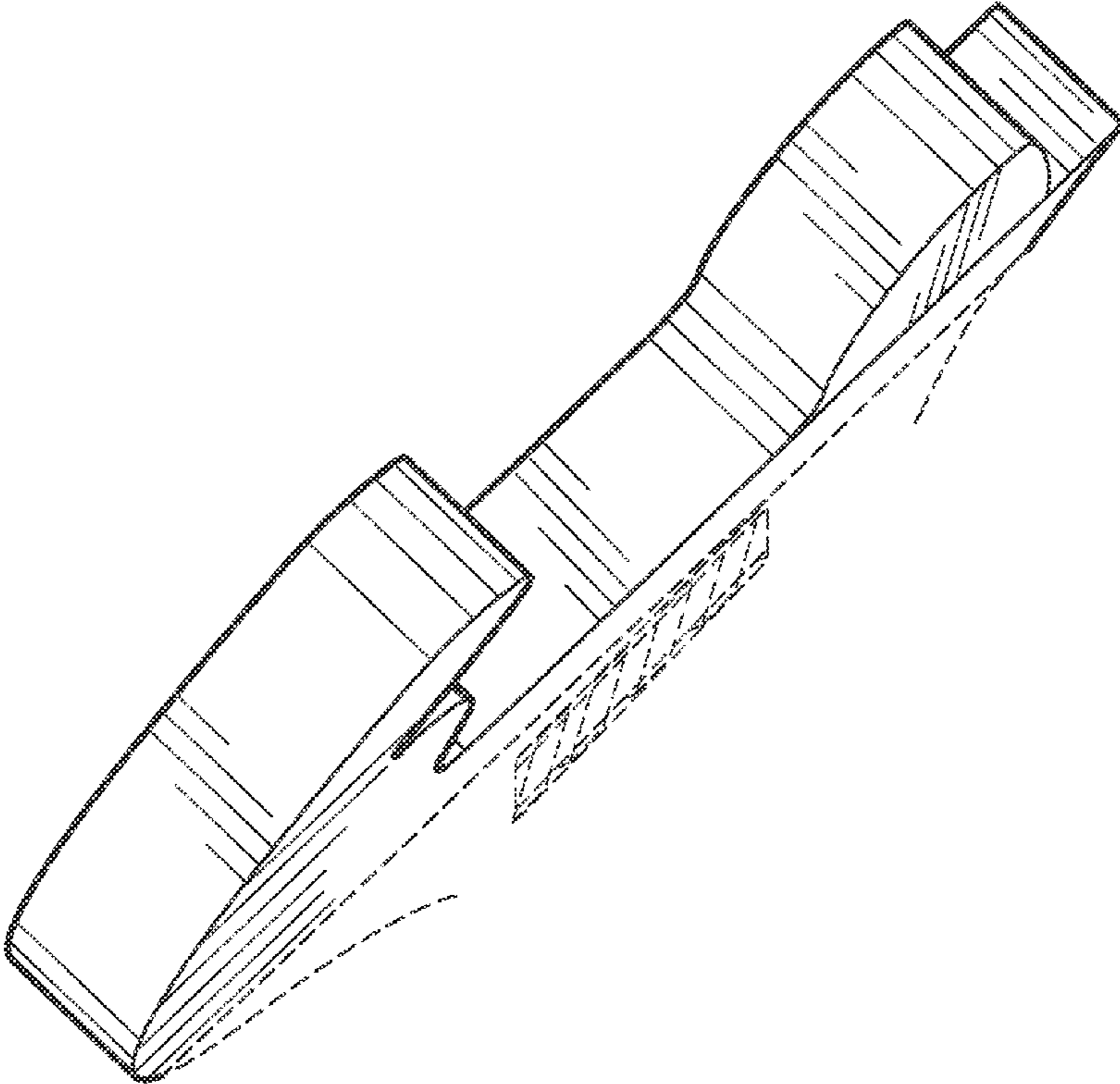


Fig. 4

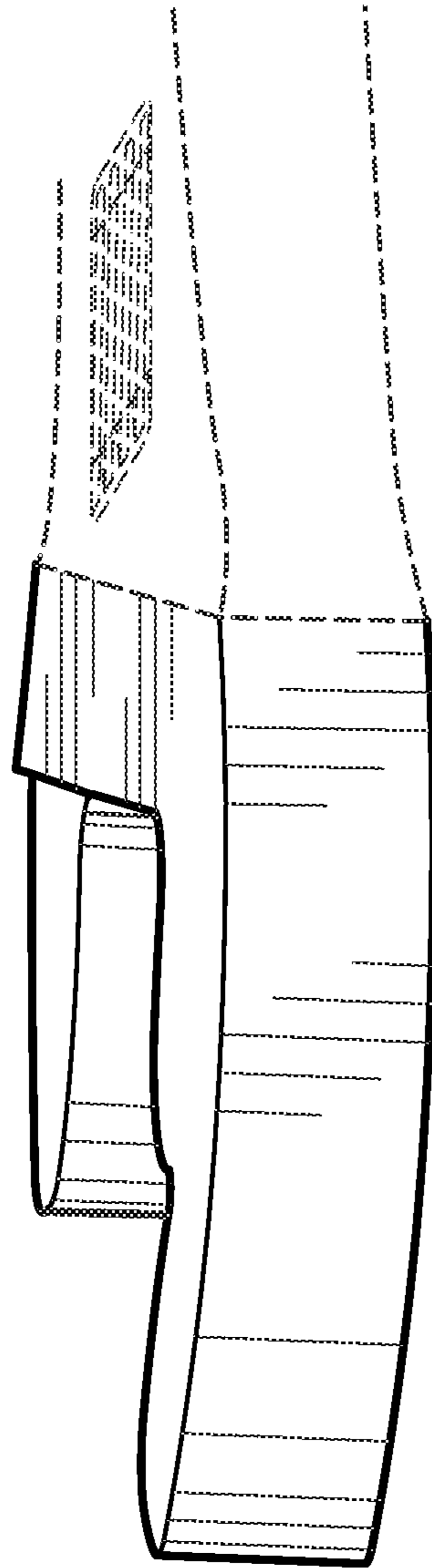


Fig. 5

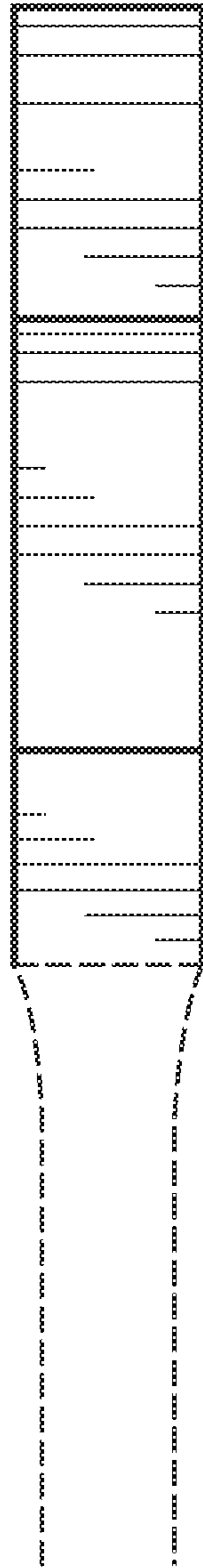


Fig. 6



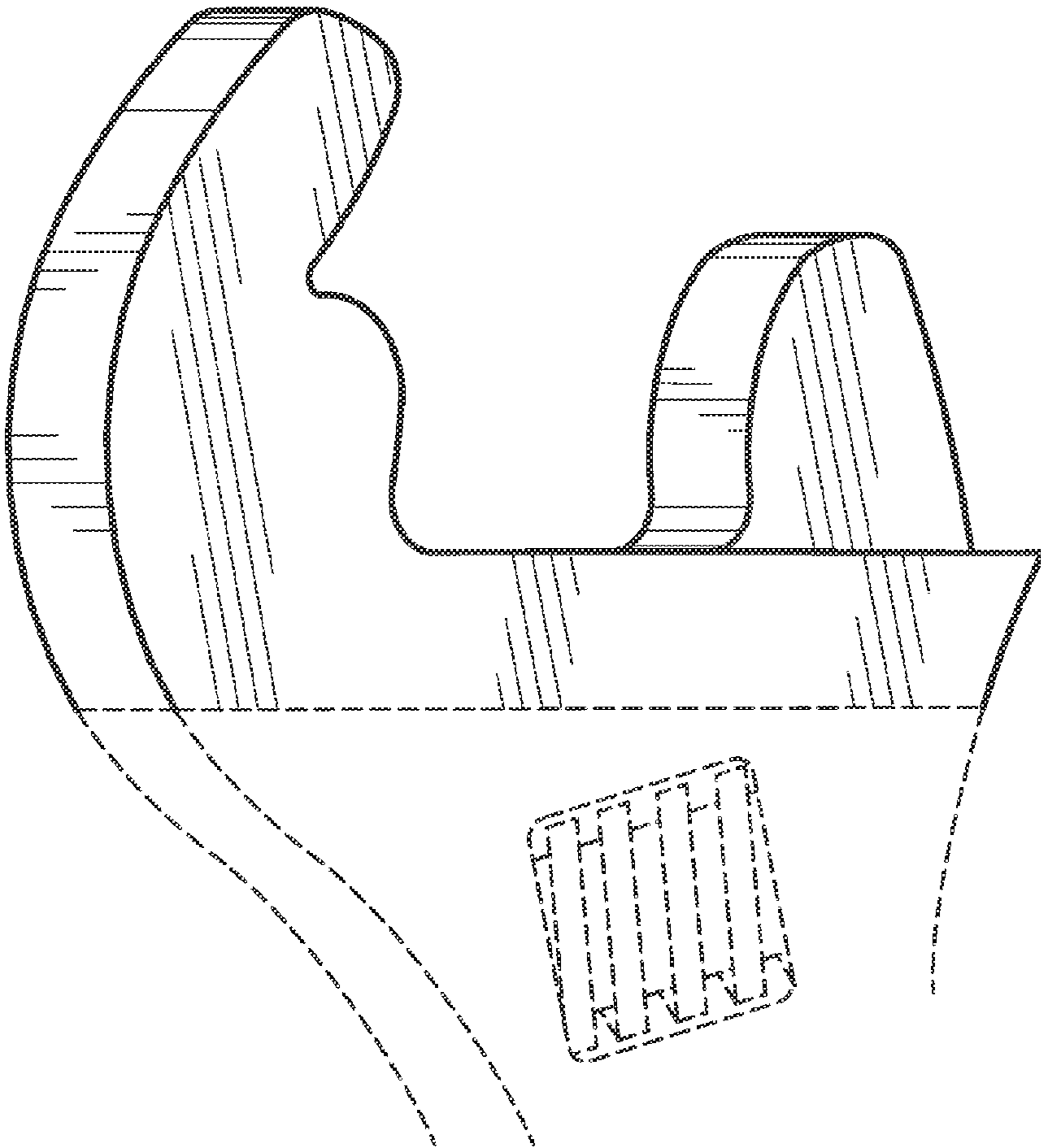


Fig. 7