



US00D703501S

(12) **United States Design Patent**
Junyong et al.

(10) **Patent No.:** **US D703,501 S**

(45) **Date of Patent:** **** Apr. 29, 2014**

(54) **MULTI-FUNCTION WRENCH FOR A POWER TOOL**

(71) Applicants: **Robert Bosch Tool Corporation**,
Broadview, IL (US); **Robert Bosch GmbH**, Stuttgart (DE)

(72) Inventors: **Yang Junyong**, HangZhou (CN);
Richard Monteverde, Chicago, IL (US)

(73) Assignee: **Robert Bosch GmbH**, Stuttgart (DE)

(**) Term: **14 Years**

(21) Appl. No.: **29/451,010**

(22) Filed: **Mar. 27, 2013**

Related U.S. Application Data

(62) Division of application No. 29/418,812, filed on Apr. 20, 2012, now Pat. No. Des. 679,967.

(51) **LOC (10) Cl.** **08-05**

(52) **U.S. Cl.**
USPC **D8/17; D8/28**

(58) **Field of Classification Search**
USPC D8/17, 18, 19, 21, 28, 105; 81/119,
81/120, 121.1, 124.3, 124.4, 125.1, 176.1,
81/176.2, 186

See application file for complete search history.

(56) **References Cited**

U.S. PATENT DOCUMENTS

2,503,683 A * 4/1950 Perkins 81/3.55
3,185,001 A * 5/1965 Viator 81/177.1

D338,815 S *	8/1993	Wintle, Jr.	D8/21
D369,532 S *	5/1996	Scutt	D8/40
D416,178 S *	11/1999	Moore et al.	D8/16
7,117,766 B1 *	10/2006	Boehringer	81/121.1
D545,650 S *	7/2007	Kiely	D8/19
D558,542 S *	1/2008	Kiely	D8/19
D578,363 S *	10/2008	Cacciacarne	D8/27
D631,319 S *	1/2011	Davis	D8/88
D666,883 S *	9/2012	Howard et al.	D8/19

* cited by examiner

Primary Examiner — Randall Gholson

(74) *Attorney, Agent, or Firm* — Maginot, Moore & Beck

(57) **CLAIM**

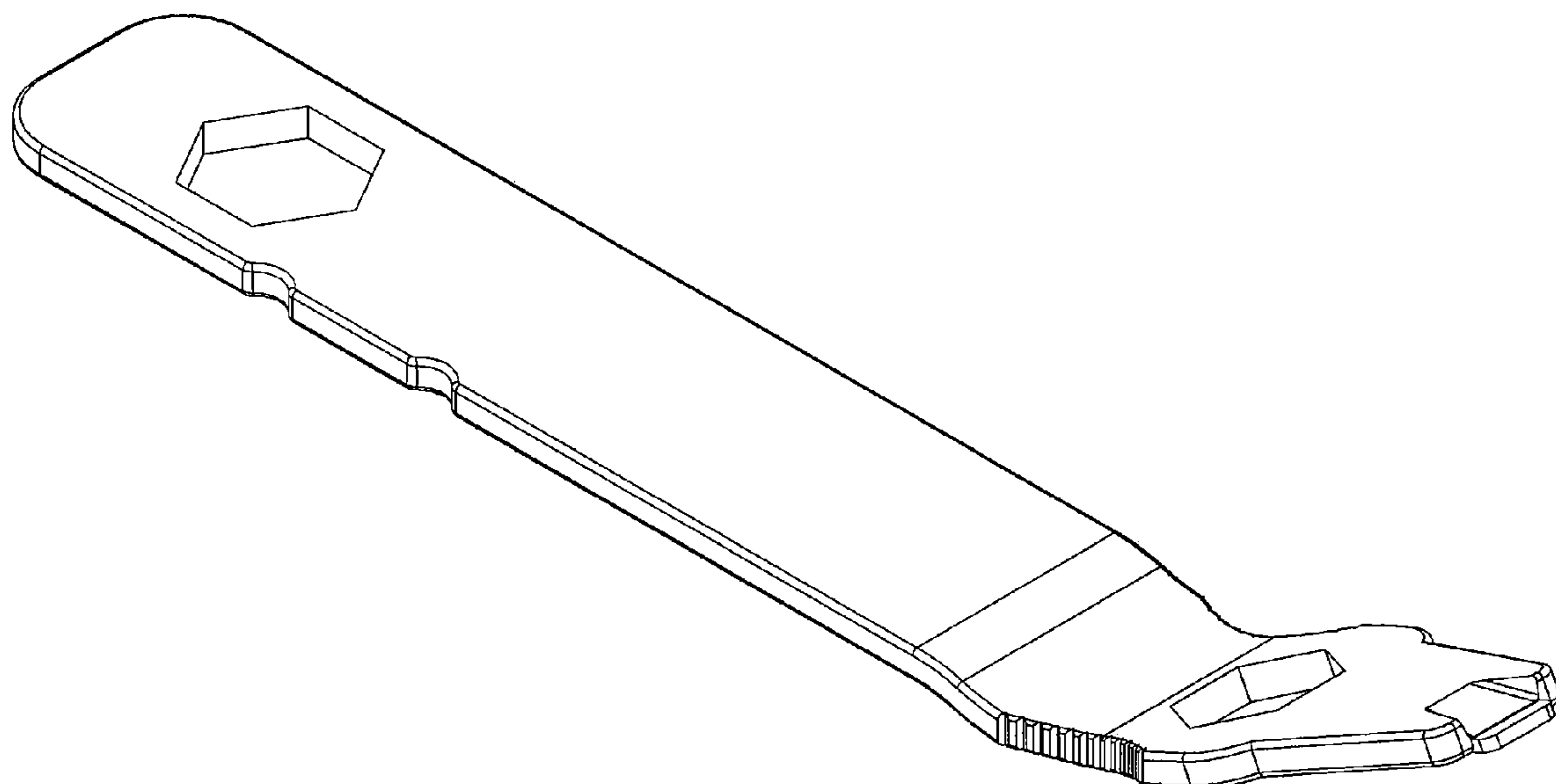
The ornamental design for the multi-function wrench for a power tool, as shown and described.

DESCRIPTION

FIG. 1 is a front upper right perspective view of the multi-function wrench for a power tool;
FIG. 2 is a front view thereof;
FIG. 3 is a rear view thereof;
FIG. 4 is a right side view thereof;
FIG. 5 is a left side view thereof;
FIG. 6 is a bottom view thereof; and,
FIG. 7 is a top view thereof.

Elements shown in the drawings in broken or phantom lines form no part of the claimed design, and merely illustrate the environment in which the article embodying the design is used.

1 Claim, 4 Drawing Sheets



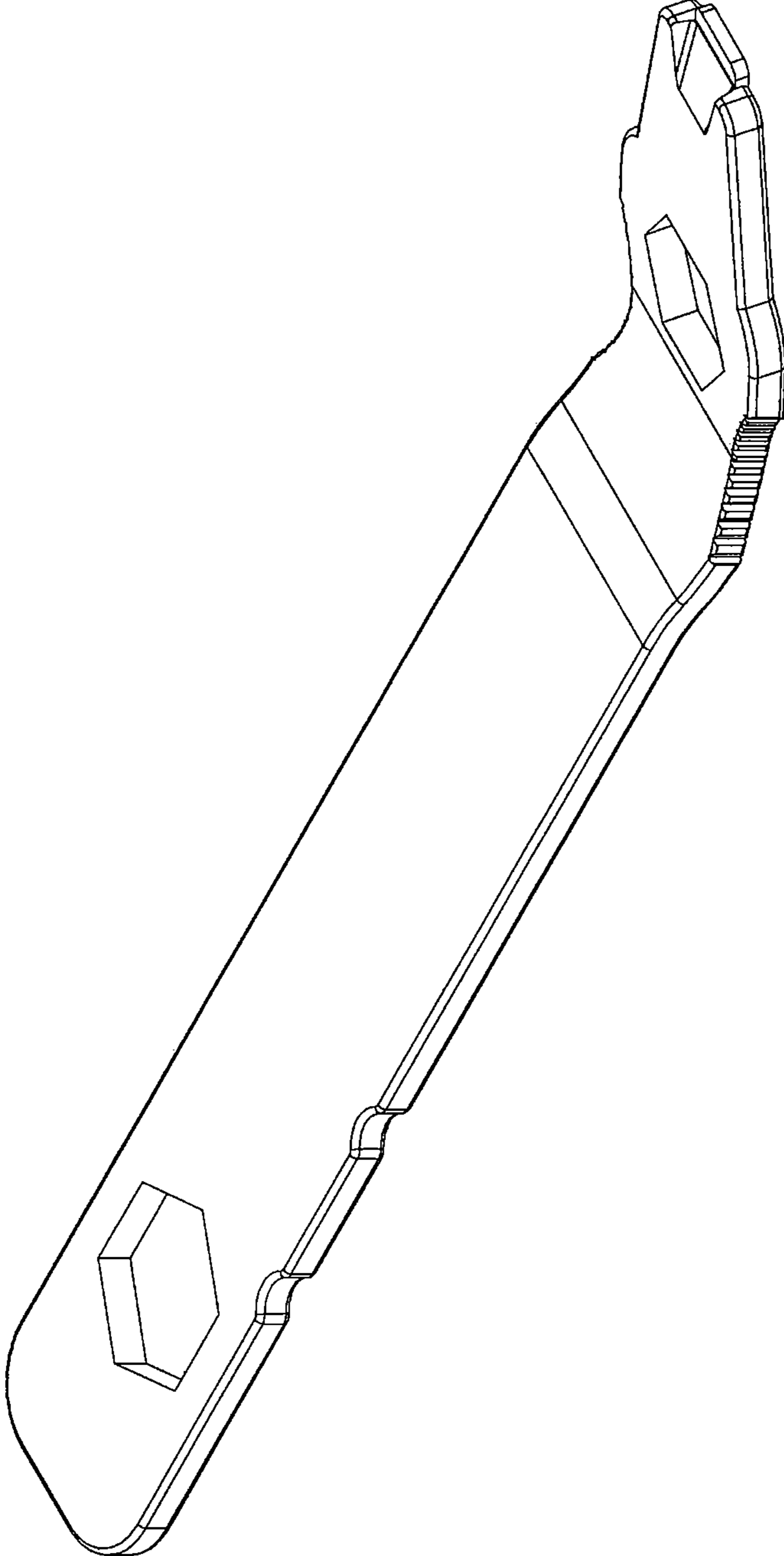


Fig. 1

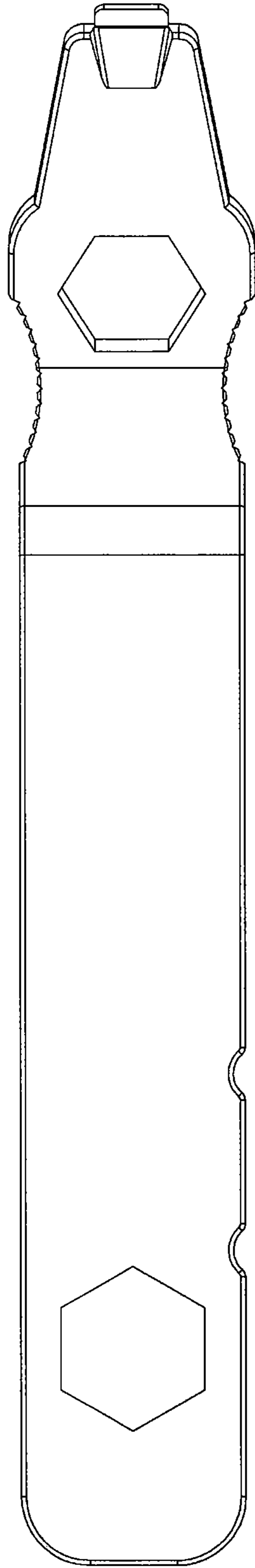


Fig. 2

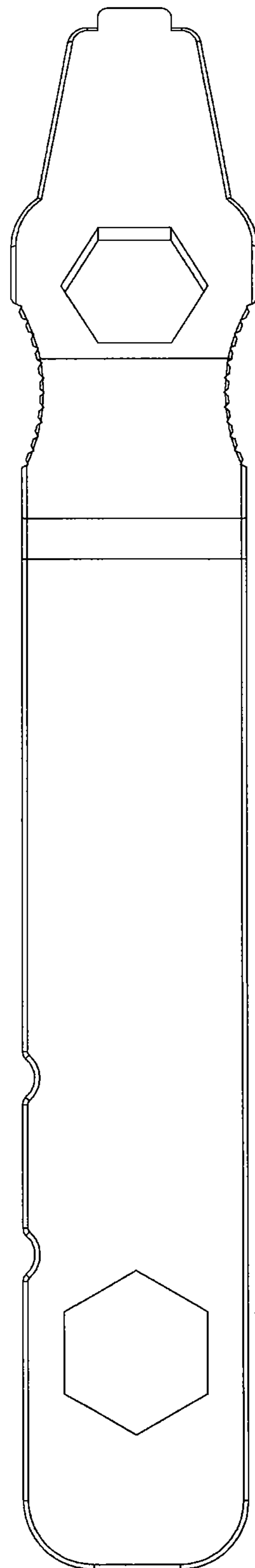


Fig. 3

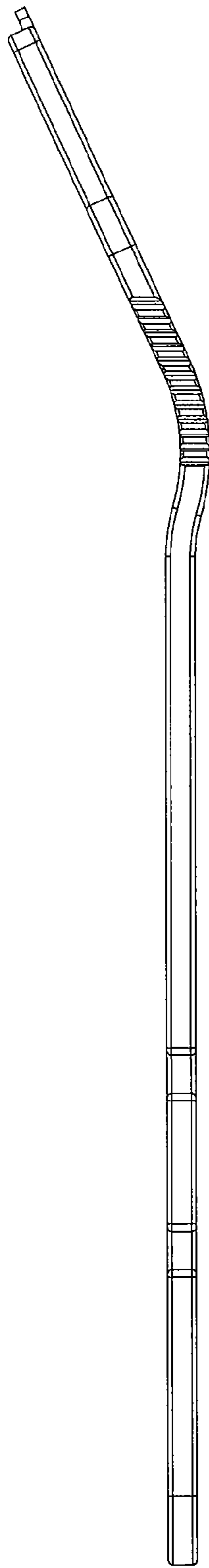


Fig. 4

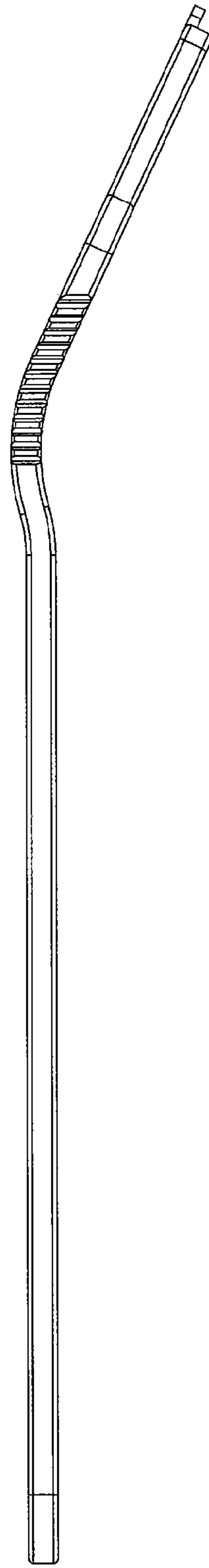


Fig. 5

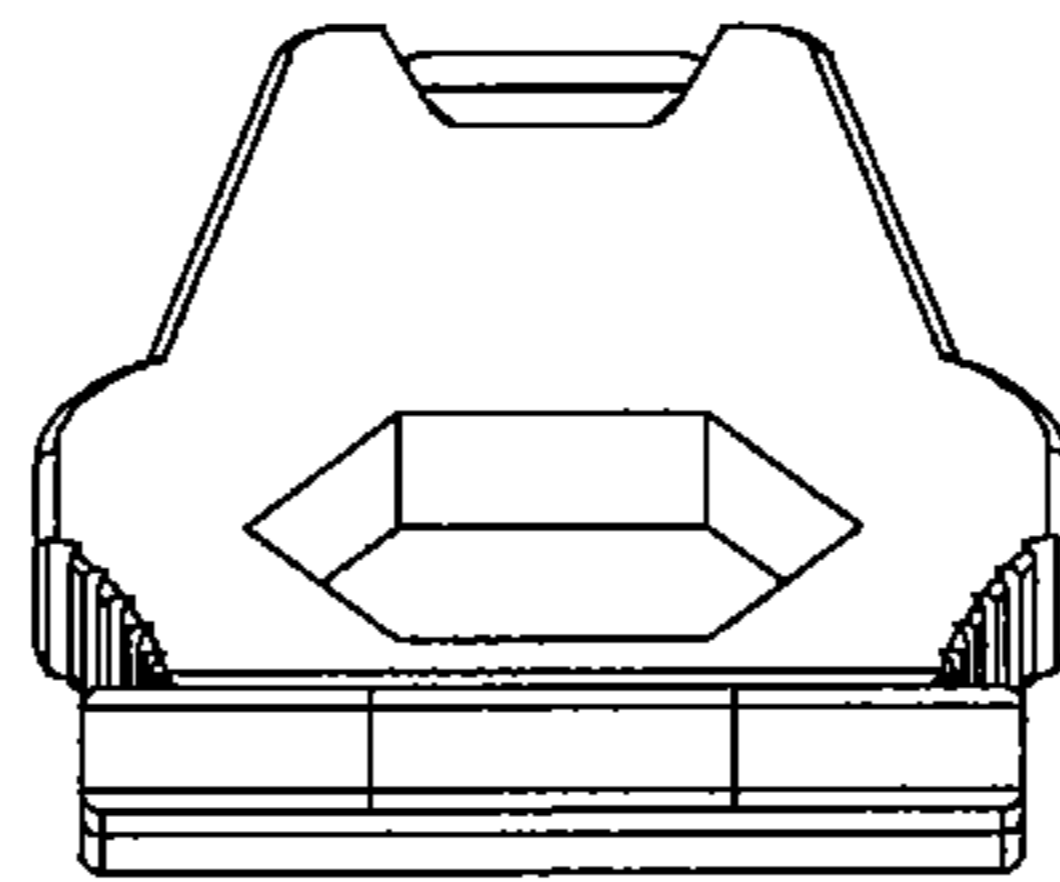


Fig. 6

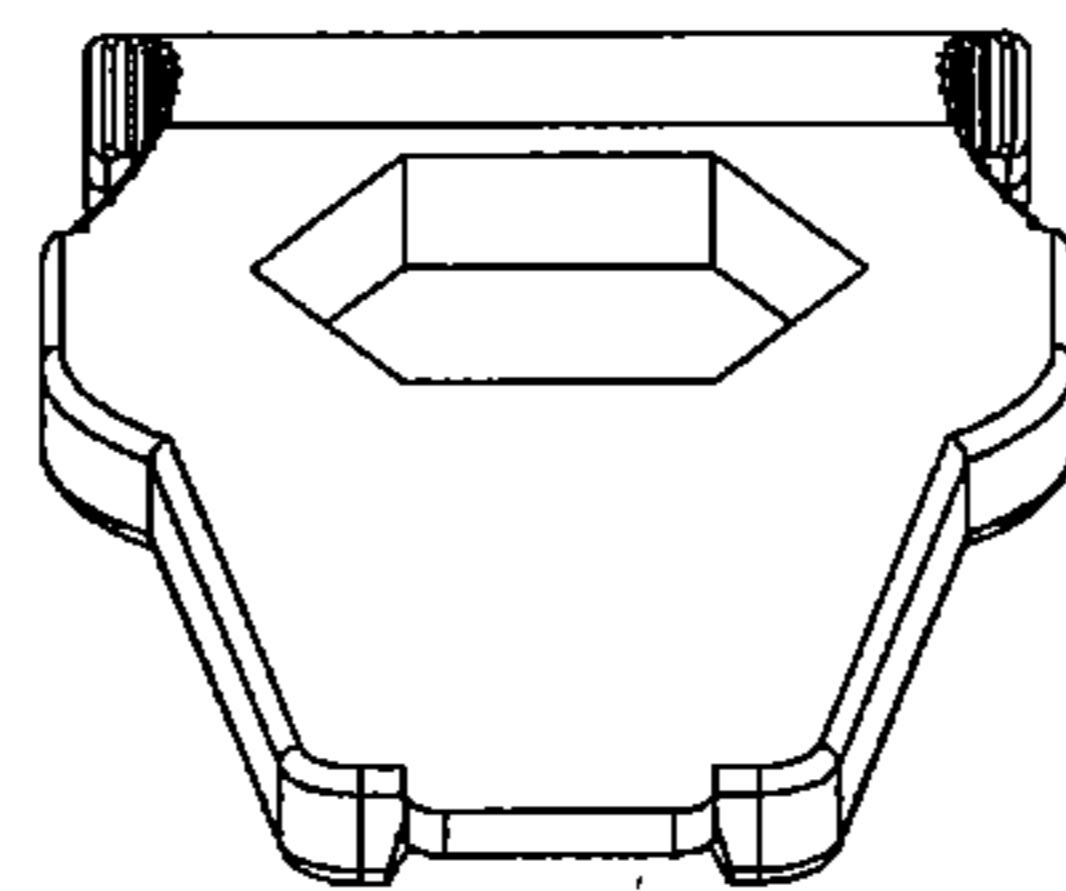


Fig. 7