

US00D703489S

(12) **United States Design Patent**
Thomas

(10) **Patent No.:** **US D703,489 S**
(45) **Date of Patent:** **** Apr. 29, 2014**

(54) **DRINKING GLASS WITH BALL EMBEDDED IN BASE**

(71) Applicant: **Russell Todd Thomas**, Porterville, CA (US)

(72) Inventor: **Russell Todd Thomas**, Porterville, CA (US)

(**) Term: **14 Years**

(21) Appl. No.: **29/439,020**

(22) Filed: **Dec. 5, 2012**

(51) **LOC (10) Cl.** **07-01**

(52) **U.S. Cl.**
USPC **D7/523**

(58) **Field of Classification Search**
USPC D3/202; D7/213, 305, 392.1, 396.2, D7/505, 507, 509, 501, 511, 523, 528, 533, D7/536, 901; 220/703, 705, 710, 713
See application file for complete search history.

(56) **References Cited**

U.S. PATENT DOCUMENTS

D448,621 S	*	10/2001	Satterfield	D7/515
D474,335 S	*	5/2003	von Schmidt et al.	D3/202
D490,304 S	*	5/2004	Landers	D9/668
D604,562 S	*	11/2009	Lopez	D7/515
D628,440 S	*	12/2010	LeVere	D7/515

OTHER PUBLICATIONS

1.5 oz. Sport Bottom Shot Glass by China Wholesale dated 2009, found online [Nov. 18, 2013] <http://www.promo-wholesale.com/china/Glasses-Drinking/5/1-1-2-Oz--Sport-Bottom-Shot-Glass---Football-90135.htm>.*

16 oz. Golf Ball Sport Bottom Pint Glass by OEMPromo dated Sep. 9, 2013. found online [Nov. 18, 2013] <http://www.oempromo.com/product/Drinking-Glasses/1/16-Oz--Golf-Ball-Sport-Bottom-Pint-Glass-64928.htm>.*

* cited by examiner

Primary Examiner — Robert M Spear

Assistant Examiner — Marissa Cash

(74) *Attorney, Agent, or Firm* — R. Scott Kimsey, Esq.; Klein DeNatale Goldner

(57) **CLAIM**

The ornamental design for a drinking glass with ball embedded in base, as shown and described.

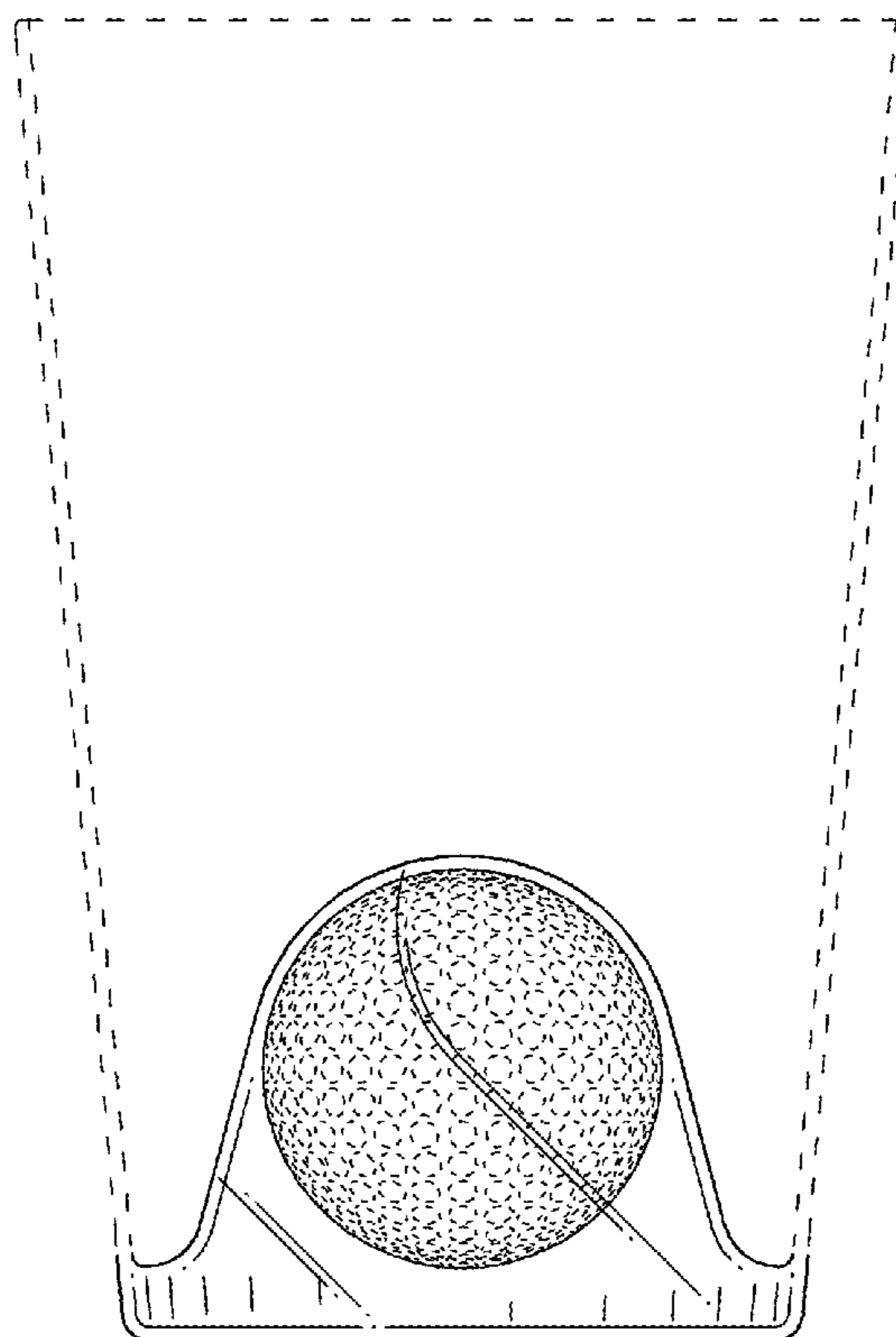
DESCRIPTION

FIG. 1 is a side view of a drinking glass showing the present design of a ball embedded in the base of the glass.

FIG. 2 is a top view thereof; and,

FIG. 3 is a bottom view thereof.

1 Claim, 2 Drawing Sheets



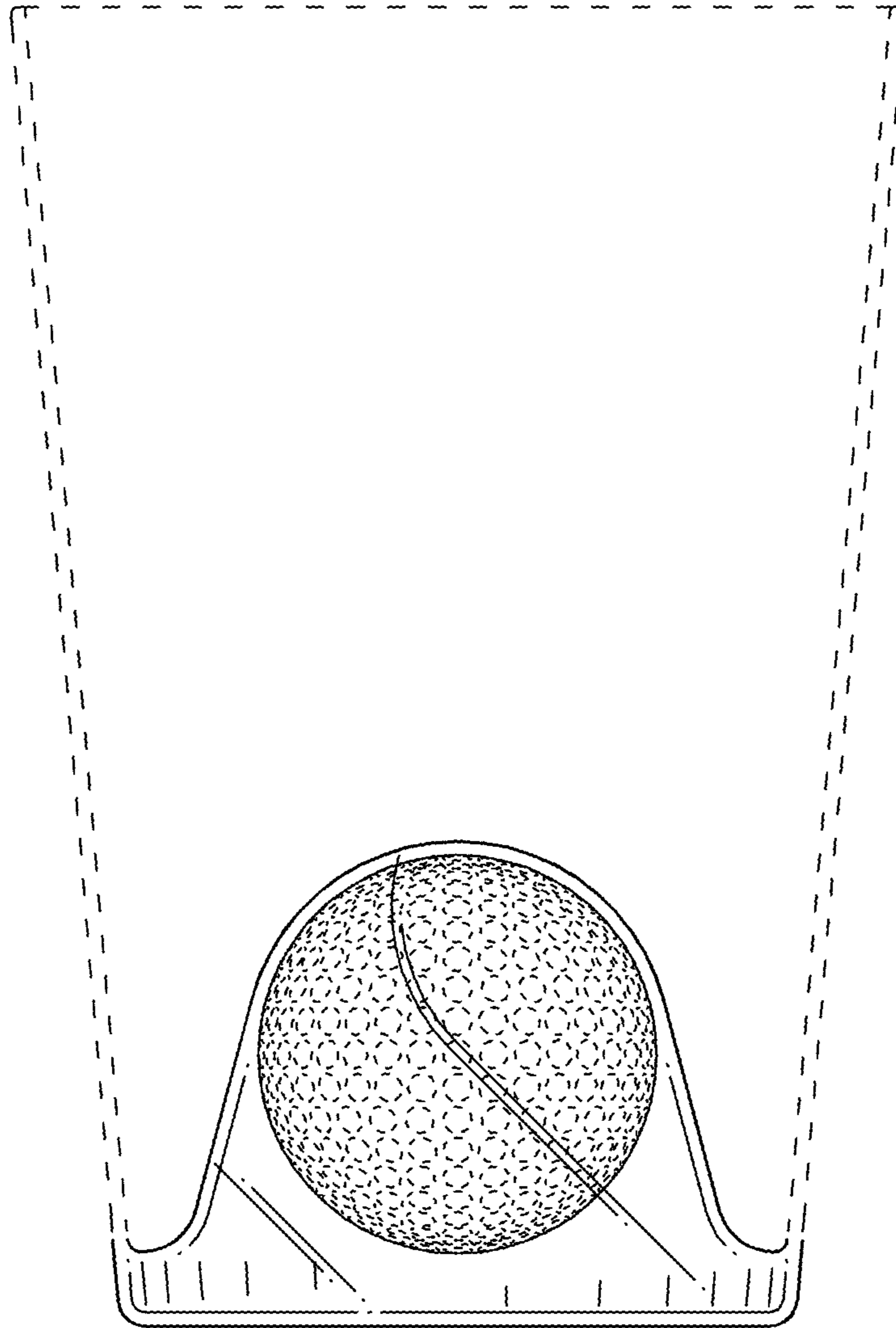


FIG. 1

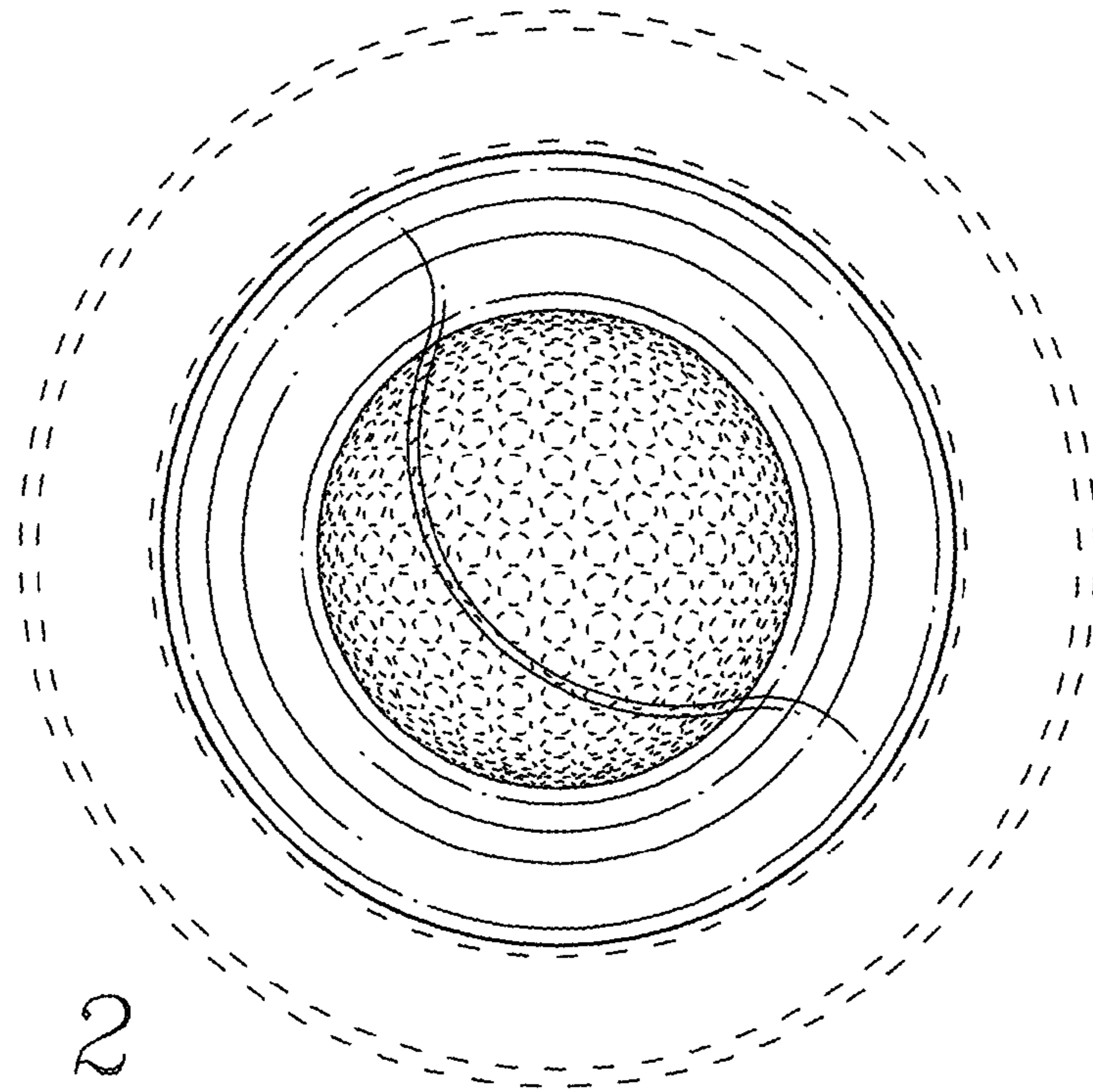


FIG. 2

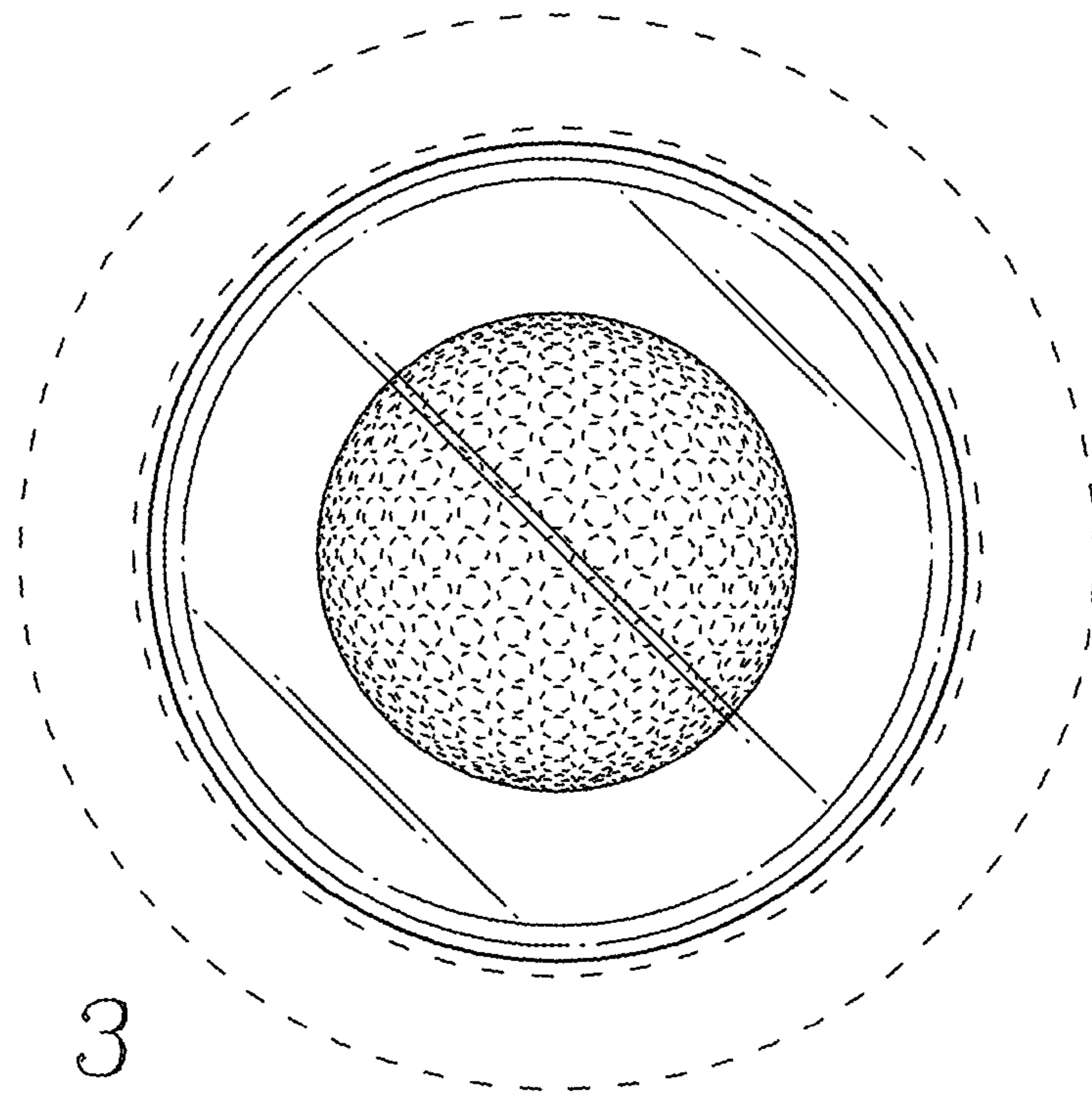


FIG. 3