



US00D703485S

(12) **United States Design Patent**
Zemel et al.

(10) **Patent No.:** **US D703,485 S**
(45) **Date of Patent:** **** Apr. 29, 2014**

(54) **COOKING TRAY**

(56) **References Cited**

(71) Applicant: **Ferrellgas Real Estate, Inc.**, Liberty, MO (US)

U.S. PATENT DOCUMENTS

(72) Inventors: **Marc Zemel**, Old Bethpage, NY (US);
Adam Schillen, Dix Hills, NY (US)

D323,599 S *	2/1992	Griffard	D7/408
D327,534 S *	6/1992	Manville et al.	D23/261
D351,489 S *	10/1994	Helfrick	D30/161
D389,015 S *	1/1998	Karroll	D7/409
D395,548 S *	6/1998	Morissette	D3/307
D404,854 S *	1/1999	Howarth	D30/161
D417,124 S *	11/1999	Chen	D7/409
D481,179 S *	10/2003	Wendt et al.	D32/3
D522,807 S	6/2006	Dow et al.	
7,340,994 B2 *	3/2008	Bruno et al.	99/450
D585,702 S	2/2009	Borovicka et al.	
D609,525 S	2/2010	Rabanal	
7,717,029 B2	5/2010	Rowe et al.	
D618,957 S	7/2010	Zemel	
D621,655 S	8/2010	Zemel	

(73) Assignee: **Blue Rhino Global Sourcing, Inc.**, Liberty, MO (US)

(**) Term: **14 Years**

(21) Appl. No.: **29/453,363**

(22) Filed: **Apr. 29, 2013**

(51) **LOC (10) Cl.** **07-02**

(52) **U.S. Cl.**
USPC **D7/409**

(58) **Field of Classification Search**
USPC D3/307; D7/323, 329-337, 339, D7/346-347, 350.1-350.4, 352-367, D7/387-388, 391, 392.1, 393, 395, 402, D7/407-410, 500, 505, 538-545, 552.1, D7/552.2, 553.2, 554.3, 555, 566, D7/584-587, 602, 672-674, 698, 701, 705, D7/708; D23/261; D30/161; D32/3; 99/324-325, 331-332, 337-349, 358, 99/369-376, 380, 389, 400-418, 421 H, 99/422-426, 444-446, 483; 126/9 B, 25 R, 126/29, 30, 37 R, 261, 275 R, 376.1, 378.1; 206/501-505, 507-508, 518; 219/386, 219/400, 405, 429-442, 450.1, 452.13, 219/460.1, 620-624, 725, 730-735; 220/4.21-4.24, 23.8, 315, 220/573.1-573.5, 626, 629, 675, 743, 756, 220/769, 912; 426/132, 438, 441, 549

See application file for complete search history.

(Continued)

OTHER PUBLICATIONS

Design U.S. Appl. No. 29/429,770, filed Aug. 16, 2012.

Primary Examiner — Ricky Pham

(74) *Attorney, Agent, or Firm* — Carter, DeLuca, Farrell & Schmidt LLP

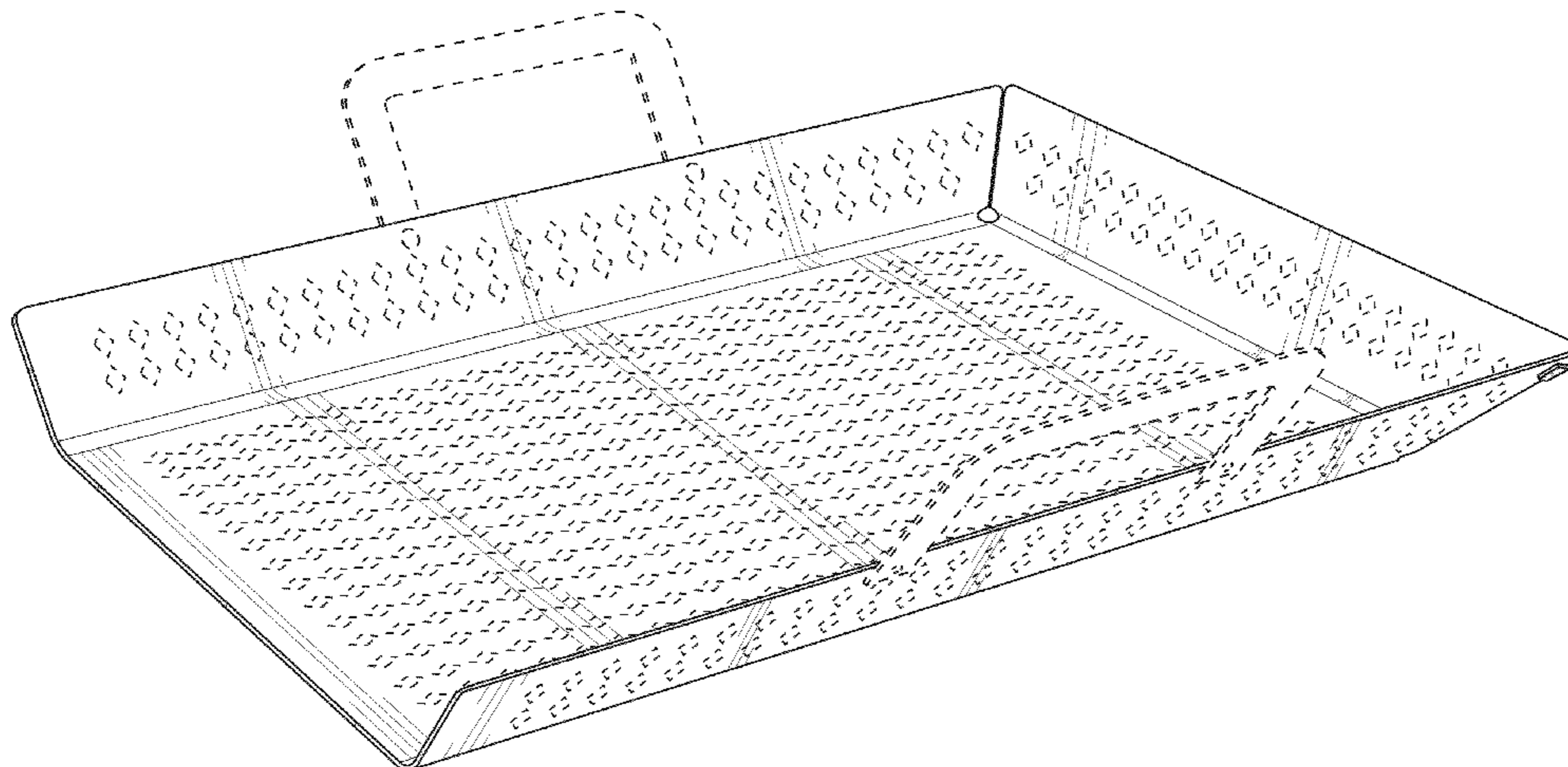
(57) **CLAIM**

The ornamental design for a cooking tray, as shown and described.

DESCRIPTION

FIG. 1 is a perspective view of a cooking tray in accordance with the present design;
FIG. 2 is a right side elevational view thereof, the left side elevational view being a mirror image thereof;
FIG. 3 is a front side elevational view thereof;
FIG. 4 is a rear side elevational view thereof;
FIG. 5 is a top plan view thereof; and,
FIG. 6 is a bottom plan view thereof.
The broken lines shown in the drawings illustrate portions of the cooking tray that form no part of the claimed design.

1 Claim, 5 Drawing Sheets



(56)

References Cited

U.S. PATENT DOCUMENTS

D624,787 S 10/2010 Adams et al.
D635,825 S 4/2011 Borovicka et al.
D639,601 S 6/2011 Borovicka et al.
D639,603 S * 6/2011 Degnan D7/360
D648,175 S * 11/2011 Zemel D7/409

D650,632 S 12/2011 Zemel
D651,457 S 1/2012 Borovicka et al.
D653,497 S * 2/2012 Cloutier et al. D7/360
D658,441 S 5/2012 Borovicka et al.
D658,942 S 5/2012 Borovicka et al.
D668,506 S * 10/2012 Zemel D7/409
2008/0066734 A1 3/2008 Bright

* cited by examiner

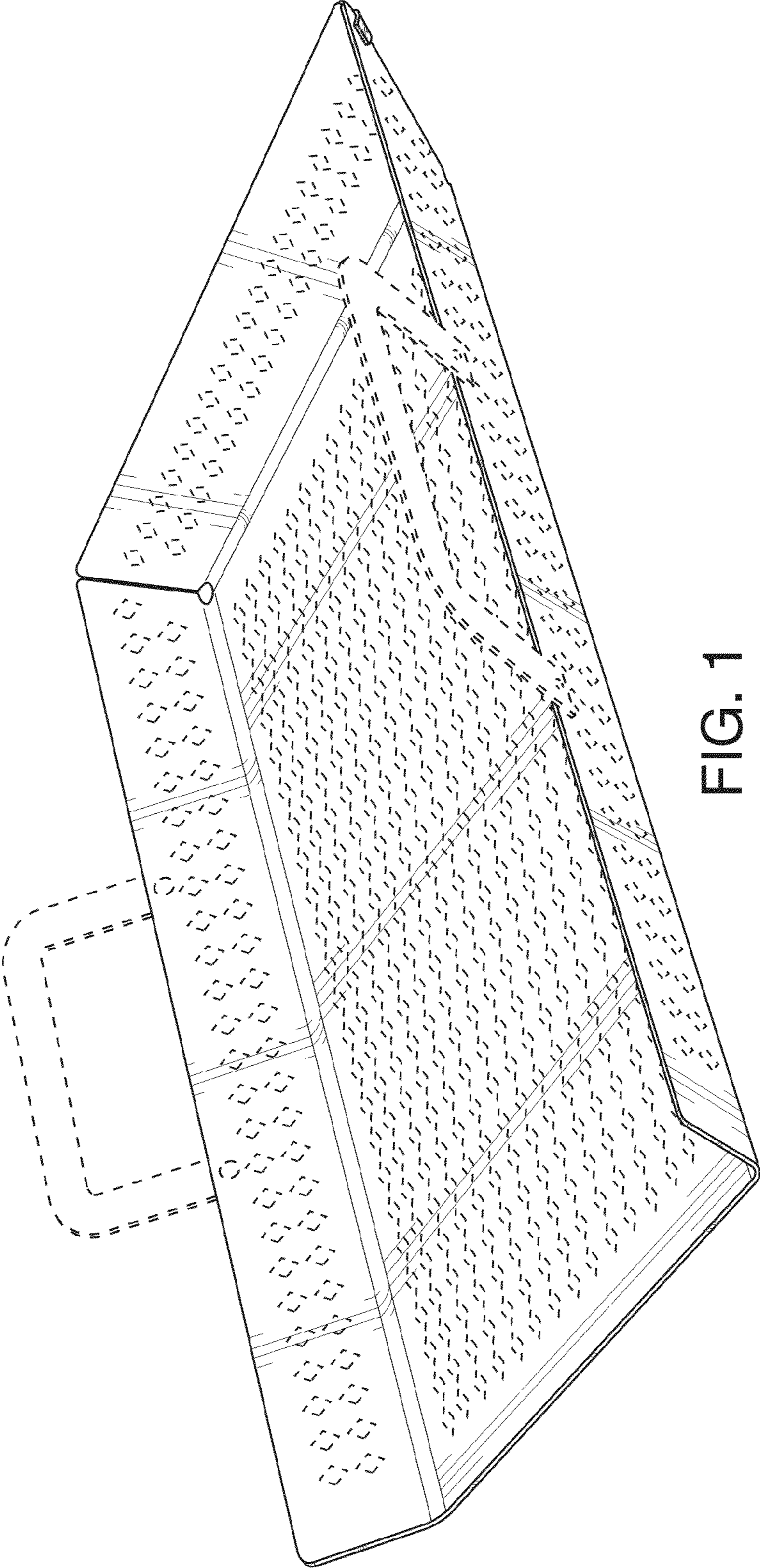


FIG. 1

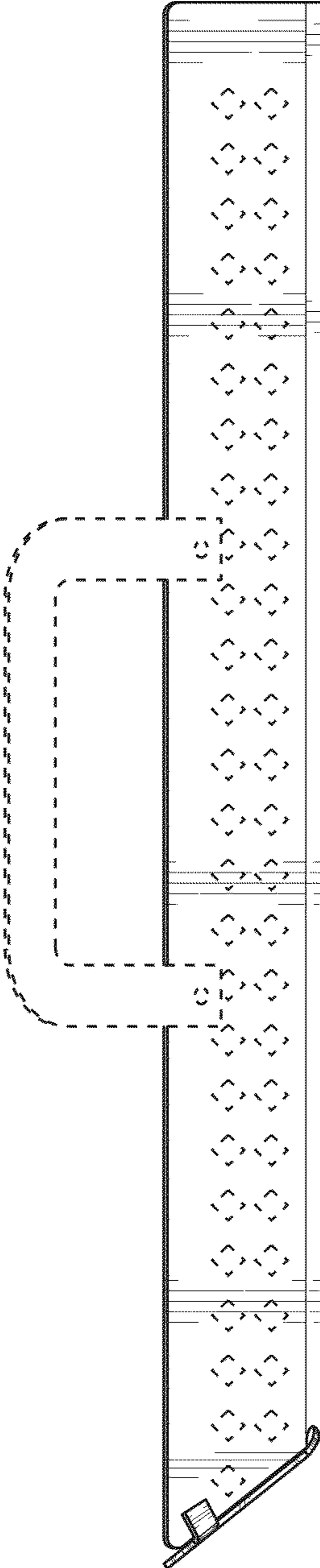


FIG. 2

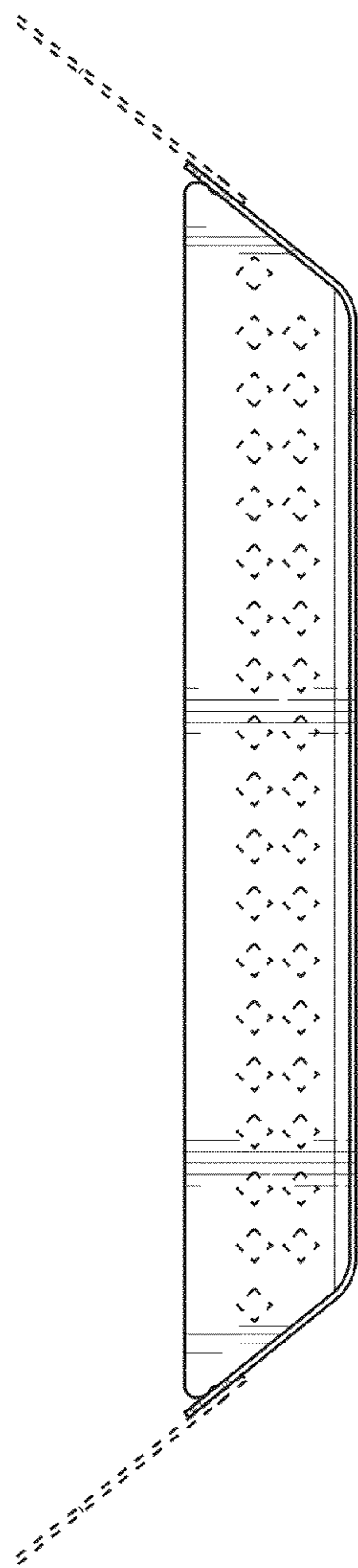


FIG. 3

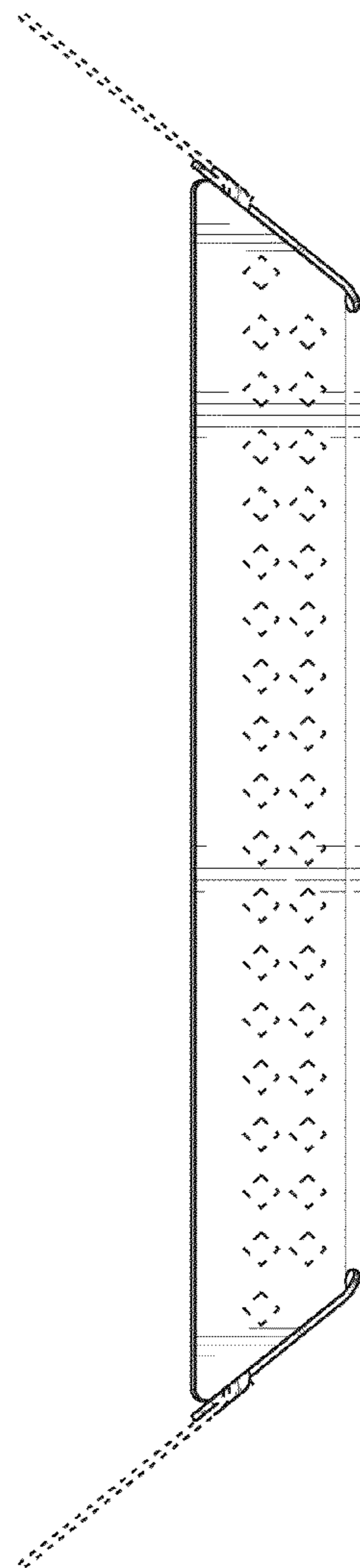


FIG. 4

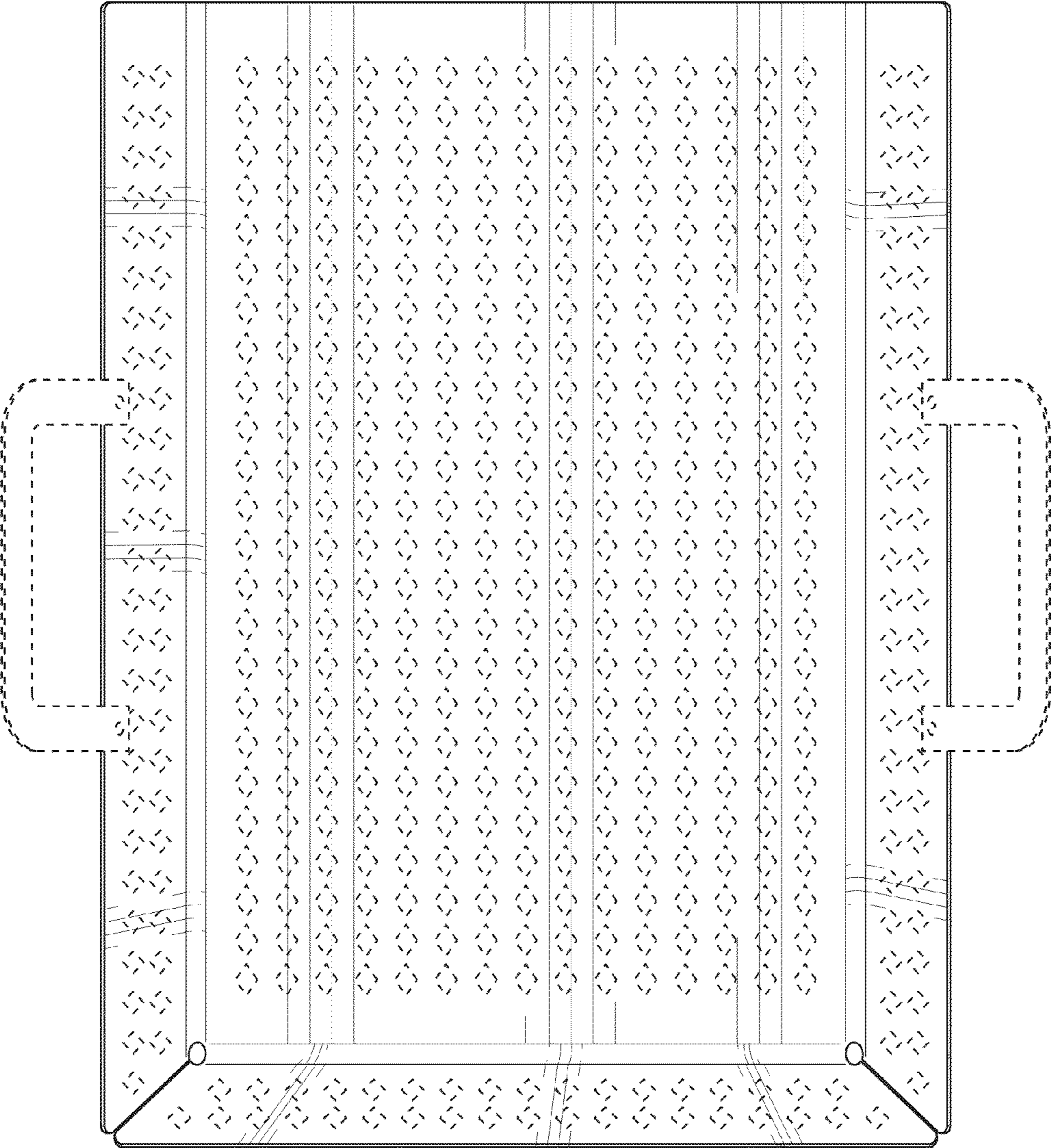


FIG. 5

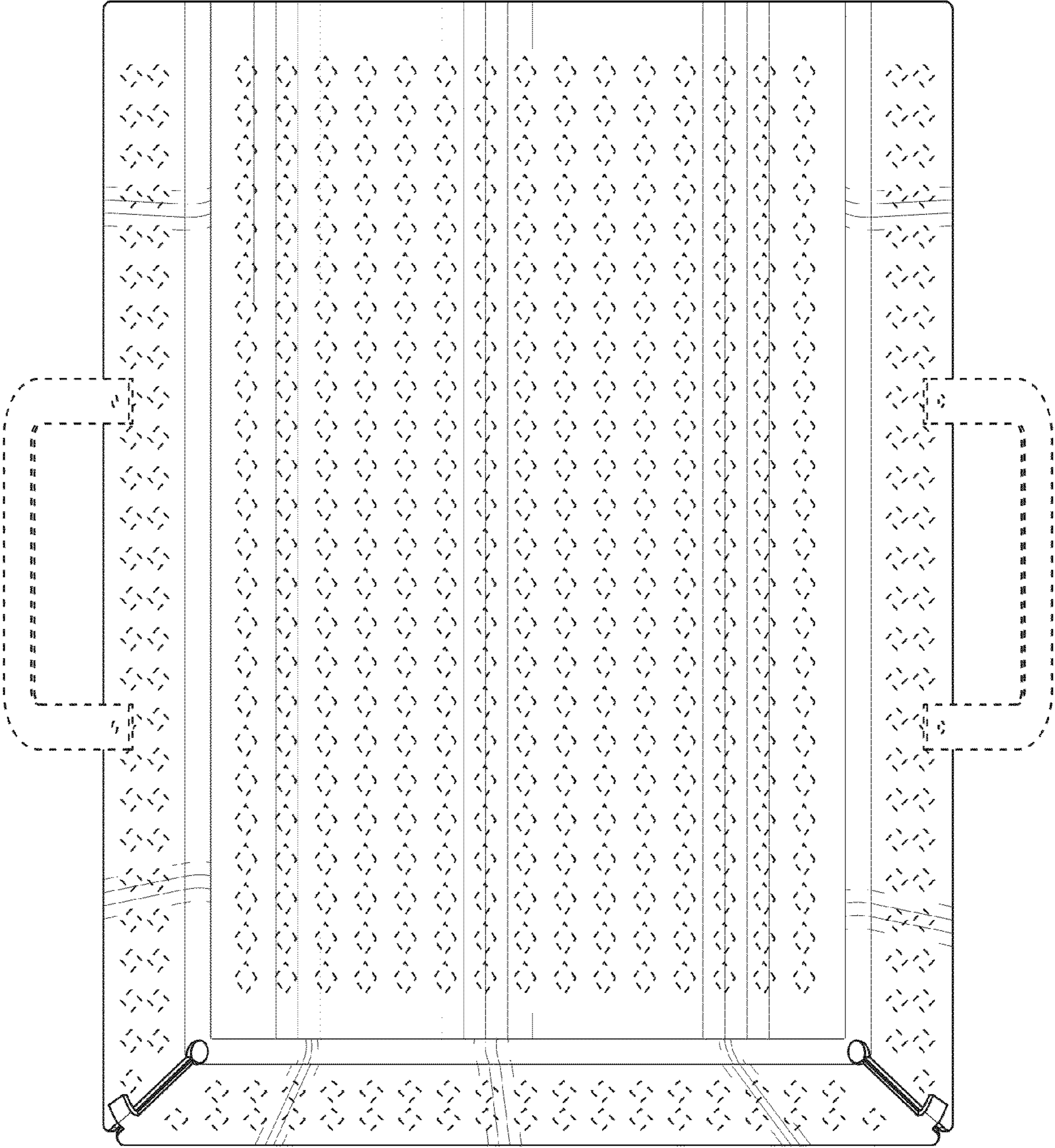


FIG. 6