



US00D703484S

(12) **United States Design Patent**
Boo et al.

(10) **Patent No.:** **US D703,484 S**
(45) **Date of Patent:** **** Apr. 29, 2014**

(54) **BURNER GRATE**

(71) Applicant: **Samsung Electronics Co., Ltd.**,
Suwon-si (KR)

(72) Inventors: **Min-Hyong Boo**, Seoul (KR);
Kyung-Tae Kim, Suwon-Si (KR);
Kang-Doo Kim, Seoul (KR)

(73) Assignee: **Samsung Electronics Co., Ltd.**,
Suwon-si (KR)

(**) Term: **14 Years**

(21) Appl. No.: **29/456,035**

(22) Filed: **May 28, 2013**

(30) **Foreign Application Priority Data**

Dec. 5, 2012 (KR) 30-2012-0058439

(51) **LOC (10) Cl.** **07-02**

(52) **U.S. Cl.**
USPC **D7/408**

(58) **Field of Classification Search**
USPC D7/339-341, 346, 354-361, 388, 402,
D7/408-409; D23/346-347, 397; 99/385,
99/402, 403, 427, 449-450, 421 A, 421 H,
99/421 R; 126/211, 275 R; 220/491, 912
See application file for complete search history.

(56) **References Cited**

U.S. PATENT DOCUMENTS

D64,935 S * 6/1924 Sherman D7/408
D68,133 S * 9/1925 Cooney D7/408
D209,436 S * 11/1967 Myler D7/408

D367,802 S * 3/1996 Lewis et al. D7/408
D369,062 S * 4/1996 Holbrook, Jr. D7/408
D371,277 S * 7/1996 Pink D7/408
D401,112 S * 11/1998 Miller D7/408
D502,632 S * 3/2005 Becker et al. D7/408
D551,501 S * 9/2007 Baldwin D7/408
D602,738 S * 10/2009 Bengtson et al. D7/408
D616,247 S * 5/2010 Fuller et al. D7/408
D628,017 S * 11/2010 Funnell et al. D7/408
D633,337 S * 3/2011 Funnell et al. D7/408
D678,723 S * 3/2013 Funnell et al. D7/408

* cited by examiner

Primary Examiner — T. Chase Nelson

Assistant Examiner — Mark Cavanna

(74) *Attorney, Agent, or Firm* — NSIP Law

(57) **CLAIM**

The ornamental design for a burner grate, as shown and described.

DESCRIPTION

FIG. 1 is a perspective view of a burner grate, showing our new design;
FIG. 2 is a front view thereof;
FIG. 3 is a rear view thereof;
FIG. 4 is a left-side view thereof;
FIG. 5 is a right-side view thereof;
FIG. 6 is a top plan view thereof;
FIG. 7 is a bottom plan view thereof; and,
FIG. 8 is a perspective view of a burner grate of FIG. 1, in which a gas-range oven in broken lines is provided to illustrate an example environment.
The broken lines are for illustrative purposes only and form no part of the claimed design. The shade lines in the figures show contour and not surface ornamentation.

1 Claim, 6 Drawing Sheets

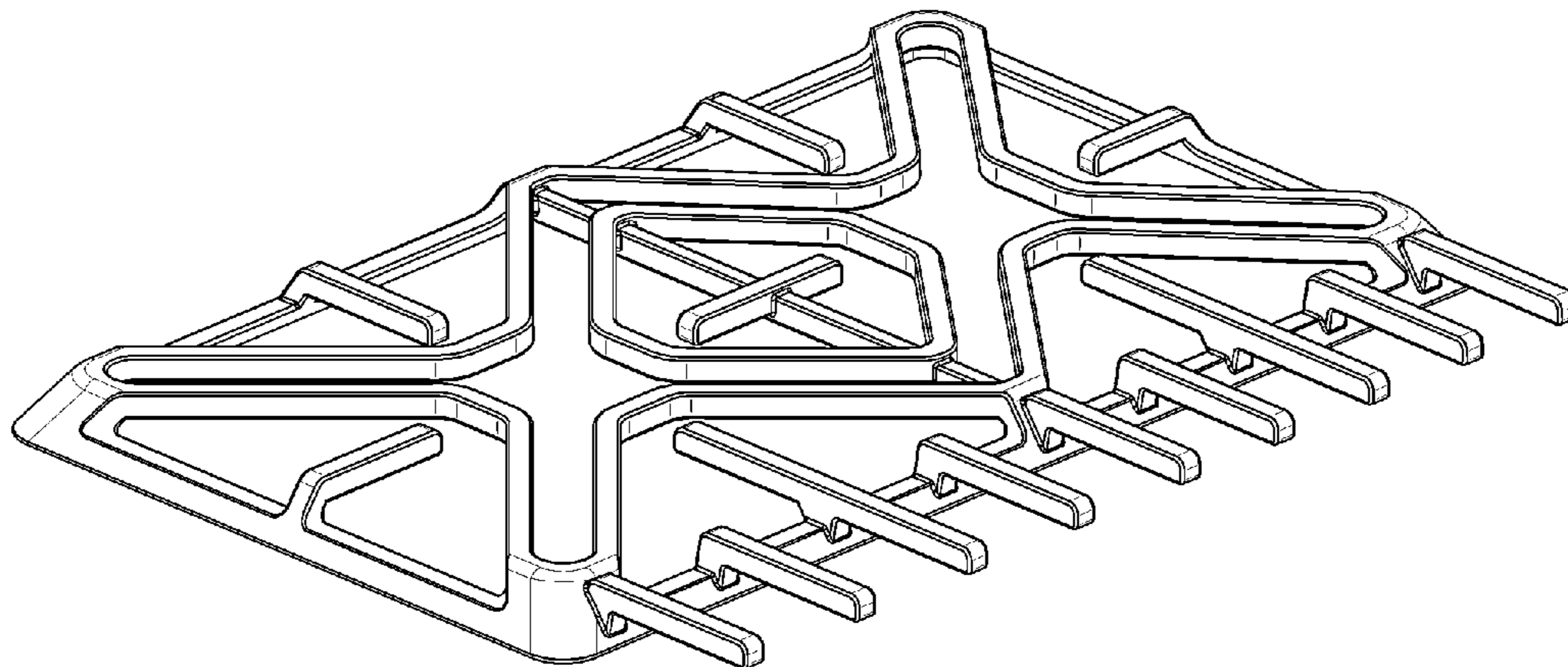


FIG. 1

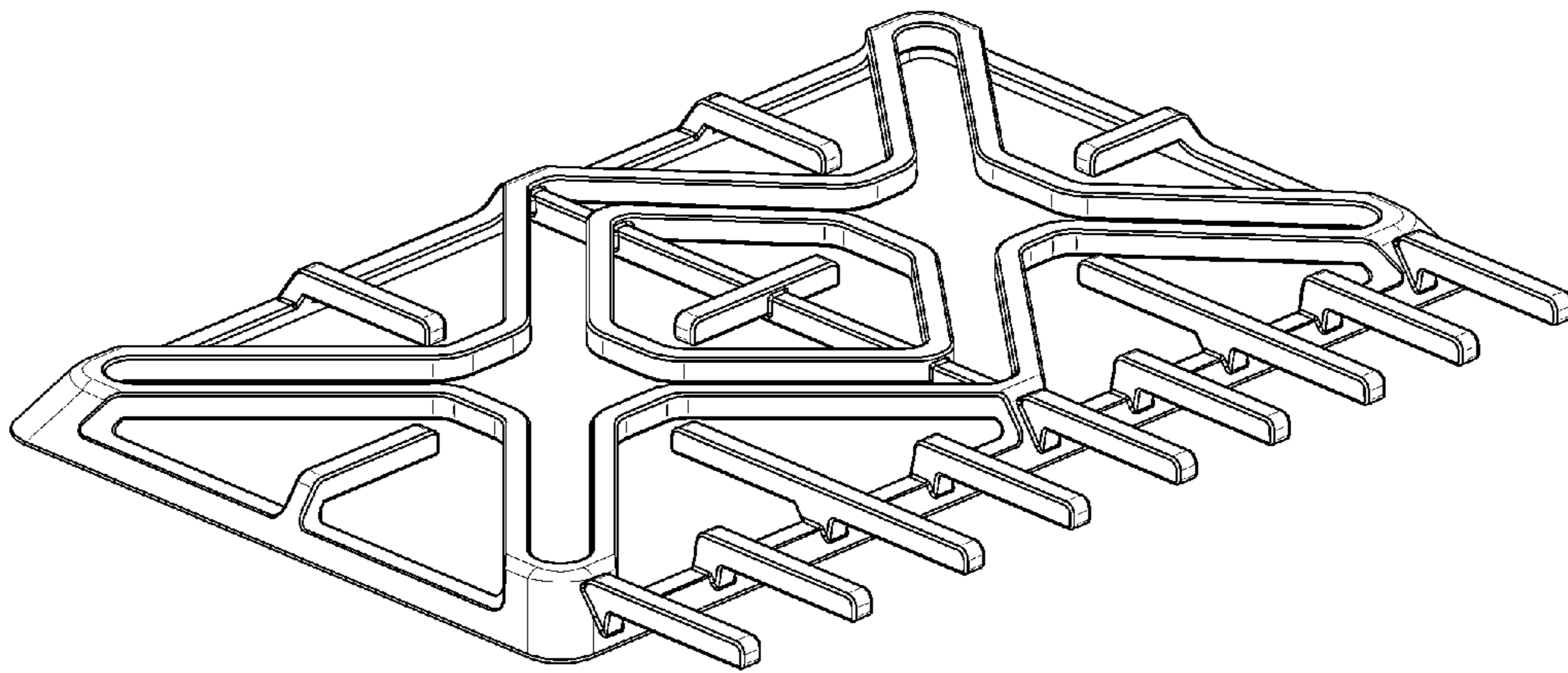


FIG. 2



FIG. 3

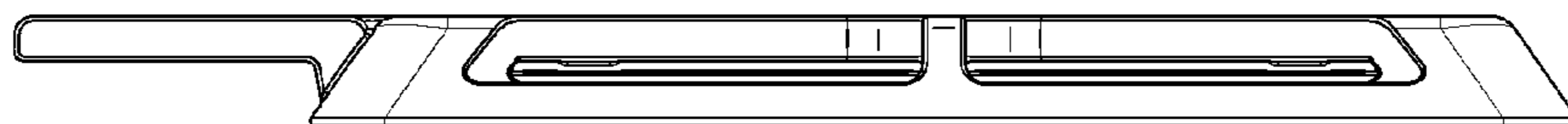


FIG. 4



FIG. 5

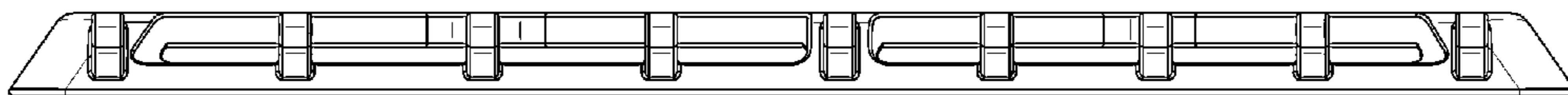


FIG. 6

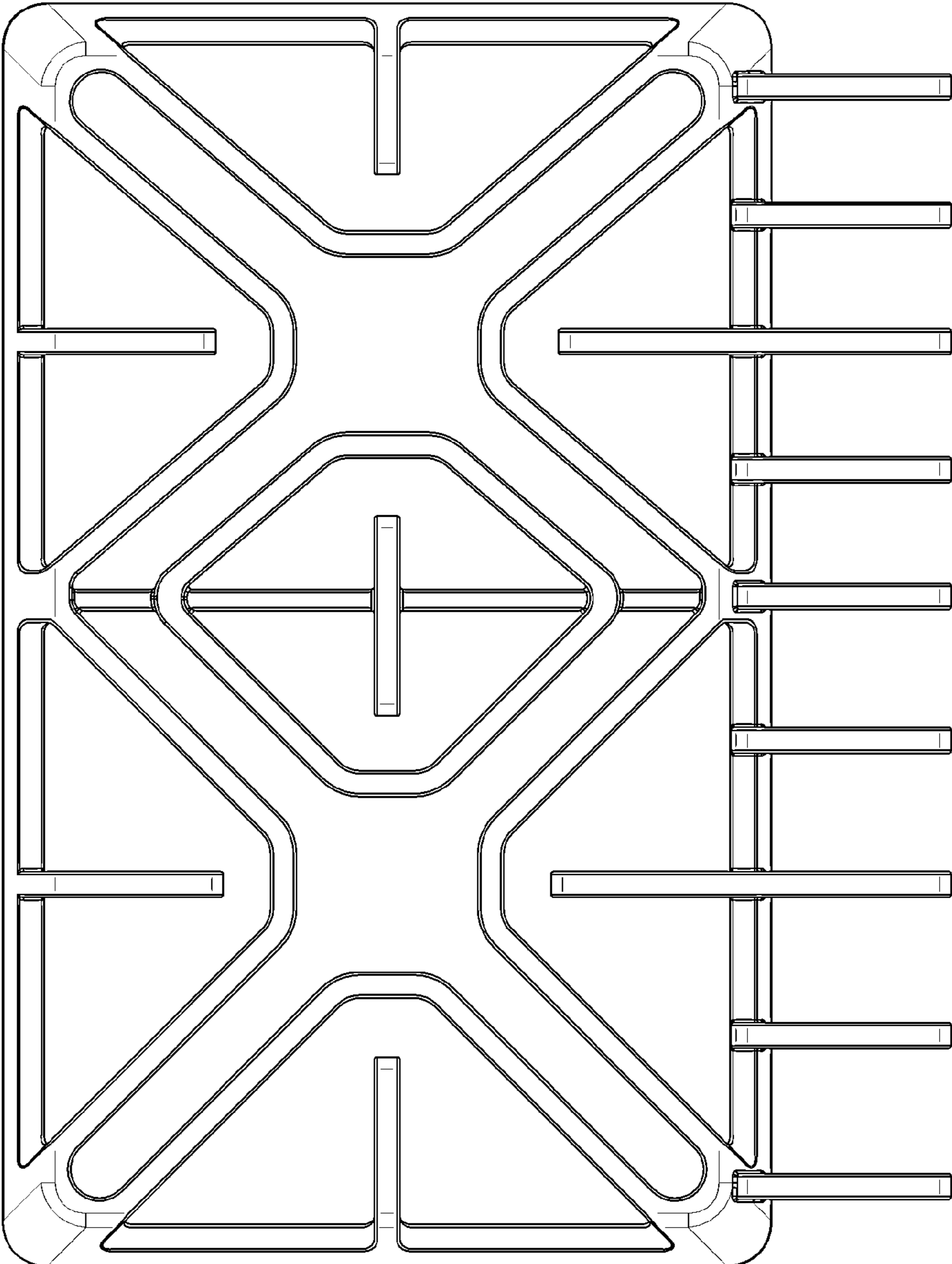


FIG. 7

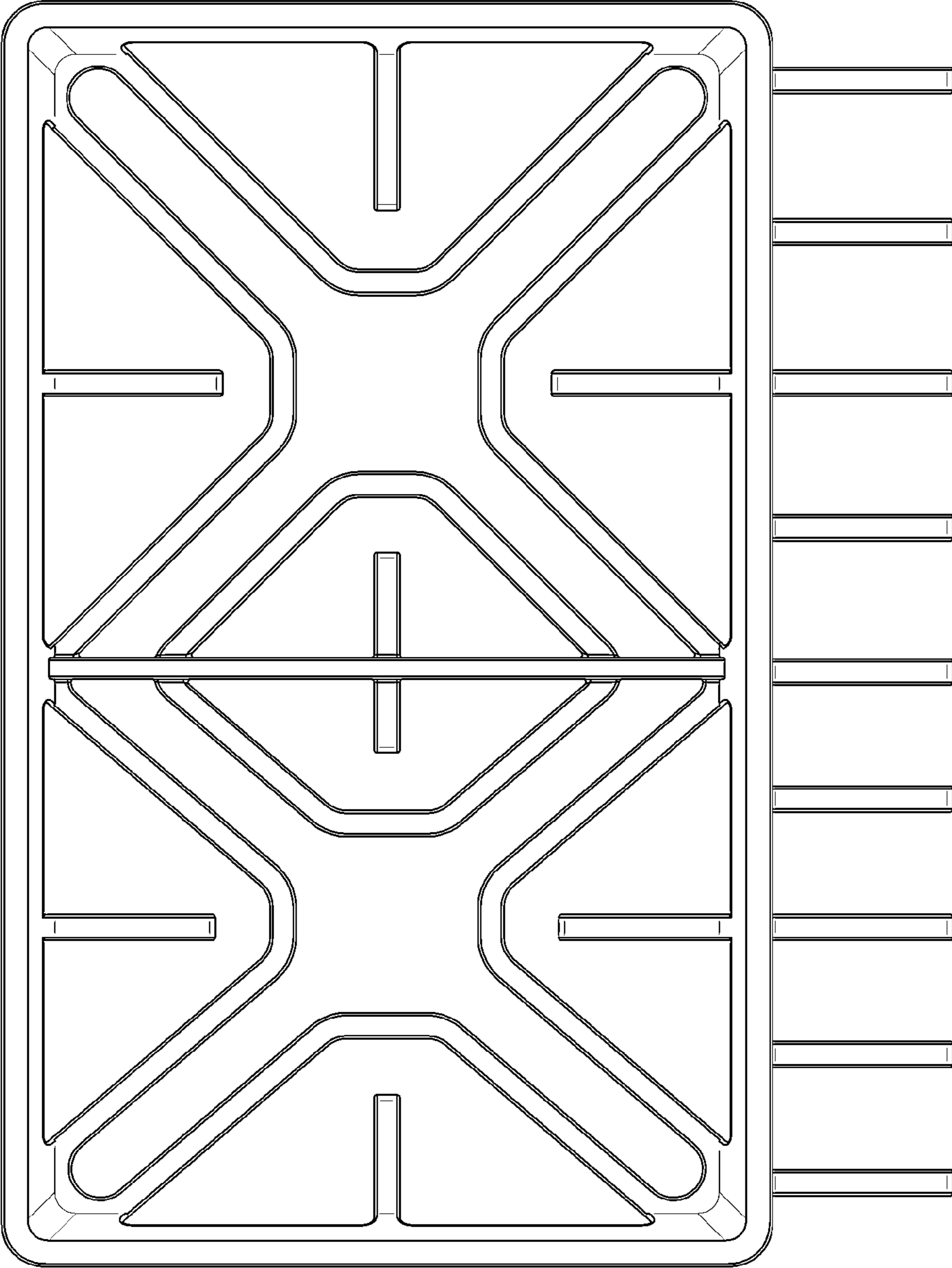


FIG. 8

