



US00D703480S

(12) **United States Design Patent**
Lownds

(10) **Patent No.:** **US D703,480 S**
(45) **Date of Patent:** **** Apr. 29, 2014**

(54) **HAND MIXER**

(71) Applicant: **Whirlpool Corporation**, Benton Harbor, MI (US)

(72) Inventor: **Zachary A. H. Lownds**, Saint Joseph, MI (US)

(73) Assignee: **Whirlpool Corporation**, Benton Harbor, MI (US)

(**) Term: **14 Years**

(21) Appl. No.: **29/447,360**

(22) Filed: **Mar. 1, 2013**

(51) **LOC (10) Cl.** **31-00**

(52) **U.S. Cl.**
USPC **D7/379; D7/376; D7/378**

(58) **Field of Classification Search**
USPC D7/301–313, 316–326, 354–357, 368, D7/372–386, 391–398, 402, 412–415, 503, D7/515, 543, 584–587, 607, 665–666, 679, D7/691–693; D8/64; 99/280, 326, 348, 99/492, 508–512; 241/30–37.5, 82.1, 92, 241/98, 101.01–101.2, 166–169.1, 172, 241/272, 282.2, 285.1–285.3, 291, 292.1; 248/309.2; 366/64–67, 98, 129, 366/142–144, 169.1, 192–211, 241–254, 366/262, 279–292, 314, 325.8, 325.92, 366/341–347; 416/75–77, 70 R, 163
See application file for complete search history.

(56) **References Cited**

U.S. PATENT DOCUMENTS

D178,266 S *	7/1956	Swann	D7/379
D329,165 S *	9/1992	Doggett	D7/376
D329,166 S *	9/1992	Doggett	D7/376
D362,783 S *	10/1995	Cruz	D7/379

D367,400 S *	2/1996	Viemeister et al.	D7/379
D387,244 S *	12/1997	Ivy et al.	D7/379
D396,991 S *	8/1998	Lallemand	D7/379
D400,049 S *	10/1998	Wanat et al.	D7/379
D416,168 S *	11/1999	Huang	D7/379
5,979,850 A *	11/1999	Hippen et al.	248/309.2
D418,010 S *	12/1999	Chan	D7/379
D419,365 S *	1/2000	Endres	D7/379
D419,366 S *	1/2000	Tse	D7/379
D433,593 S *	11/2000	Mattijssen	D7/379
6,234,663 B1 *	5/2001	Lecerf et al.	366/129
D471,758 S *	3/2003	Wilson	D7/379
D475,264 S *	6/2003	Kondo et al.	D8/64
6,572,254 B1 *	6/2003	Marriere et al.	366/129
6,585,403 B2 *	7/2003	Krall et al.	366/129
D478,467 S *	8/2003	Holderfield et al.	D7/379
6,637,925 B1 *	10/2003	Beaudet et al.	366/129
6,726,353 B1 *	4/2004	Beaudet et al.	366/129
D539,603 S *	4/2007	Holderfield et al.	D7/379
D593,360 S *	6/2009	Lee	D7/379
D665,223 S *	8/2012	Haley et al.	D7/379
D665,224 S *	8/2012	Benoit et al.	D7/379

* cited by examiner

Primary Examiner — Ricky Pham

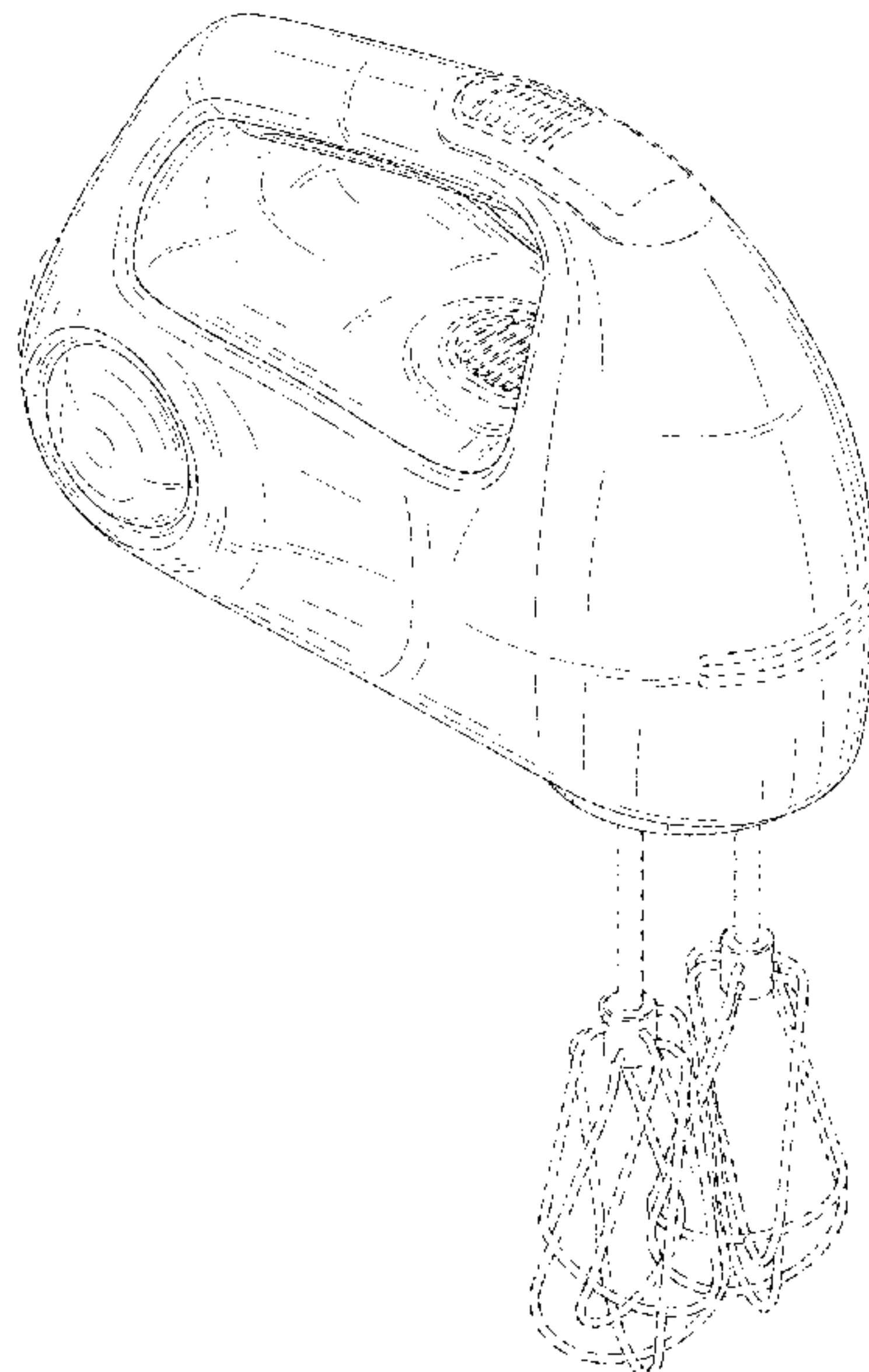
(57) **CLAIM**

The ornamental design for a hand mixer, as shown and described.

DESCRIPTION

FIG. 1 is a top perspective view of a hand mixer; FIG. 2 is a front elevational view of the hand mixer of FIG. 1; FIG. 3 is a rear elevational view of the hand mixer of FIG. 1; FIG. 4 is a side elevational view of the hand mixer of FIG. 1, the opposite side being a mirror image thereof; FIG. 5 is a top plan view of the hand mixer of FIG. 1; and, FIG. 6 is a bottom plan view of a hand mixer of FIG. 1. The broken lines shown in the drawings are for illustrative purposes only and form no part of the claimed design.

1 Claim, 4 Drawing Sheets



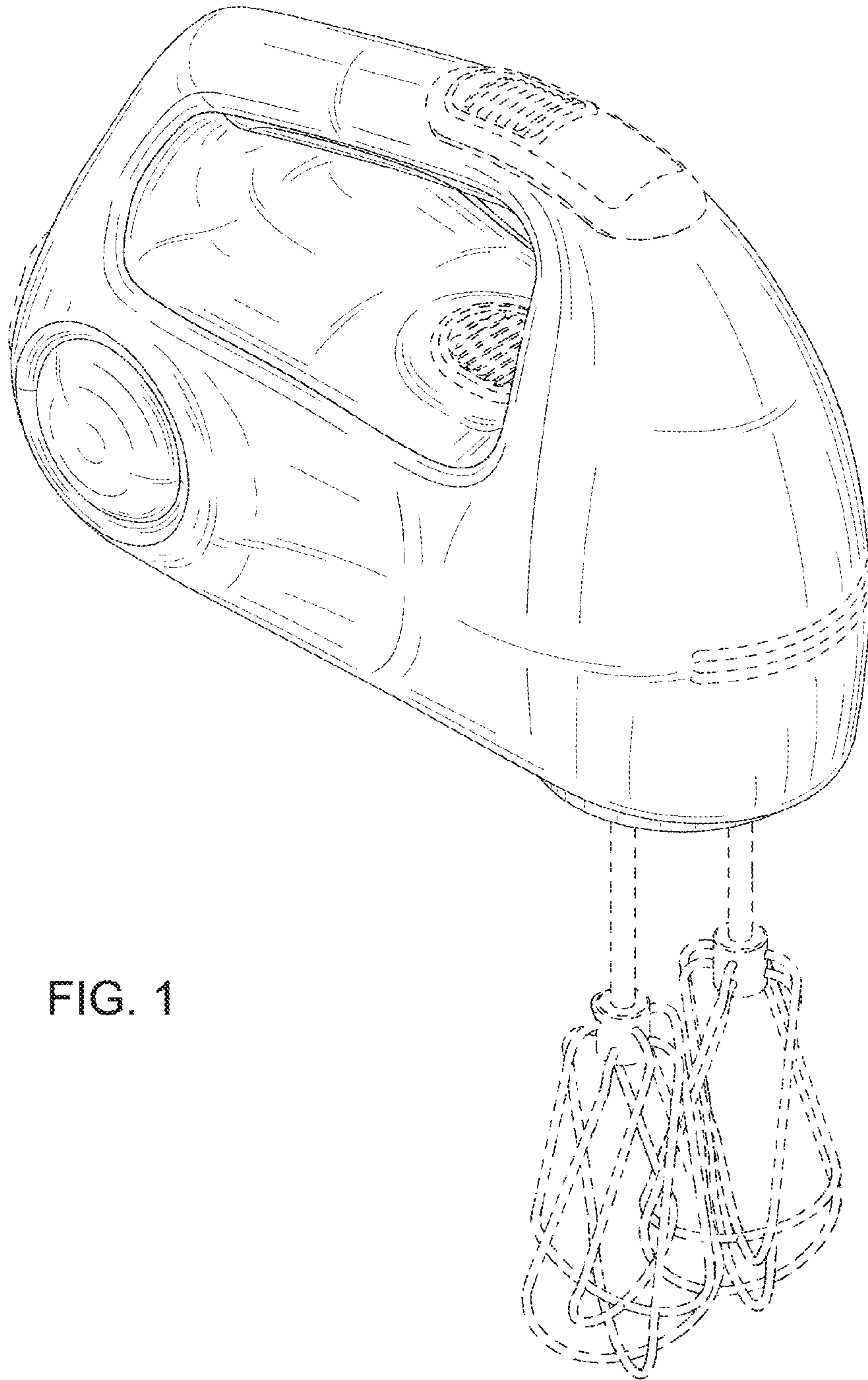


FIG. 1

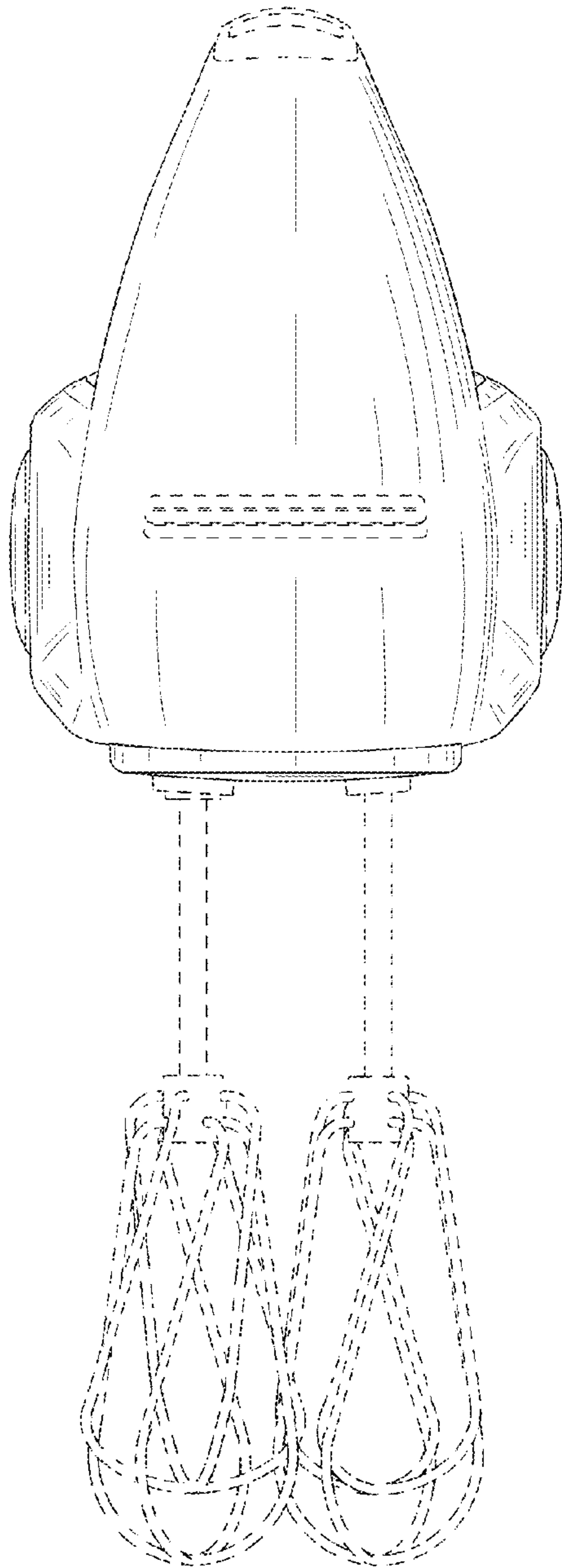


FIG. 2

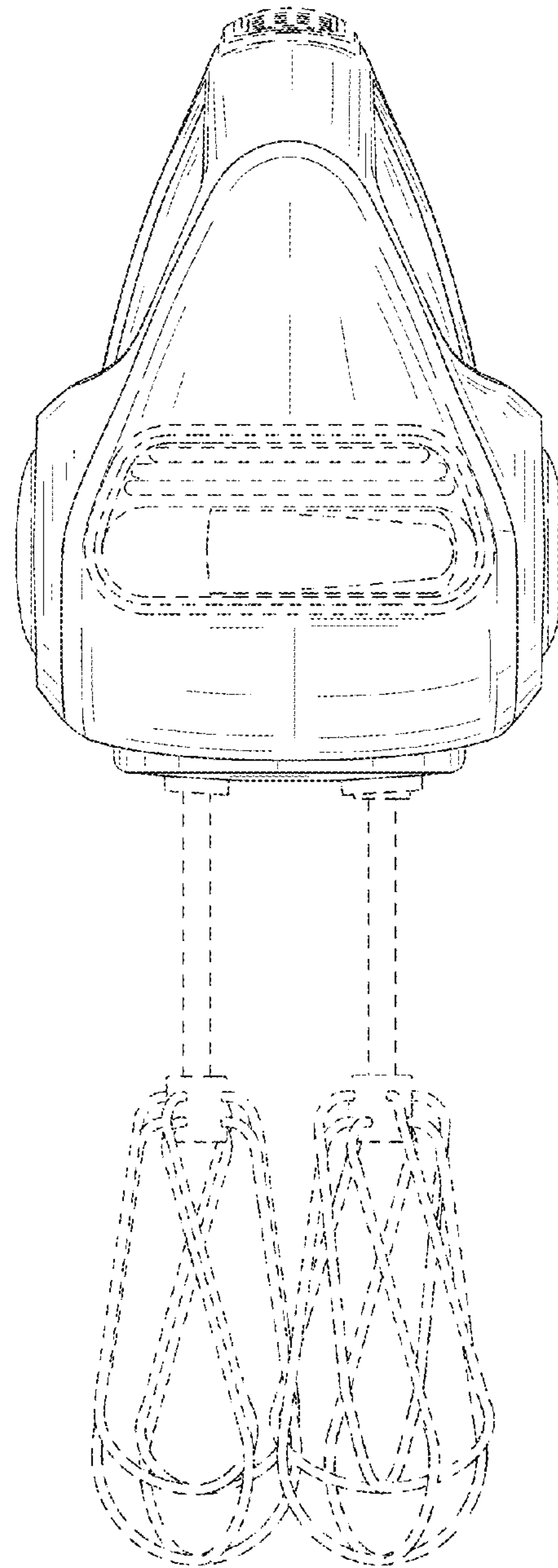


FIG. 3

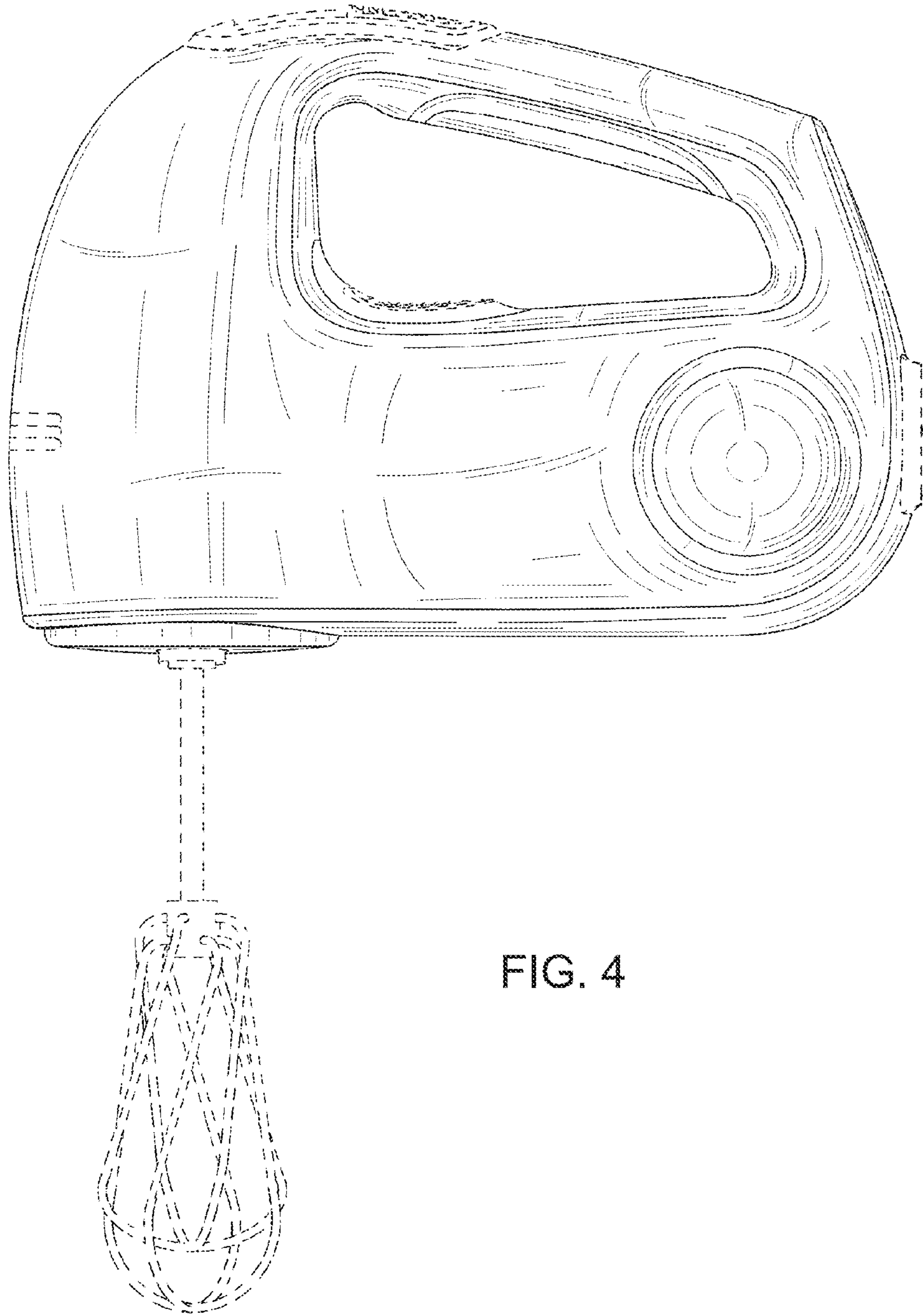


FIG. 4

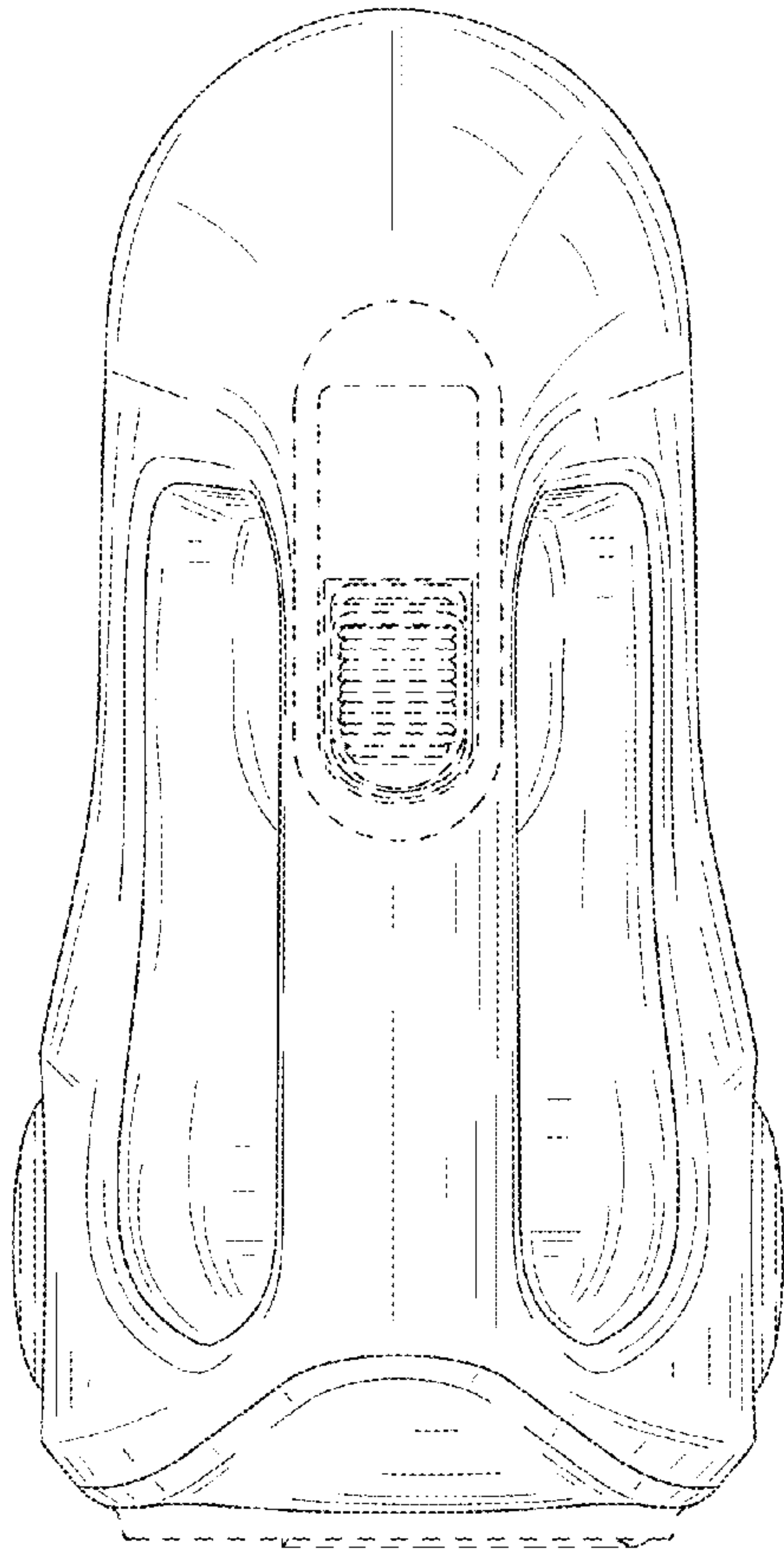


FIG. 5

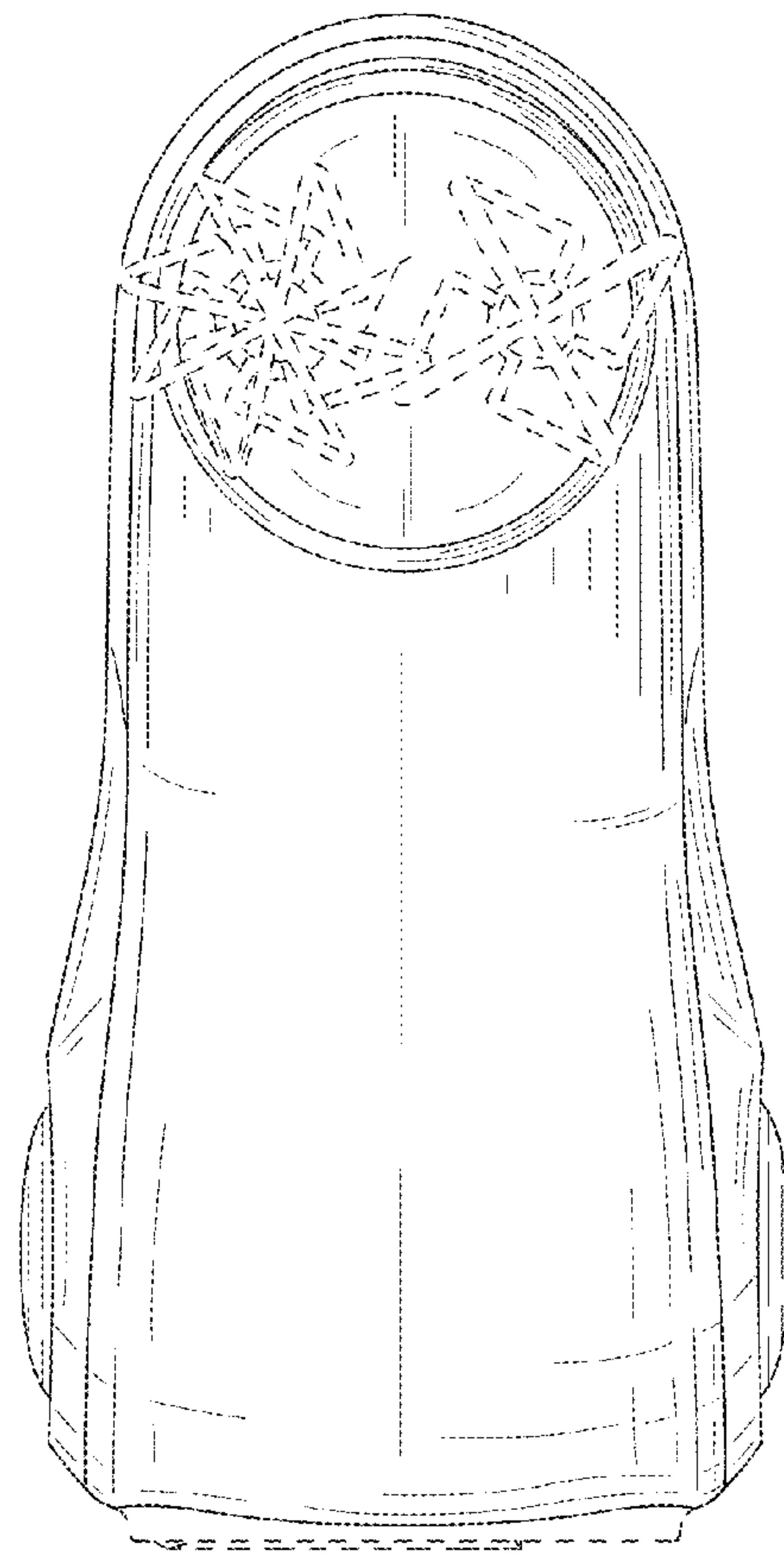


FIG. 6