



US00D703479S

(12) **United States Design Patent**  
**Norland et al.**

(10) **Patent No.:** **US D703,479 S**  
(45) **Date of Patent:** **\*\* Apr. 29, 2014**

(54) **MILK FROTHER**

(71) Applicant: **Whirlpool Corporation**, Benton Harbor, MI (US)

(72) Inventors: **Leif A. Norland**, Saint Joseph, MI (US);  
**Ben C. Shao**, Stevensville, MI (US)

(73) Assignee: **Whilpool Corporation**, Benton Harbor, MI (US)

(\*\*) Term: **14 Years**

(21) Appl. No.: **29/447,365**

(22) Filed: **Mar. 1, 2013**

(51) **LOC (10) Cl.** ..... **31-00**

(52) **U.S. Cl.**  
USPC ..... **D7/377; D7/376; D7/378**

(58) **Field of Classification Search**  
USPC ..... D7/301–313, 316–326, 354–357, 368,  
D7/372–386, 391–398, 402, 412–415, 503,  
D7/515, 543, 584–587, 605–607, 665–666,  
D7/679, 691–693; 99/280, 326, 348, 492,  
99/508–512; 222/183; 241/30–37.5, 82.1,  
241/92, 98, 101.01–101.2, 166–169.1, 172,  
241/272, 282.2, 285.1–285.3, 291, 292.1;  
366/64–67, 98, 129, 142–144, 169.1,  
366/192–211, 241–254, 262, 279–292, 314,  
366/325.8, 325.92, 341–347; 416/75–77,  
416/70 R, 163

See application file for complete search history.

(56) **References Cited**

**U.S. PATENT DOCUMENTS**

3,844,450 A \* 10/1974 Johnson ..... 222/183  
D251,765 S \* 5/1979 Okazaki ..... D7/321  
D316,206 S \* 4/1991 Daenen et al. .... D7/317

D339,023 S \* 9/1993 De Coster ..... D7/318  
D356,004 S \* 3/1995 VanValkenburg et al. .... D7/317  
D367,580 S \* 3/1996 Joergensen ..... D7/318  
D448,235 S \* 9/2001 Jørgensen ..... D7/319  
D498,638 S \* 11/2004 Morrison ..... D7/319  
D527,940 S \* 9/2006 Cohen ..... D7/318  
D584,559 S \* 1/2009 Bodum ..... D7/319  
D586,172 S \* 2/2009 Brizio ..... D7/319  
D595,534 S \* 7/2009 Mankowitz ..... D7/317  
D596,904 S \* 7/2009 Nakatani ..... D7/605  
D603,209 S \* 11/2009 Bodum ..... D7/319  
D607,685 S \* 1/2010 Elissen ..... D7/318  
D607,686 S \* 1/2010 Elissen ..... D7/319  
D613,988 S \* 4/2010 Lane et al. .... D7/317  
D622,090 S \* 8/2010 Bodum ..... D7/317  
D630,463 S \* 1/2011 Picozza et al. .... D7/318  
D645,300 S \* 9/2011 Collinson ..... D7/376  
D646,520 S \* 10/2011 Collinson ..... D7/376

(Continued)

*Primary Examiner* — Ricky Pham

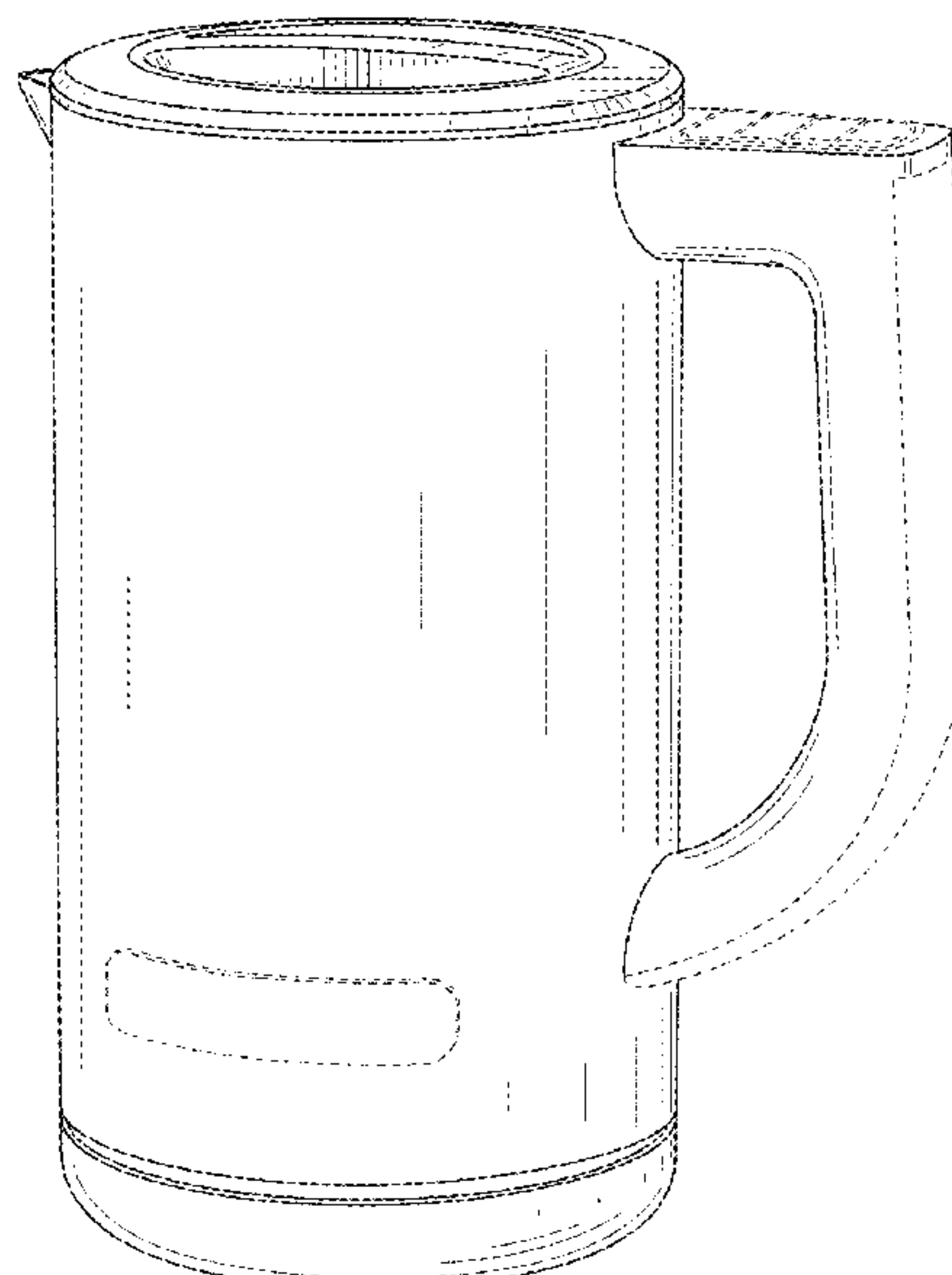
(57) **CLAIM**

We claim the ornamental design for a milk frother, as shown and described.

**DESCRIPTION**

FIG. 1 is a top perspective view of a milk frother;  
FIG. 2 is a first side elevational view of the milk frother of FIG. 1;  
FIG. 3 is a second side elevational view of the milk frother of FIG. 1;  
FIG. 4 is a third side elevational view of the milk frother of FIG. 1;  
FIG. 5 is a fourth side elevational view of the milk frother of FIG. 1;  
FIG. 6 is a top plan view of the milk frother of FIG. 1; and,  
FIG. 7 is a bottom plan view of the milk frother of FIG. 1.  
The broken lines shown in the drawings are for illustrative purposes only and form no part of the claimed design.

**1 Claim, 6 Drawing Sheets**



(56)

**References Cited**

U.S. PATENT DOCUMENTS

D646,522 S	*	10/2011	Collinson	.....	D7/376	
D663,155 S	*	7/2012	Bodum	.....	D7/319	* cited by examiner
D668,905 S	*	10/2012	Lane et al.	.....	D7/318	
D680,792 S	*	4/2013	Bodum	.....	D7/319	
D683,996 S	*	6/2013	Sworder	.....	D7/317	

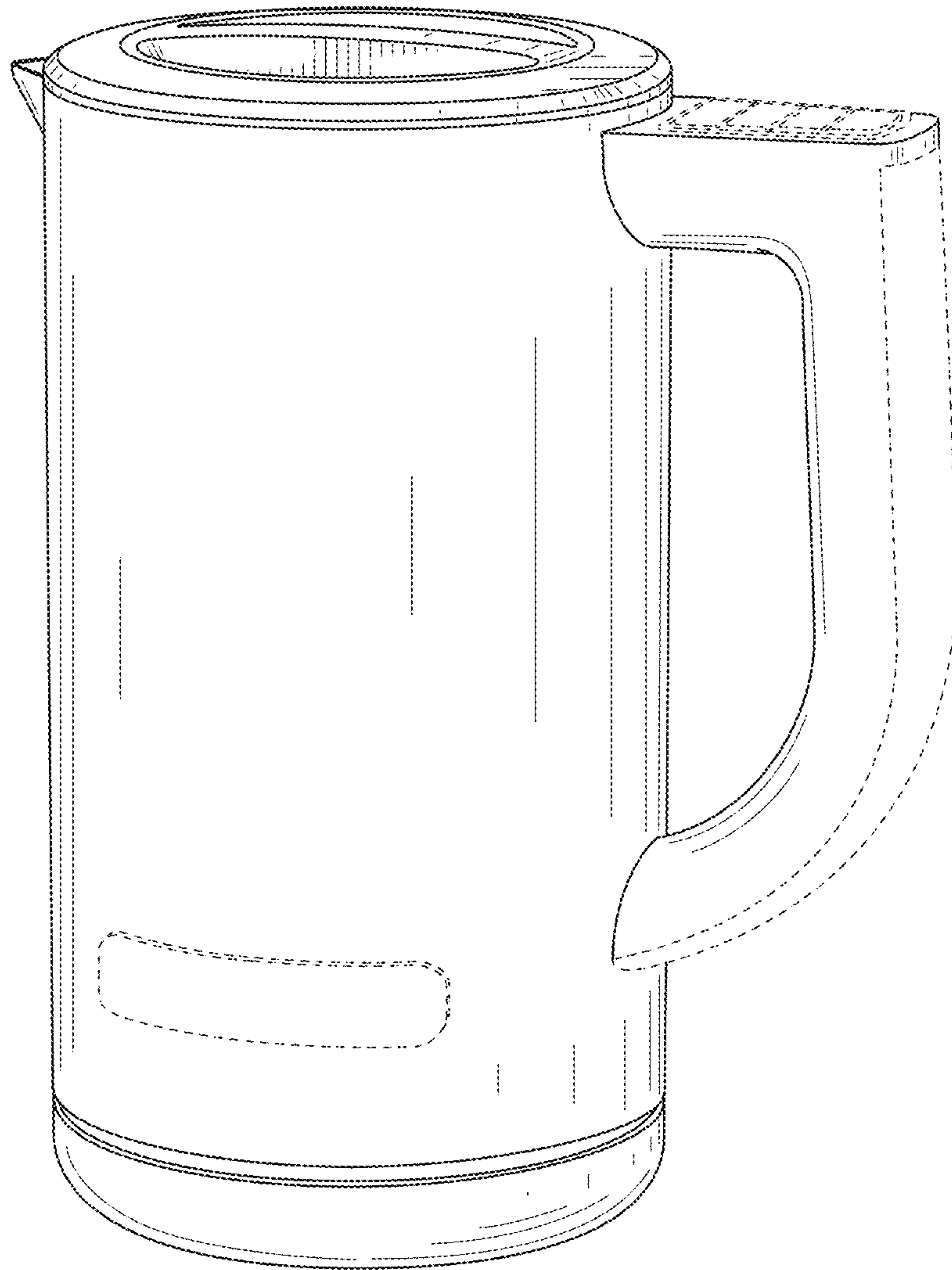


FIG. 1

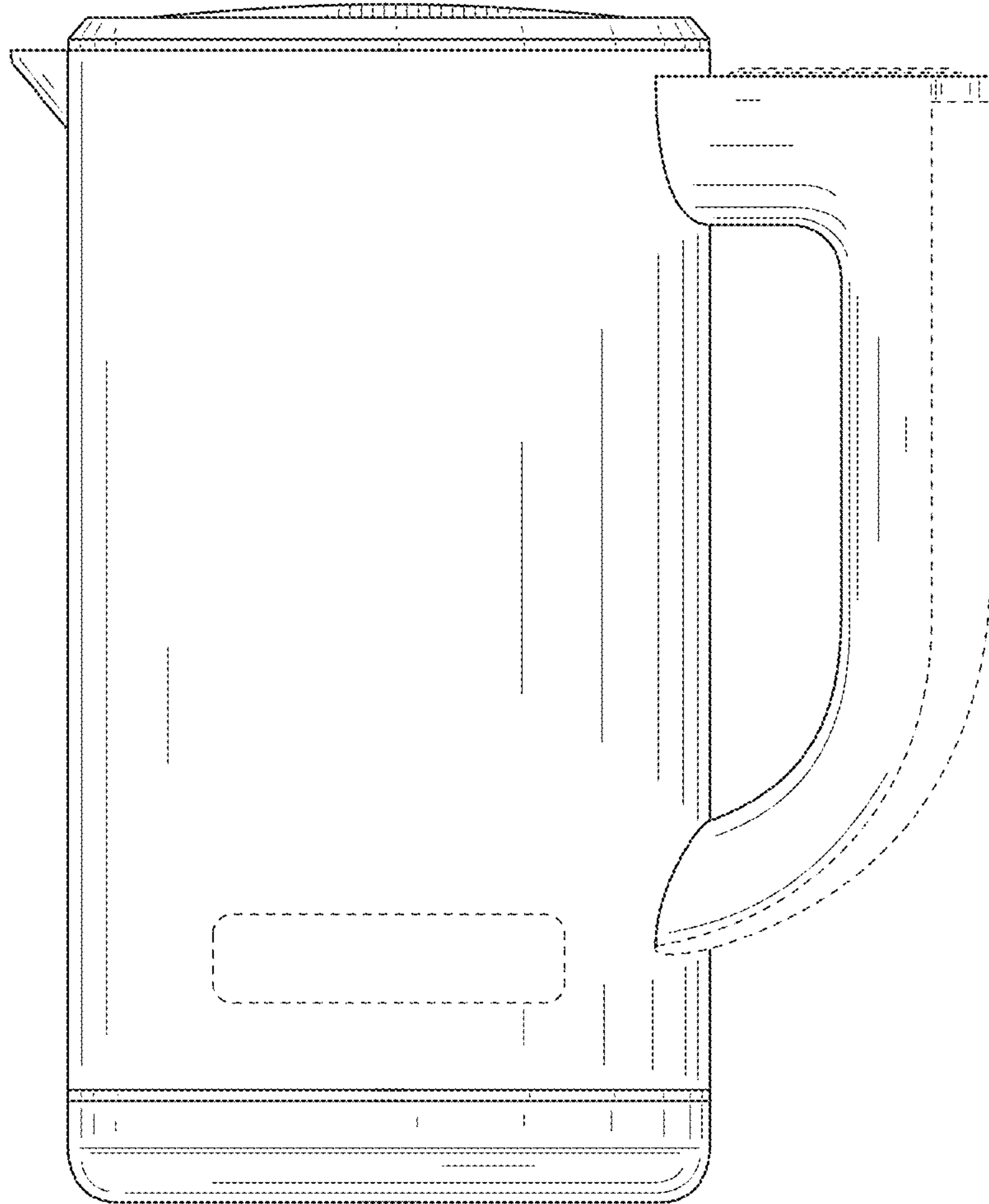


FIG. 2

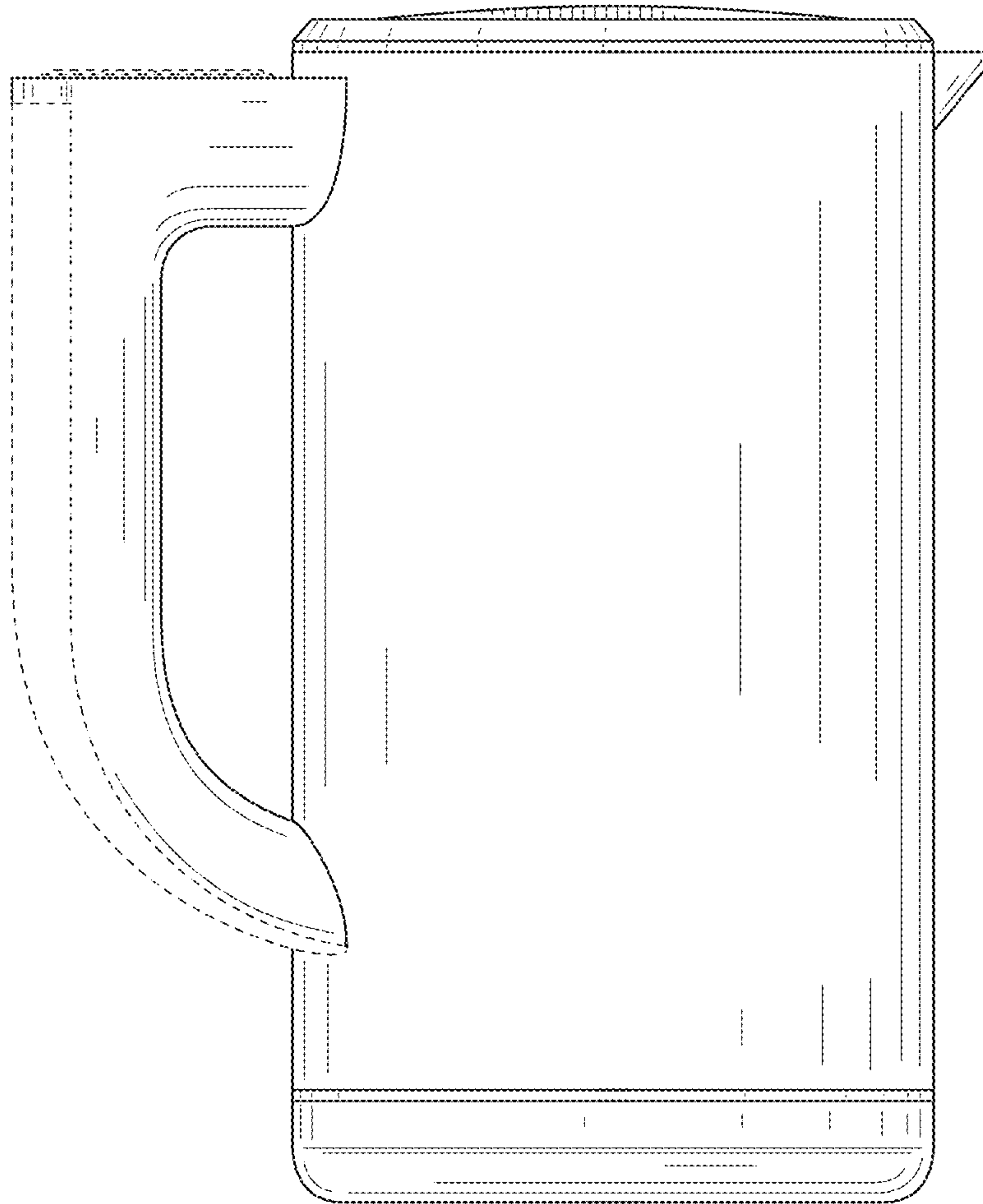


FIG. 3

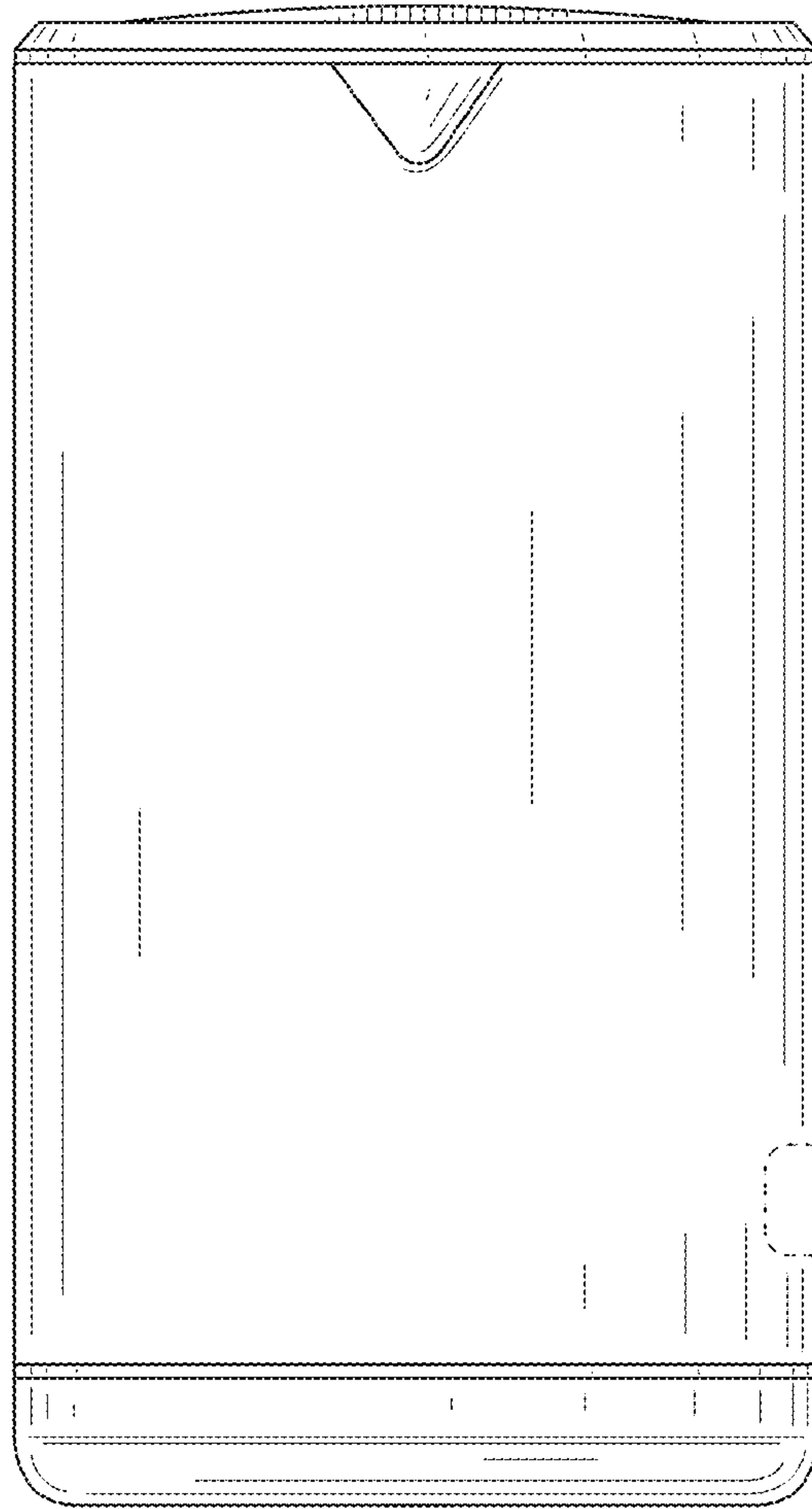


FIG. 4

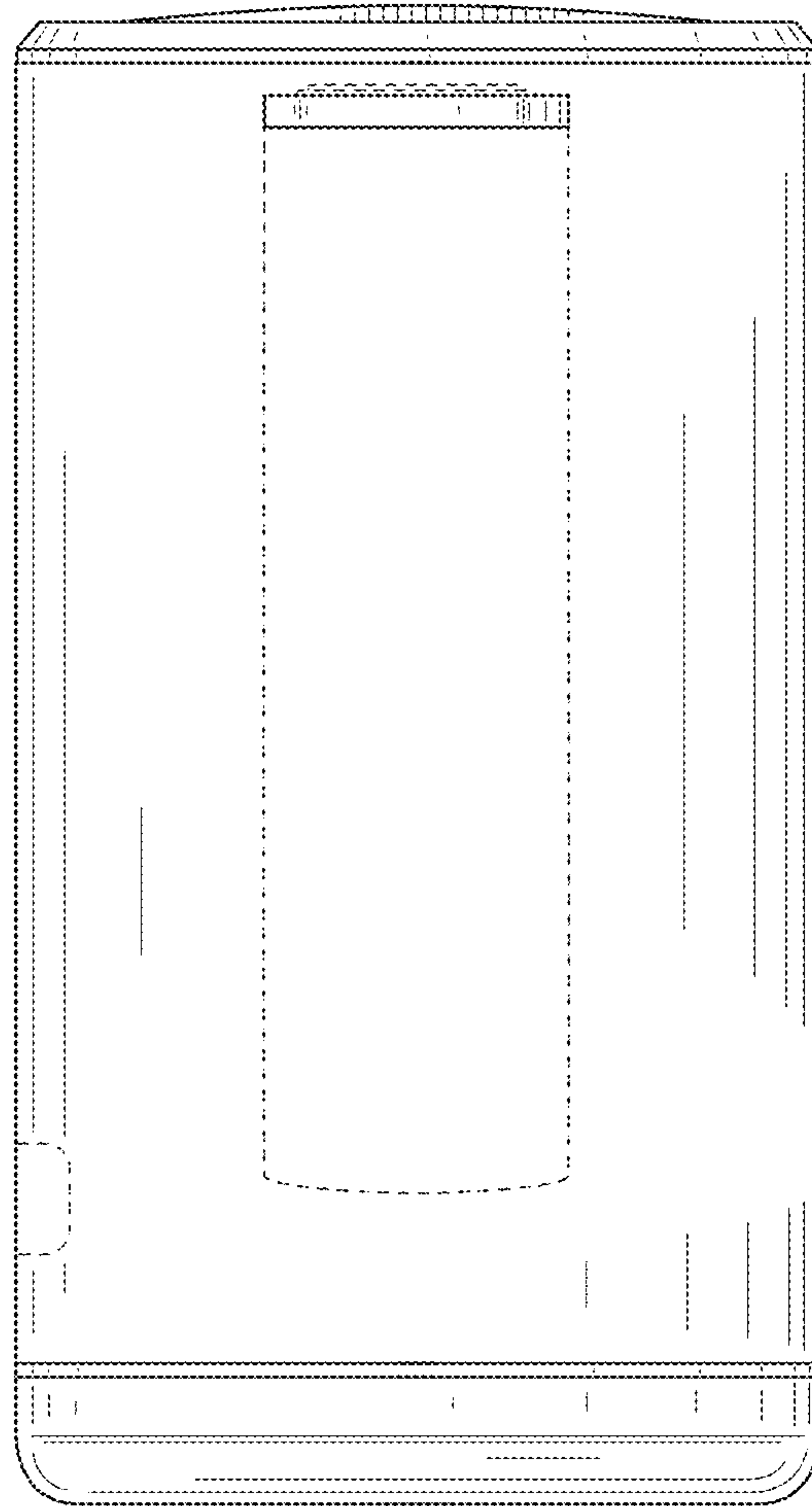


FIG. 5



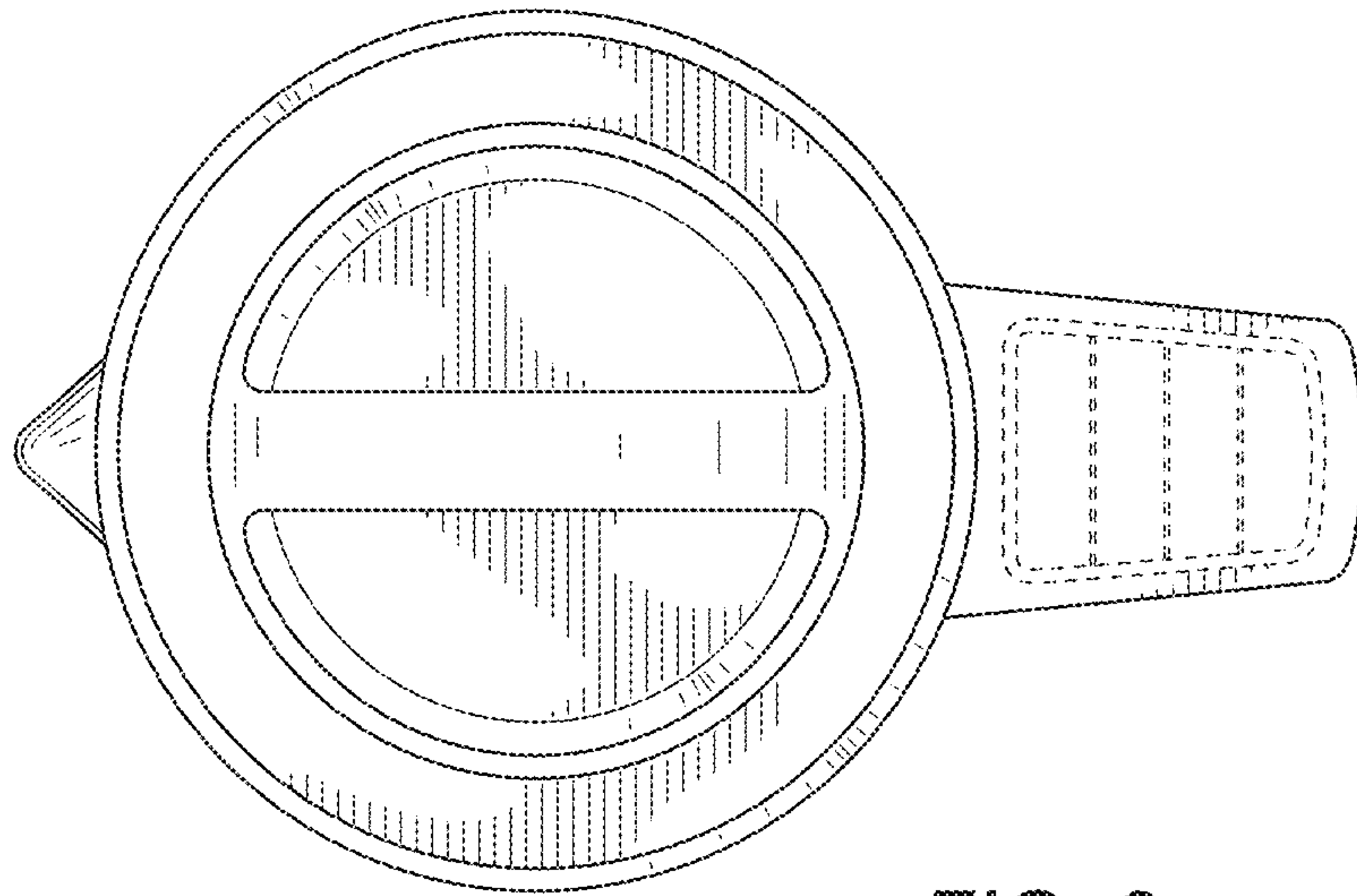


FIG. 6

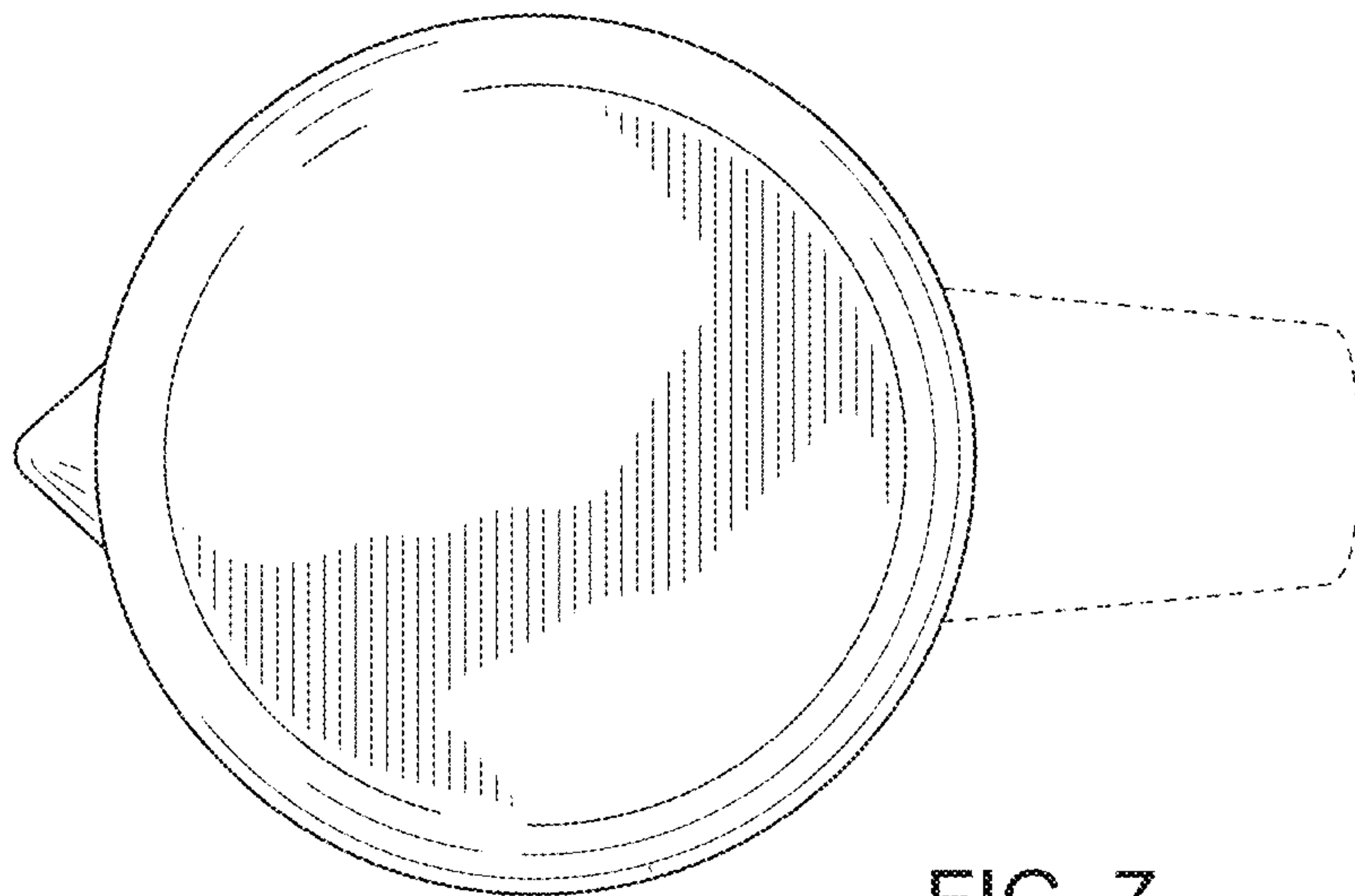


FIG. 7