



US00D703477S

(12) **United States Design Patent**  
**Celli et al.**

(10) **Patent No.:** **US D703,477 S**  
(45) **Date of Patent:** **\*\* Apr. 29, 2014**

(54) **LIQUID DISPENSING APPARATUS**

(71) Applicant: **SodaStream Industries Ltd.**, Air Port  
City (IL)

(72) Inventors: **Marco Celli**, Rimini (IT); **Stefano**  
**Giovannoni**, Milan (IT)

(73) Assignee: **Soda Stream Industries Ltd**, Air Port  
City (IL)

(\*\*) Term: **14 Years**

(21) Appl. No.: **29/434,268**

(22) Filed: **Oct. 11, 2012**

(51) **LOC (10) Cl.** ..... **07-01**

(52) **U.S. Cl.**  
USPC ..... **D7/306; D7/311**

(58) **Field of Classification Search**  
USPC ..... D7/306-311, 300, 305; 99/282, 279,  
99/280, 300, 305; 222/146.5, 129.1  
See application file for complete search history.

(56) **References Cited**

**U.S. PATENT DOCUMENTS**

D139,232 S \* 10/1944 Timmis ..... D7/308  
D389,694 S \* 1/1998 Vinson ..... D7/308  
D565,886 S \* 4/2008 Bardazzi et al. .... D7/309  
D618,950 S \* 7/2010 Jaffe et al. .... D7/306

D649,392 S \* 11/2011 Cahen ..... D7/307  
D652,669 S \* 1/2012 Bardazzi et al. .... D7/309  
D674,233 S \* 1/2013 Lavy et al. .... D7/309  
D678,710 S \* 3/2013 Xie ..... D7/309  
D683,174 S \* 5/2013 Regamey ..... D7/306  
D687,664 S \* 8/2013 Beghelli ..... D7/306

\* cited by examiner

*Primary Examiner* — Marianne Pandozzi

(74) *Attorney, Agent, or Firm* — Pearl Cohen Zedek Latzer  
Baratz LLP

(57) **CLAIM**

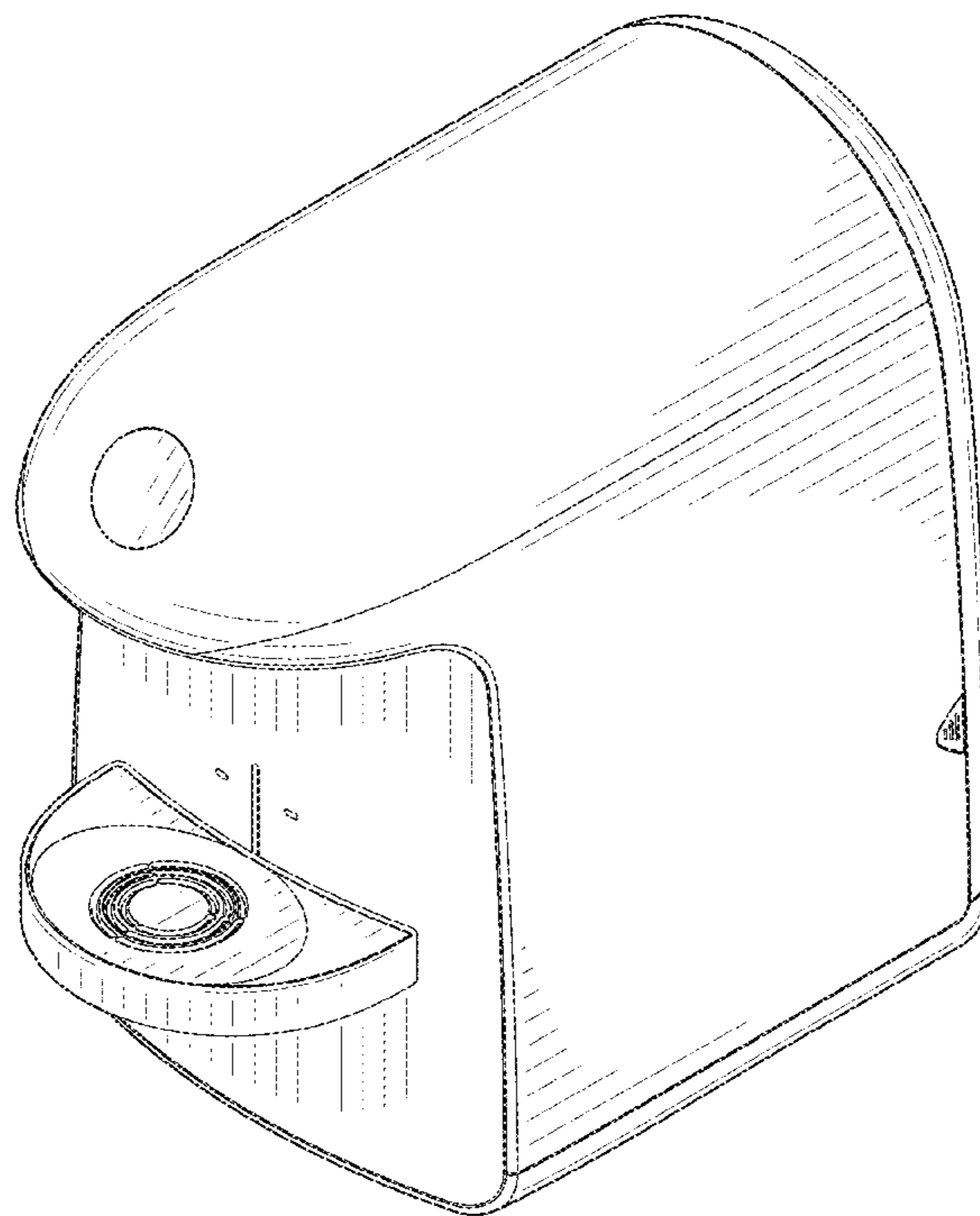
The ornamental design for a liquid dispensing apparatus, as  
shown and described.

**DESCRIPTION**

FIG. 1 is a top, front, right side, perspective view of the liquid  
dispensing apparatus;  
FIG. 2 is a front elevational view thereof;  
FIG. 3 is a right side elevational view thereof;  
FIG. 4 is a top plan view thereof;  
FIG. 5 is a left side elevational view thereof;  
FIG. 6 is a back elevational view thereof; and,  
FIG. 7 is a bottom plan view thereof.

The portions shown in broken line form no part of the claims  
subject matter.

**1 Claim, 7 Drawing Sheets**



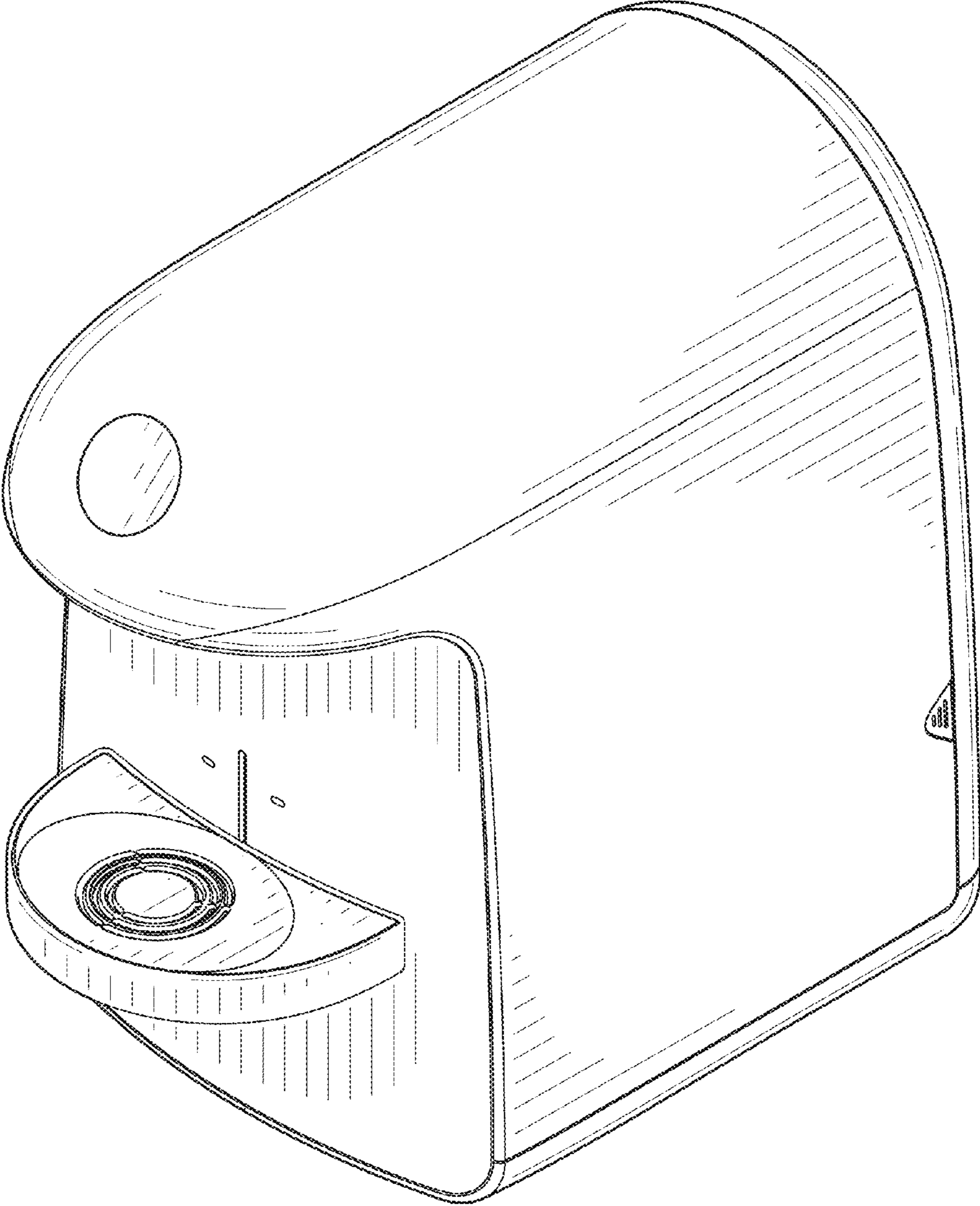


FIG.1

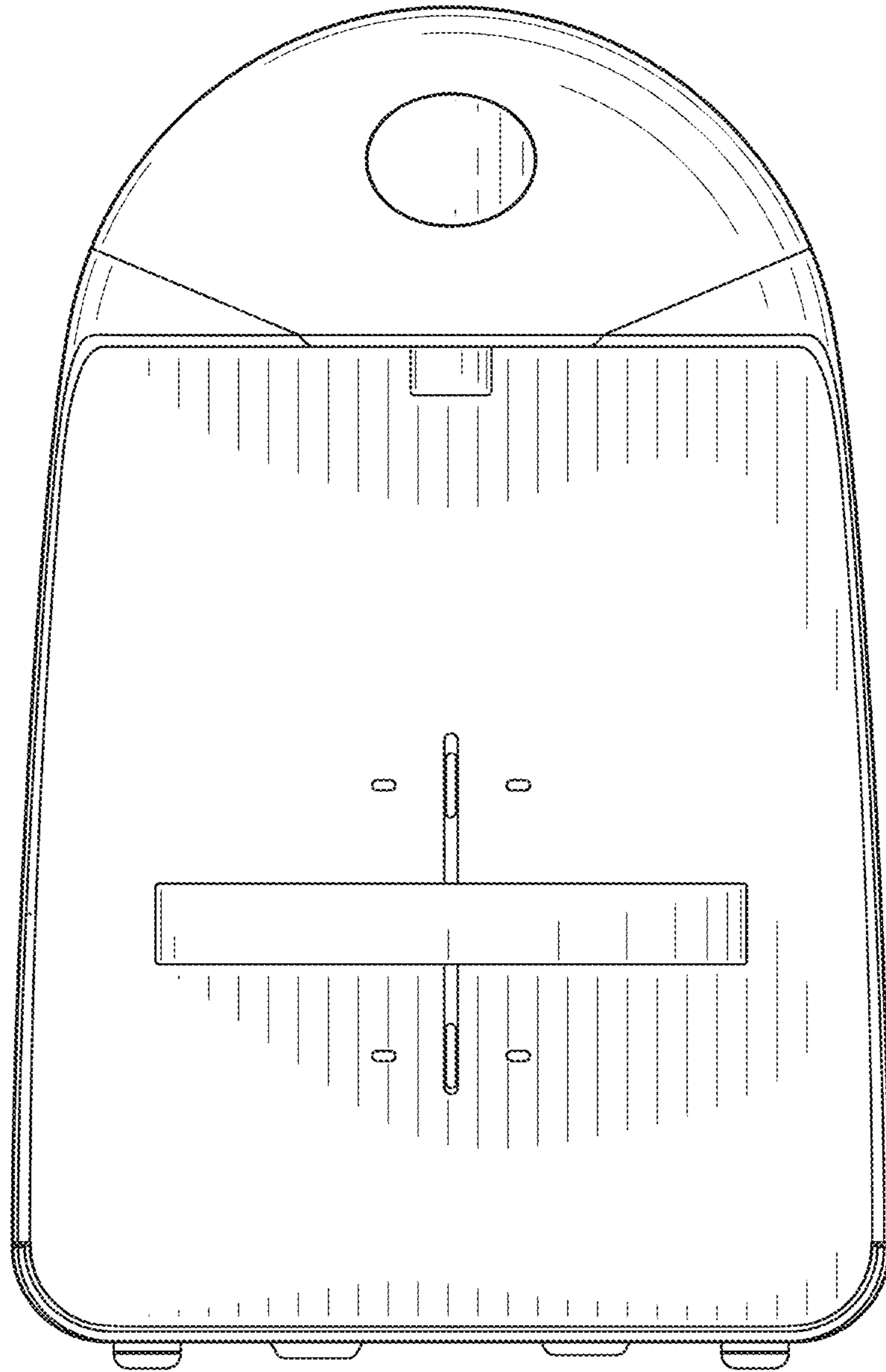


FIG. 2

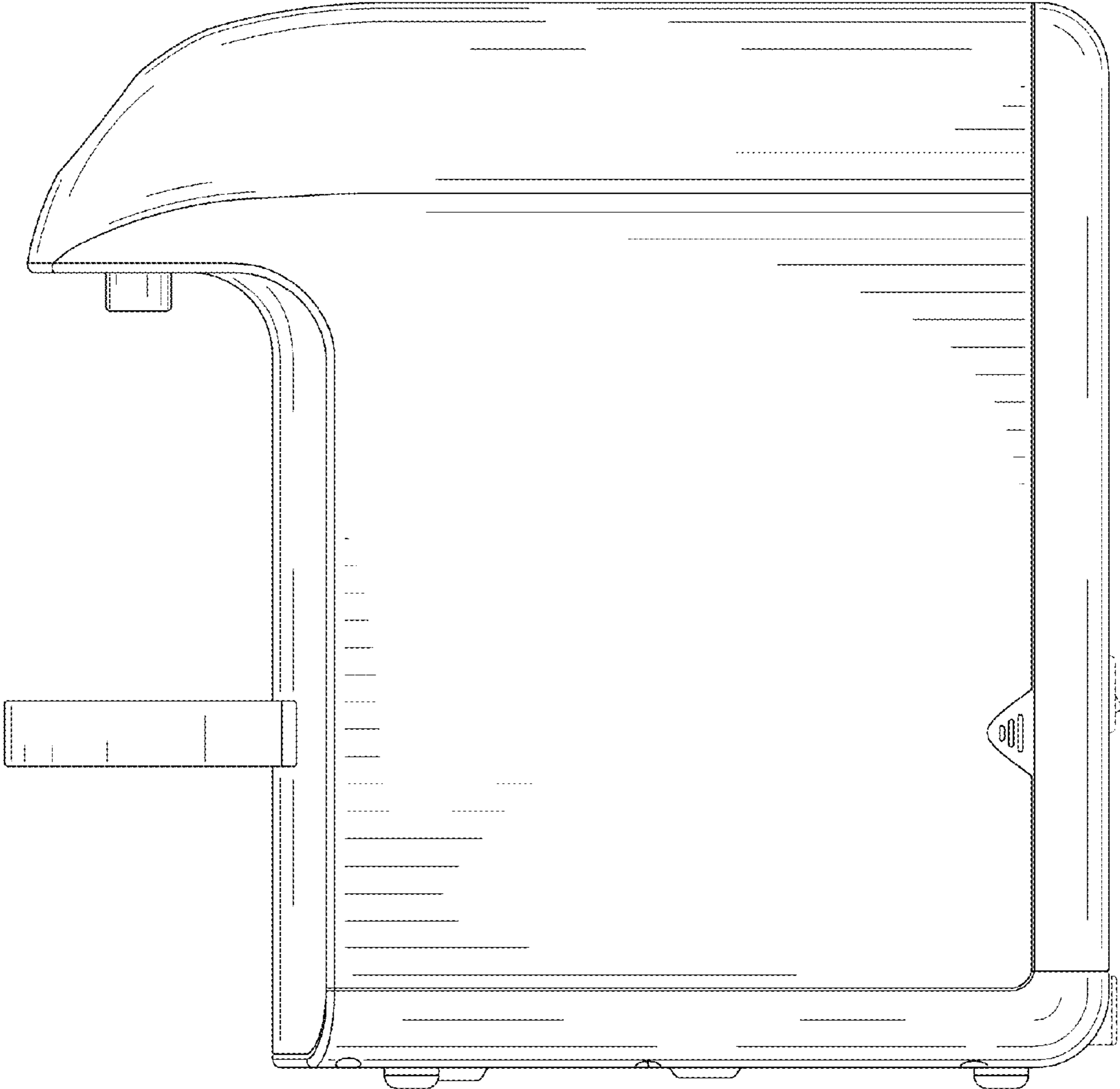


FIG.3

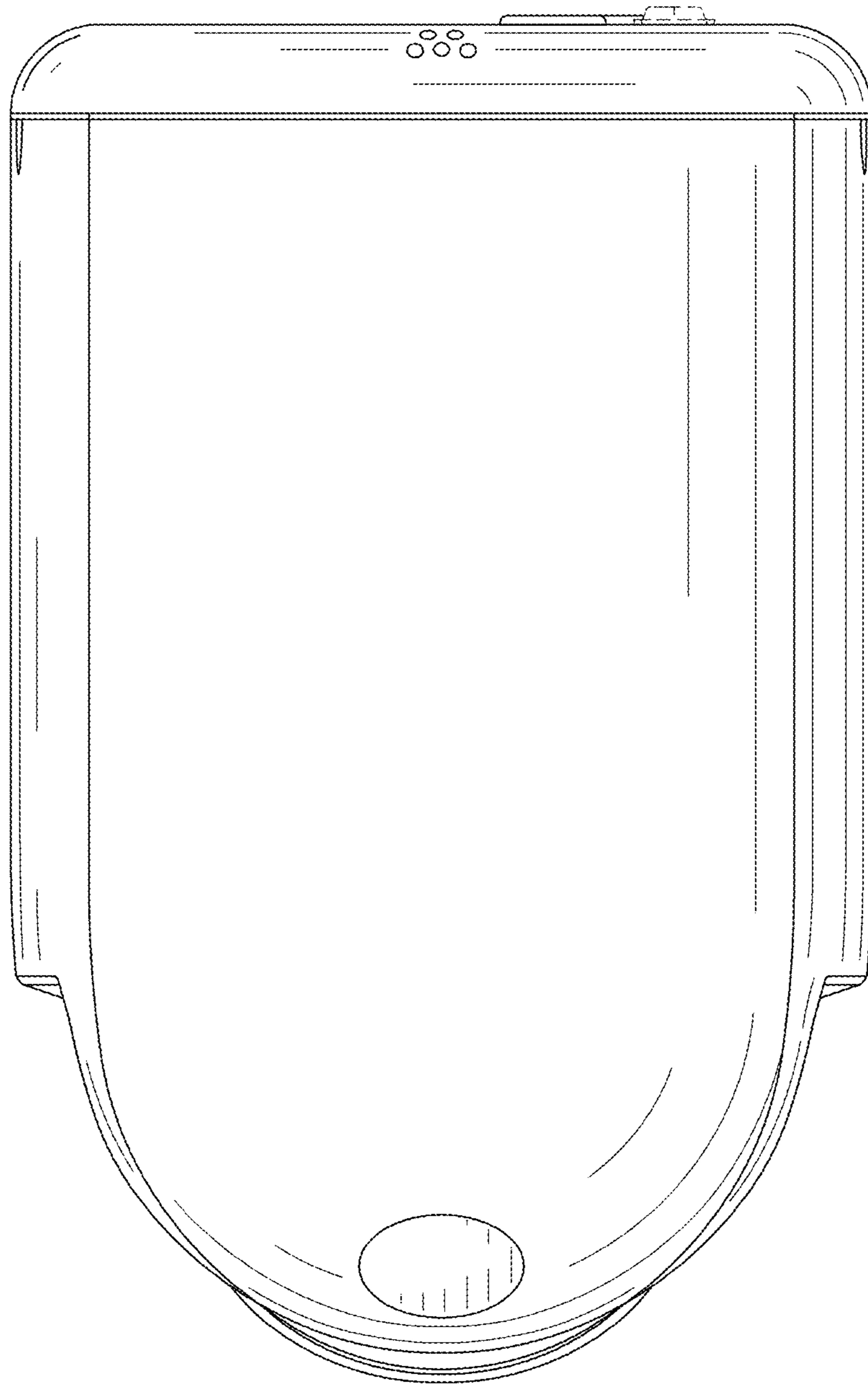


FIG.4



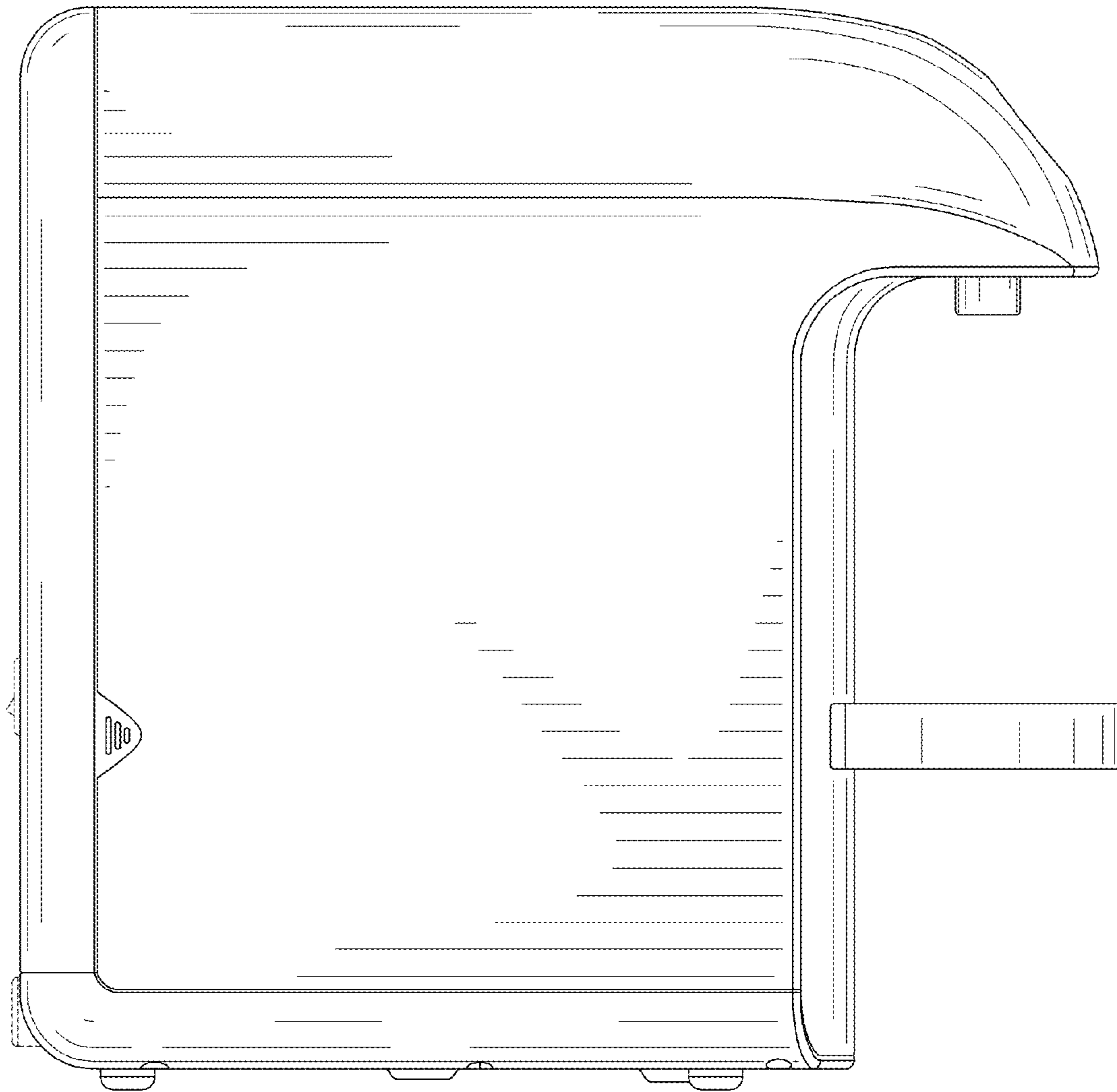


FIG. 5

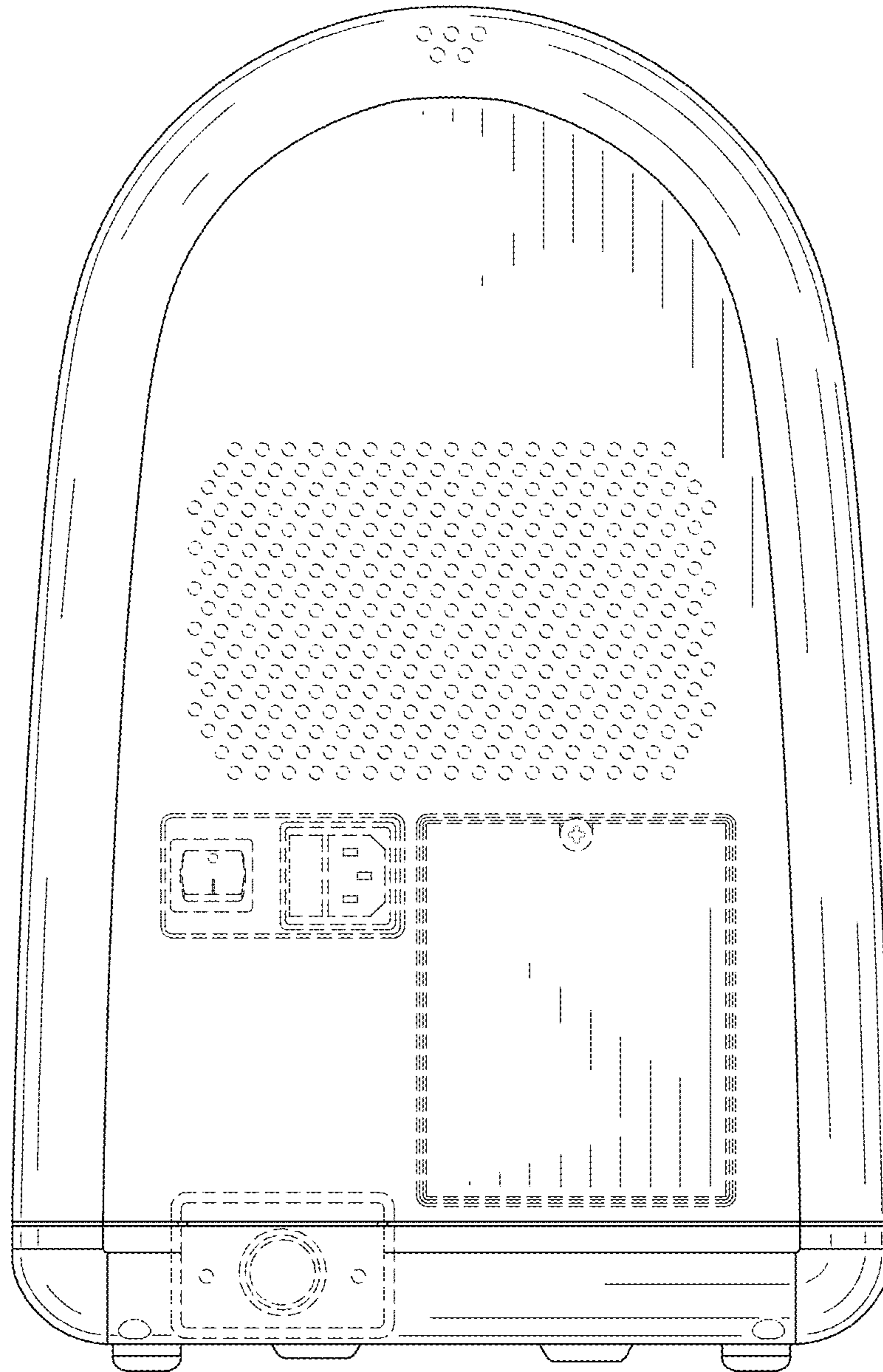


FIG. 6

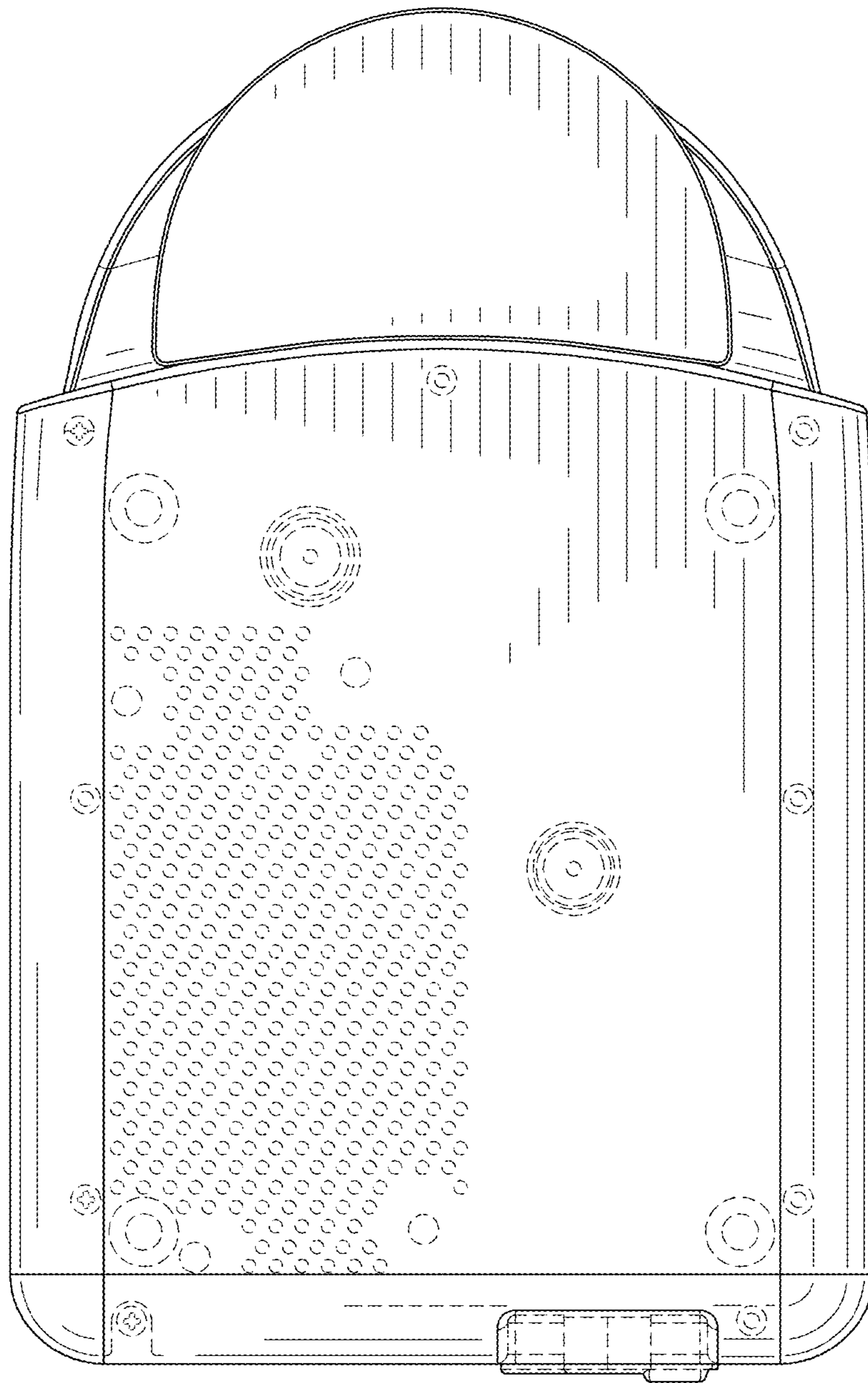


FIG. 7