



US00D703474S

(12) **United States Design Patent**
Bradley

(10) **Patent No.:** **US D703,474 S**
(45) **Date of Patent:** **** Apr. 29, 2014**

- (54) **SEAT POST HAVING A NON-UNIFORM CROSS-SECTION**
- (75) Inventor: **James David Bradley**, Mound, MN (US)
- (73) Assignee: **Sico Incorporated**, Edina, MN (US)
- (**) Term: **14 Years**
- (21) Appl. No.: **29/397,561**
- (22) Filed: **Jul. 18, 2011**
- (51) **LOC (10) Cl.** **06-01**
- (52) **U.S. Cl.**
USPC **D6/708.17**
- (58) **Field of Classification Search**
USPC D6/335-338, 357, 369, 491, 499-502, D6/708, 708.16, 708.17, 708.2, 708.21, D6/712, 716; 297/135, 157.1, 158.2, 297/158.3, 158.5, 174 R, 245
See application file for complete search history.

4,601,246 A *	7/1986	Damico	108/146
4,632,410 A	12/1986	Bainbridge et al.		
4,757,968 A	7/1988	Kinanen et al.		
4,798,411 A	1/1989	Lin		
4,921,303 A	5/1990	White		
4,997,232 A	3/1991	Johnsen		
4,998,774 A	3/1991	Huff et al.		
5,112,103 A	5/1992	Downer		
5,181,681 A *	1/1993	Edwards	248/125.1
5,236,170 A	8/1993	Johnsen		
5,439,269 A	8/1995	Cheng		
D413,734 S	9/1999	Bue		
6,010,185 A	1/2000	Petersen		
6,065,802 A	5/2000	Bue		

(Continued)

FOREIGN PATENT DOCUMENTS

AU	5770094	9/1994
DE	7703245	5/1977

(Continued)

Primary Examiner — Sandra Snapp
(74) *Attorney, Agent, or Firm* — Merchant & Gould PC

(56) **References Cited**
U.S. PATENT DOCUMENTS

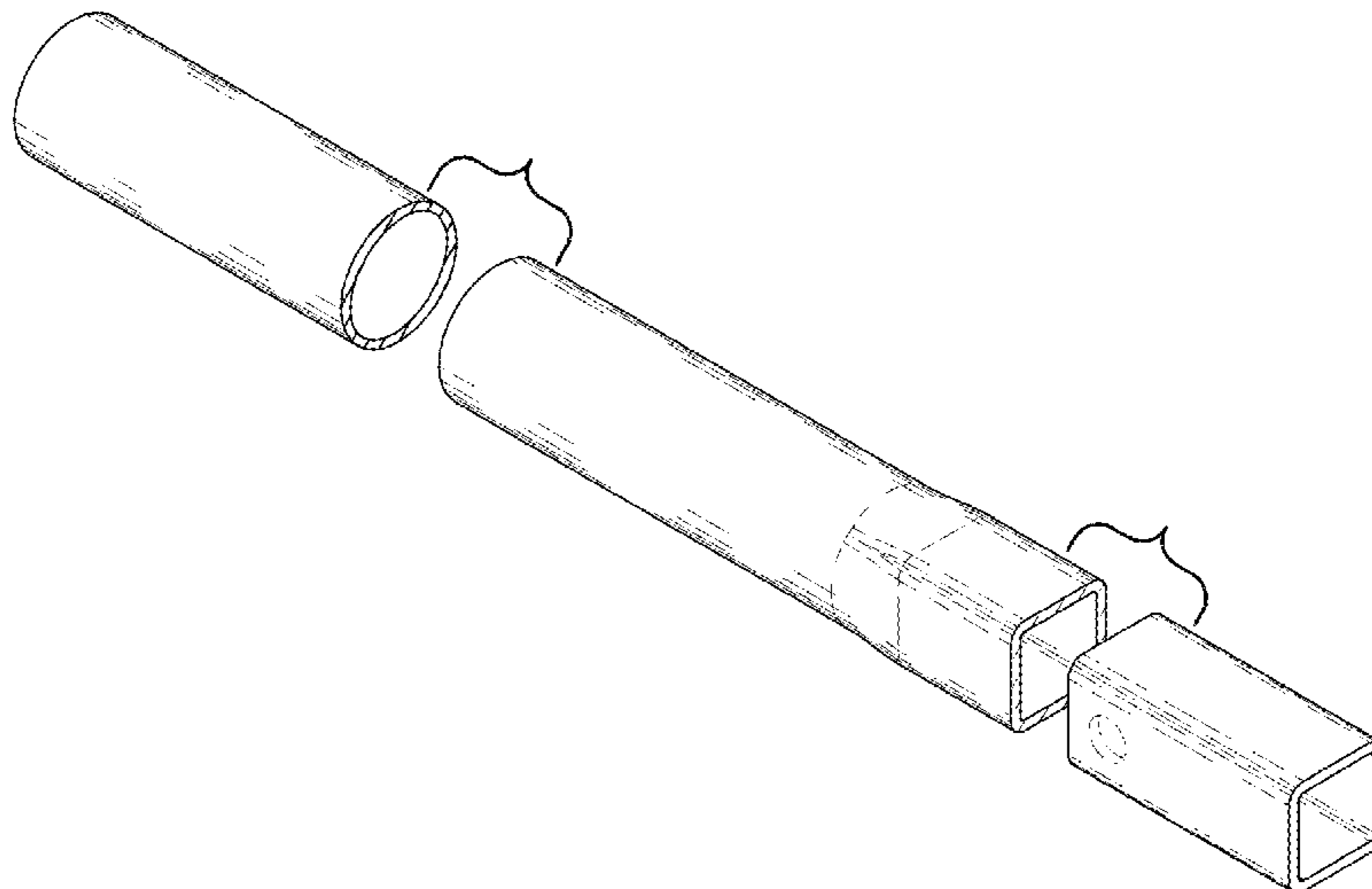
3,057,659 A	10/1962	Bargen et al.	
D194,038 S	11/1962	Preston	
D194,469 S *	1/1963	Goodman D6/337
3,075,809 A	1/1963	Wilson	
3,109,678 A	11/1963	Wilson	
3,230,909 A	1/1966	Watson	
3,230,910 A	1/1966	Olsson	
3,366,415 A	1/1968	Cooper	
D211,886 S	8/1968	Benjamin	
3,511,532 A	5/1970	Tringali et al.	
3,521,341 A	7/1970	Hornlein et al.	
3,715,143 A	2/1973	Gerken et al.	
3,770,319 A	11/1973	Ono	
4,208,072 A	6/1980	Iskendarian	
4,330,151 A *	5/1982	Healey 297/158.3
D266,037 S	9/1982	Heighberger	
D268,971 S	5/1983	Reineman	

(57) **CLAIM**
The ornamental design for a seat post having a non-uniform cross-section, as shown and described.

DESCRIPTION

FIG. 1 is a perspective view of a seat post having a non-uniform cross-section showing my new design; FIG. 2 is a front elevational view thereof; FIG. 3 is a right side elevational view thereof; FIG. 4 is a top plan view thereof; and, FIG. 5 is a reduced exploded view thereof with a frame, caster, seat, and retainer. The portions shown in broken lines form no part of the claimed design. The broken away bracketed portions of the seat post represent indefinite length.

1 Claim, 5 Drawing Sheets



(56)

References Cited

U.S. PATENT DOCUMENTS

6,074,005 A 6/2000 Simmons
 D427,442 S * 7/2000 Shieh D6/337
 6,186,591 B1 2/2001 Pajerski
 D439,060 S 3/2001 Larsen
 6,224,026 B1 * 5/2001 Dubois 248/118.3
 6,254,178 B1 7/2001 Bue
 D456,155 S 4/2002 DeVriendt
 6,386,628 B2 5/2002 Bue
 D478,732 S 8/2003 Pajerski et al.
 D479,406 S 9/2003 Pajerski et al.
 D479,773 S 9/2003 Pajerski et al.
 6,629,723 B1 * 10/2003 Trubee 297/158.3
 6,749,265 B1 6/2004 Wang
 7,226,393 B2 6/2007 Baker

7,234,780 B2 6/2007 Lipniarski
 D548,496 S * 8/2007 Samtani et al. D6/486
 7,393,049 B2 7/2008 Chase
 D595,969 S 7/2009 Hanusiak et al.
 7,758,113 B2 7/2010 Hanusiak et al.
 D621,172 S 8/2010 Rivera, Jr. et al.
 7,971,930 B2 7/2011 Larsen et al.
 D656,760 S * 4/2012 Fox D6/499
 2006/0232109 A1 10/2006 Olano
 2006/0238003 A1 10/2006 Larsen et al.

FOREIGN PATENT DOCUMENTS

DE 102006025088 3/2007
 FR 1025052 4/1953
 GB 2348124 9/2000

* cited by examiner

FIG. 1

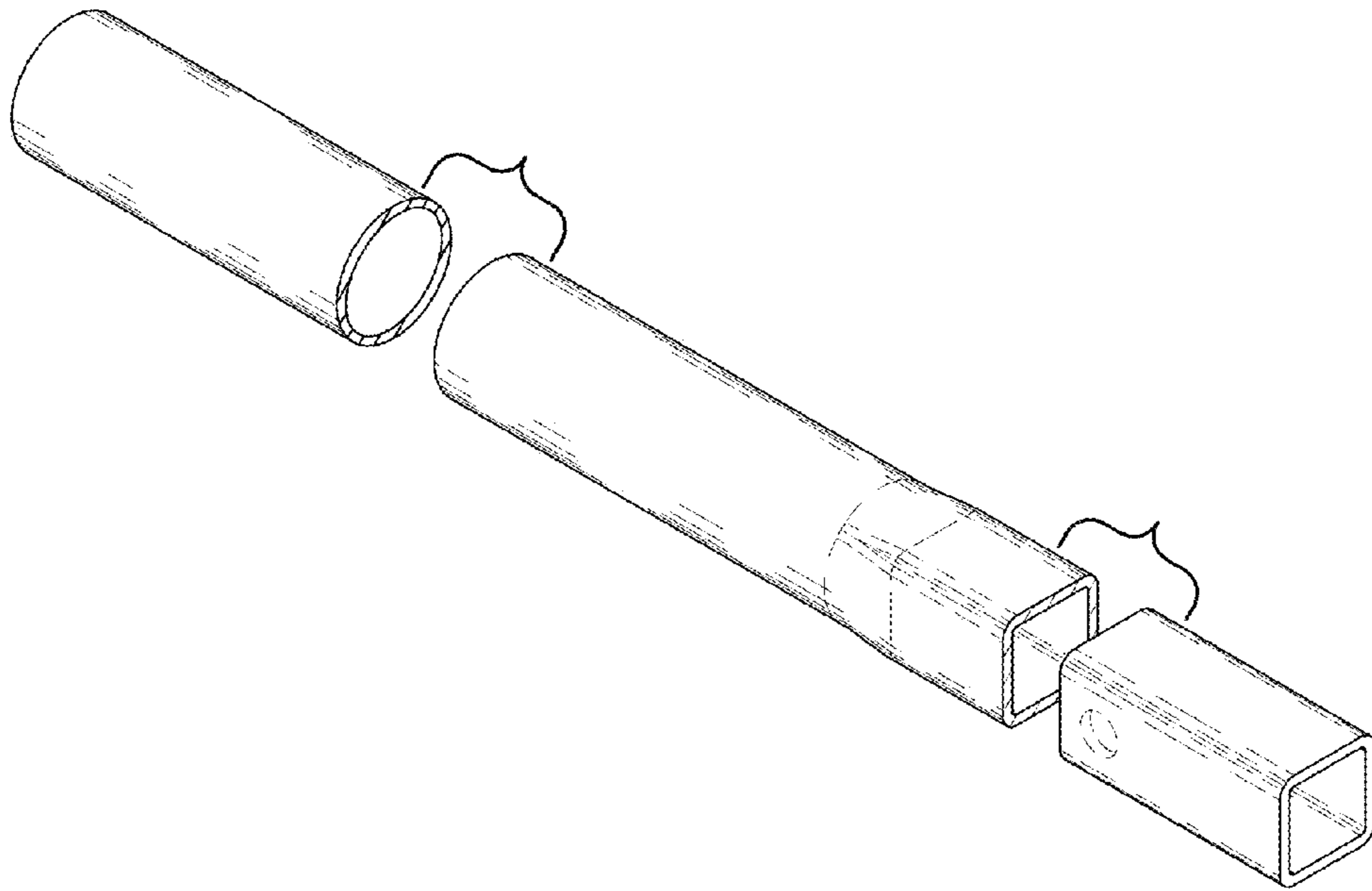
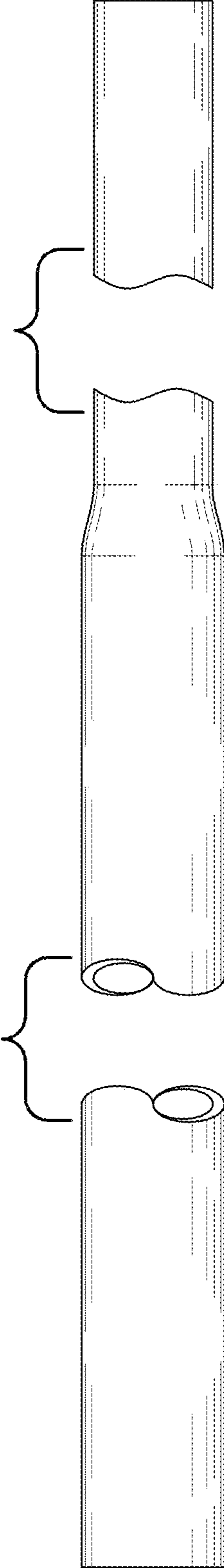


FIG. 2



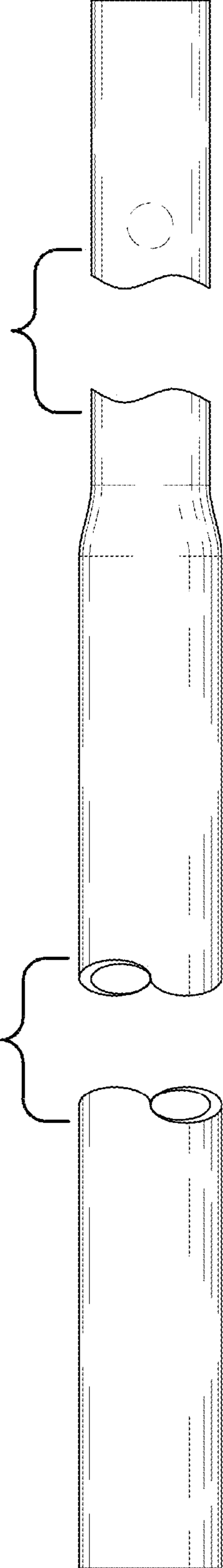
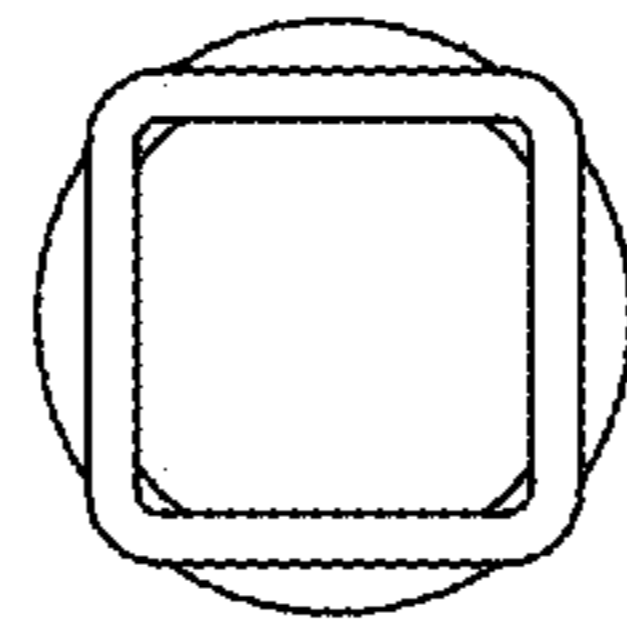


FIG. 3

FIG. 4



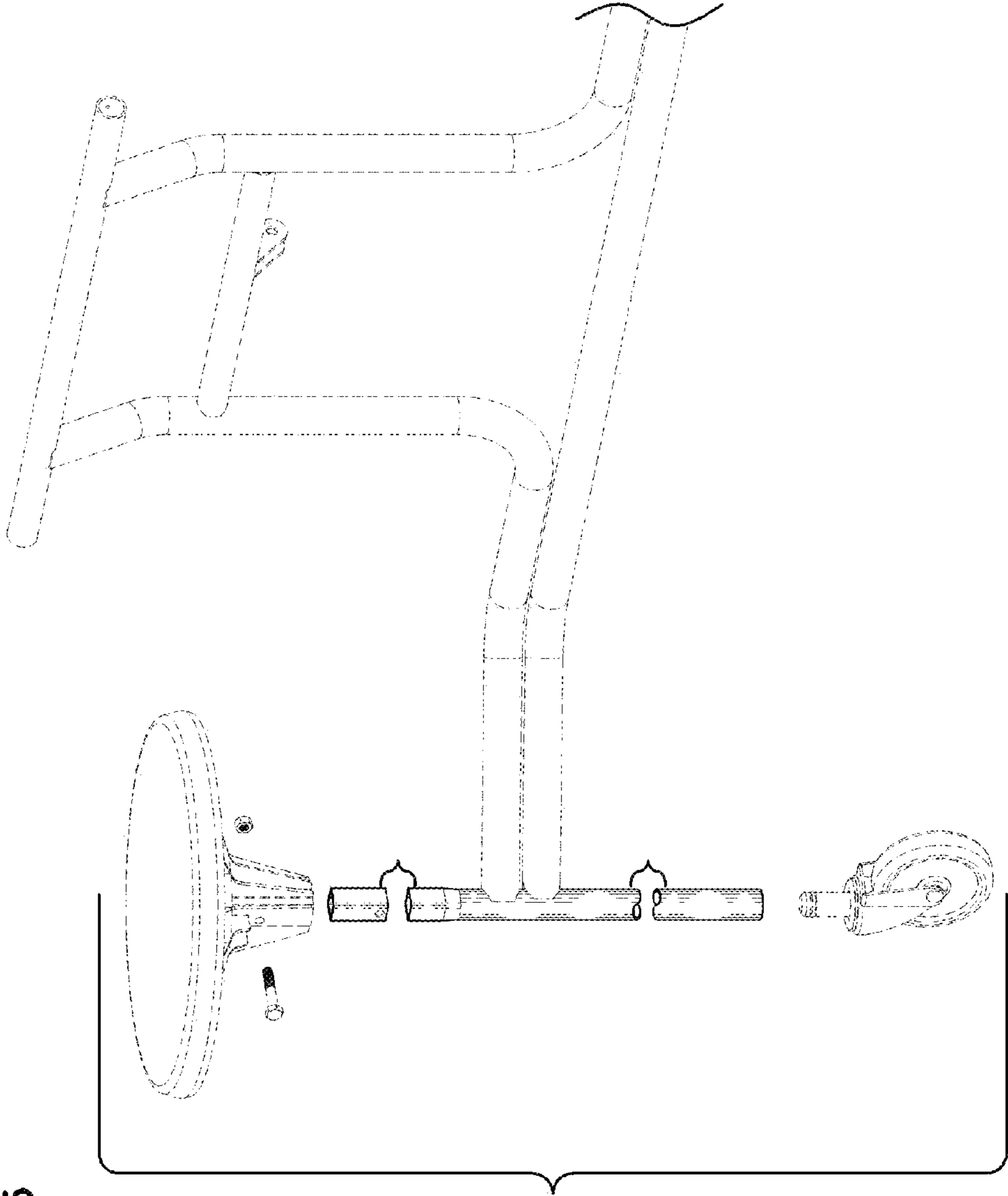


FIG. 5