



US00D703473S

(12) **United States Design Patent**  
**Polidoros**

(10) **Patent No.:** **US D703,473 S**

(45) **Date of Patent:** **\*\* \*Apr. 29, 2014**

(54) **TABLE BASE**

(71) Applicant: **IHS Global Design Pty. Ltd.**, Rowville (AU)

(72) Inventor: **Nicholas Polidoros**, Mitcham (AU)

(73) Assignee: **IHS Global Design Pty. Ltd.** (AU)

(\* ) Notice: This patent is subject to a terminal disclaimer.

(\*\*) Term: **14 Years**

(21) Appl. No.: **29/464,825**

(22) Filed: **Aug. 21, 2013**

**Related U.S. Application Data**

(63) Continuation of application No. 29/424,878, filed on Jun. 16, 2012, now Pat. No. Des. 693,613, which is a continuation of application No. 12/377,096, filed as application No. PCT/AU2007/000589 on May 4, 2007, now abandoned, application No. 29/464,825, which is a continuation of application No. 29/457,257, filed on Jun. 7, 2013, now Pat. No. Des. 692,708, which is a continuation of application No. 29/424,878, which is a continuation of application No. 12/377,096, filed as application No. PCT/AU2007/000589 on May 4, 2007, now abandoned, application No. 29/464,825, which is a continuation of application No. 29/461,203, filed on Jul. 19, 2013, now Pat. No. Des. 693,161, which is a continuation of application No. 29/424,878, which is a continuation of application No. 12/377,096, filed as application No. PCT/AU2007/000589 on May 4, 2007, now abandoned, application No. 29/464,825, which is a continuation of application No. 29/461,203, which is a continuation of application No. 29/457,257, which is a continuation of application No. 29/424,878, which is a continuation of application No. 12/377,096, filed as application No. PCT/AU2007/000589 on May 4, 2007, now abandoned.

(51) **LOC (10) Cl.** ..... **06-06**

(52) **U.S. Cl.**  
USPC ..... **D6/708**

(58) **Field of Classification Search**

USPC ..... D6/480-489, 495-499, 429-431, 708, D6/691, 691.6, 691.8; 108/153.1, 155, 108/156, 157.1, 161, 115, 157.16, 157.17, 108/157.18, 118, 119, 160; 248/188, 188.1, 248/188.7, 188.8

See application file for complete search history.

(56) **References Cited**

**U.S. PATENT DOCUMENTS**

587,219 A 7/1897 Maes  
D35,045 S 9/1901 Sticklely

(Continued)

**FOREIGN PATENT DOCUMENTS**

AU 2006203492 2/2008  
CN 3245051 7/2002

(Continued)

**OTHER PUBLICATIONS**

Bloomberry, Rosewood foldable tray table, 1stdibs.com, [http://www.1stdibs.com/furniture\\_item\\_print.php?id=664172](http://www.1stdibs.com/furniture_item_print.php?id=664172), available at least as early as Nov. 2, 2012.

(Continued)

*Primary Examiner* — Janice Seeger

(74) *Attorney, Agent, or Firm* — SAIDMAN DesignLaw Group

(57) **CLAIM**

The ornamental design for a table base, as shown and described.

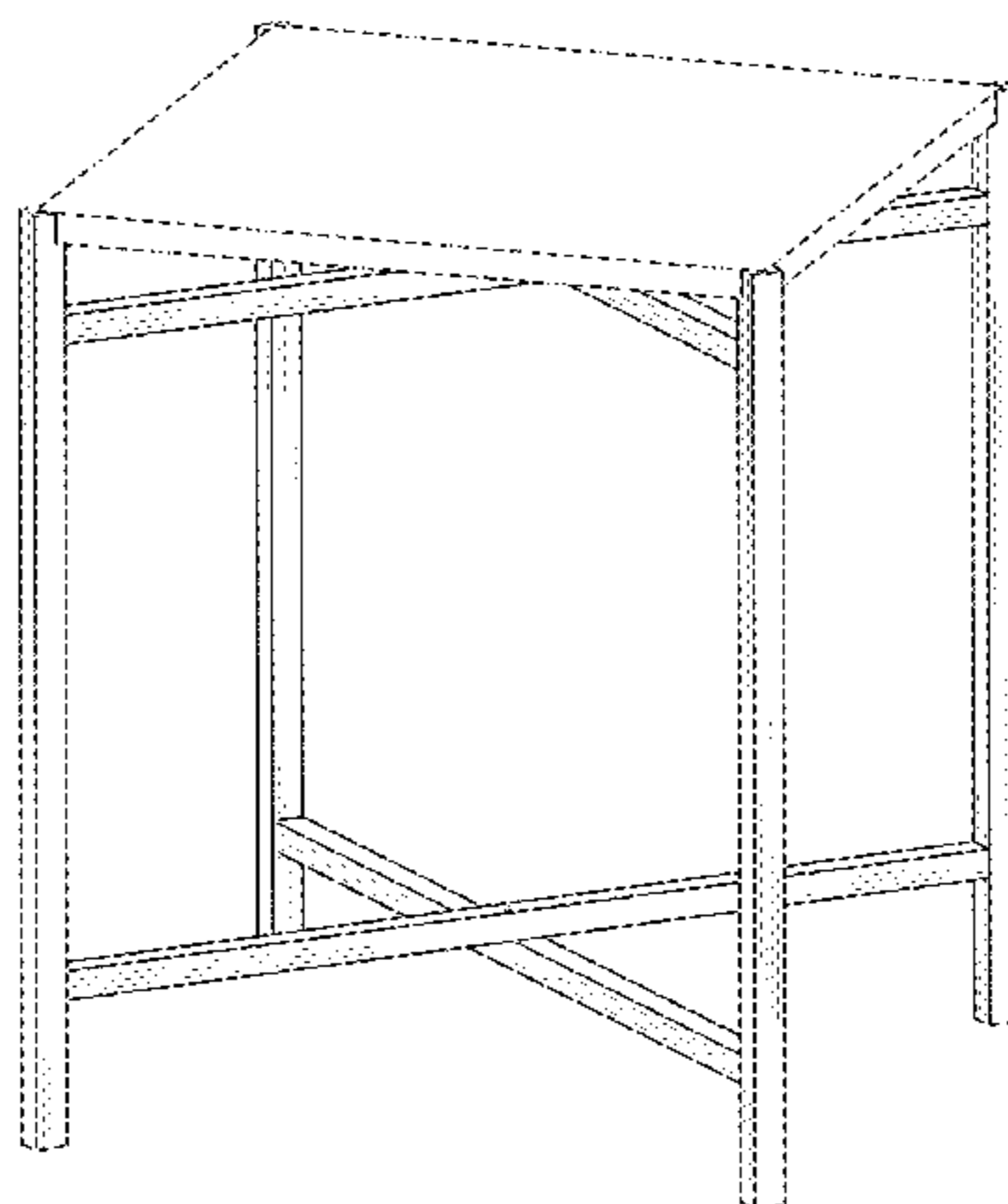
**DESCRIPTION**

The sole FIGURE is a perspective view of a table base showing my new design.

The broken lines illustrate environmental structure and form no part of the claimed design. The drawings include surface shading that represents contour and not surface ornamentation.

Those portions of the table base not shown in the sole FIGURE form no part of the claimed design.

**1 Claim, 1 Drawing Sheet**



(56)

References Cited

U.S. PATENT DOCUMENTS

|              |     |         |               |        |
|--------------|-----|---------|---------------|--------|
| 1,939,904    | A   | 12/1933 | Koopman       |        |
| 1,963,594    | A   | 6/1934  | Schwabe       |        |
| 2,010,342    | A   | 8/1935  | Woods         |        |
| 2,190,623    | A   | 2/1940  | Benson        |        |
| 2,591,797    | A   | 4/1952  | Exline et al. |        |
| D222,624     | S   | 11/1971 | Gianfagna     |        |
| 4,300,455    | A   | 11/1981 | Ornati        |        |
| D298,095     | S   | 10/1988 | Kelley et al. |        |
| D430,414     | S   | 9/2000  | Aloisi        |        |
| D440,431     | S   | 4/2001  | Alexandersson |        |
| D440,788     | S   | 4/2001  | Alexandersson |        |
| D480,578     | S   | 10/2003 | Teel          |        |
| D485,097     | S   | 1/2004  | Raftery       |        |
| D553,384     | S   | 10/2007 | Wilenius      |        |
| D649,381     | S   | 11/2011 | Mainzer       |        |
| D662,735     | S   | 7/2012  | Polidoros     |        |
| D665,540     | S   | 8/2012  | Kilroy        |        |
| D692,708     | S * | 11/2013 | Polidoros     | D6/708 |
| D693,161     | S * | 11/2013 | Polidoros     | D6/708 |
| D693,613     | S * | 11/2013 | Polidoros     | D6/708 |
| 2008/0143166 | A1  | 6/2008  | de Oliveira   |        |
| 2010/0147200 | A1  | 6/2010  | Polidoros     |        |

FOREIGN PATENT DOCUMENTS

|    |            |         |
|----|------------|---------|
| FR | 954590-001 | 11/1995 |
| FR | 954590-002 | 11/1995 |
| GB | 397 592    | 8/1933  |
| GB | 510 248    | 7/1939  |

|    |             |        |
|----|-------------|--------|
| GB | 652 211     | 4/1951 |
| GB | 766 898     | 1/1957 |
| GB | 2 316 605   | 3/1998 |
| WO | 2008/014535 | 2/2008 |

OTHER PUBLICATIONS

Fornasetti Lacquered Tray Table, 1stdibs.com, [http://www.1stdibs.com/furniture\\_item\\_print.php?id=700614](http://www.1stdibs.com/furniture_item_print.php?id=700614), available at least as early as Nov. 2, 2012.

Mark Frisman, Hans Wegner Occasional Table in Teak, 1stdibs.com, [http://www.1stdibs.com/furniture\\_item\\_print.php?id=711797](http://www.1stdibs.com/furniture_item_print.php?id=711797), available at least as early as Nov. 2, 2012.

Dual, Nest of Occasional Tables Bertha Schaefer for M. Singer & Sons, 1stdibs.com, [http://www.1stdibs.com/furniture\\_item\\_print.php?id=330714](http://www.1stdibs.com/furniture_item_print.php?id=330714), available at least as early as Nov. 2, 2012.

G<sub>4</sub> Décor, Tole Tray with Stand, 1stdibs.com, [http://www.1stdibs.com/furniture\\_item\\_print.php?id=499089](http://www.1stdibs.com/furniture_item_print.php?id=499089), available at least as early as Nov. 2, 2012.

Forbes Industries, EcoFlex Tables Catalogue, © 2013.

Table A, publication date unknown.

Table B, publication date unknown.

Table C, publication date unknown.

Application of Nicholas Polidoros in U.S. Appl. No. 29/424,878, filed Jun. 16, 2012, as amended Jun. 24, 2013 and Jun. 25, 2013.

Application of Nicholas Polidoros in U.S. Appl. No. 29/457,257, filed Jun. 7, 2013, as amended Jul. 19, 2013.

Application of Nicholas Polidoros in U.S. Appl. No. 29/461,203, filed Jul. 19, 2013.

\* cited by examiner

