



US00D703472S

(12) **United States Design Patent**
Hundley

(10) **Patent No.:** **US D703,472 S**

(45) **Date of Patent:** **** Apr. 29, 2014**

- (54) **STAND FOR FOOD SERVICE**
- (71) Applicant: **The Vollrath Company, L.L.C.**,
Sheboygan, WI (US)
- (72) Inventor: **Jill E. Hundley**, Sheboygan, WI (US)
- (73) Assignee: **The Vollrath Company**, Sheboygan, WI
(US)

D356,468 S	3/1995	Beck et al.	
D361,447 S	8/1995	Moore	
D371,921 S *	7/1996	Anzalone et al.	D6/484
D400,565 S	11/1998	Ahl	
D496,805 S *	10/2004	Anderson et al.	D6/445
D509,081 S *	9/2005	Anderson et al.	D6/432
D514,057 S	1/2006	Borunda et al.	
D519,913 S	5/2006	Emerson	
D628,408 S *	12/2010	Schultz	D6/480
2011/0155021 A1 *	6/2011	Geitner	108/25

(**) Term: **14 Years**

(21) Appl. No.: **29/437,009**

(22) Filed: **Nov. 12, 2012**

(51) **LOC (10) Cl.** **06-06**

(52) **U.S. Cl.**

USPC **D6/703.1; D6/703.5**

(58) **Field of Classification Search**

USPC D6/703, 703.1, 703.3, 703.5, 668, 663,
D6/691, 691.8, 691.9, 691.3, 699, 699.2;
108/151, 153.1, 155, 156, 157.1,
108/158.12, 161; 312/140.1, 283, 213, 297
See application file for complete search history.

(56) **References Cited**

U.S. PATENT DOCUMENTS

D260,836 S *	9/1981	de Polo et al.	D6/484
D294,788 S	3/1988	Cautereels et al.	
D321,300 S	11/1991	Postic	
D355,552 S	2/1995	Whited et al.	

* cited by examiner

Primary Examiner — Janice Seeger

(74) *Attorney, Agent, or Firm* — Foley & Lardner LLP

(57) **CLAIM**

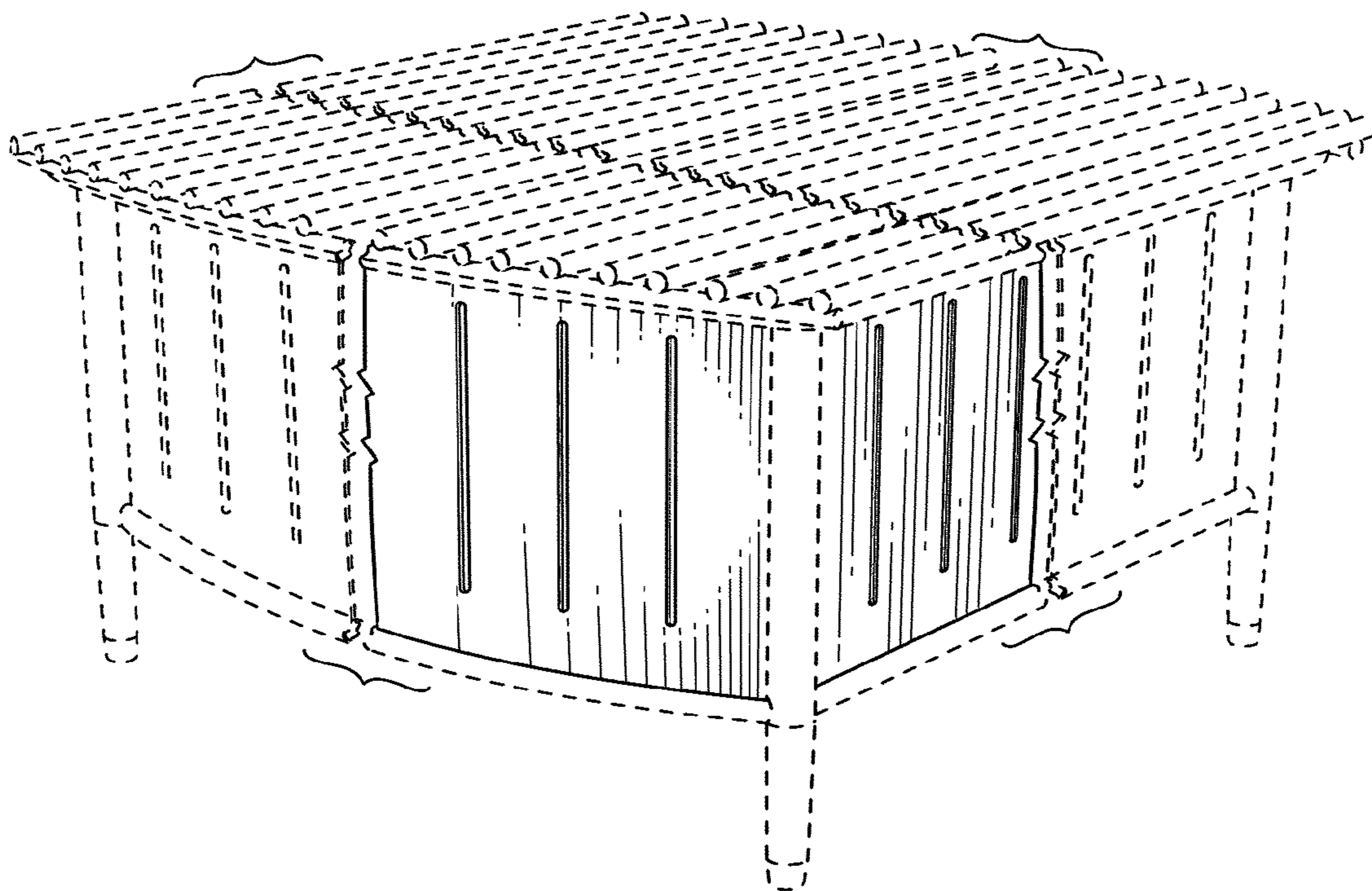
I claim the ornamental design for a stand for food service, as shown and described.

DESCRIPTION

FIG. 1 is a perspective view of the claimed design;
FIG. 2 is a front view thereof;
FIG. 3 is a rear view thereof;
FIG. 4 is a right side view thereof;
FIG. 5 is a left side view thereof;
FIG. 6 is a top view thereof; and,
FIG. 7 is a bottom view thereof.

The ornamental design which is claimed is shown in solid lines in the drawings. The broken lines in the drawings are for illustrative purposes only and form no part of the claimed design.

1 Claim, 4 Drawing Sheets



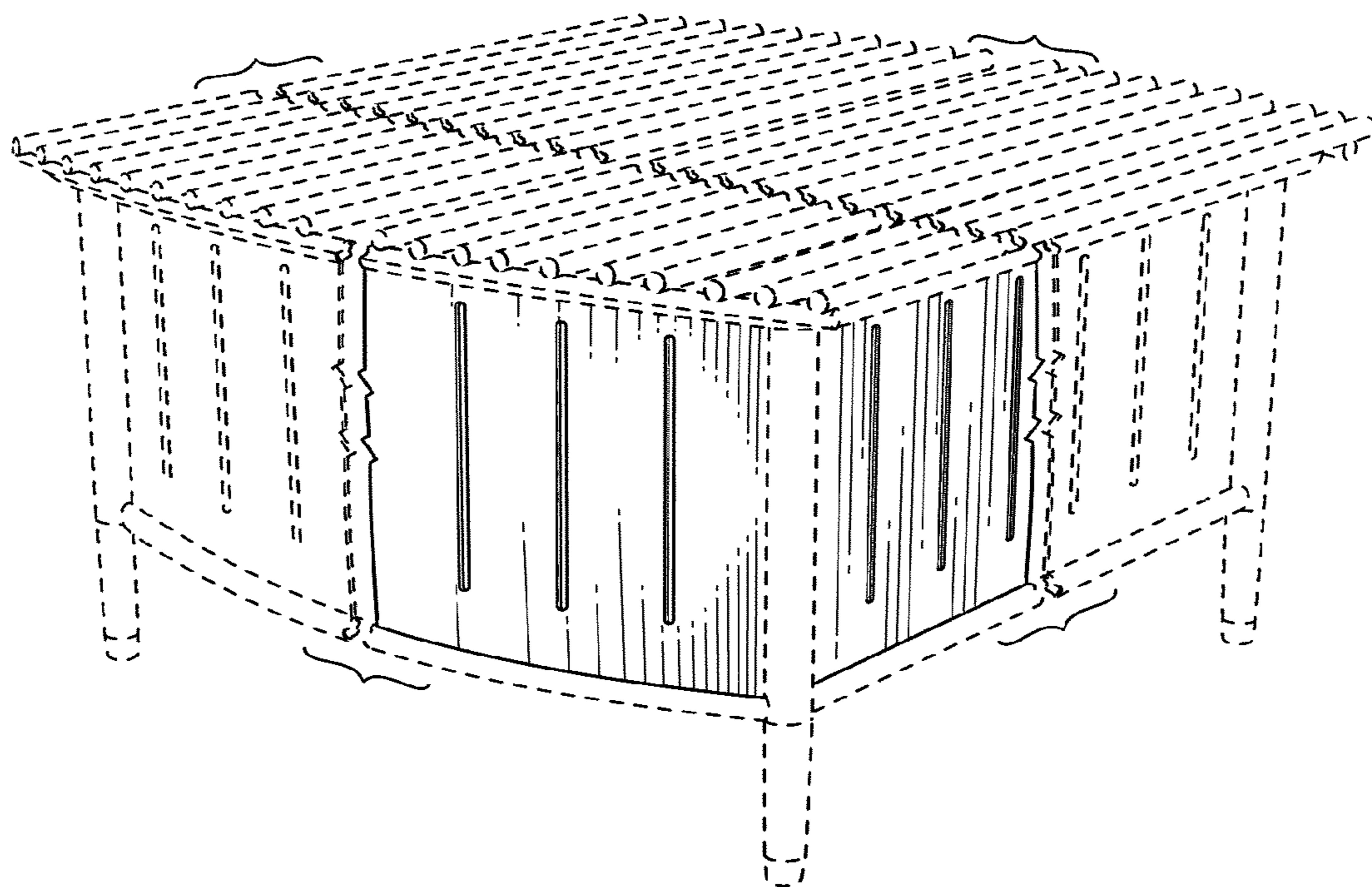


FIG. 1

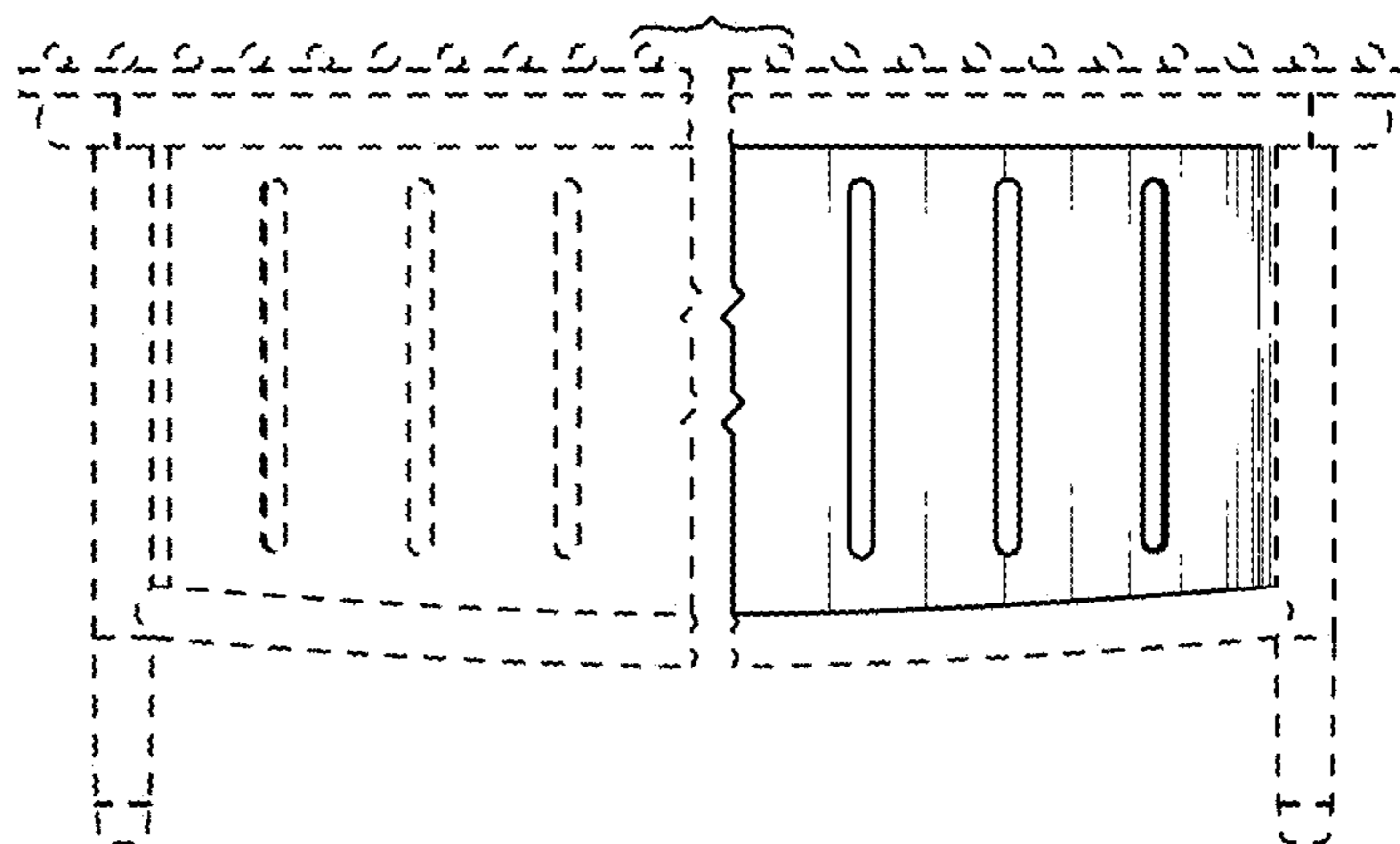


FIG. 2

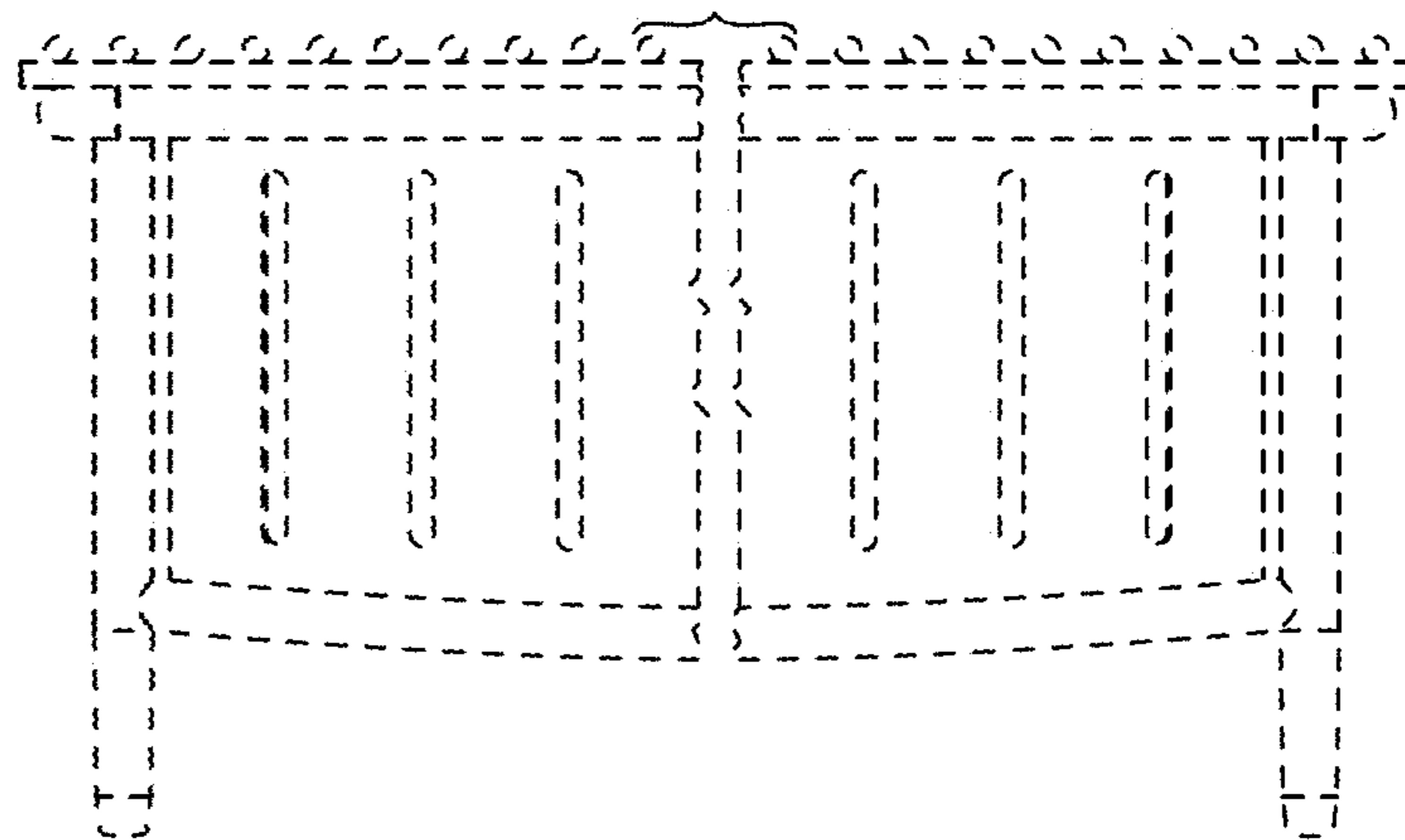


FIG. 3

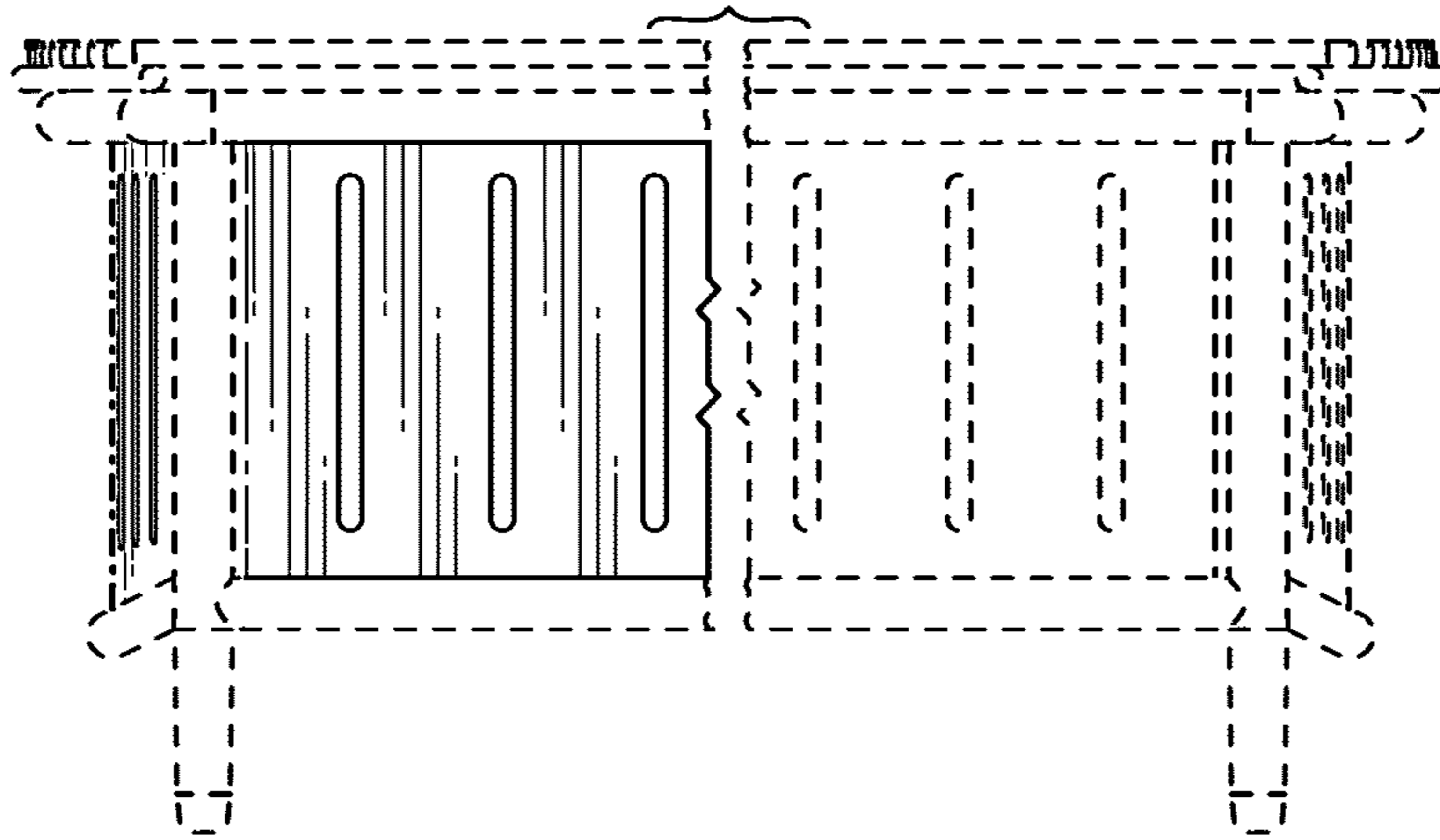


FIG. 4

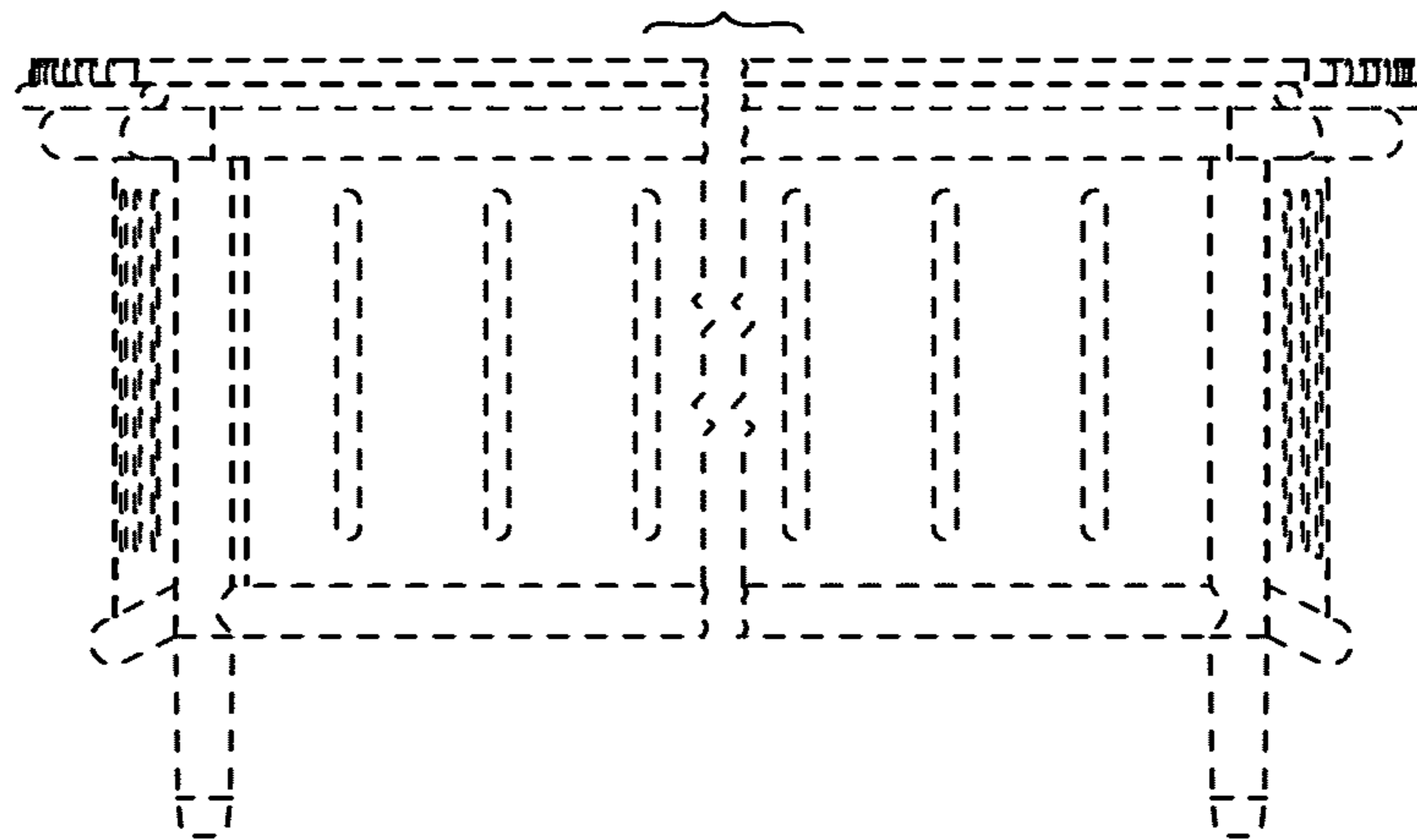


FIG. 5

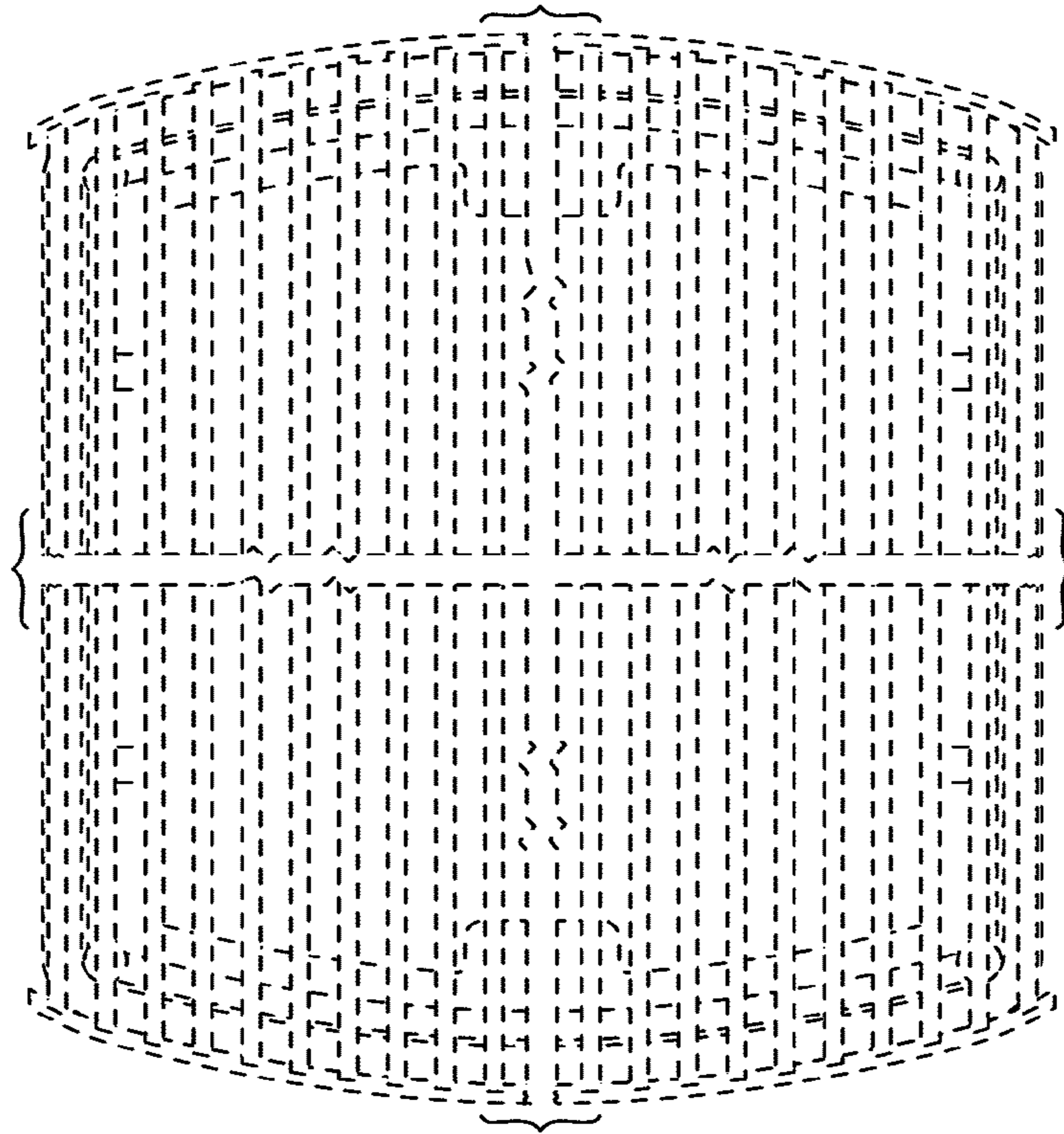


FIG. 6

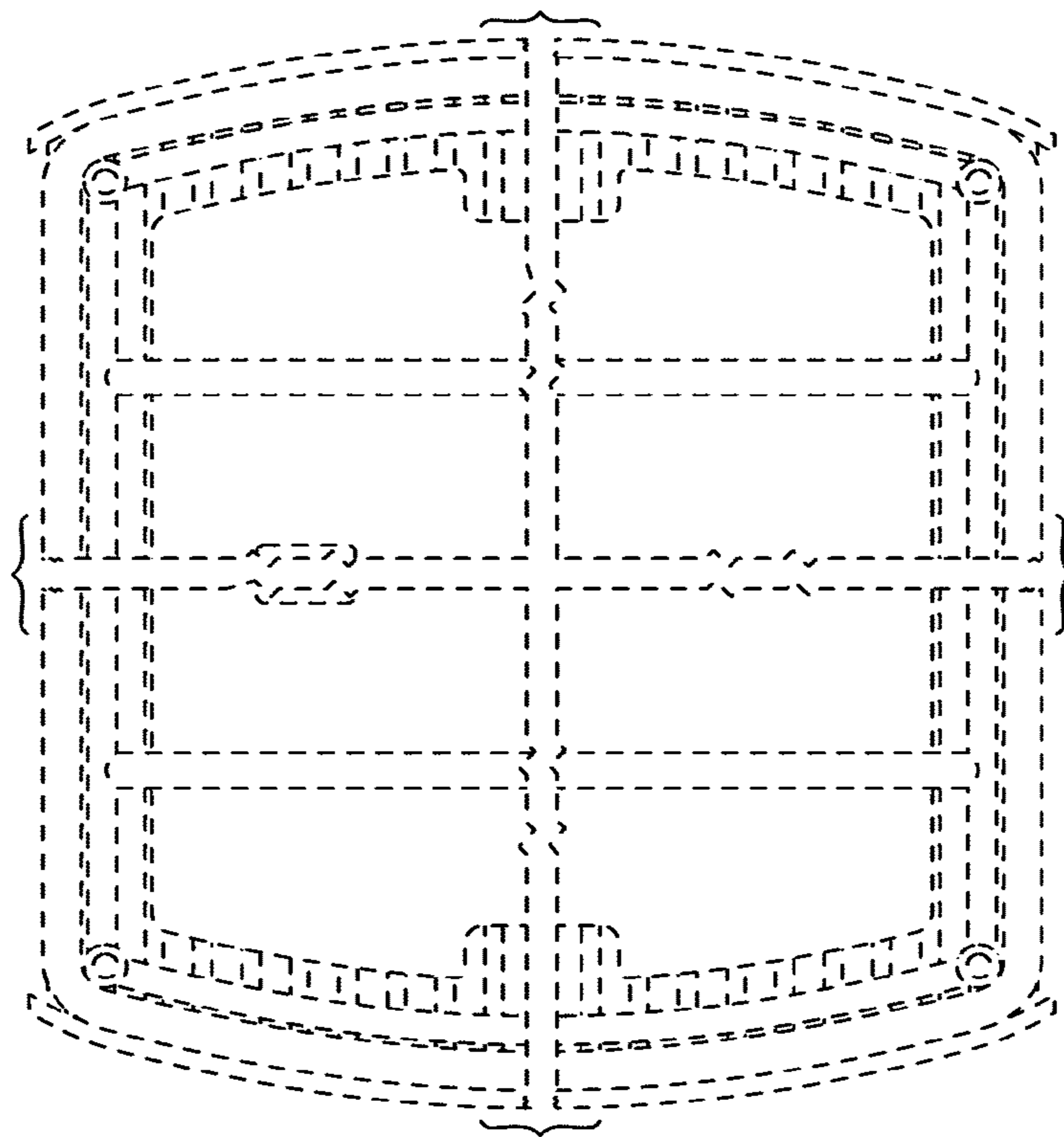


FIG. 7