



US00D703470S

(12) **United States Design Patent**  
**McDonough**

(10) **Patent No.:** **US D703,470 S**

(45) **Date of Patent:** **\*\* Apr. 29, 2014**

(54) **HORIZONTAL CARD HOLDER**

(71) Applicant: **Claudette Y. McDonough**, Ormond Beach, FL (US)

(72) Inventor: **Claudette Y. McDonough**, Ormond Beach, FL (US)

(\*\*) Term: **14 Years**

(21) Appl. No.: **29/440,529**

(22) Filed: **Dec. 21, 2012**

**Related U.S. Application Data**

(60) Division of application No. 29/345,348, filed on Oct. 14, 2009, now Pat. No. Des. 674,215, which is a continuation-in-part of application No. 12/116,915, filed on May 7, 2008, now abandoned.

(51) **LOC (10) Cl.** ..... **06-06**

(52) **U.S. Cl.**  
USPC ..... **D6/676.3**

(58) **Field of Classification Search**  
USPC ..... D6/407, 467-468, 474, 476, 512, D6/569-571, 626, 630, 676.3; D19/75, 77, D19/85-86, 90-91; D3/304; 206/214, 345; 211/10, 13.1, 12, 44, 49.1, 50, 55, 211/69.1, 75, 86.01, 87.01, 88.01, 126.1  
See application file for complete search history.

(56) **References Cited**

**U.S. PATENT DOCUMENTS**

D227,066 S *	6/1973	Gallat .....	D6/473
D256,199 S *	8/1980	Burke et al. ....	D6/474
D279,529 S *	7/1985	Denhoff .....	D6/474
D282,989 S *	3/1986	Nelson .....	D6/474
D297,868 S *	9/1988	Sussman .....	D28/76
D304,842 S *	11/1989	Barone et al. ....	D19/75
D322,728 S *	12/1991	Berman .....	D6/476
D324,144 S *	2/1992	Watrous .....	D6/476
D348,366 S *	7/1994	Stravitz .....	D6/476
5,447,242 A *	9/1995	Kelly et al. ....	211/42
D370,141 S *	5/1996	Kelly et al. ....	D6/475
D436,266 S *	1/2001	Buchanan et al. ....	D6/474

D451,744 S *	12/2001	Stravitz .....	D6/571
D453,275 S *	2/2002	Stravitz .....	D6/570
D459,398 S *	6/2002	Stravitz .....	D19/90
D479,660 S *	9/2003	Vinson .....	D6/476
7,104,408 B2 *	9/2006	Stravitz .....	211/11
D555,736 S *	11/2007	Decarlo et al. ....	D19/90
7,419,320 B2 *	9/2008	LaBrasca .....	401/131
D585,494 S *	1/2009	Yoshikawa .....	D19/78
D601,837 S *	10/2009	Evans .....	D6/553
D645,904 S *	9/2011	Tsai .....	D19/90
D655,346 S *	3/2012	Tsai .....	D19/90
D680,171 S *	4/2013	Stravitz .....	D19/90

\* cited by examiner

*Primary Examiner* — Kelley Donnelly

(74) *Attorney, Agent, or Firm* — Allen, Dyer, Doppelt, Milbrath & Gilchrist, P.A.

(57) **CLAIM**

The ornamental design for a horizontal card holder, as shown and described.

**DESCRIPTION**

FIG. 1 is a perspective view from the front, top and right of a horizontal card holder, according to a first embodiment of the present invention;

FIG. 2 is right side view thereof, the left side being a mirror image;

FIG. 3 is a top view thereof;

FIG. 4 is a bottom view thereof;

FIG. 5 is a front view thereof;

FIG. 6 is a rear view thereof;

FIG. 7 is a perspective view from the front, top and right of a horizontal card holder, according to a second embodiment of the present invention;

FIG. 8 is right side view of the card holder of FIG. 7;

FIG. 9 is a top view of the card holder of FIG. 7;

FIG. 10 is a bottom view of the card holder of FIG. 7;

FIG. 11 is a front view of the card holder of FIG. 7;

FIG. 12 is a rear view of the card holder of FIG. 7;

FIG. 13 is a perspective view from the front, top and right of a horizontal card holder, according to a third embodiment of the present invention;

FIG. 14 is right side view of the card holder of FIG. 13;

FIG. 15 is a top view of the card holder of FIG. 13;

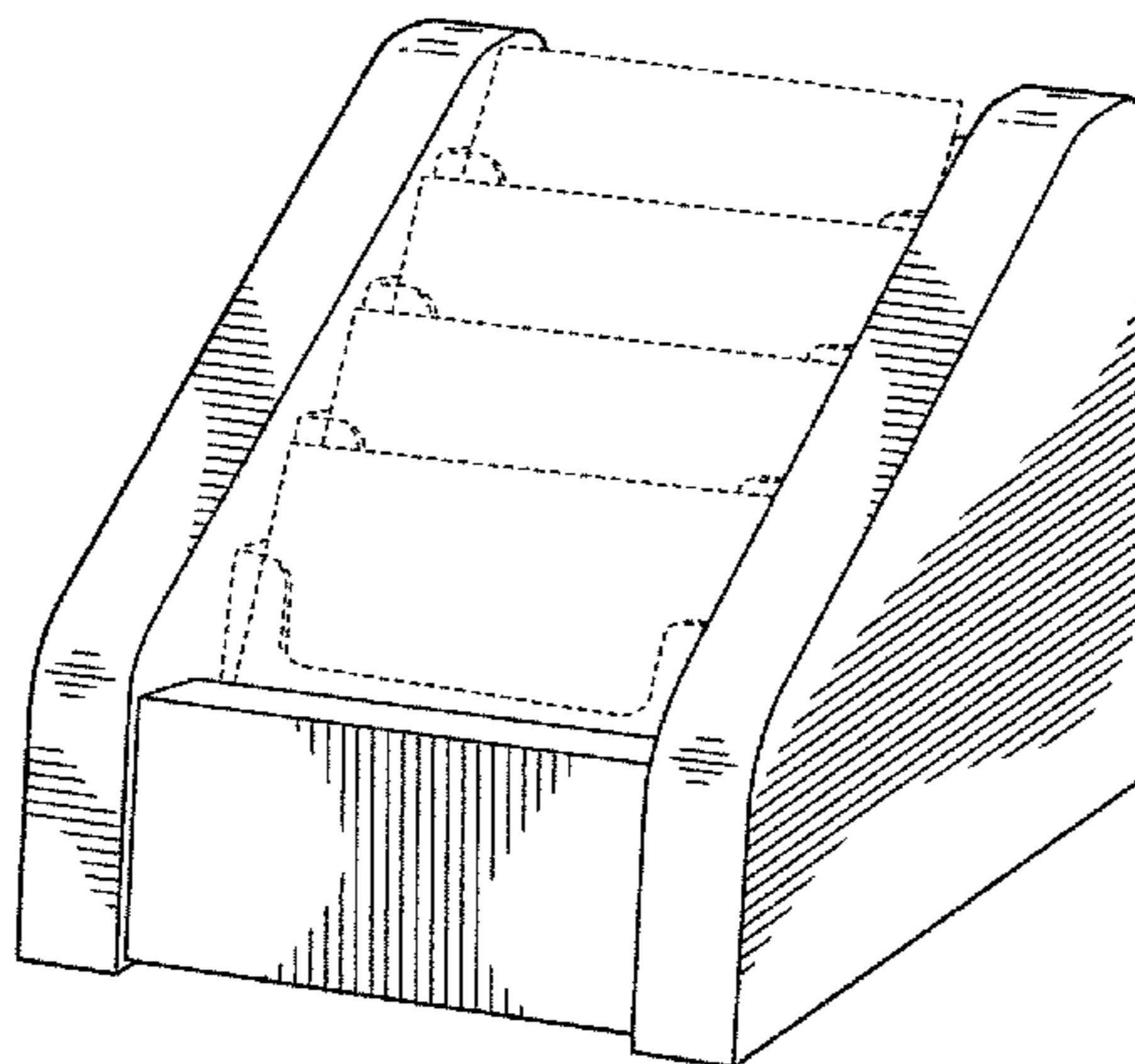


FIG. 16 is a bottom view of the card holder of FIG. 13;  
FIG. 17 is a front view of the card holder of FIG. 13;  
FIG. 18 is a rear view of the card holder of FIG. 13;  
FIG. 19 is a perspective view from the front, top and right of a horizontal card holder, according to a fourth embodiment of the present invention;  
FIG. 20 is right side view of the card holder of FIG. 19;  
FIG. 21 is a top view of the card holder of FIG. 19;  
FIG. 22 is a bottom view of the card holder of FIG. 19;  
FIG. 23 is a front view of the card holder of FIG. 19;  
FIG. 24 is a rear view of the card holder of FIG. 19;  
FIG. 25 is a perspective view from the front, top and right of a horizontal card holder, according to a fifth embodiment of the present invention;  
FIG. 26 is right side view of the card holder of FIG. 25;  
FIG. 27 is a top view of the card holder of FIG. 25;  
FIG. 28 is a bottom view of the card holder of FIG. 25;  
FIG. 29 is a front view of the card holder of FIG. 25;  
FIG. 30 is a rear view of the card holder of FIG. 25;

FIG. 31 is a perspective view from the front, top and right of a horizontal card holder, according to a sixth embodiment of the present invention;  
FIG. 32 is right side view of the card holder of FIG. 31;  
FIG. 33 is a top view of the card holder of FIG. 31;  
FIG. 34 is a bottom view of the card holder of FIG. 31;  
FIG. 35 is a front view of the card holder of FIG. 31;  
FIG. 36 is a rear view of the card holder of FIG. 31;  
FIG. 37 is a perspective view from the front, top and right of a horizontal card holder, according to a seventh embodiment of the present invention;  
FIG. 38 is right side view of the card holder of FIG. 37;  
FIG. 39 is a top view of the card holder of FIG. 38;  
FIG. 40 is a bottom view of the card holder of FIG. 39;  
FIG. 41 is a front view of the card holder of FIG. 40; and,  
FIG. 42 is a rear view of the card holder of FIG. 41.  
Broken lines show environmental details and form no part of the claimed design.

**1 Claim, 23 Drawing Sheets**

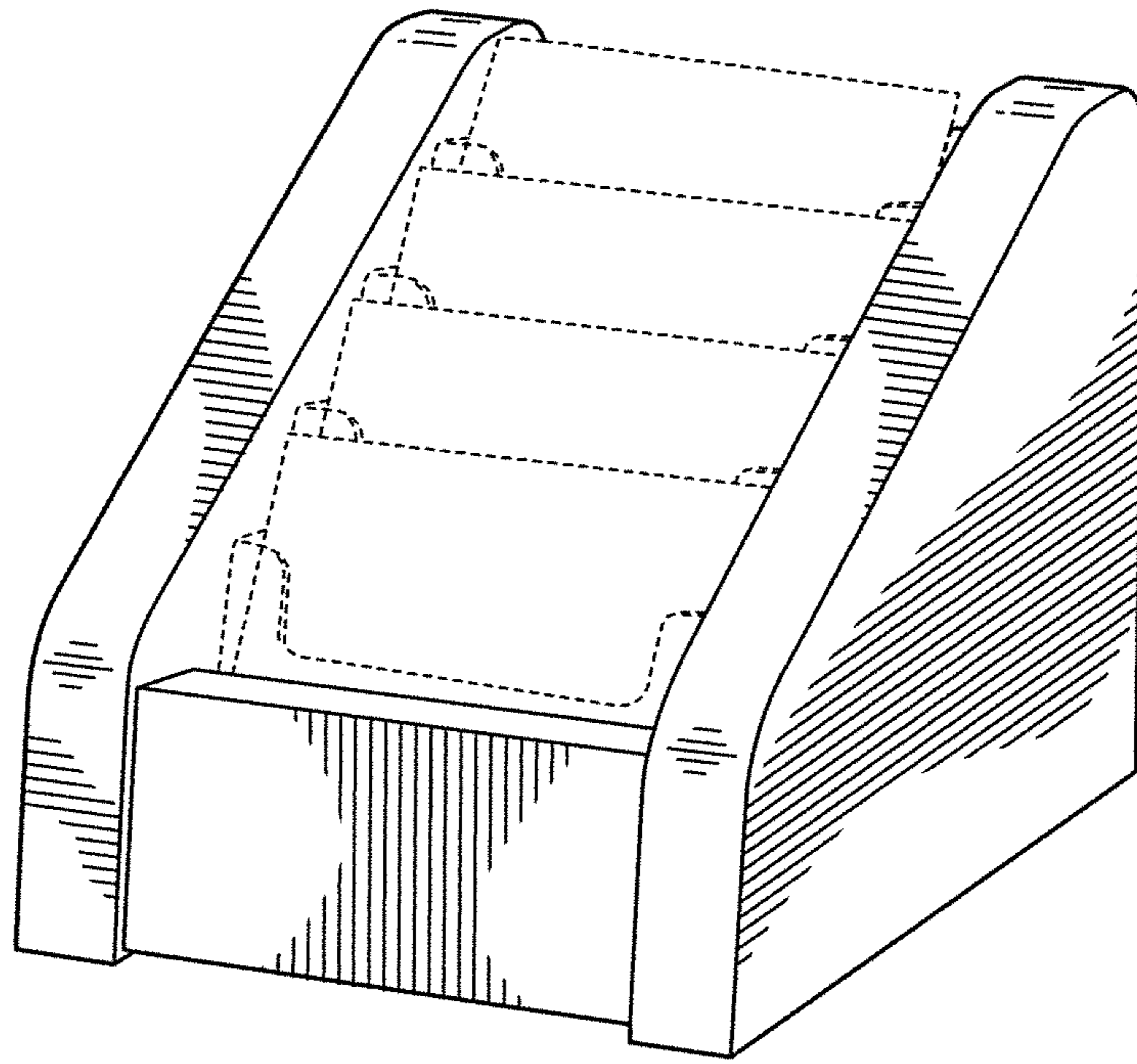


FIG. 1

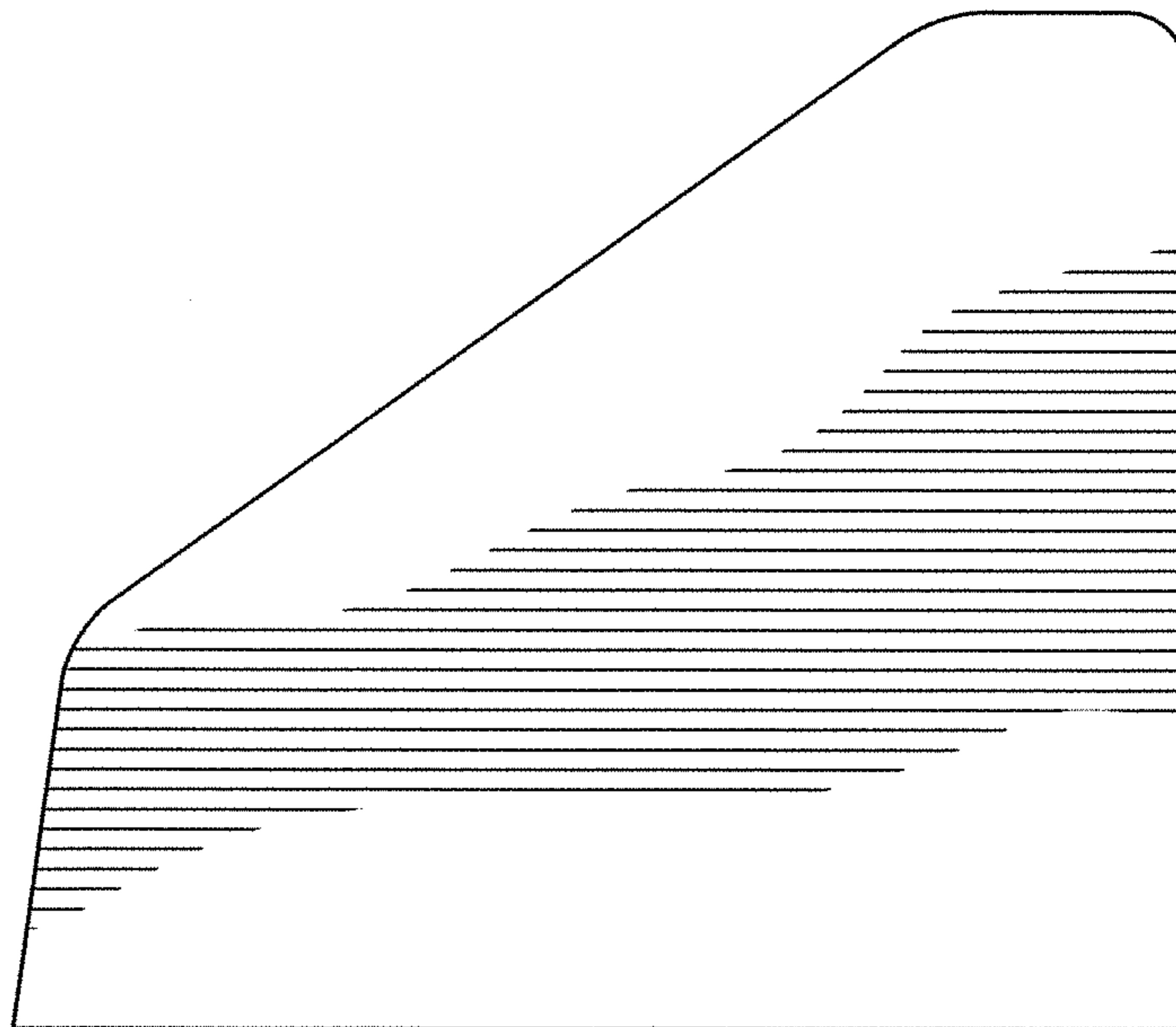


FIG. 2



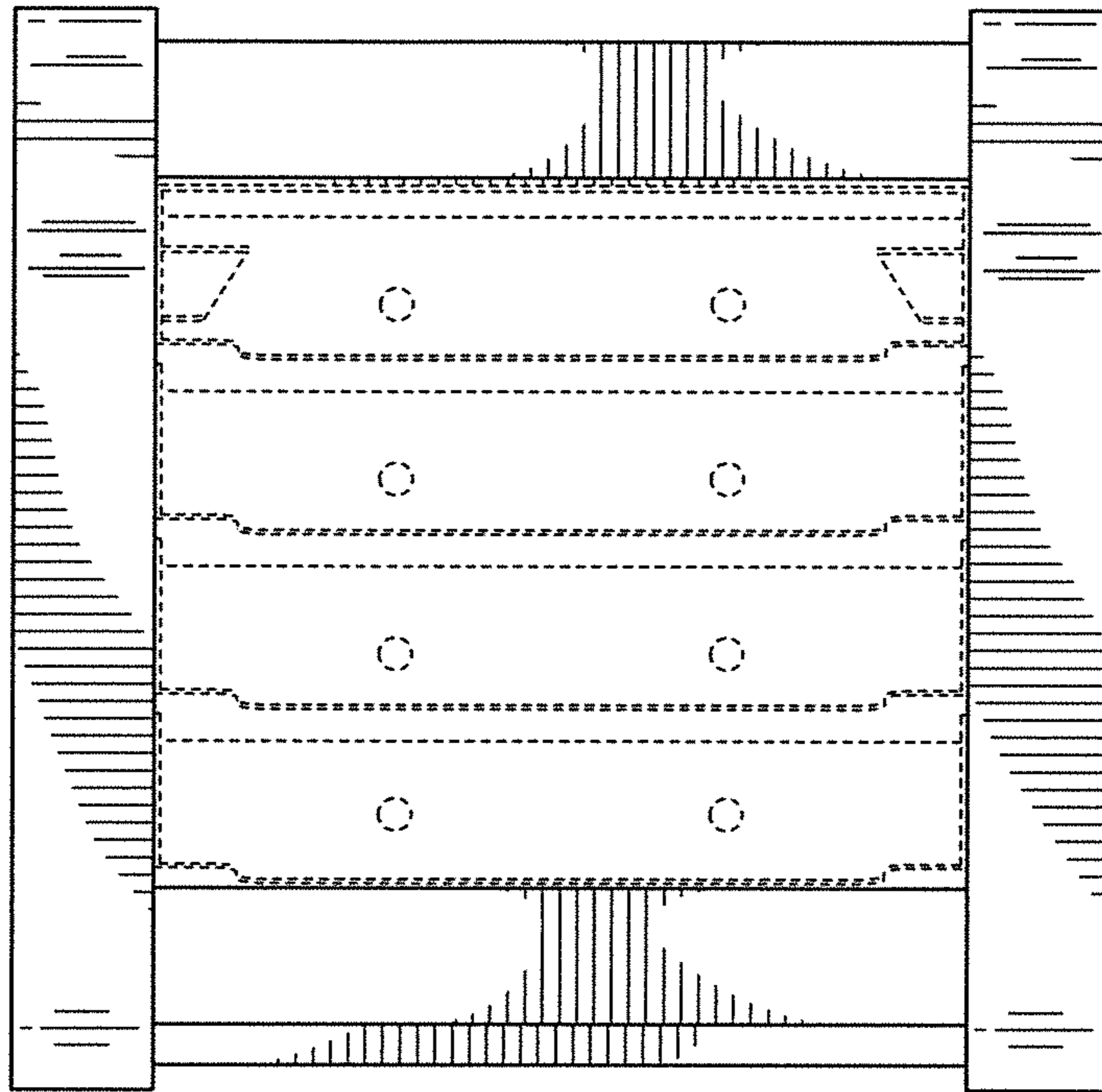


FIG. 3

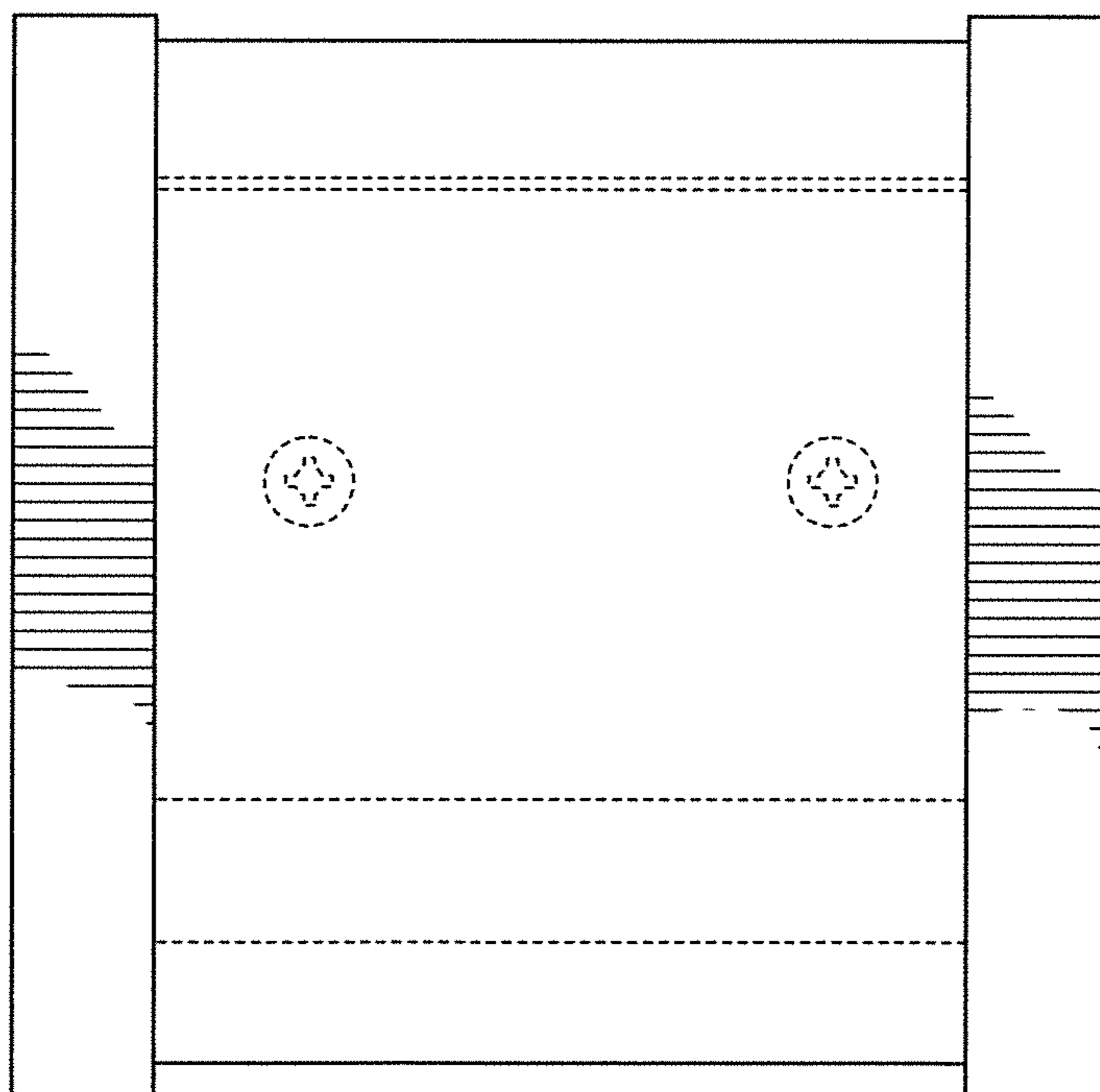


FIG. 4

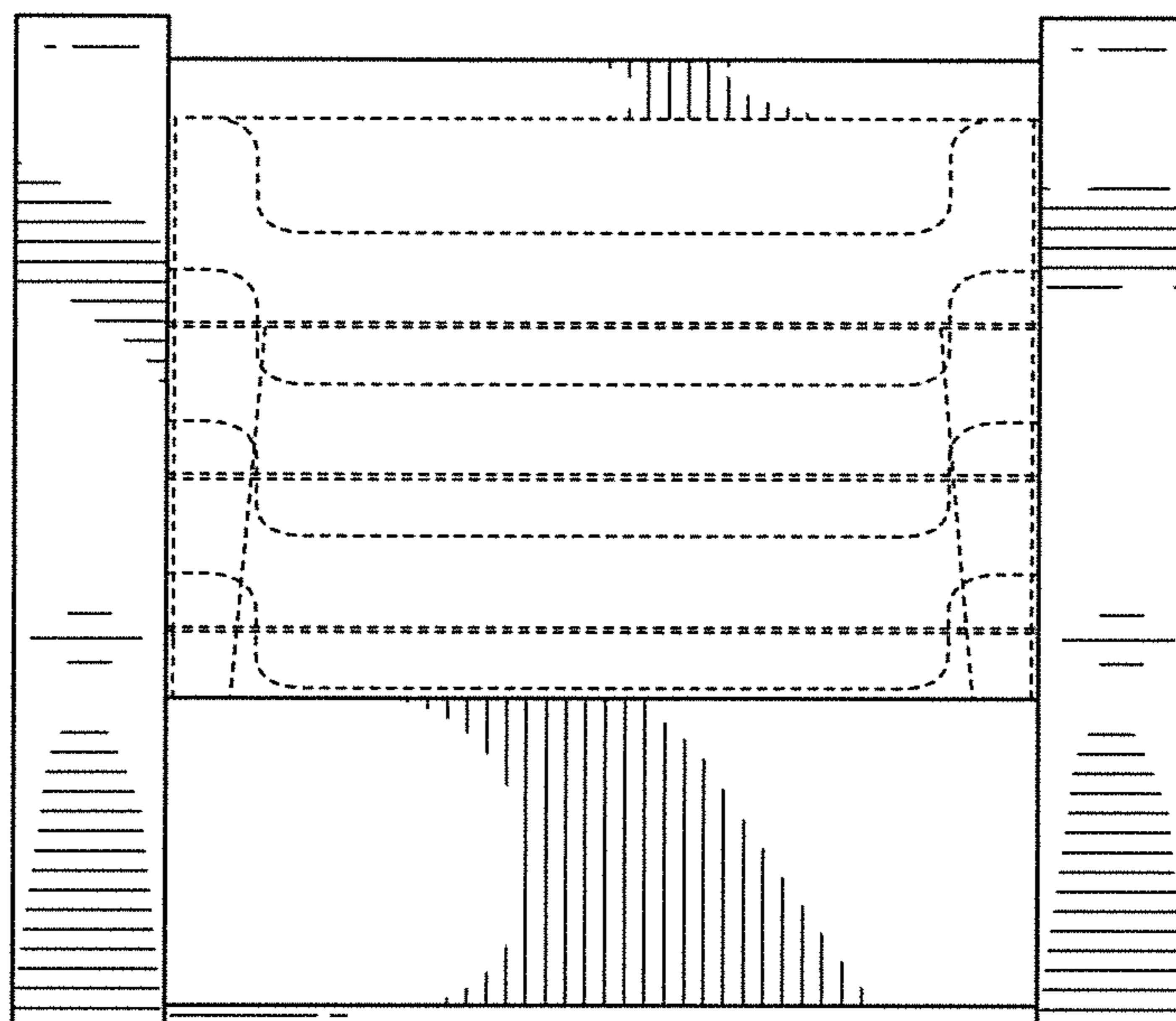


FIG. 5

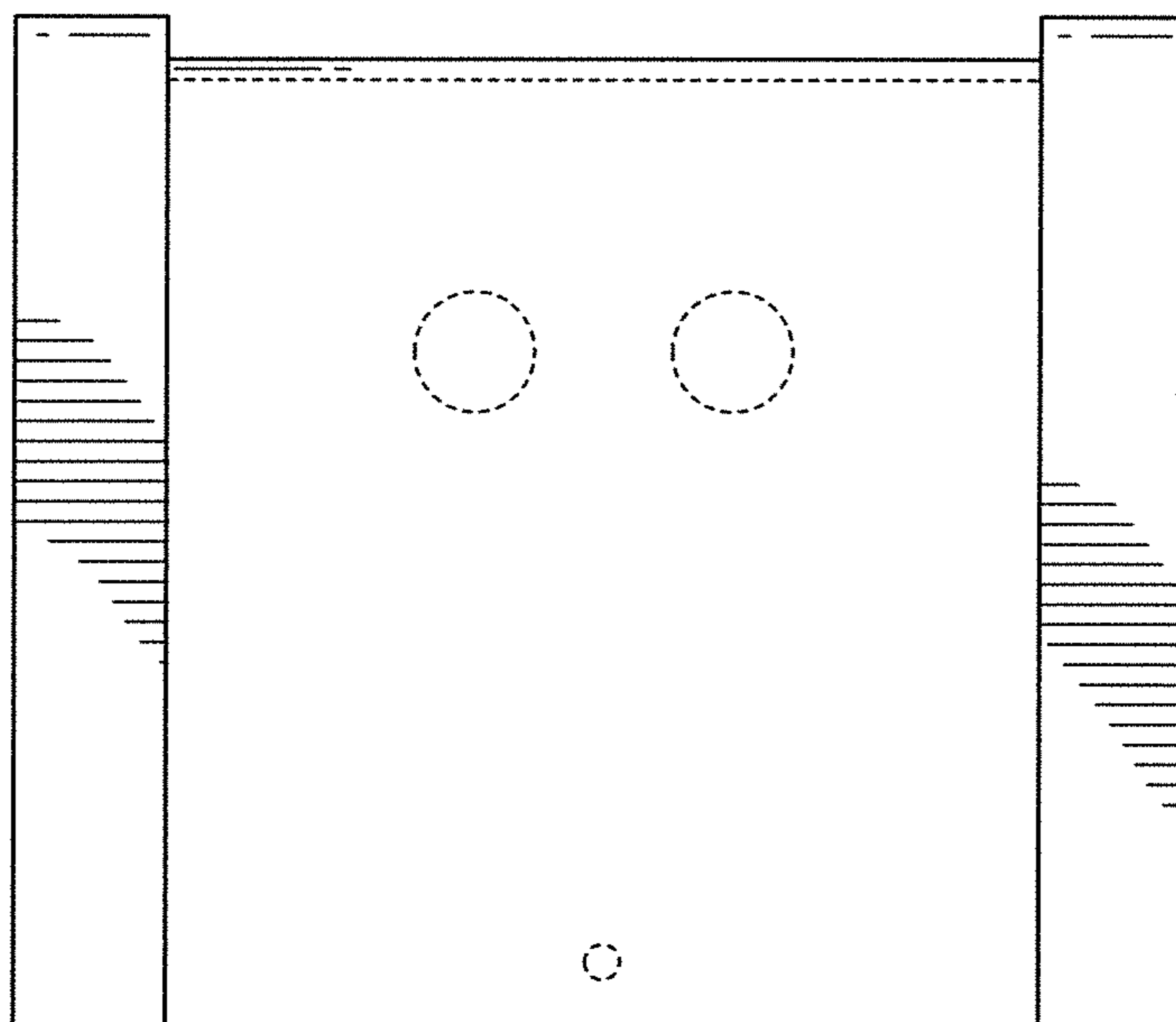


FIG. 6

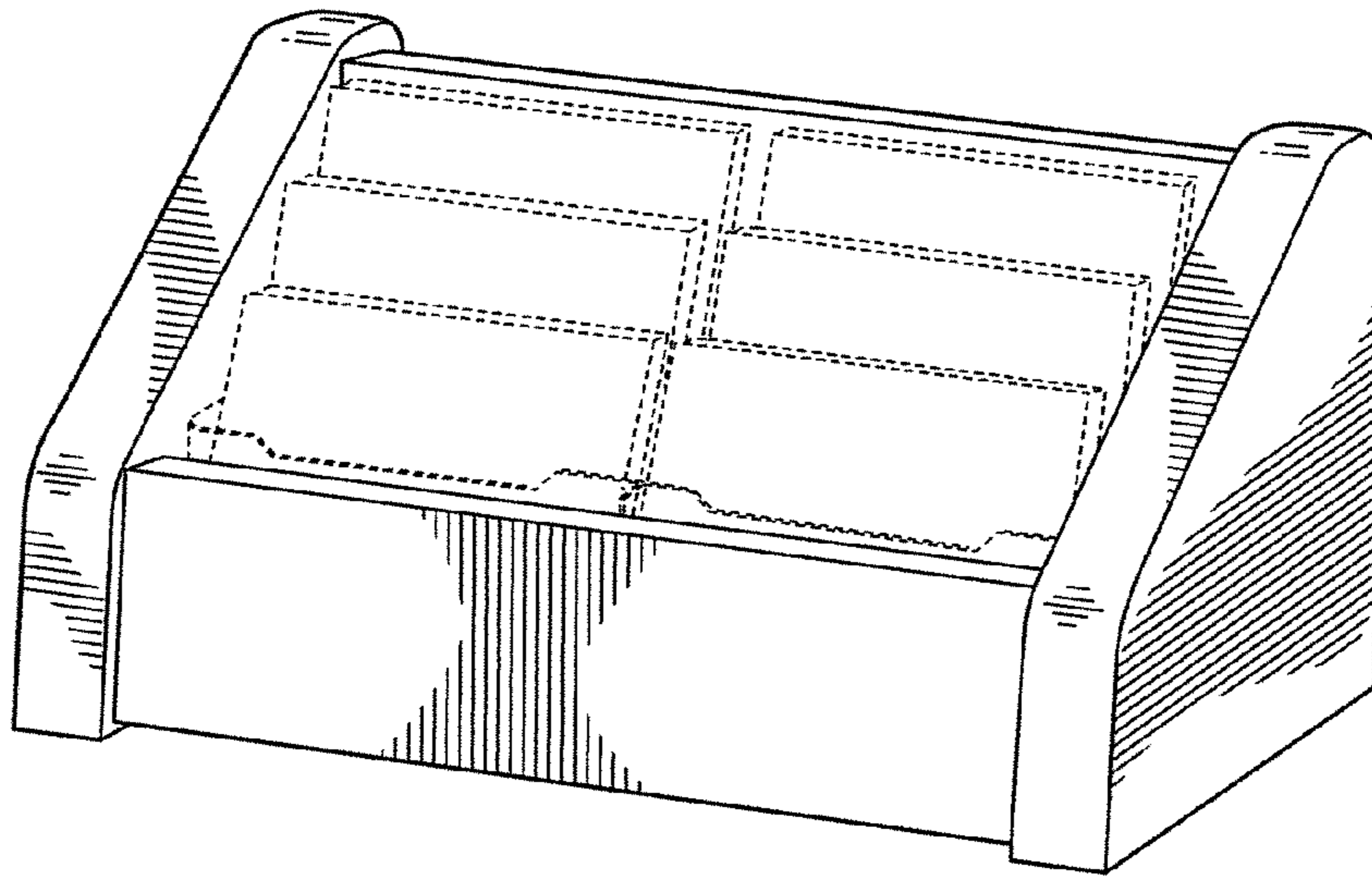


FIG. 7

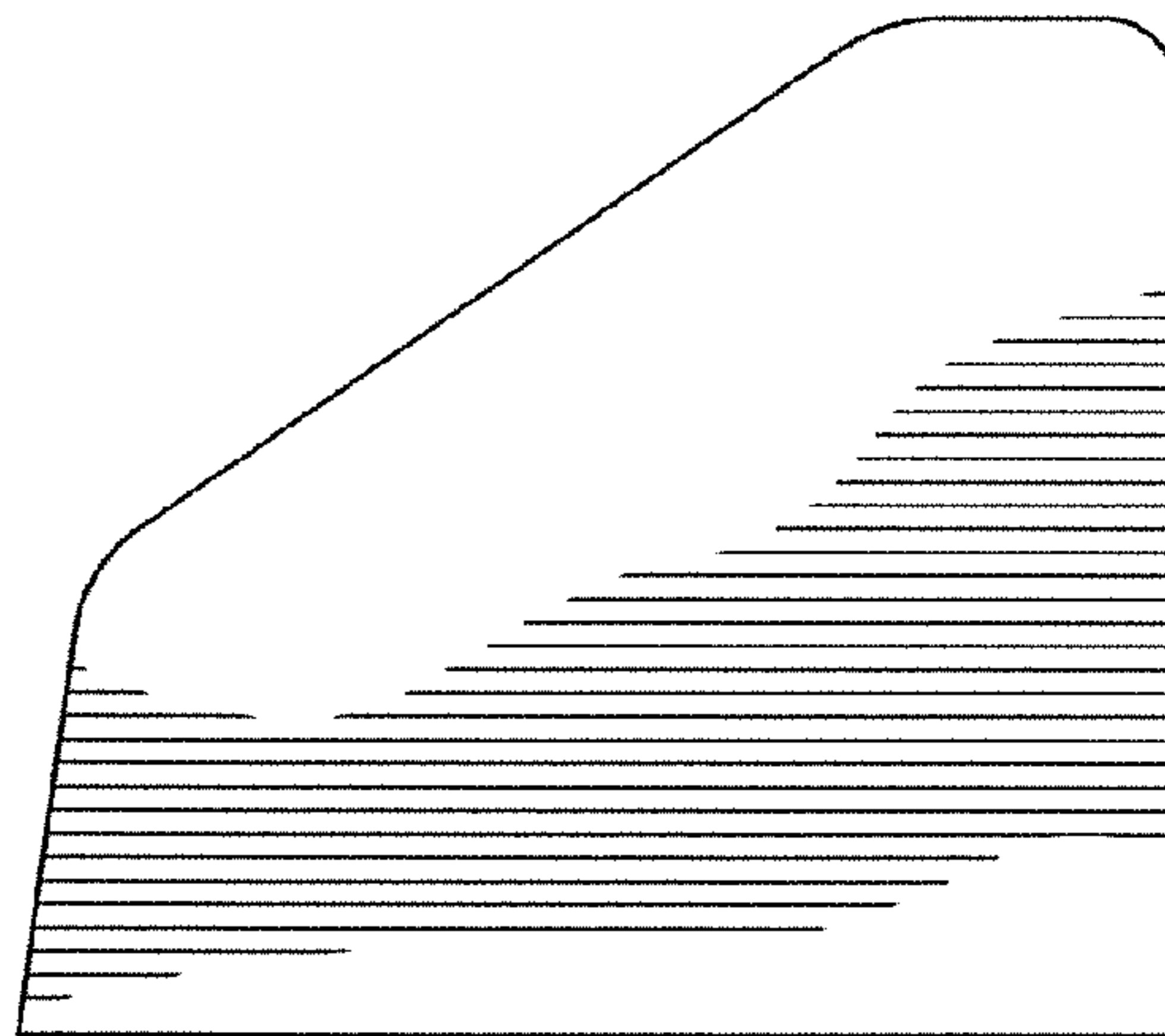


FIG. 8

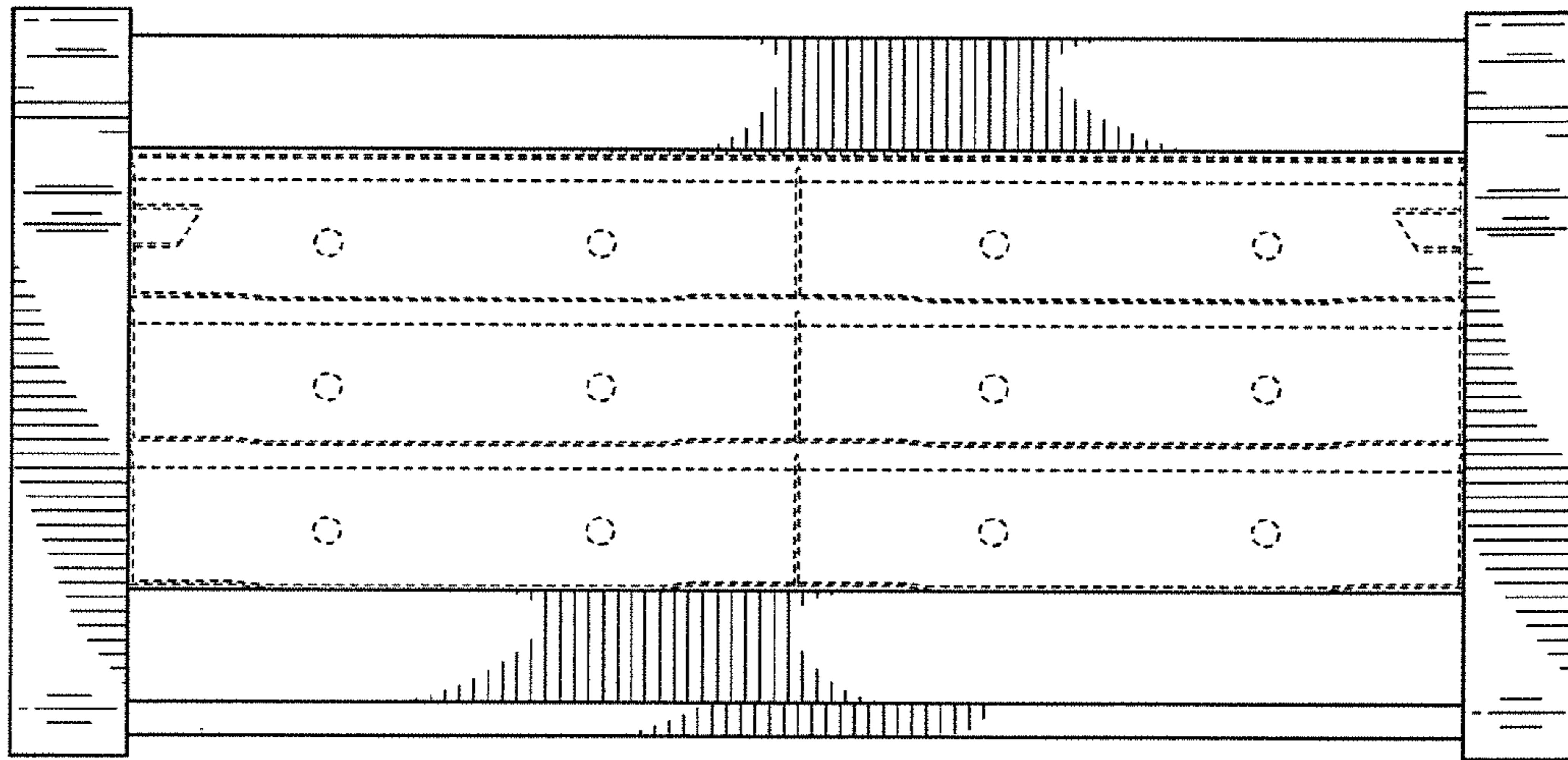


FIG. 9

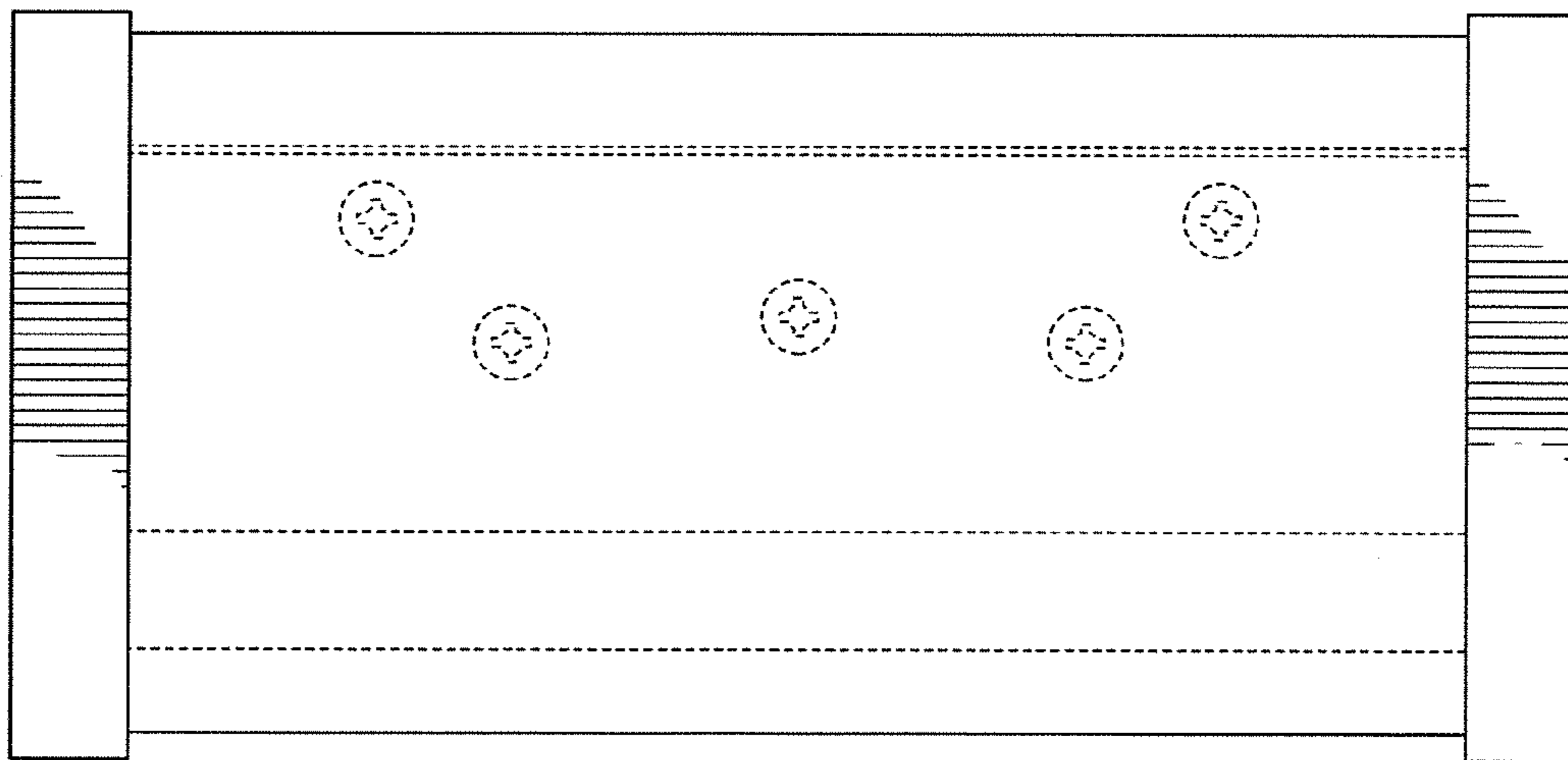


FIG. 10

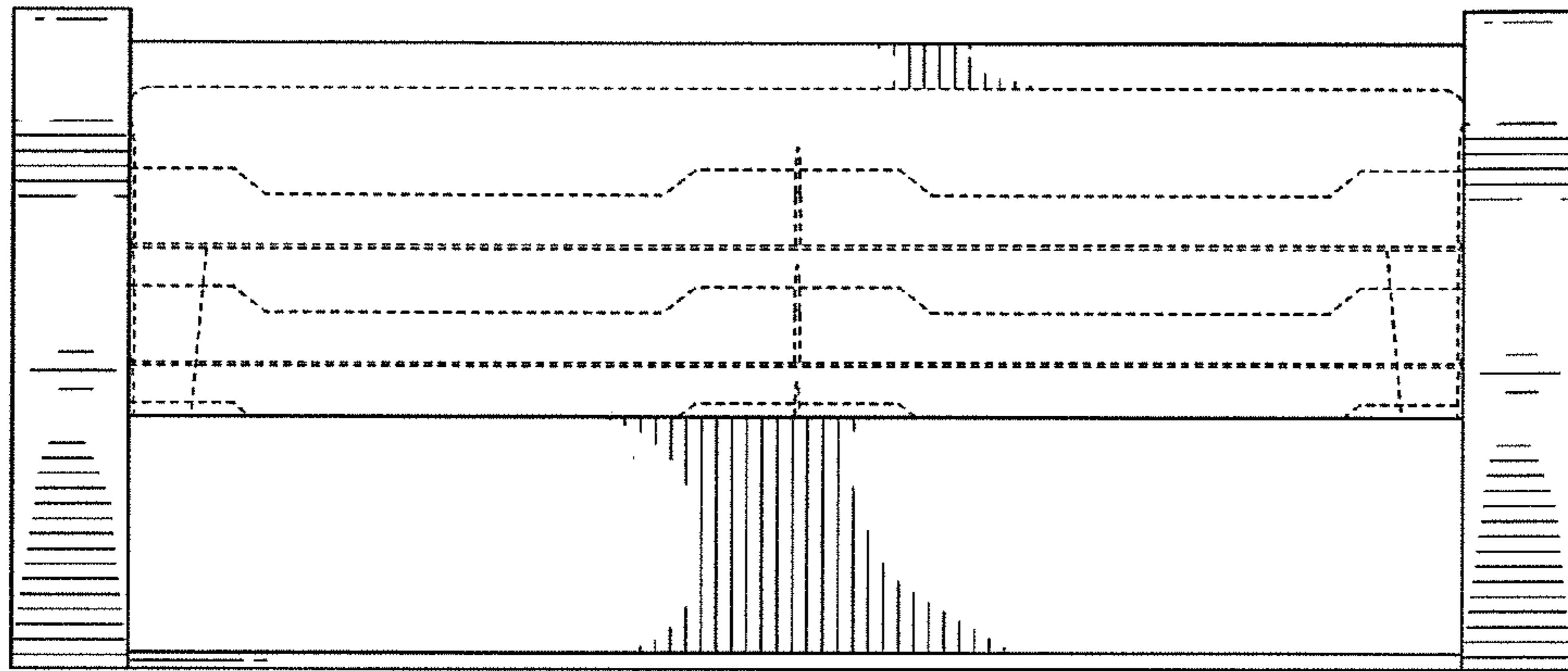


FIG. 11

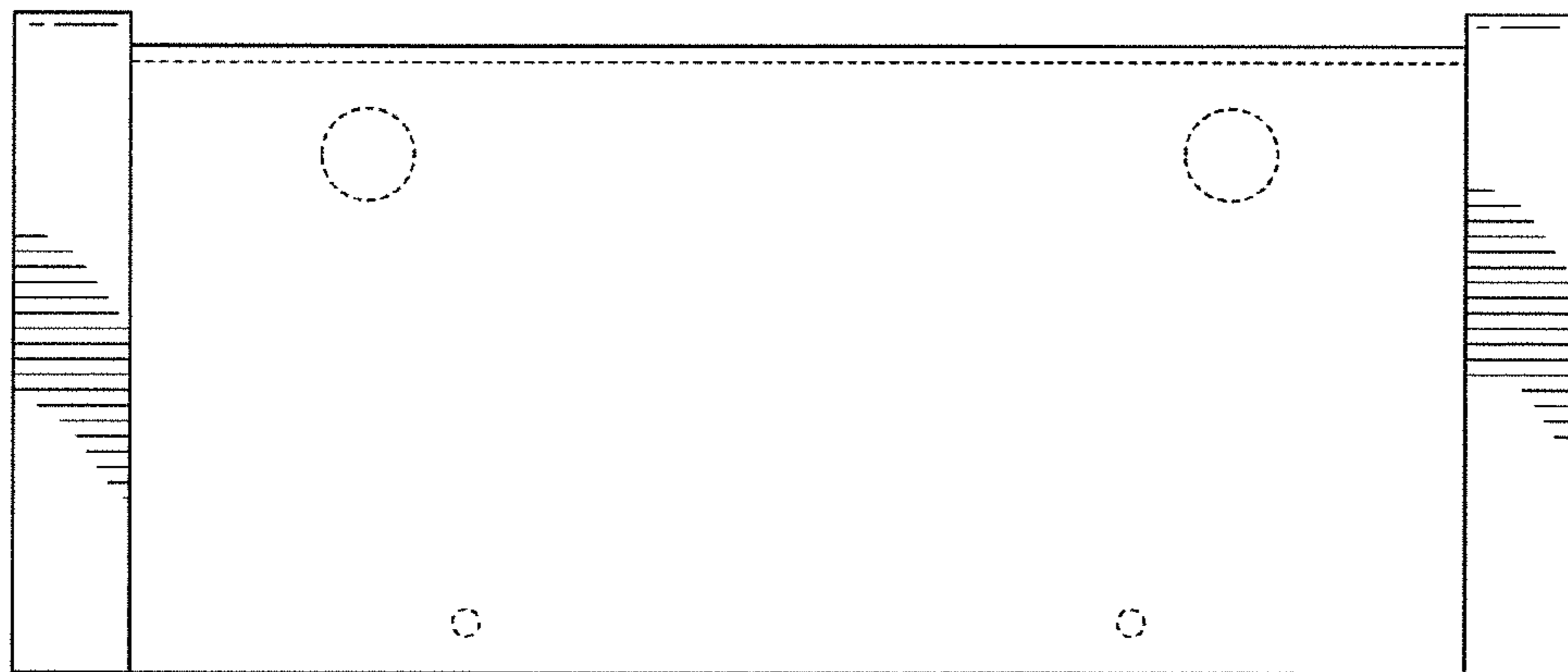


FIG. 12



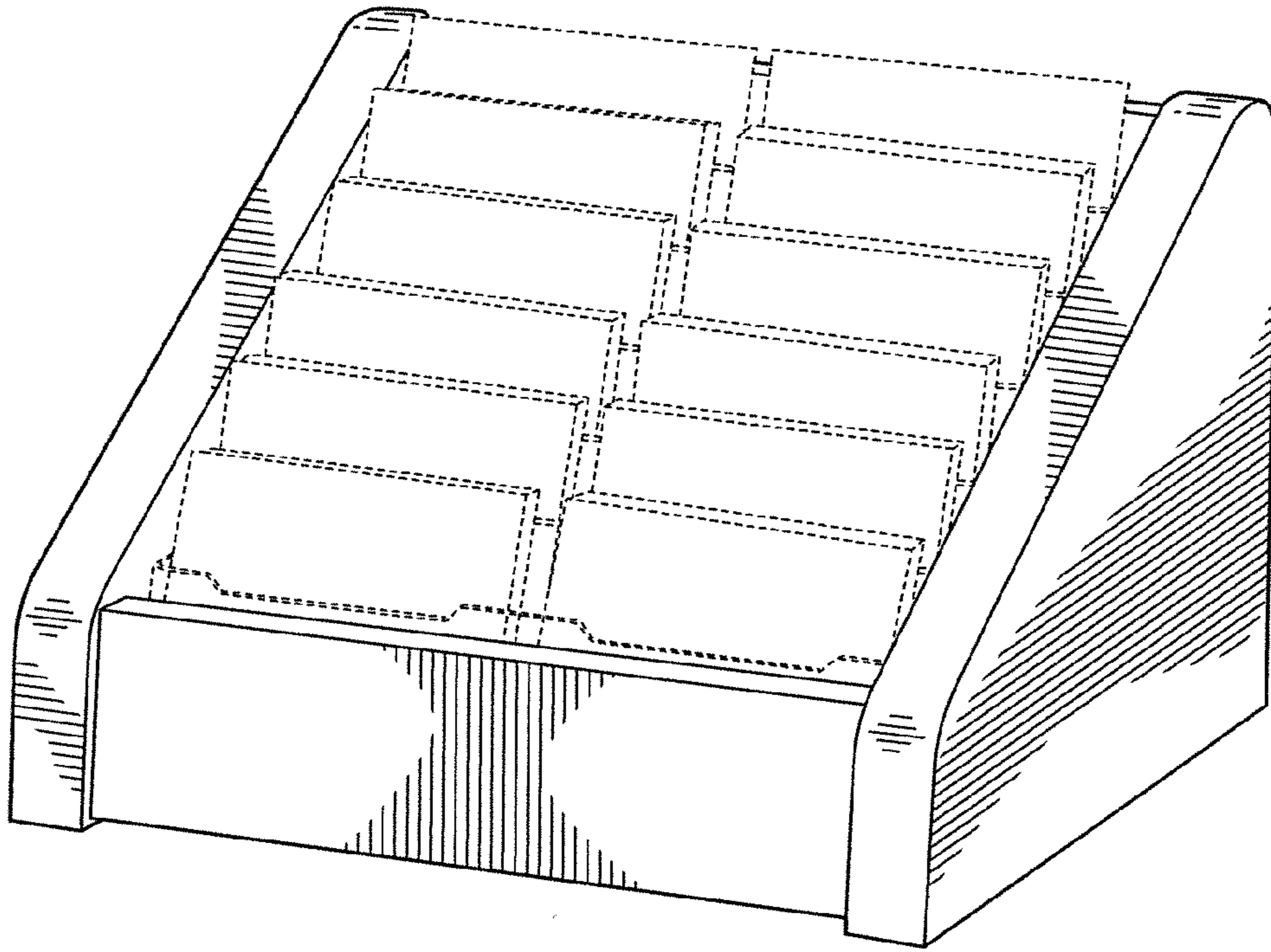


FIG. 13

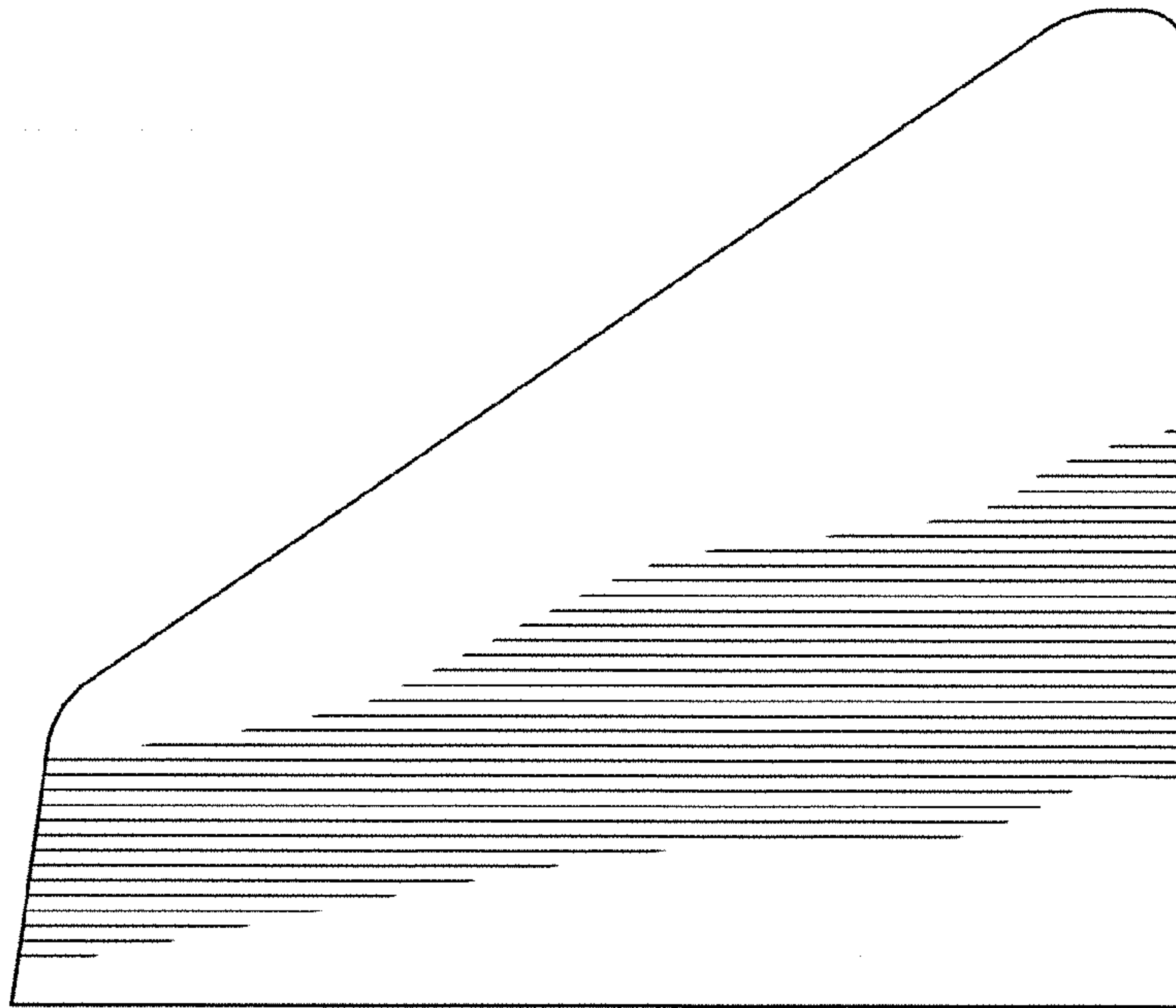


FIG. 14

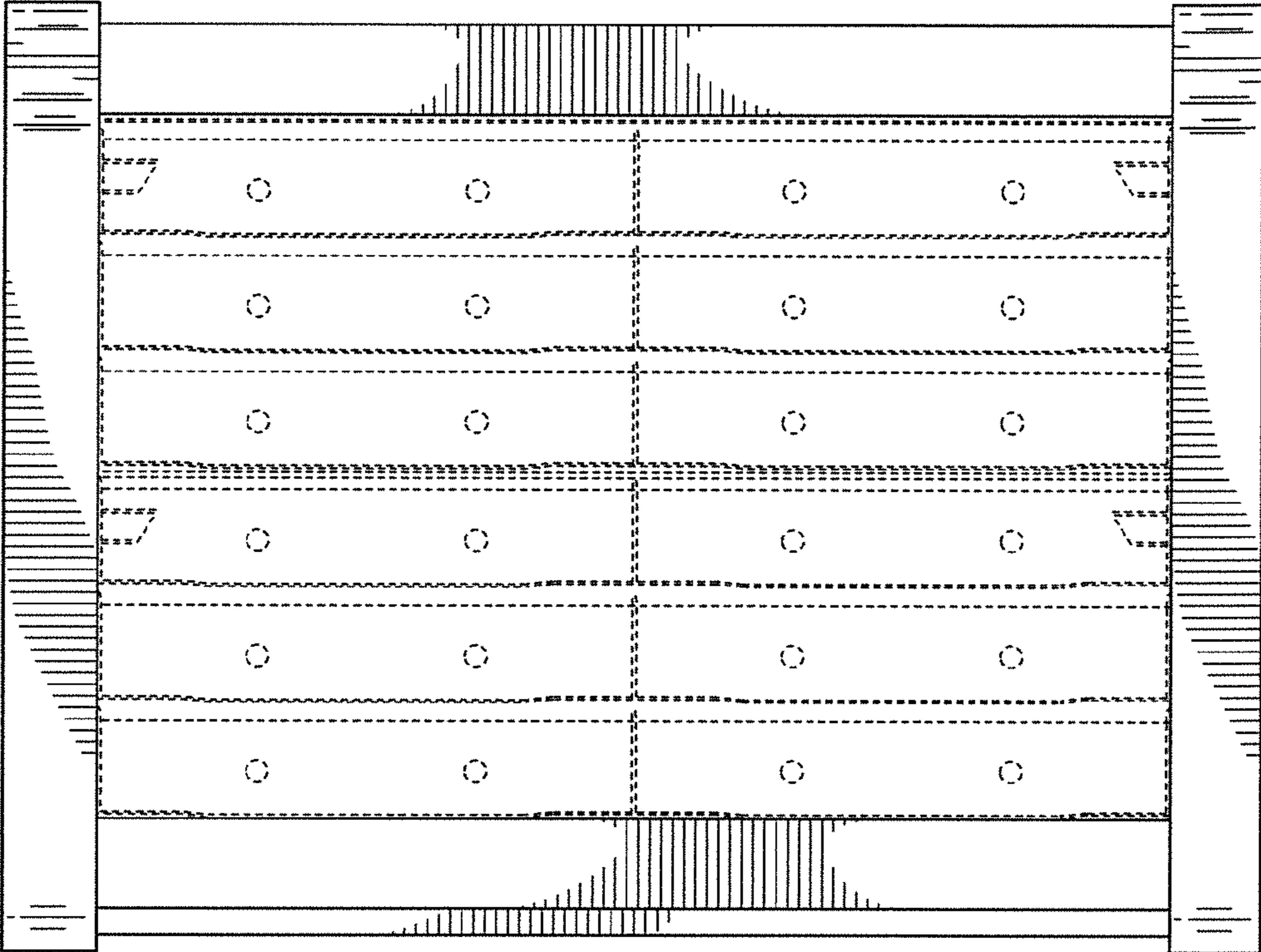


FIG. 15

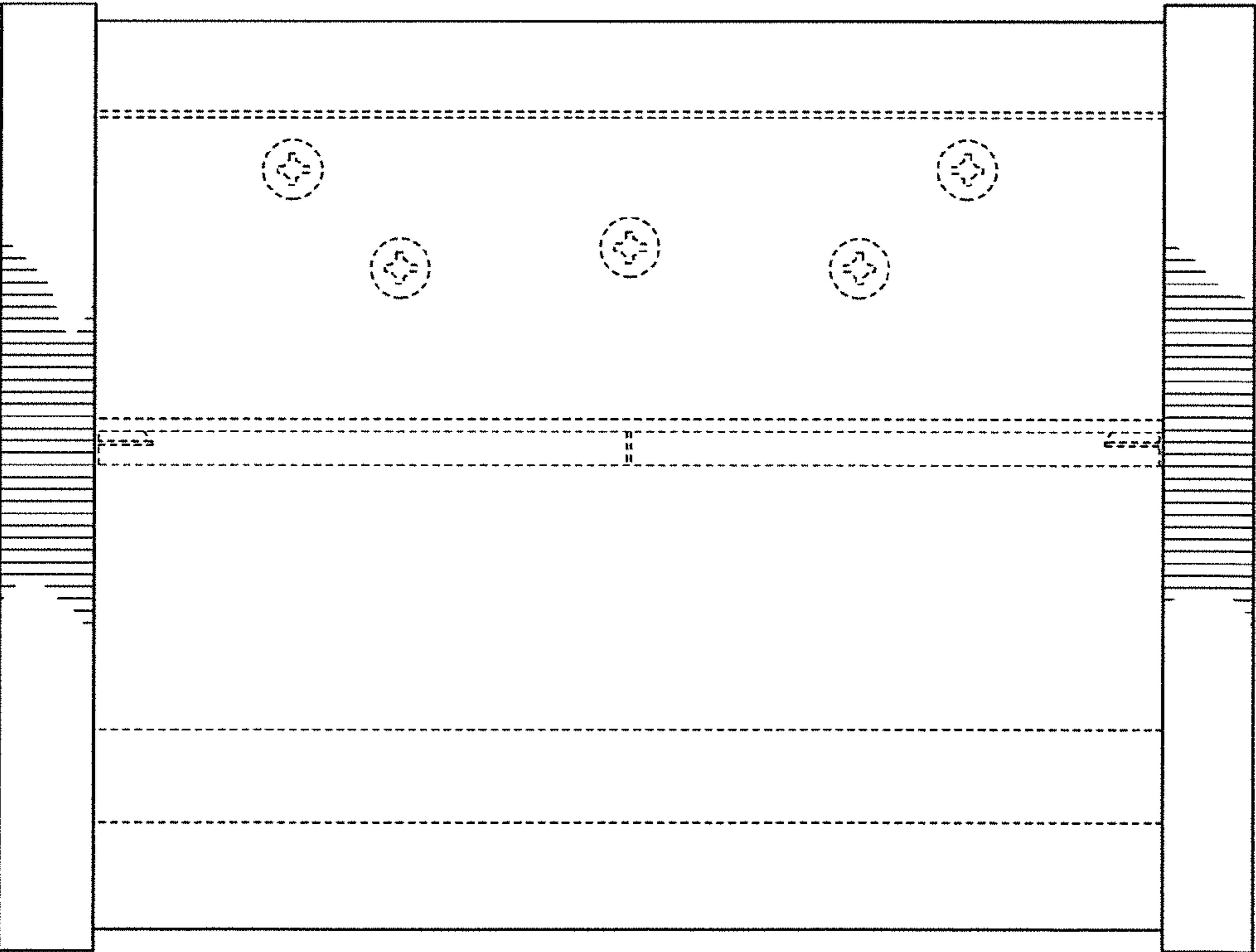


FIG. 16

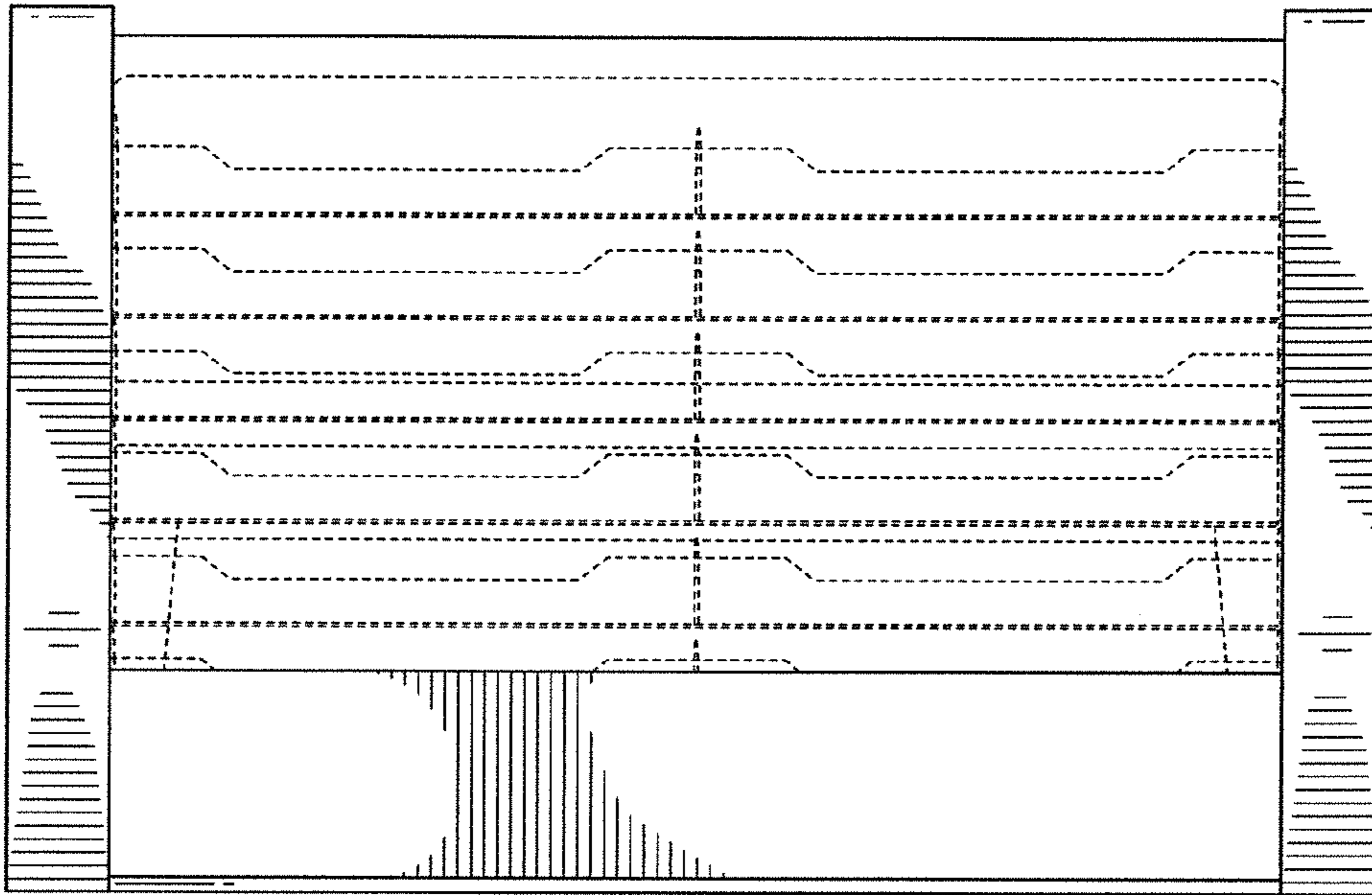


FIG. 17

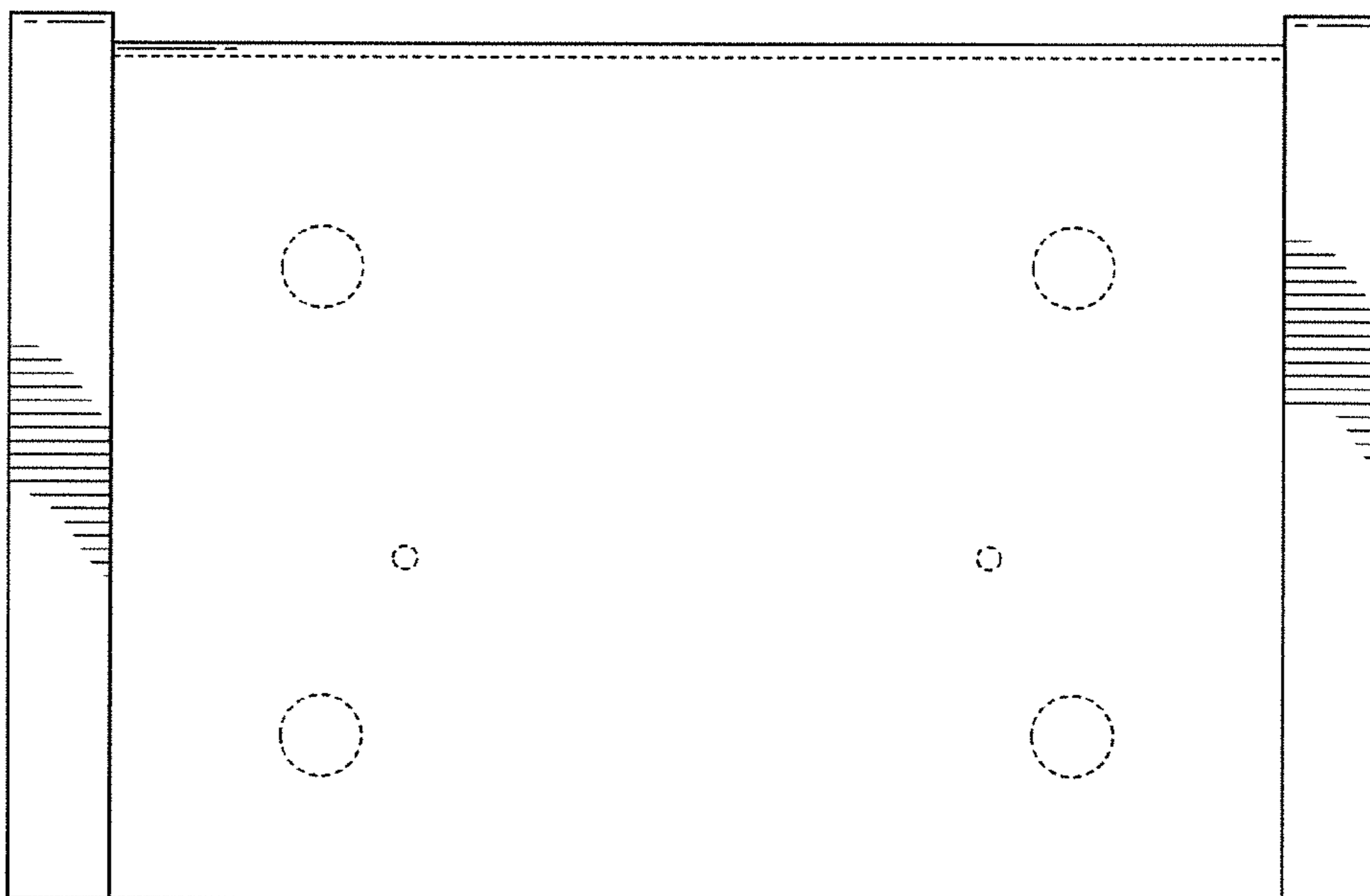


FIG. 18

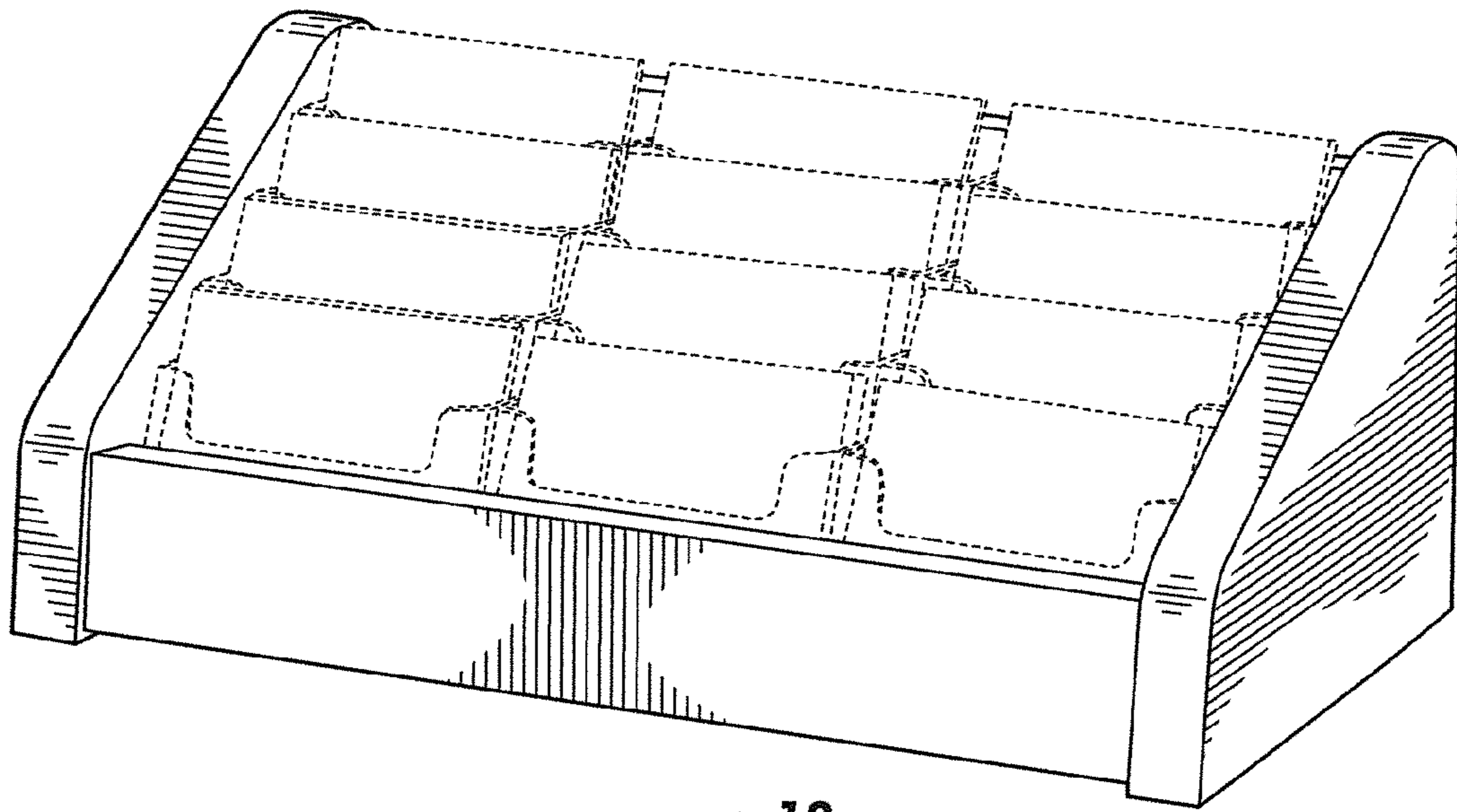


FIG. 19

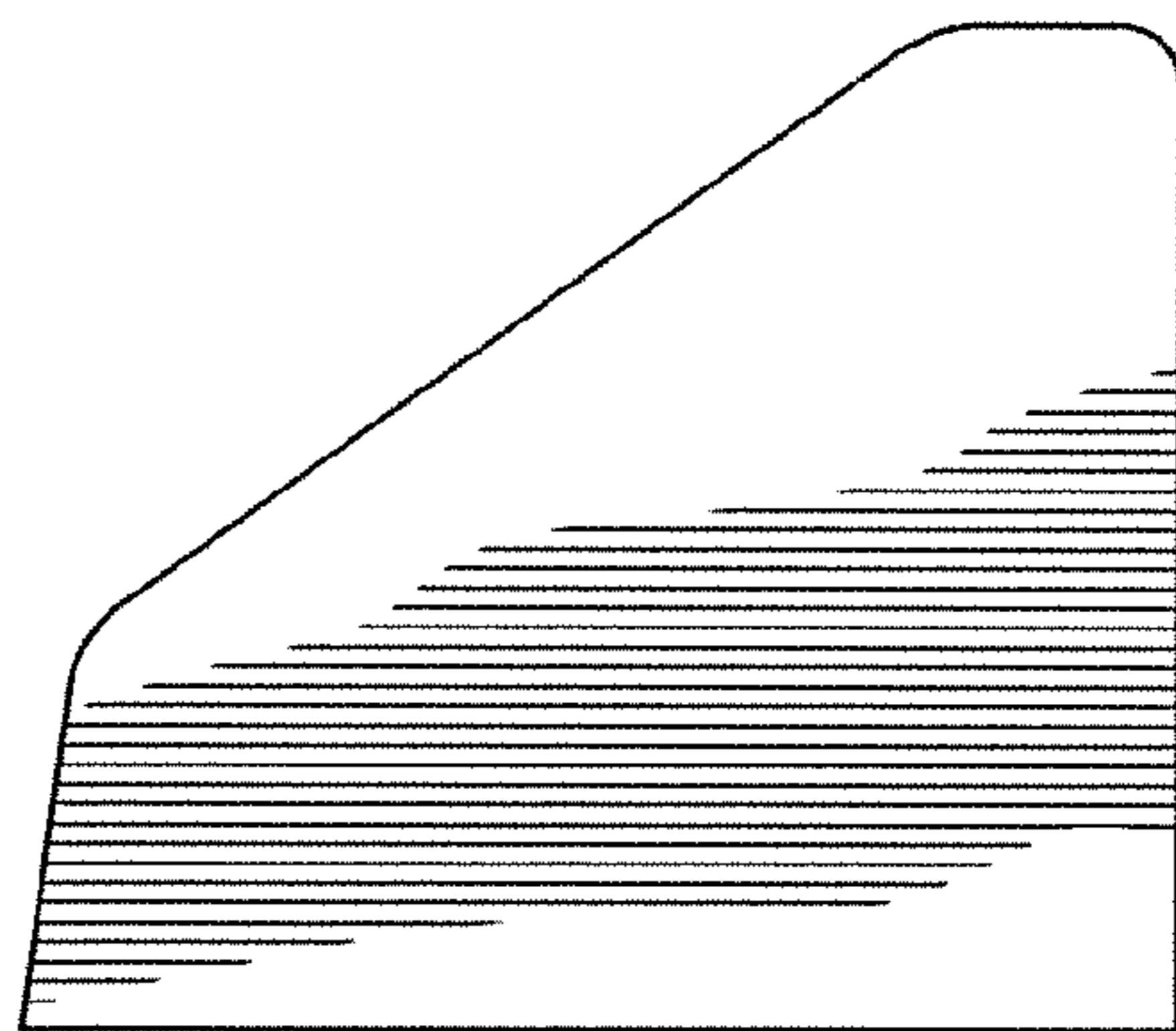


FIG. 20



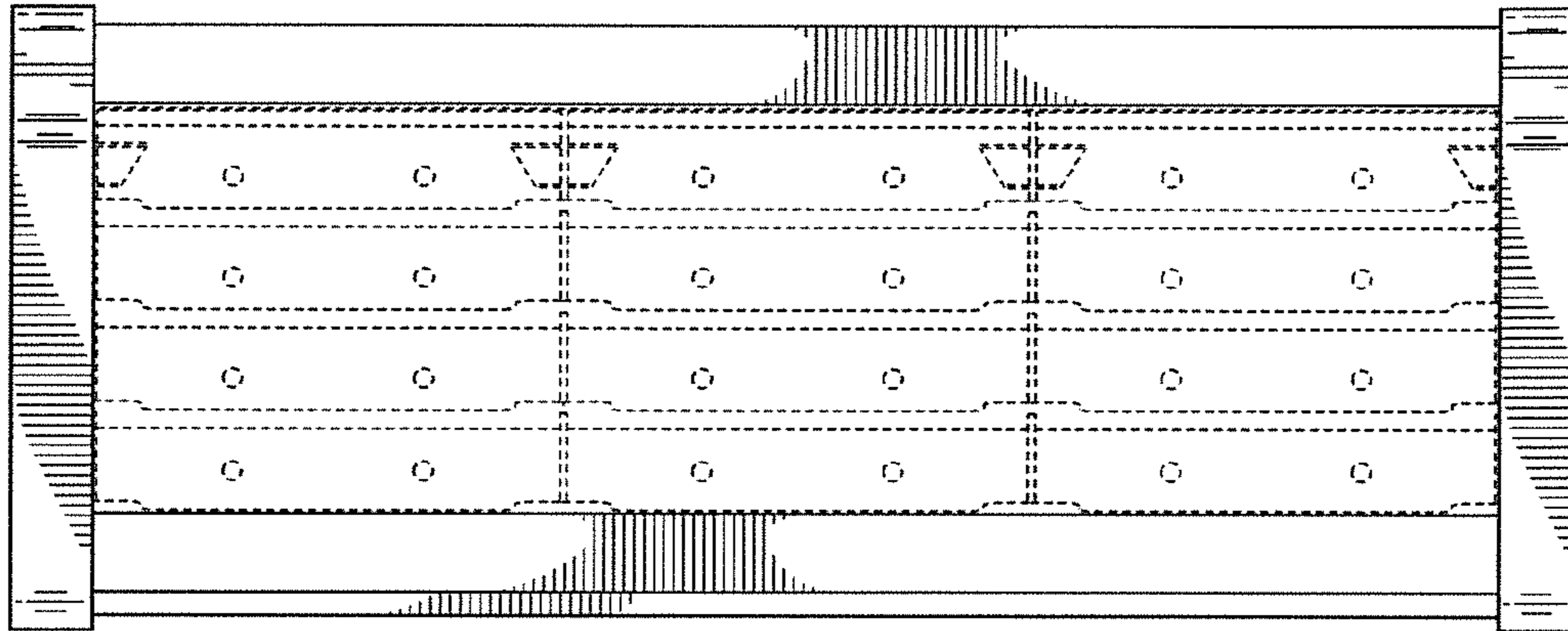


FIG. 21

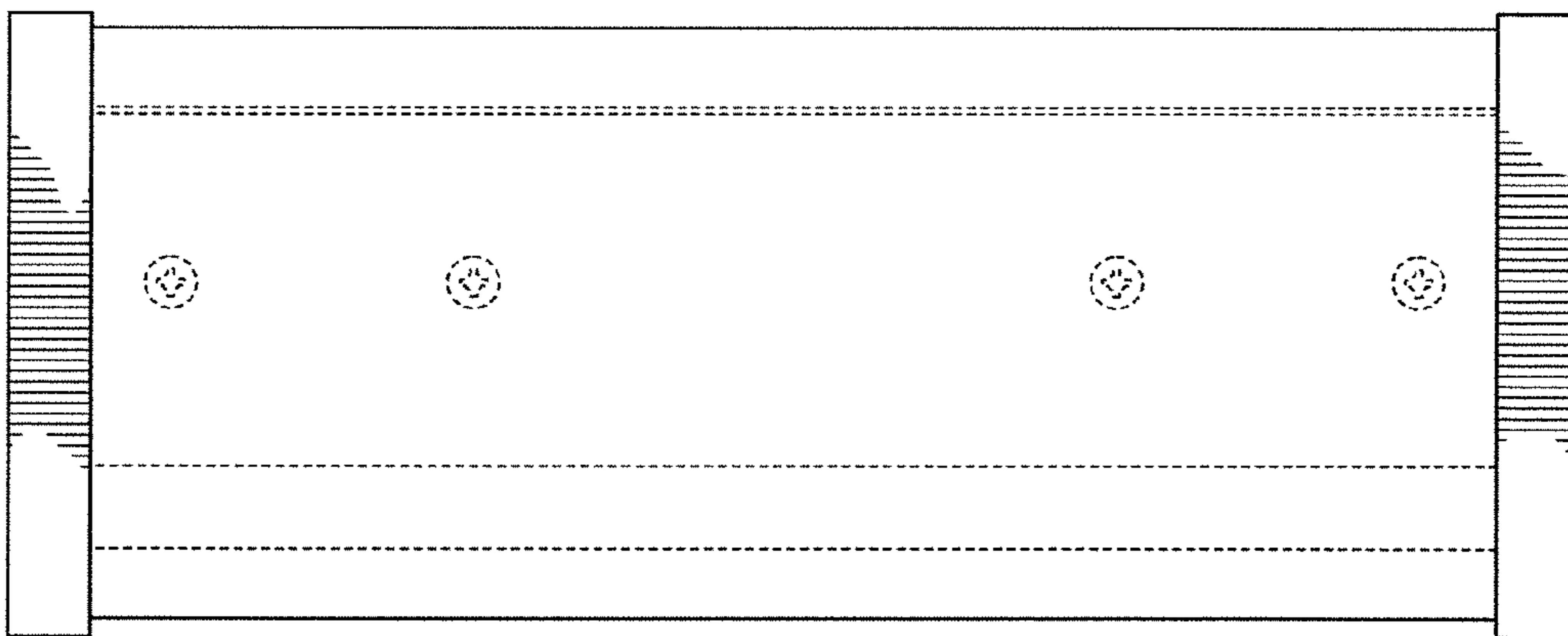


FIG. 22

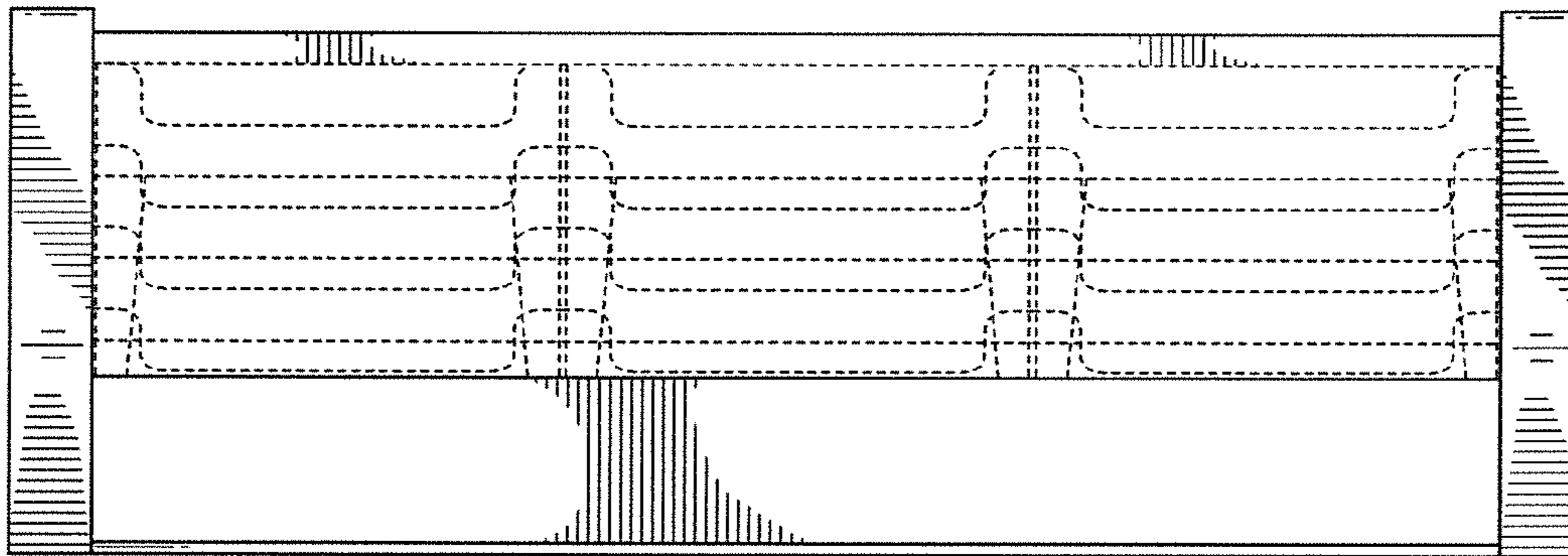


FIG. 23

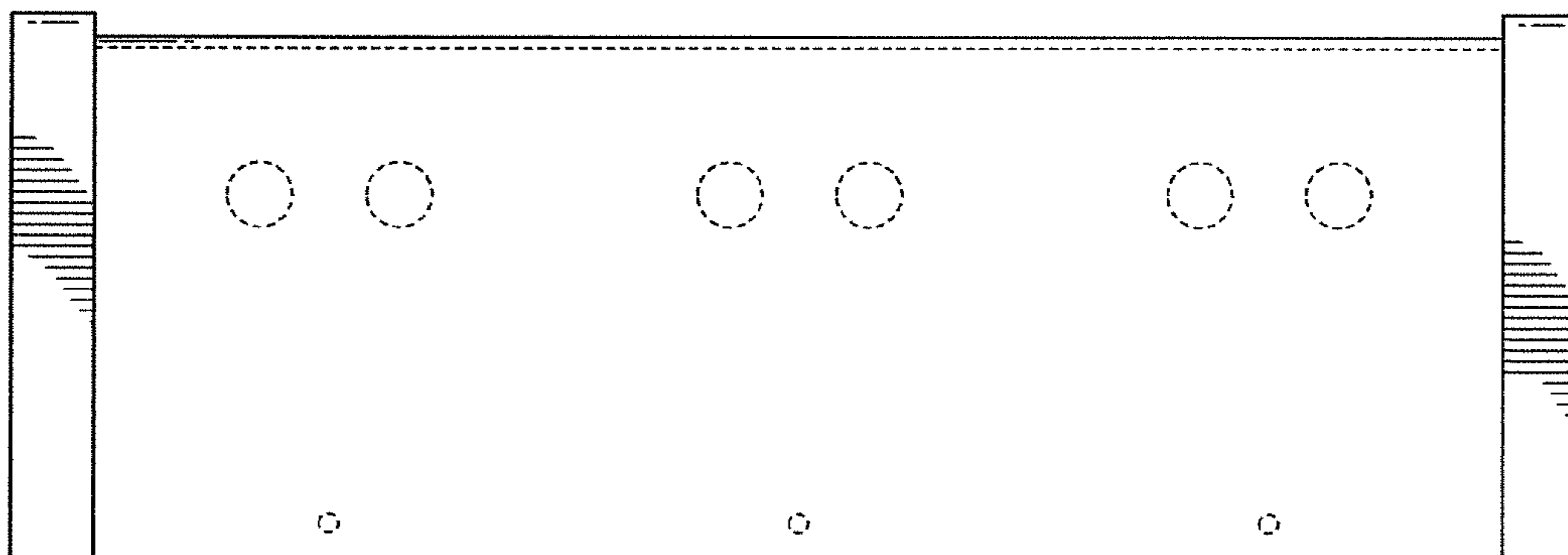


FIG. 24

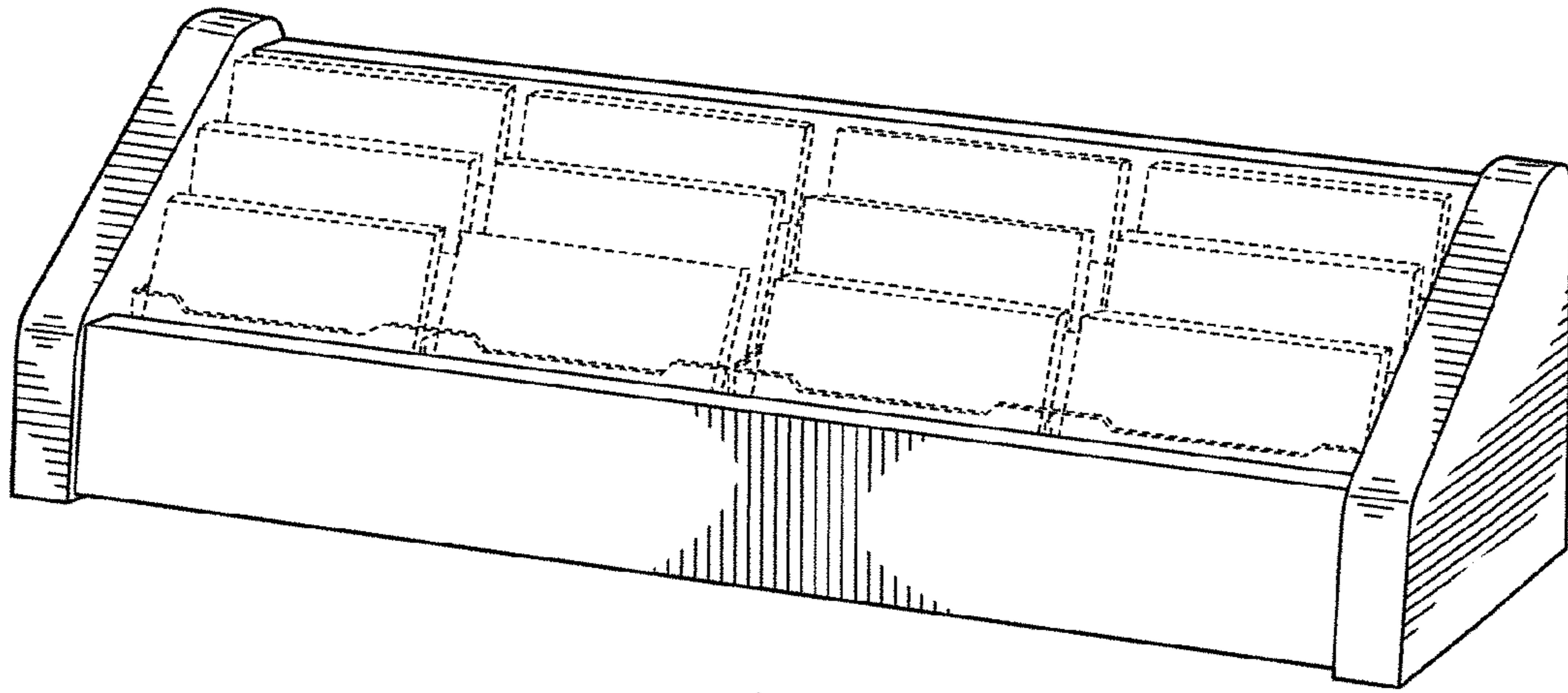


FIG. 25

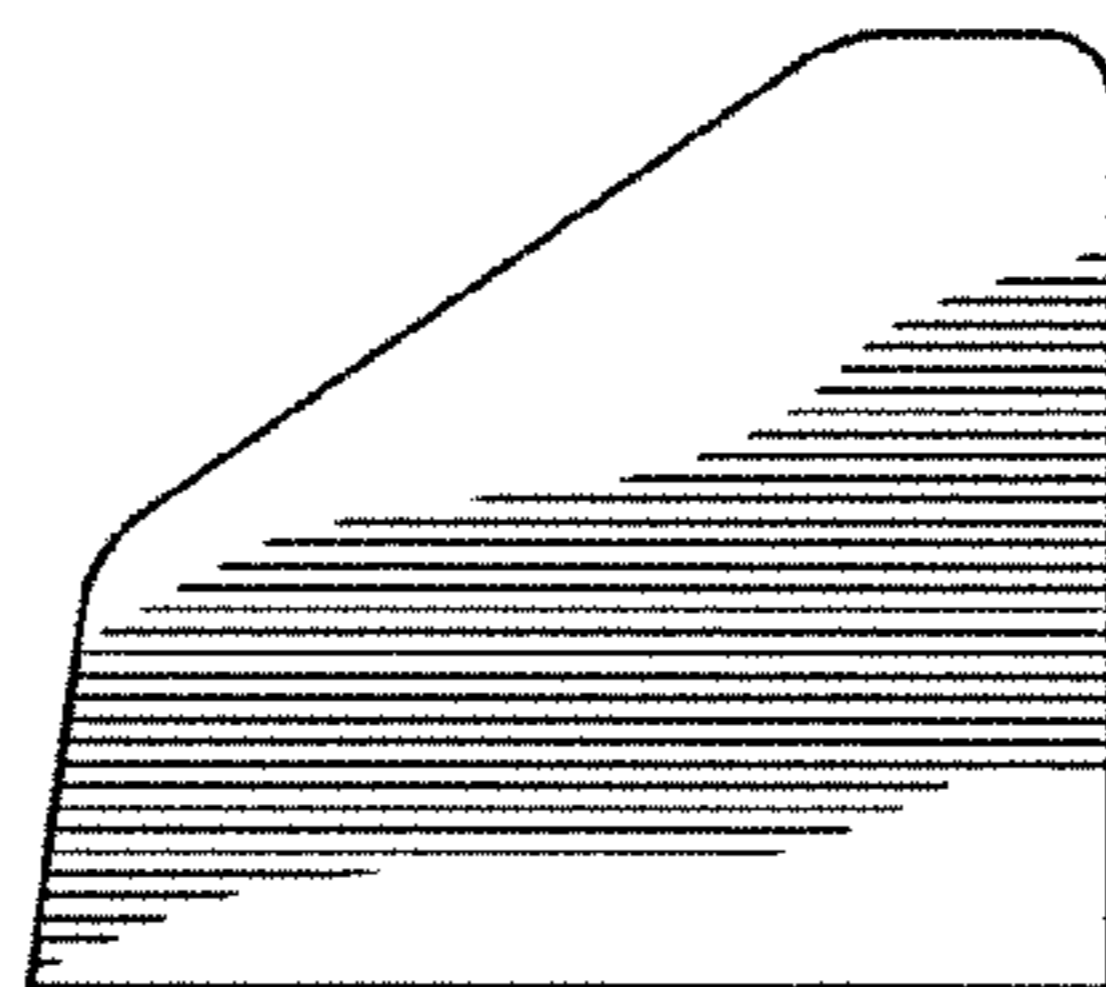


FIG. 26

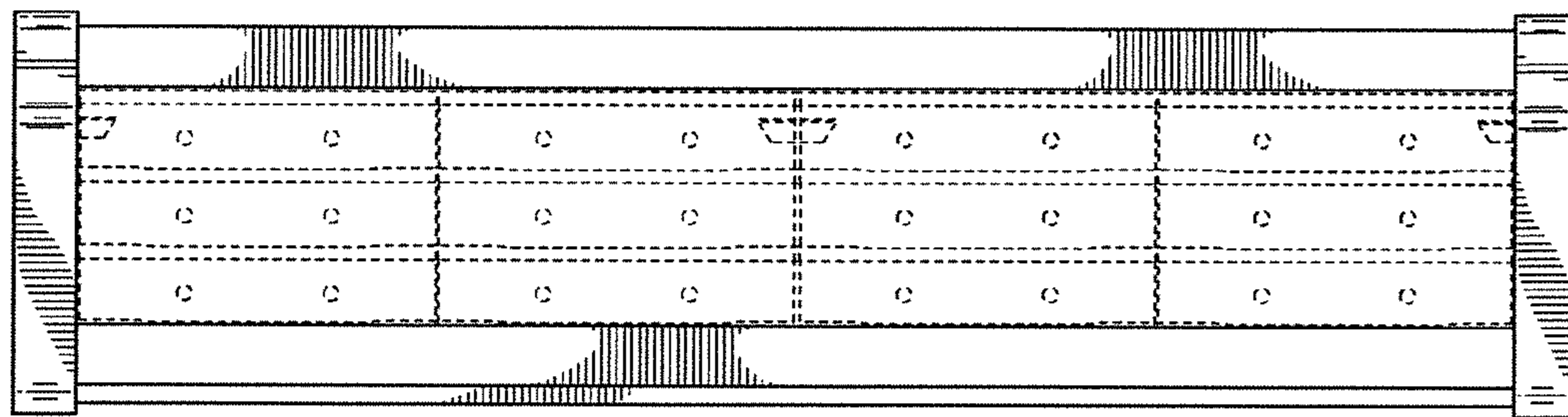


FIG. 27

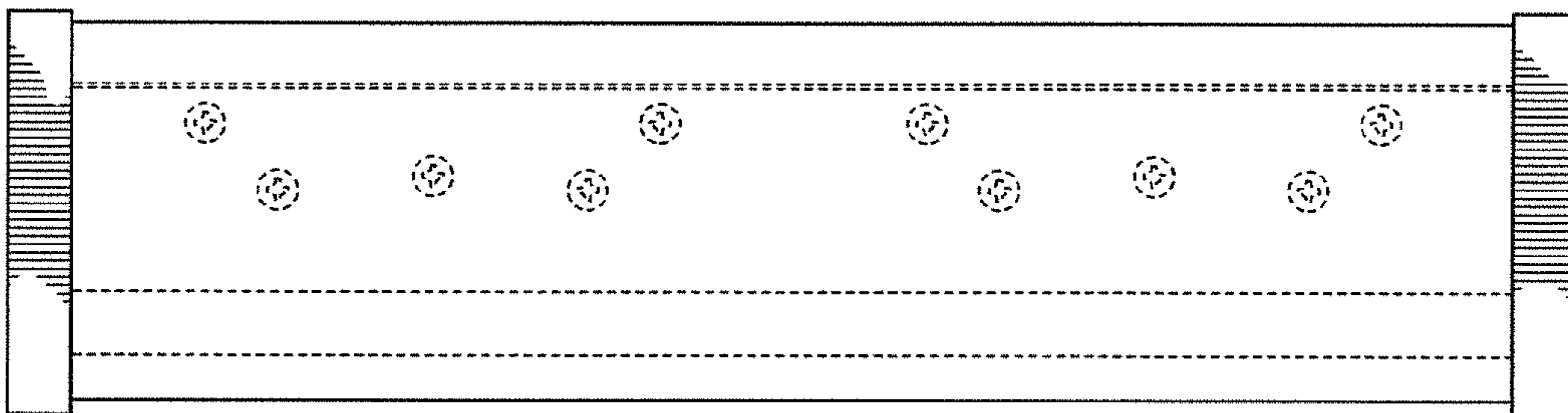


FIG. 28



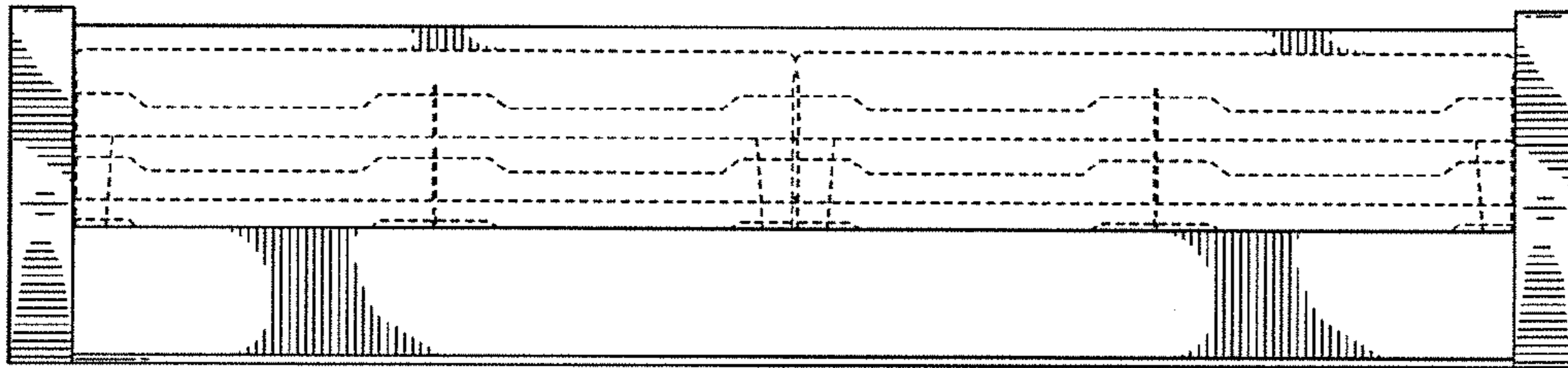


FIG. 29

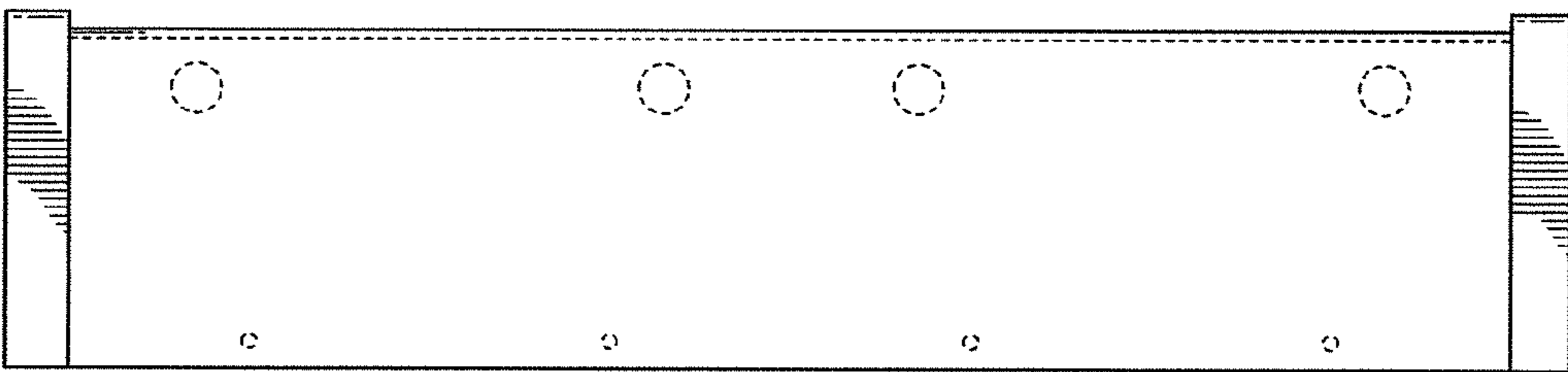


FIG. 30

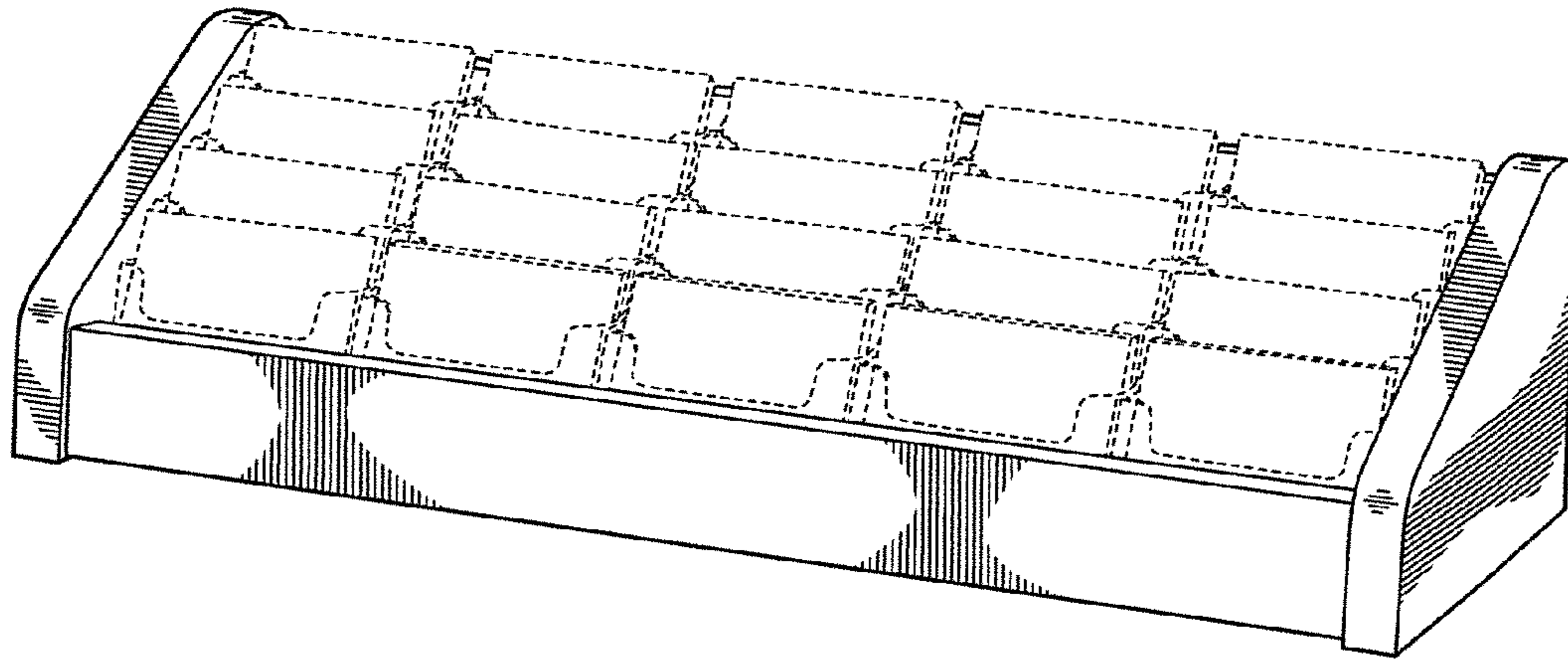


FIG. 31

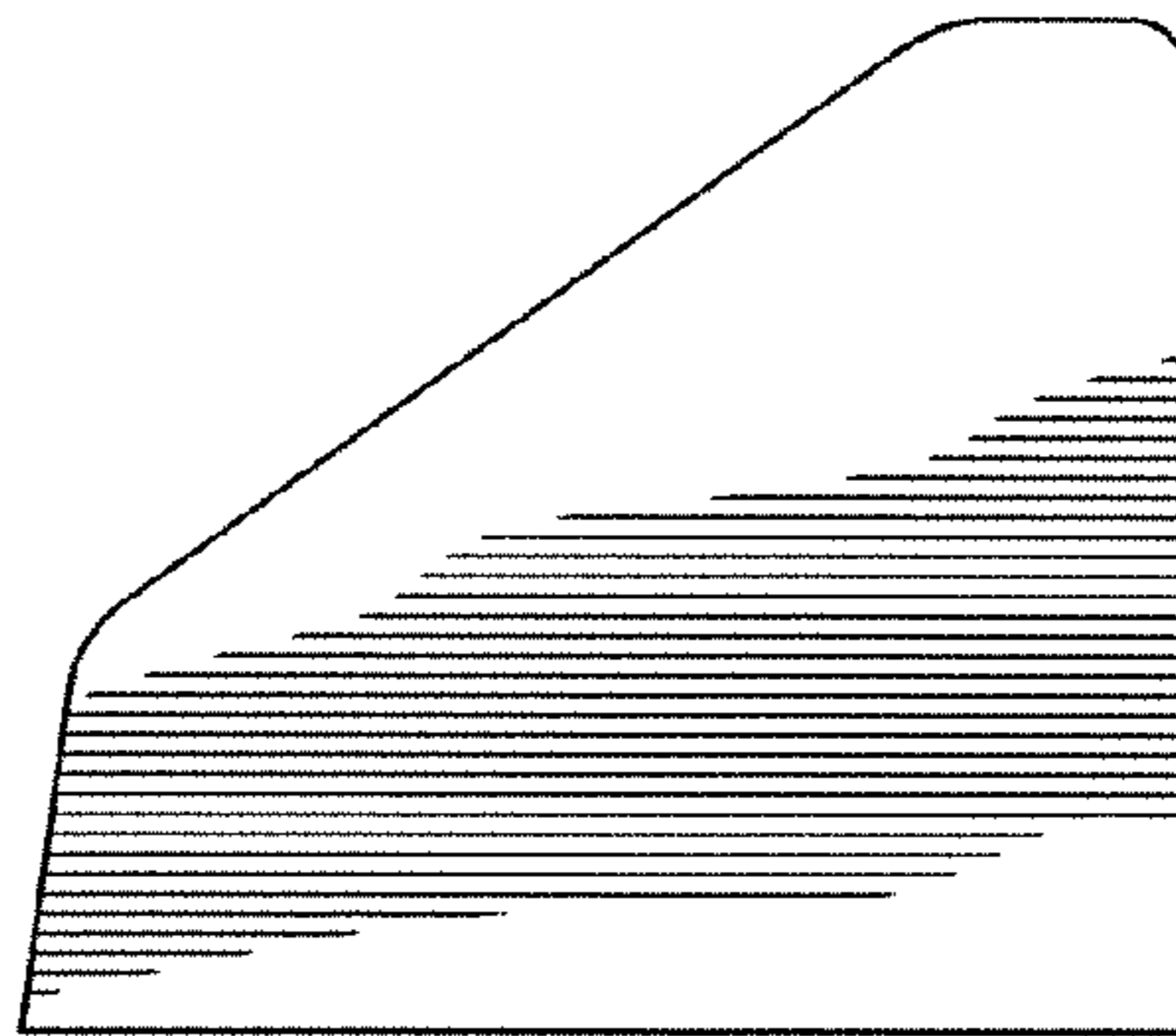


FIG. 32

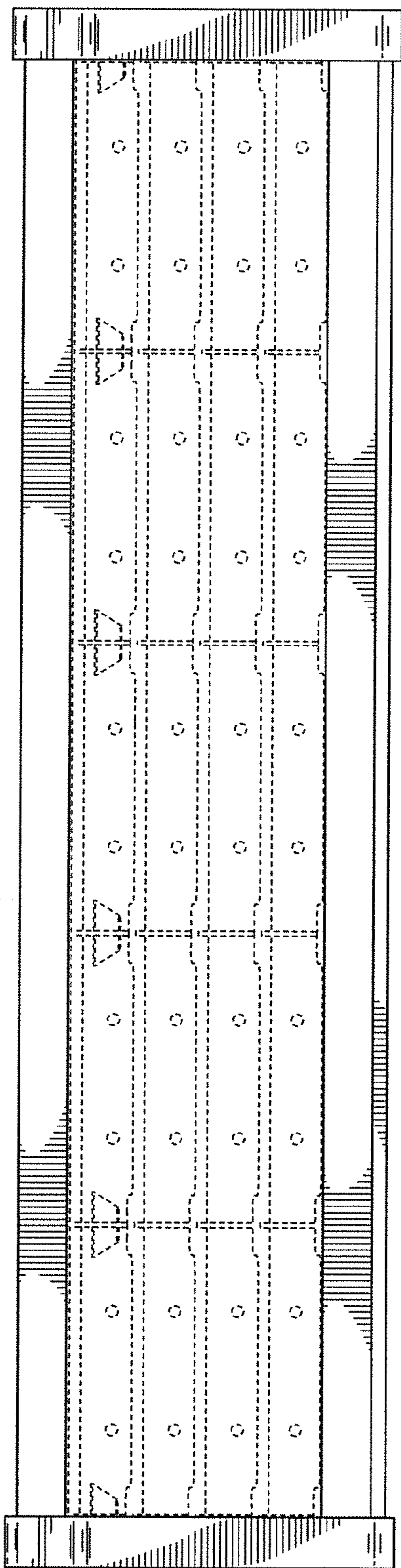


FIG. 33

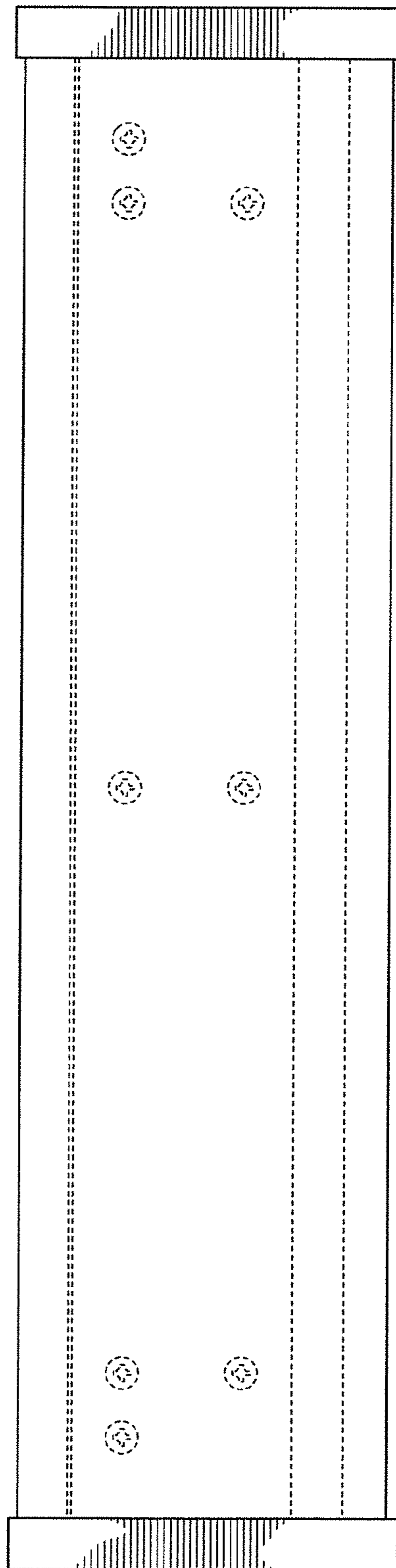


FIG. 34

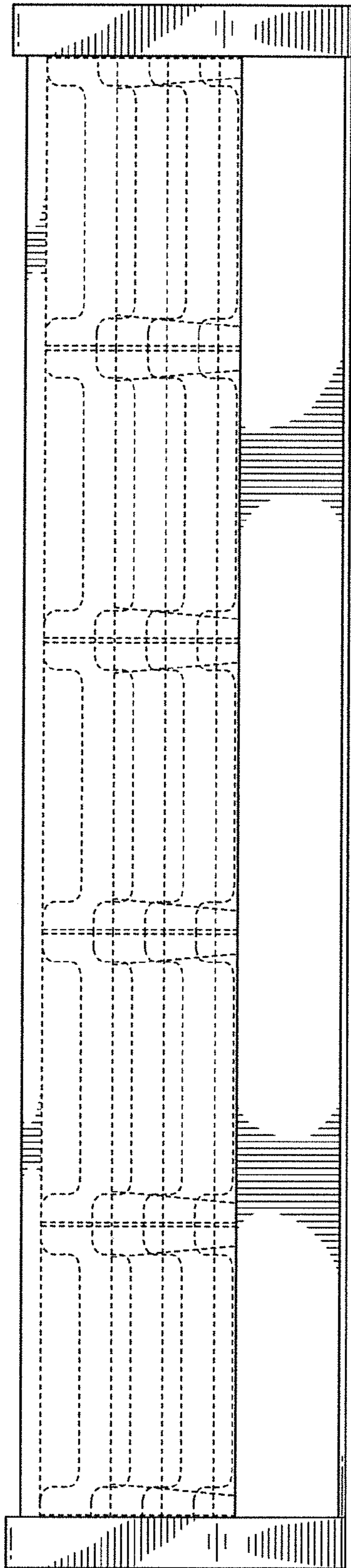


FIG. 35

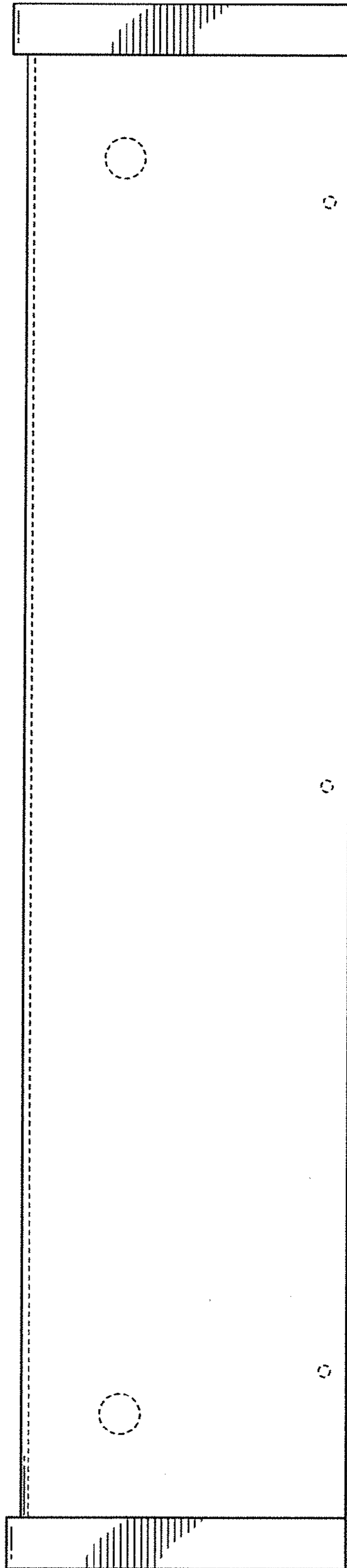


FIG. 36



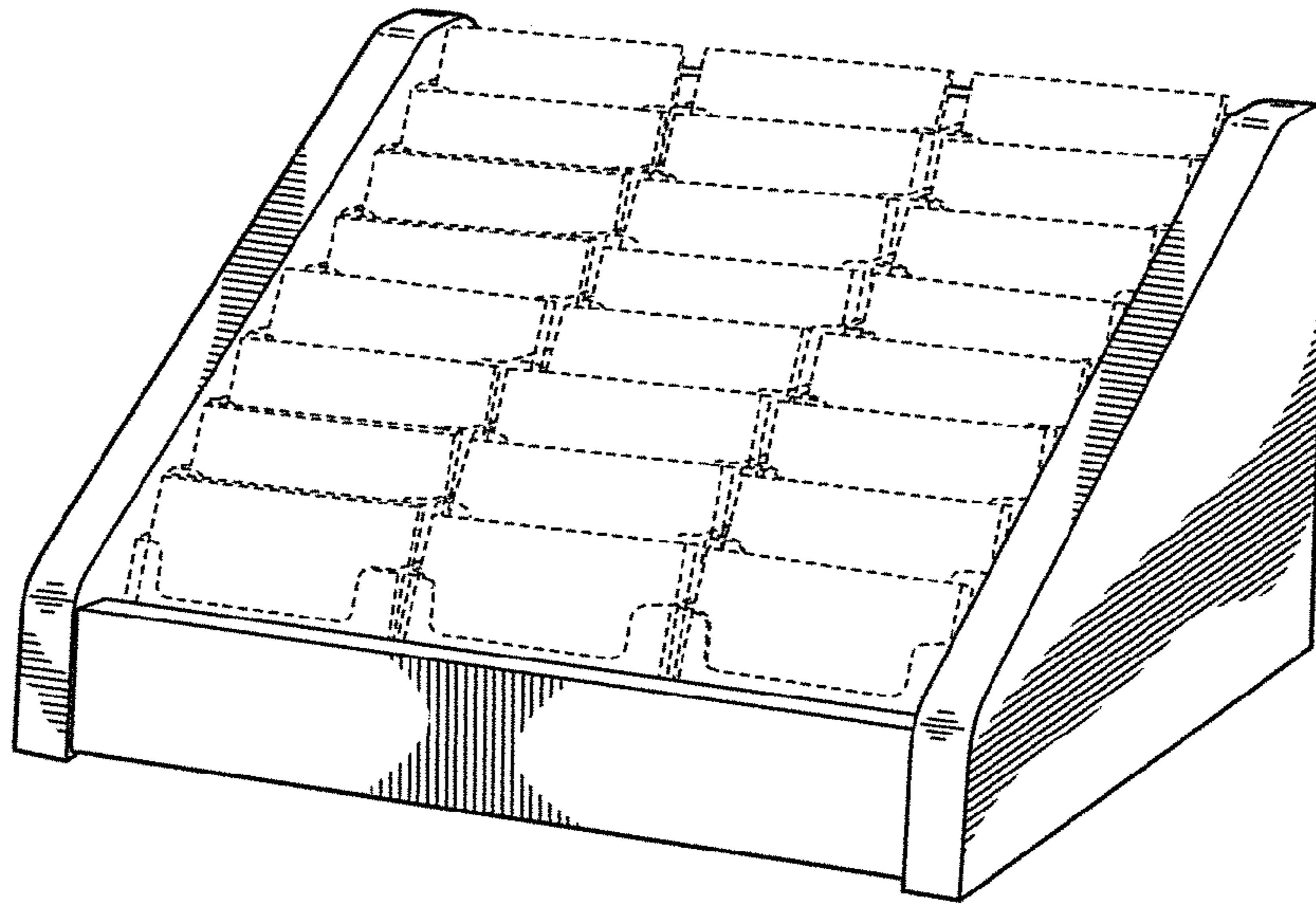


FIG. 37

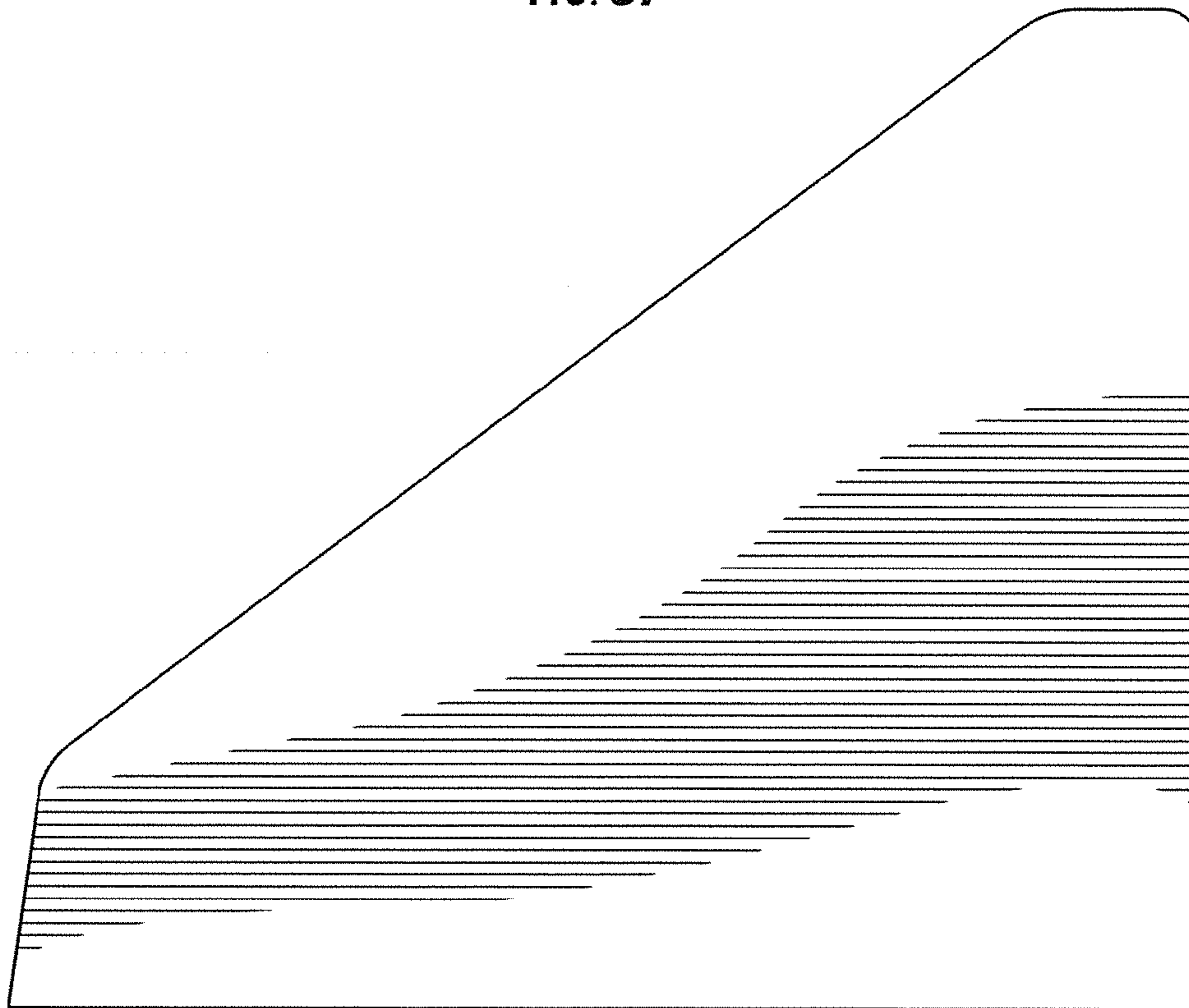


FIG. 38

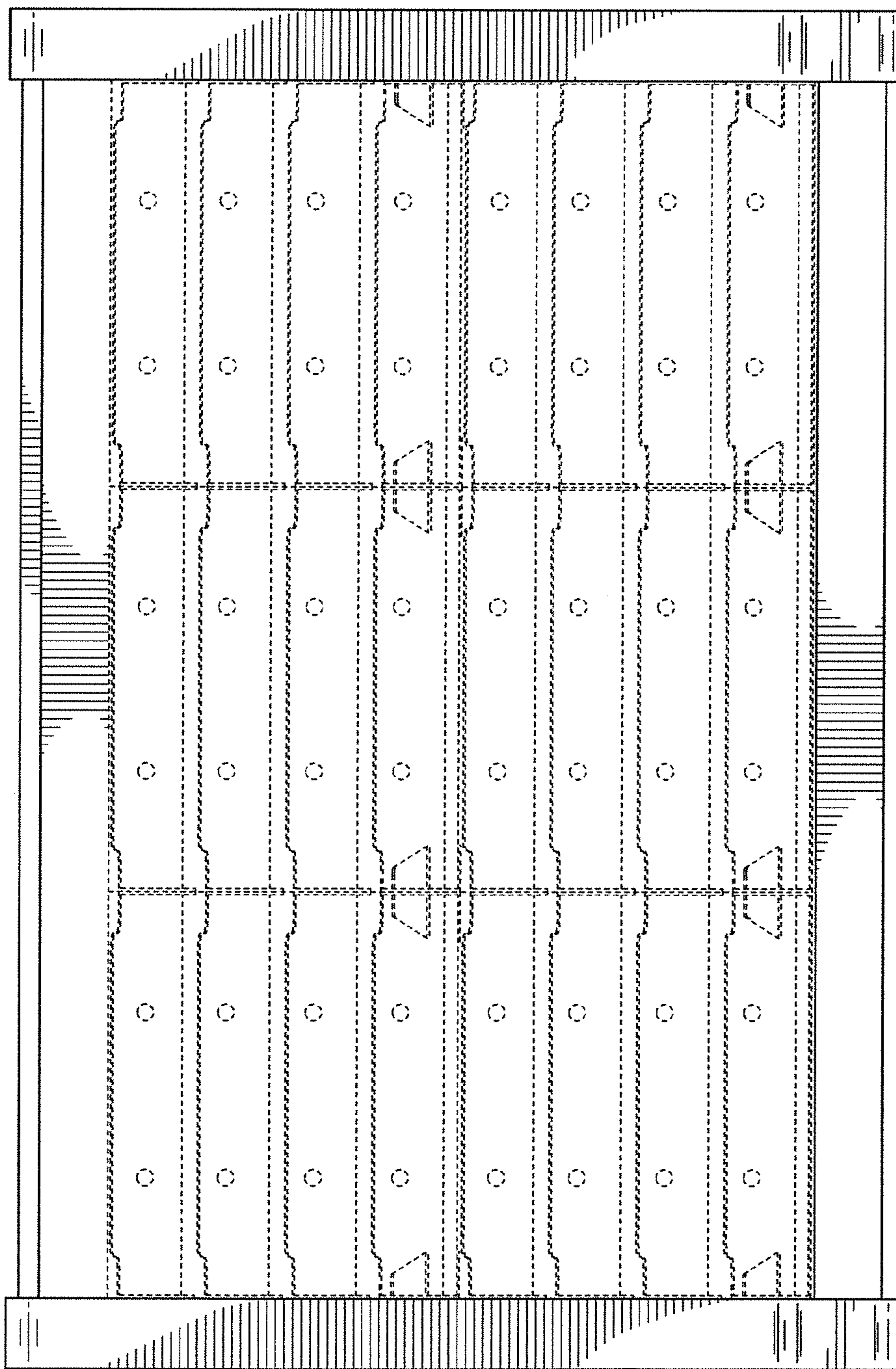


FIG. 39

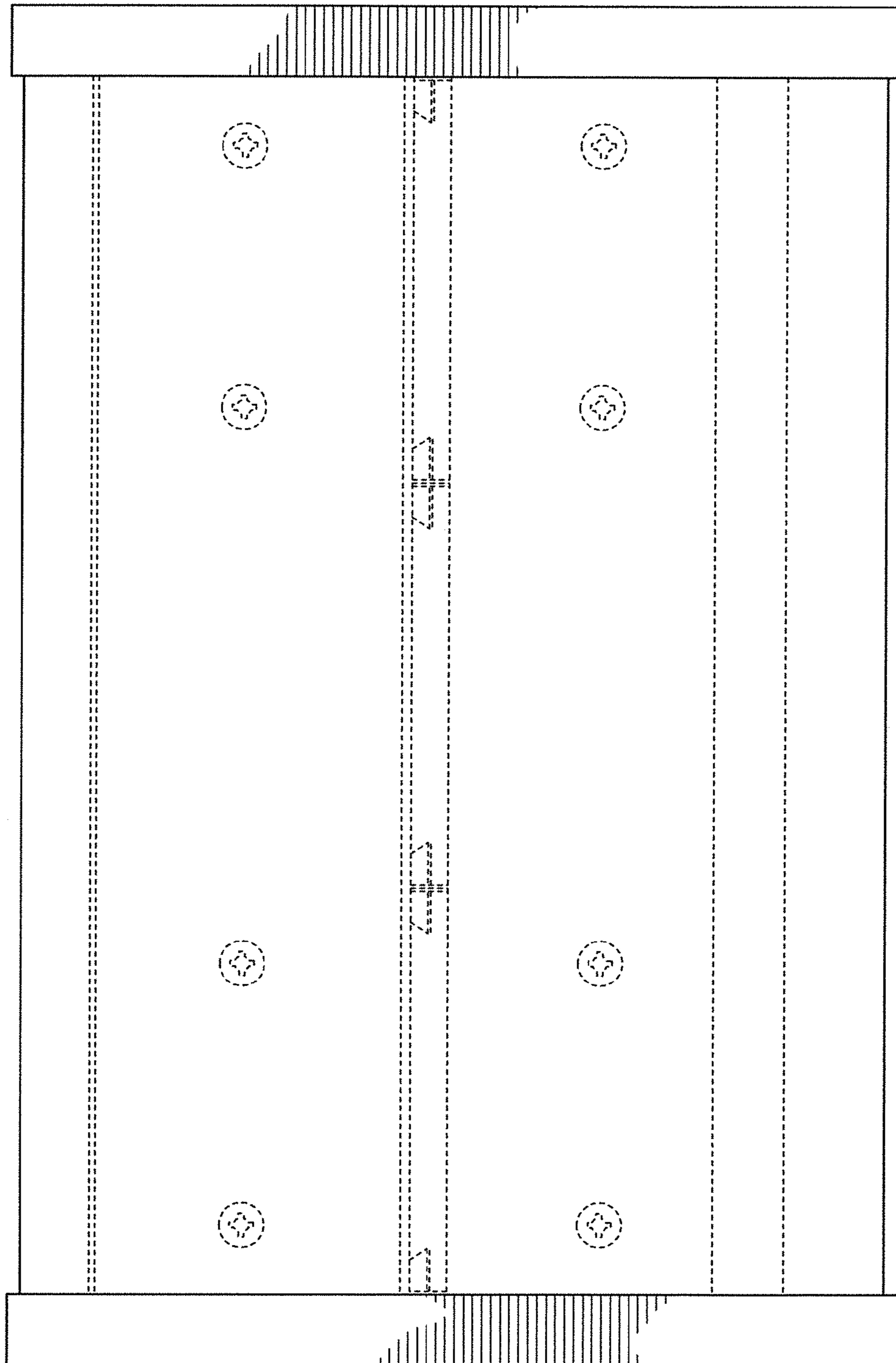


FIG. 40



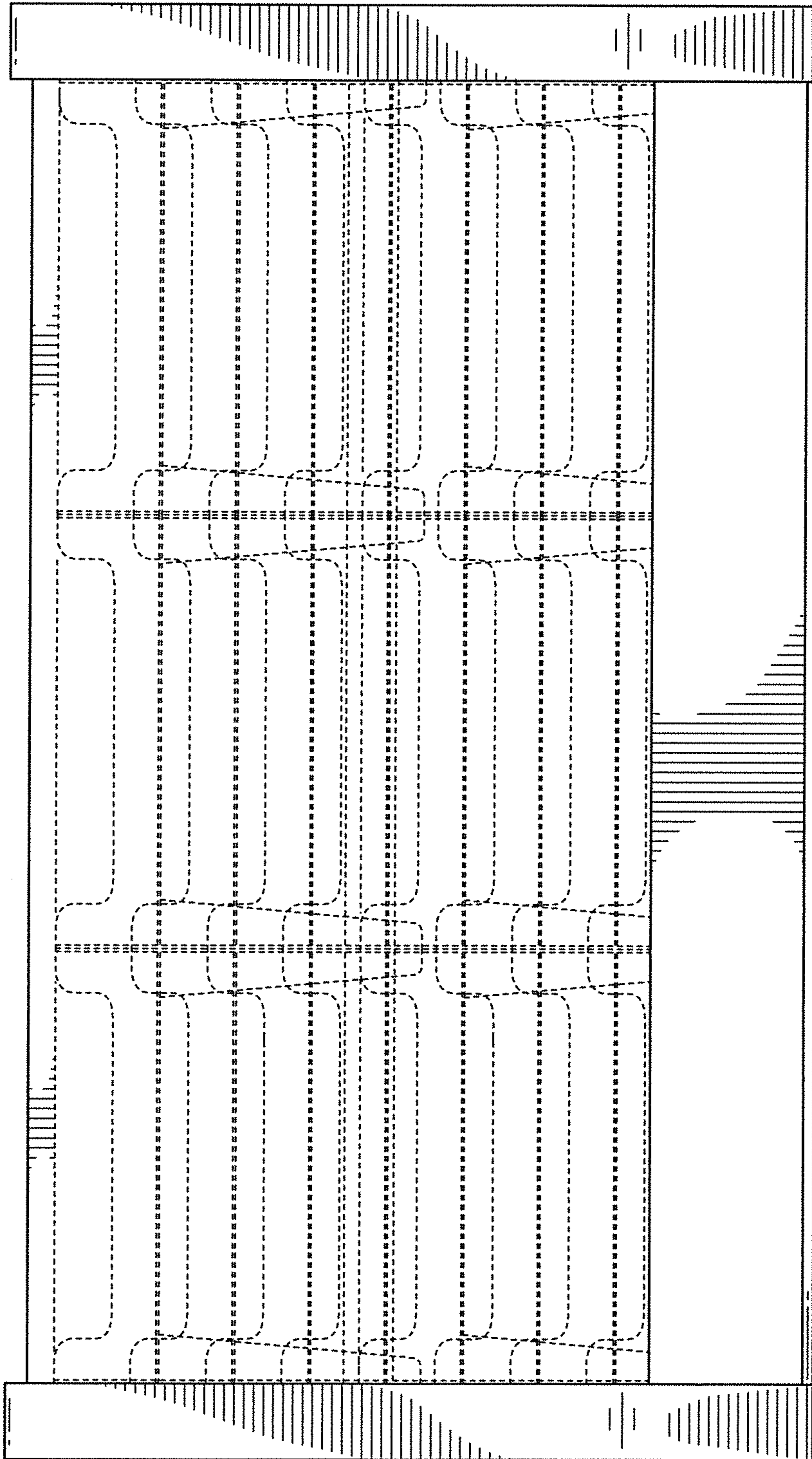


FIG. 41



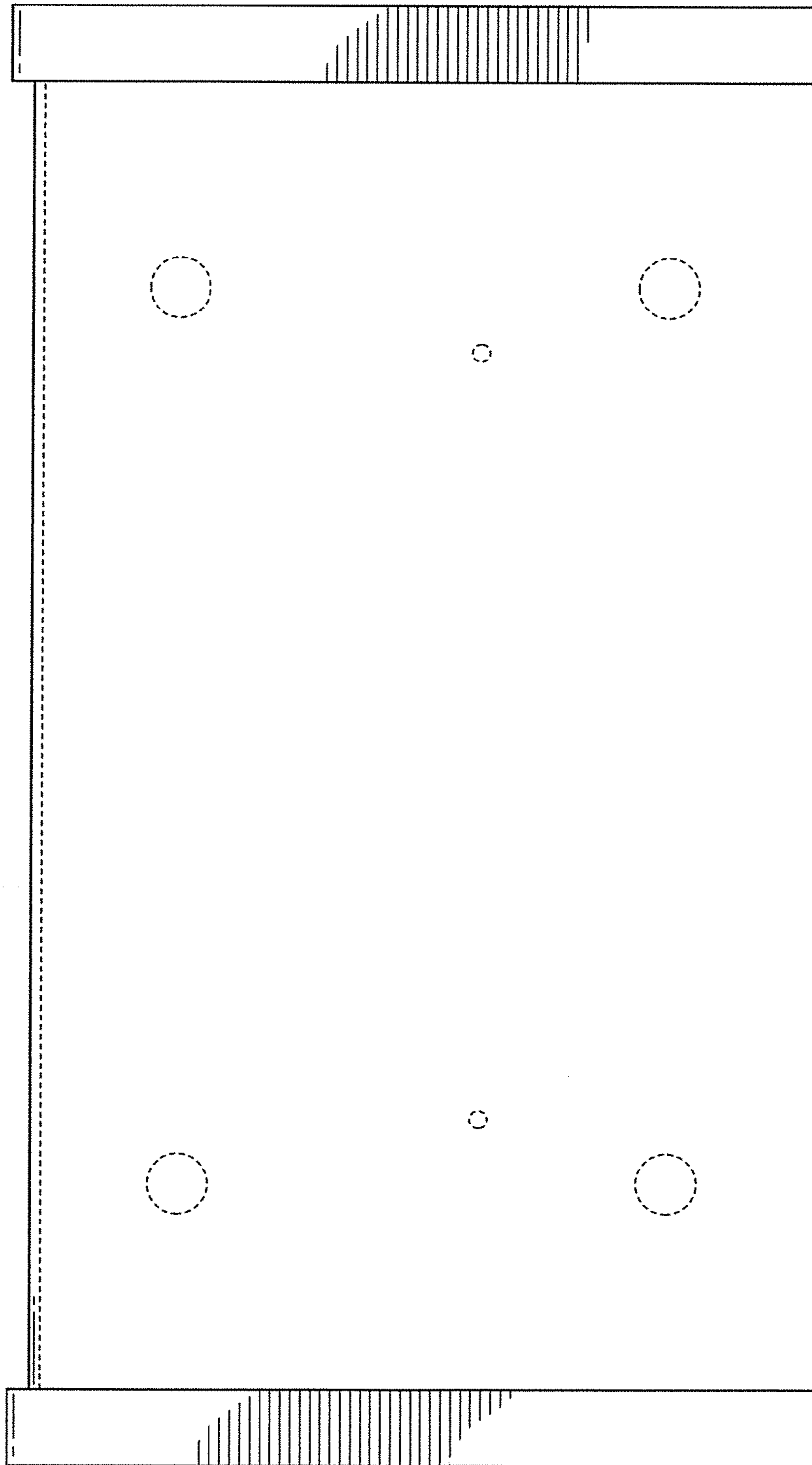


FIG. 42