



US00D703464S

(12) **United States Design Patent**  
**Koch**

(10) **Patent No.:** **US D703,464 S**  
(45) **Date of Patent:** **\*\* Apr. 29, 2014**

(54) **TOWEL CLIP**

(56) **References Cited**

(71) Applicant: **DW-Spritzgiesstechnik Dieter Wandelt, Inhaber Ulrich Koch e.K., Halver (DE)**

U.S. PATENT DOCUMENTS

(72) Inventor: **Ulrich Koch, Luedenscheid (DE)**

D298,711 S	*	11/1988	Lowance	.....	D6/547
D315,675 S	*	3/1991	Kennedy et al.	.....	D6/547
D429,586 S	*	8/2000	Holcomb	.....	D6/546
D543,753 S	*	6/2007	Gunderson	.....	D6/547
D575,088 S	*	8/2008	Saulnier	.....	D6/547
D603,636 S	*	11/2009	Germany	.....	D6/546

(73) Assignee: **DW-Spritzgiesstechnik Dieter Wandelt, Inhaber Ulrich Koch e.K., Halver (DE)**

\* cited by examiner

(\*\*) Term: **14 Years**

*Primary Examiner* — Brian N Vinson

(21) Appl. No.: **29/456,908**

(74) *Attorney, Agent, or Firm* — Collard & Roe, P.C.

(22) Filed: **Jun. 5, 2013**

(57) **CLAIM**

The ornamental design for a towel clip, as shown and described.

(30) **Foreign Application Priority Data**

**DESCRIPTION**

Dec. 7, 2012 (EM) ..... 002149146

(51) **LOC (10) Cl.** ..... **06-04**

(52) **U.S. Cl.**  
USPC ..... **D6/546**

(58) **Field of Classification Search**  
USPC ..... D6/546-550; 211/13.1, 16, 60.1, 86.01,  
211/87.01, 88.04, 105.1, 105.2, 106, 181.1;  
248/205.1, 214, 251-254, 261, 302,  
248/304, 305.1; D3/205, 215

FIG. 1 is a rear and left side perspective view of my design for a towel clip

FIG. 2 is a front and right side perspective view thereof;

FIG. 3 is a right side view, with the left side view being a mirror image thereof;

FIG. 4 is a rear view thereof;

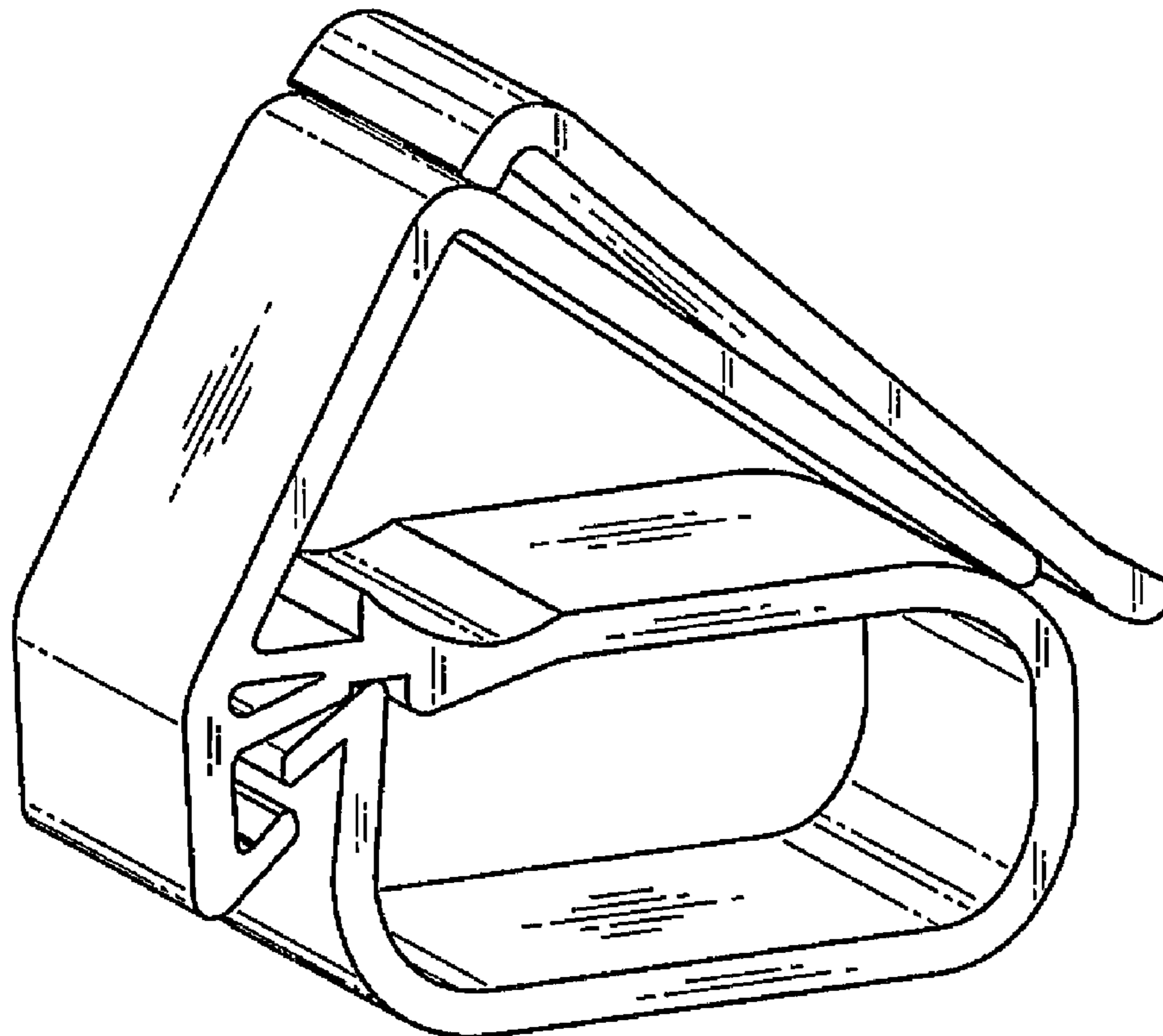
FIG. 5 is a front view thereof;

FIG. 6 is a top view thereof; and,

FIG. 7 is a bottom view thereof.

See application file for complete search history.

**1 Claim, 3 Drawing Sheets**



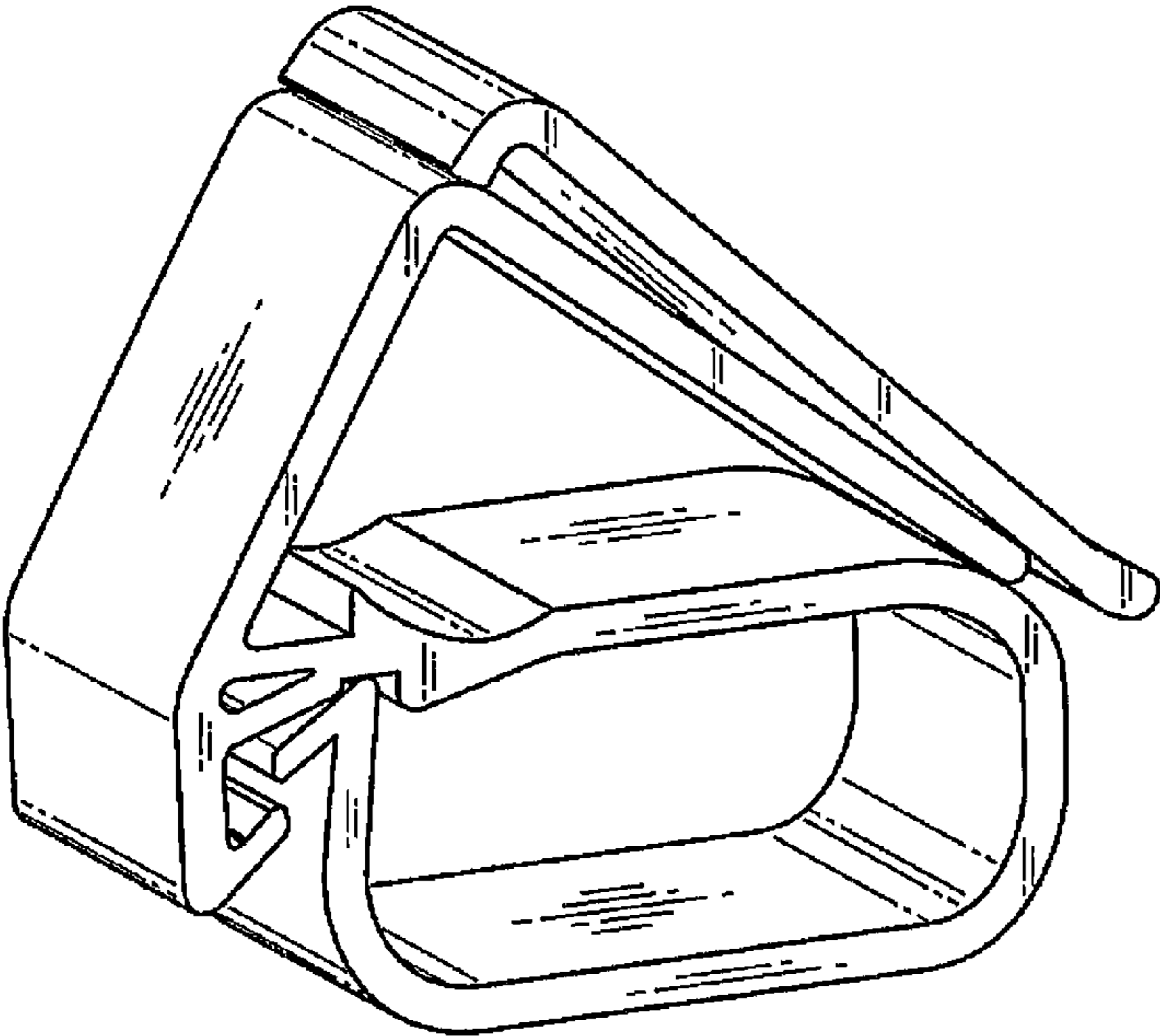


FIG. 1

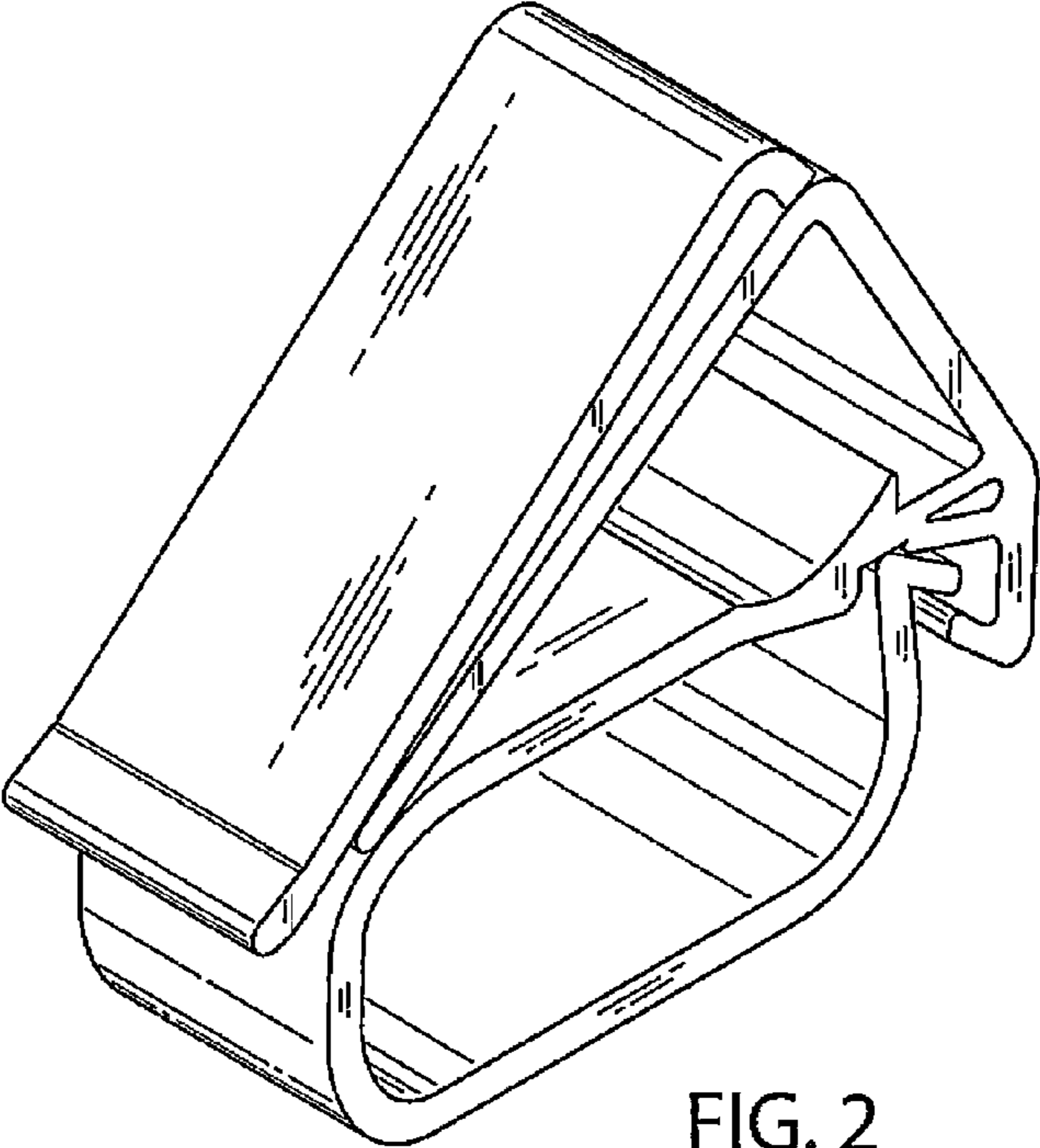


FIG. 2

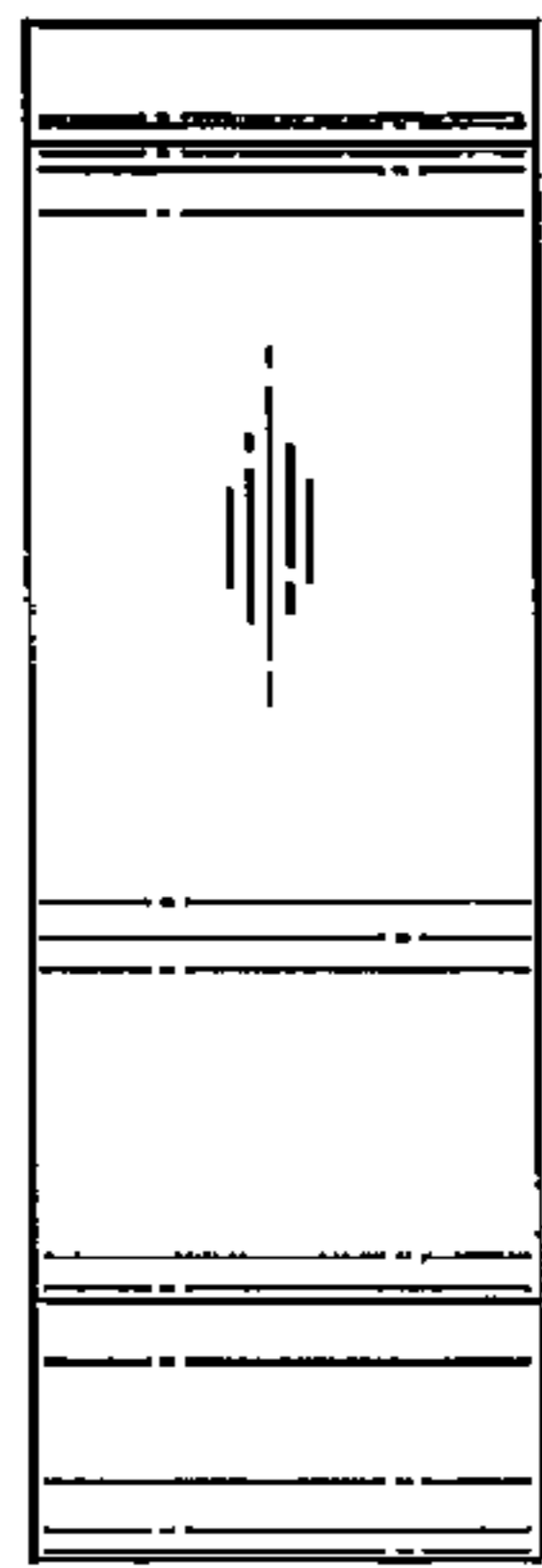


FIG. 4

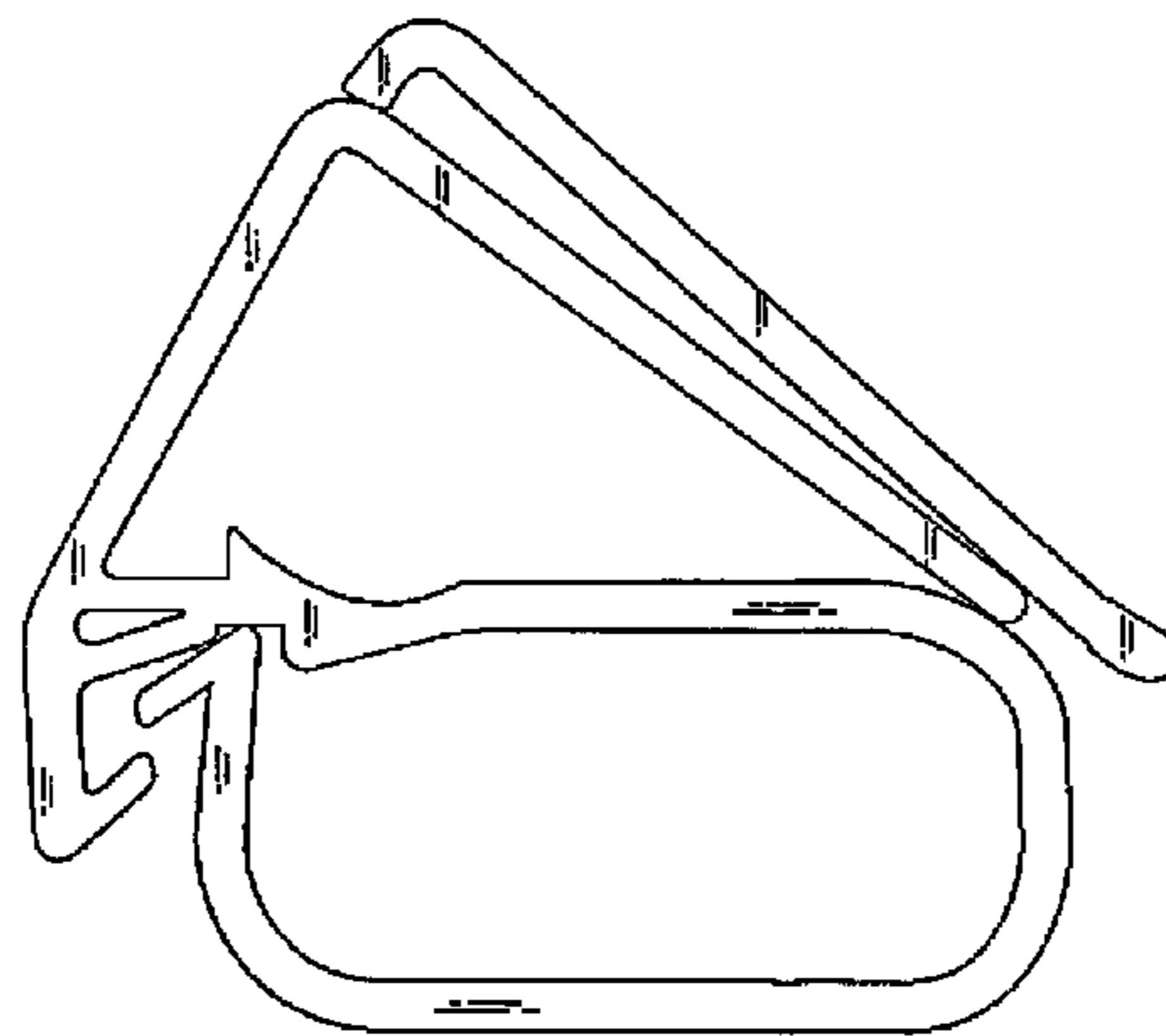


FIG. 3

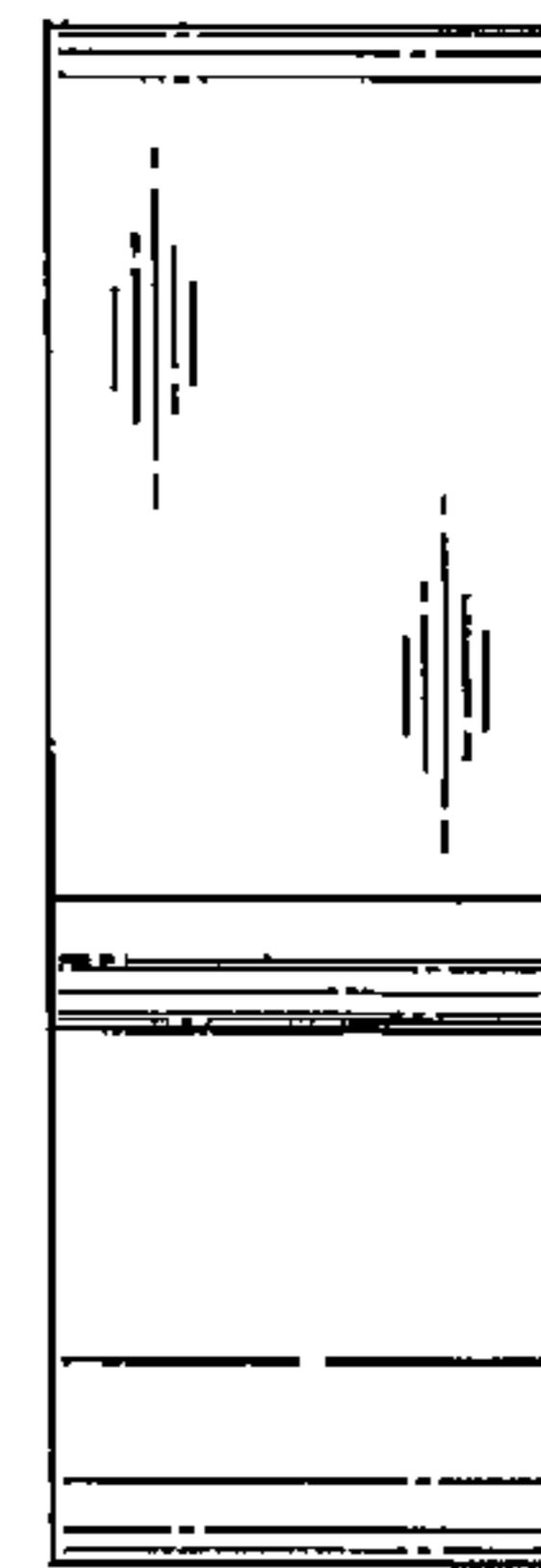


FIG. 5

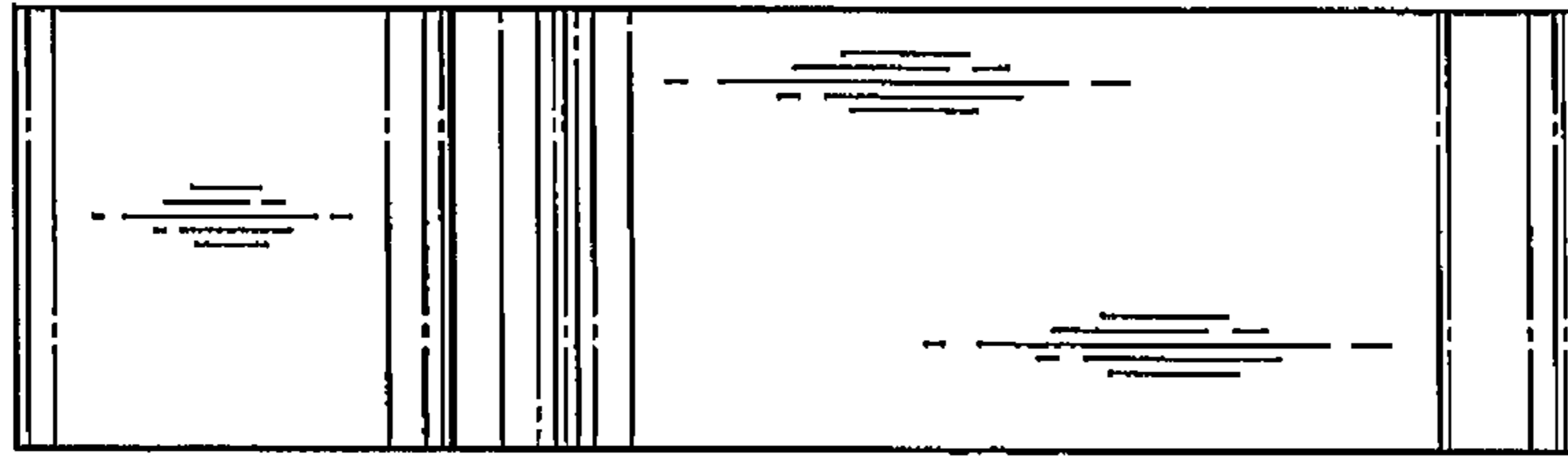


FIG. 6

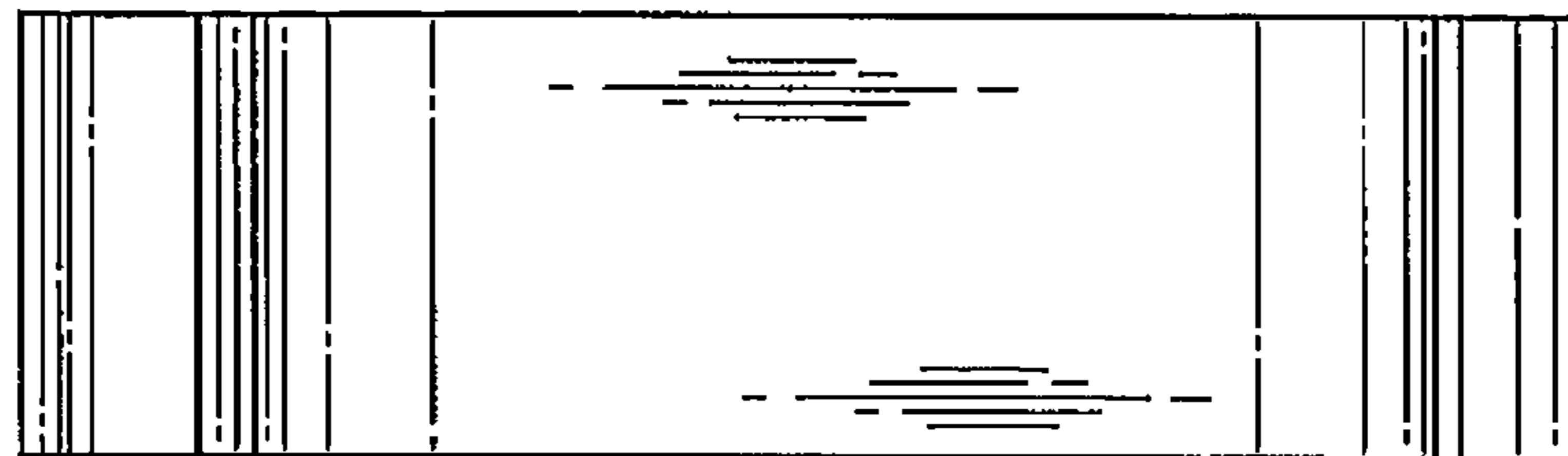


FIG. 7