



US00D703461S

(12) **United States Design Patent**  
**Myron**

(10) **Patent No.:** **US D703,461 S**

(45) **Date of Patent:** **\*\* Apr. 29, 2014**

(54) **CENTER SPREADER ADAPTER TOOL FOR TOILET PAPER ROLLS AND PAPER TOWEL ROLLS THAT DO NOT HAVE INNER CARDBOARD TUBES**

*Primary Examiner* — Brian N Vinson

(74) *Attorney, Agent, or Firm* — Brian S. Steinberger; Law Offices of Brian S. Steinberger, P.A.

(71) Applicant: **Richard Myron**, Blairstown, NJ (US)

(57) **CLAIM**

(72) Inventor: **Richard Myron**, Blairstown, NJ (US)

The ornamental design for a center spreader adapter tool for toilet paper rolls and paper towel rolls that do not have inner cardboard tubes, as shown and described.

(\*\*) Term: **14 Years**

(21) Appl. No.: **29/443,970**

(22) Filed: **Jan. 24, 2013**

(51) **LOC (10) Cl.** ..... **23-02**

(52) **U.S. Cl.**

USPC ..... **D6/523**

(58) **Field of Classification Search**

USPC ..... D6/518–523; 206/389, 391; 211/13.1, 211/59.1, 45, 890.1; 242/570, 590, 597.7, 242/599.1, 599.3; 248/309.1, 309.2

See application file for complete search history.

**DESCRIPTION**

FIG. 1 is a front side view of a center spreader adapter tool for toilet paper rolls and paper towel rolls that do not have inner cardboard tubes showing a first embodiment of my new design;

FIG. 2 is a left side view thereof;

FIG. 3 is a rear side view thereof;

FIG. 4 is a right side view thereof;

FIG. 5 is a top end view thereof;

FIG. 6 is a bottom end view thereof;

FIG. 7 is a front side top perspective view thereof;

FIG. 8 is a left side top perspective view thereof;

FIG. 9 is a back side top perspective view thereof;

FIG. 10 is a right side top perspective view thereof;

FIG. 11 is a front side view of a center spreader adapter tool for toilet paper rolls and paper towel rolls that do not have inner cardboard tubes showing a first embodiment of my new design;

FIG. 12 is a left side view thereof;

FIG. 13 is a rear side view thereof;

FIG. 14 is a right side view thereof;

FIG. 15 is a top end view thereof;

FIG. 16 is a bottom end view thereof;

FIG. 17 is a front side top perspective view thereof;

FIG. 18 is a left side top perspective view thereof;

FIG. 19 is a back side top perspective view thereof; and,

FIG. 20 is a right side top perspective view thereof.

(56) **References Cited**

**U.S. PATENT DOCUMENTS**

674,285 A	5/1901	Saxton	
850,892 A	4/1907	Ball	
1,674,285 A	6/1928	Harvey	
1,922,716 A	8/1933	Robinett	
2,522,109 A *	9/1950	Foltis	D6/523
D180,595 S *	7/1957	Gralewicz	D6/523
D198,832 S *	8/1964	Moy	D6/523

(Continued)

**FOREIGN PATENT DOCUMENTS**

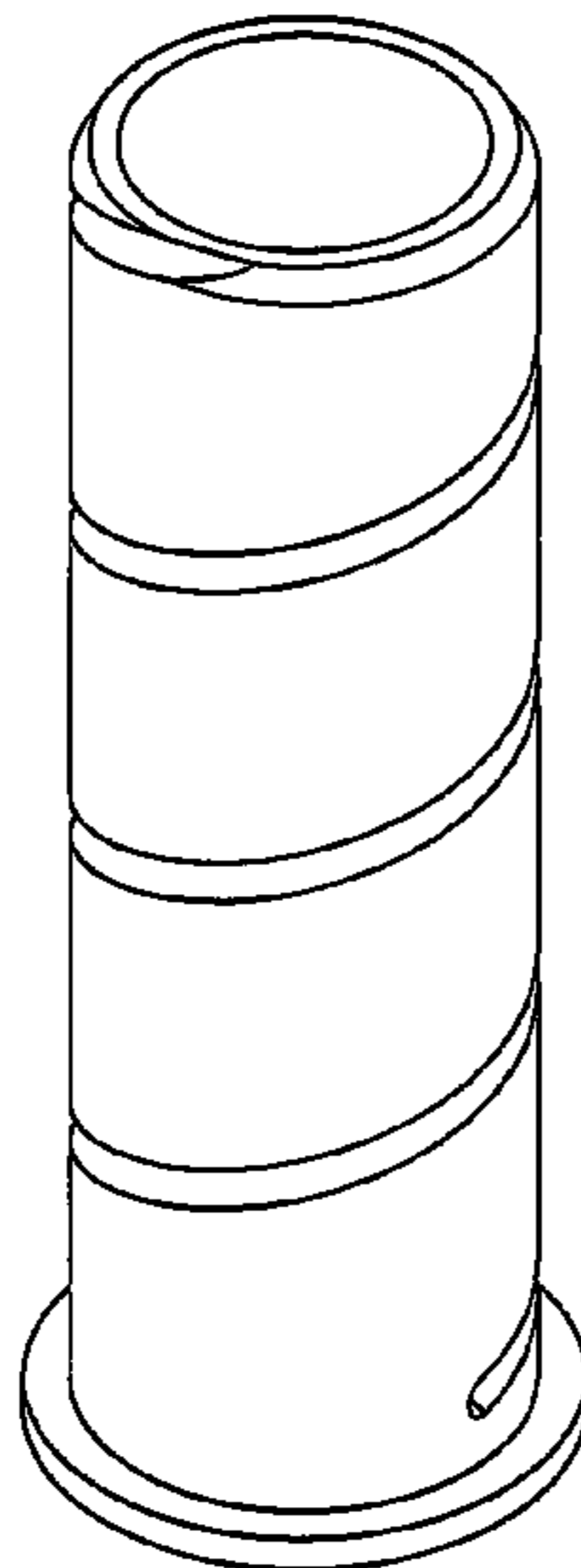
JP	10127524	5/1998
JP	3071707	9/2000

**OTHER PUBLICATIONS**

International Search Report, PCT/US13/46523 filed Jun. 19, 2013, 16 pages.

(Continued)

**1 Claim, 18 Drawing Sheets**



(56)

References Cited

U.S. PATENT DOCUMENTS

D205,497 S \* 8/1966 Webber ..... D6/523  
 3,292,874 A 12/1966 Tinkham  
 3,375,995 A 4/1968 Roman  
 3,519,216 A 7/1970 Rienzi  
 D218,331 S \* 8/1970 Utz ..... D6/523  
 3,881,666 A 5/1975 Greenhalgh  
 4,149,682 A 4/1979 Gustafson  
 4,235,389 A 11/1980 Ness  
 D291,518 S \* 8/1987 Chap ..... D6/523  
 4,783,016 A 11/1988 Pool  
 D324,618 S \* 3/1992 Morand ..... D6/523  
 5,100,075 A 3/1992 Morand  
 5,323,980 A 6/1994 Neveu  
 5,366,175 A 11/1994 Schutz  
 5,370,339 A 12/1994 Moody  
 5,402,978 A \* 4/1995 Larson ..... D6/523  
 5,445,344 A 8/1995 Seger  
 5,451,013 A 9/1995 Schutz  
 5,492,280 A 2/1996 Corres  
 5,495,997 A 3/1996 Moody  
 5,577,686 A 11/1996 Moody  
 D381,851 S \* 8/1997 Sharpe ..... D6/523  
 5,669,576 A 9/1997 Moody  
 5,775,632 A 7/1998 Huerta

5,868,342 A 2/1999 Moody  
 6,036,134 A 3/2000 Moody  
 6,328,246 B1 12/2001 Hjort  
 6,360,985 B1 3/2002 Phelps  
 6,439,502 B1 8/2002 Gemmell  
 D494,395 S \* 8/2004 Wolpert et al. .... D6/523  
 7,086,628 B2 8/2006 Neri  
 7,350,463 B2 4/2008 Blanchard  
 7,513,453 B2 4/2009 Cattacin  
 7,828,240 B2 11/2010 Hagleitner  
 7,861,964 B2 1/2011 Cittadino  
 8,002,215 B2 8/2011 Repp  
 2002/0074450 A1 6/2002 Tramontina  
 2005/0098465 A1 5/2005 Wolf  
 2006/0175459 A1 8/2006 Hua  
 2009/0057169 A1 3/2009 Kruchoski  
 2010/0051738 A1 3/2010 Harvey  
 2011/0114778 A1 5/2011 Andersson  
 2011/0210199 A1 9/2011 Sinsabaugh  
 2012/0104142 A1 5/2012 Phelps

OTHER PUBLICATIONS

Myron, Office Action Summary, U.S. Appl. No. 13/750,045, mailed on Dec. 2, 2013, 10 pages.

\* cited by examiner

FIG. 1

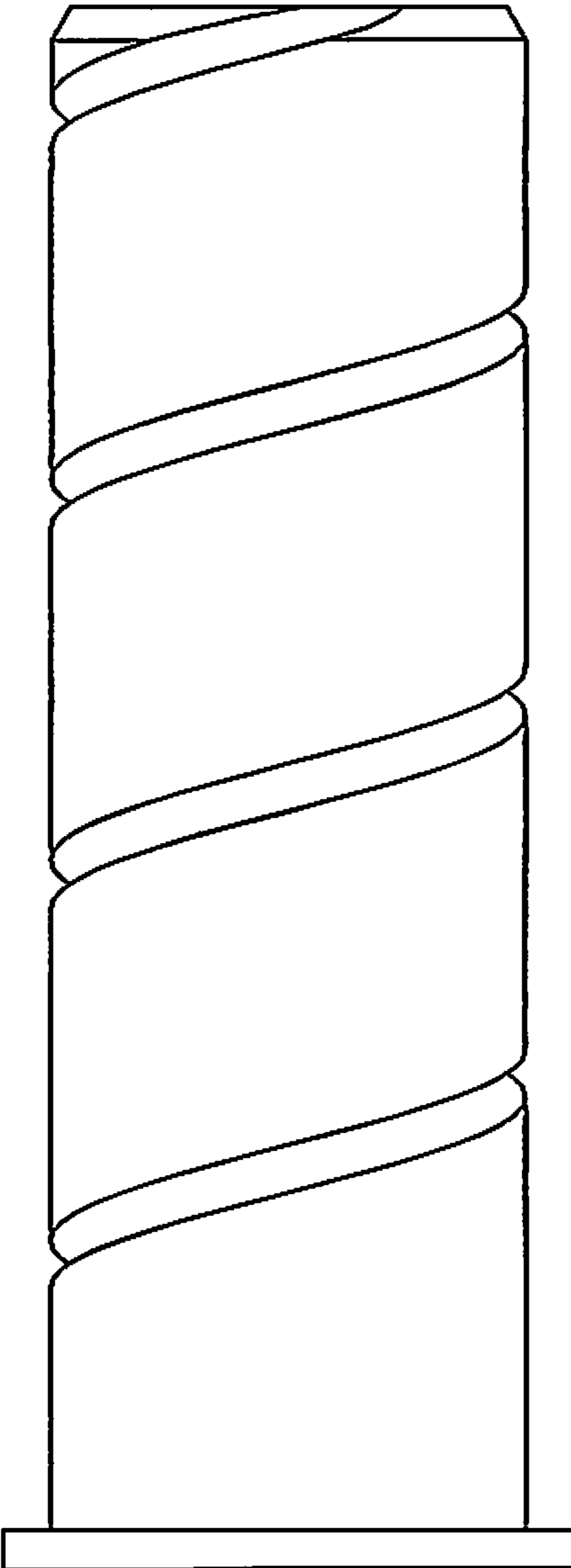


FIG. 2

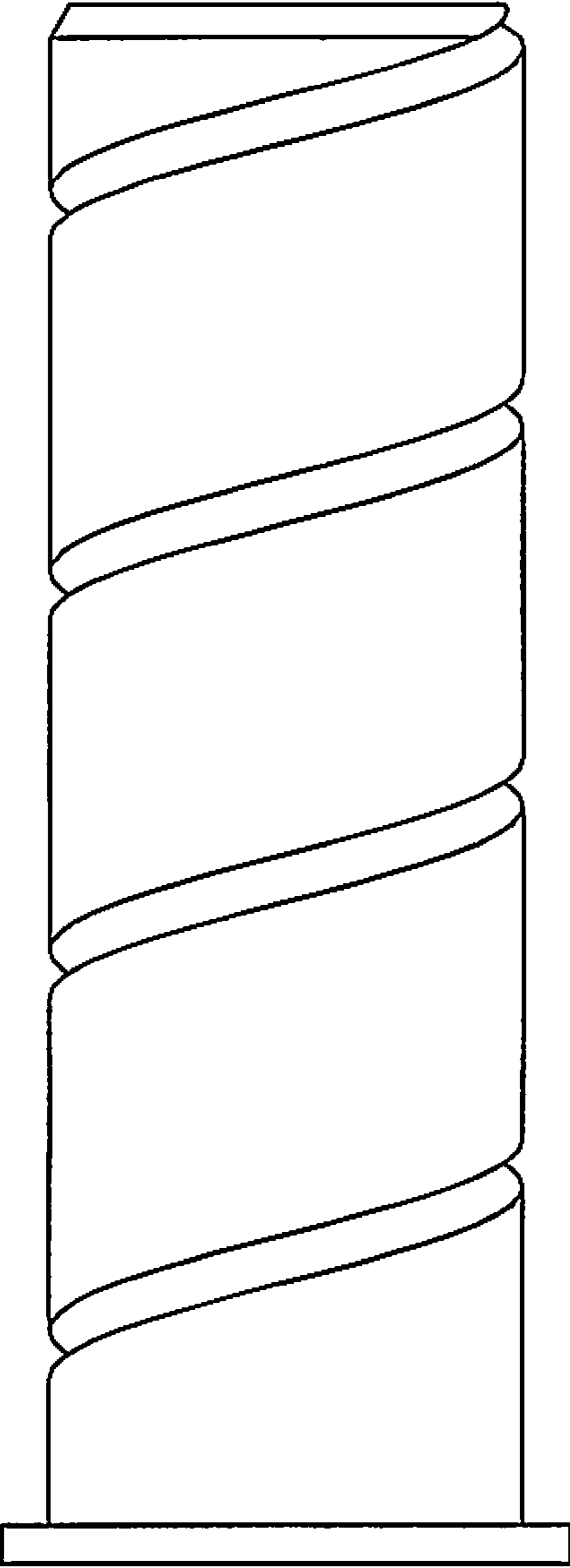


FIG. 3

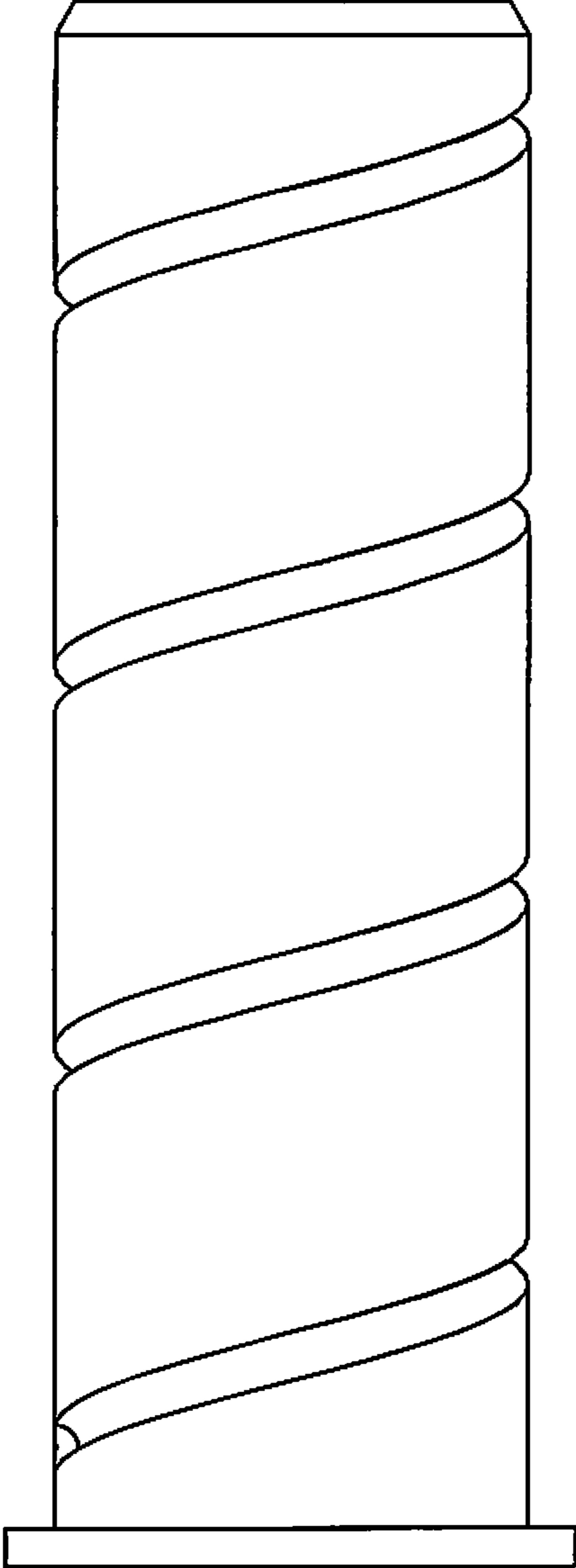


FIG. 4

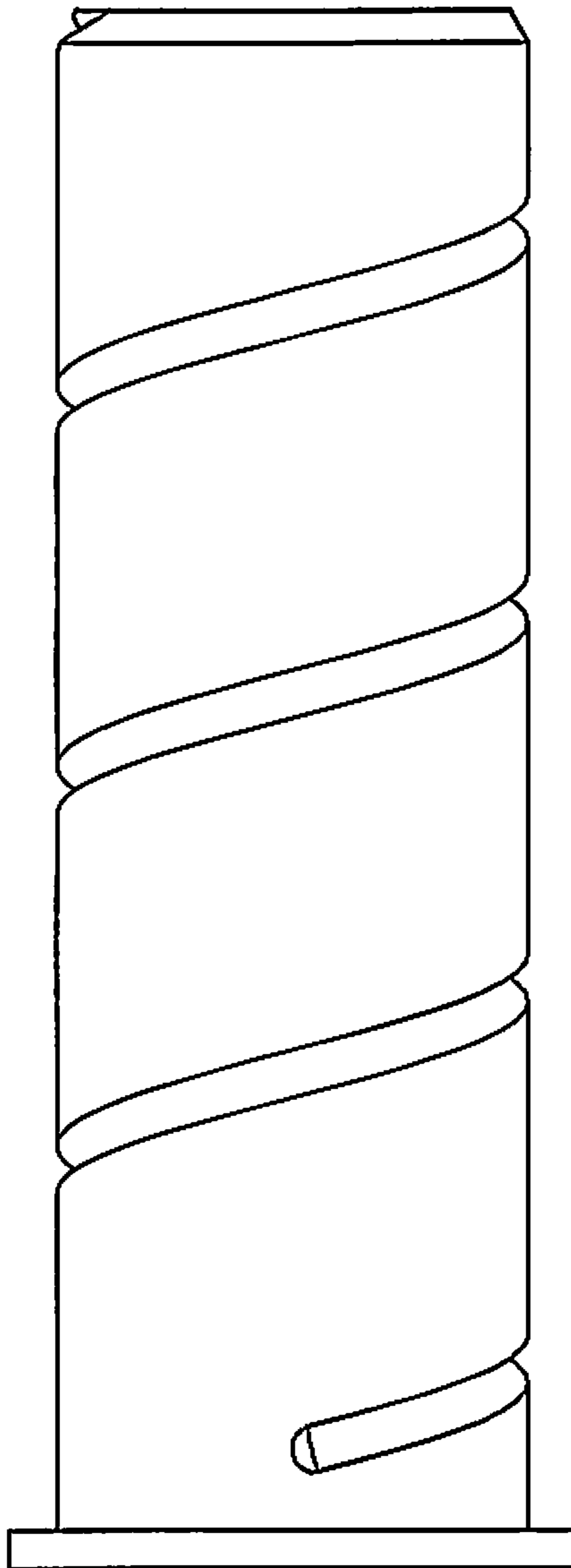


FIG. 5

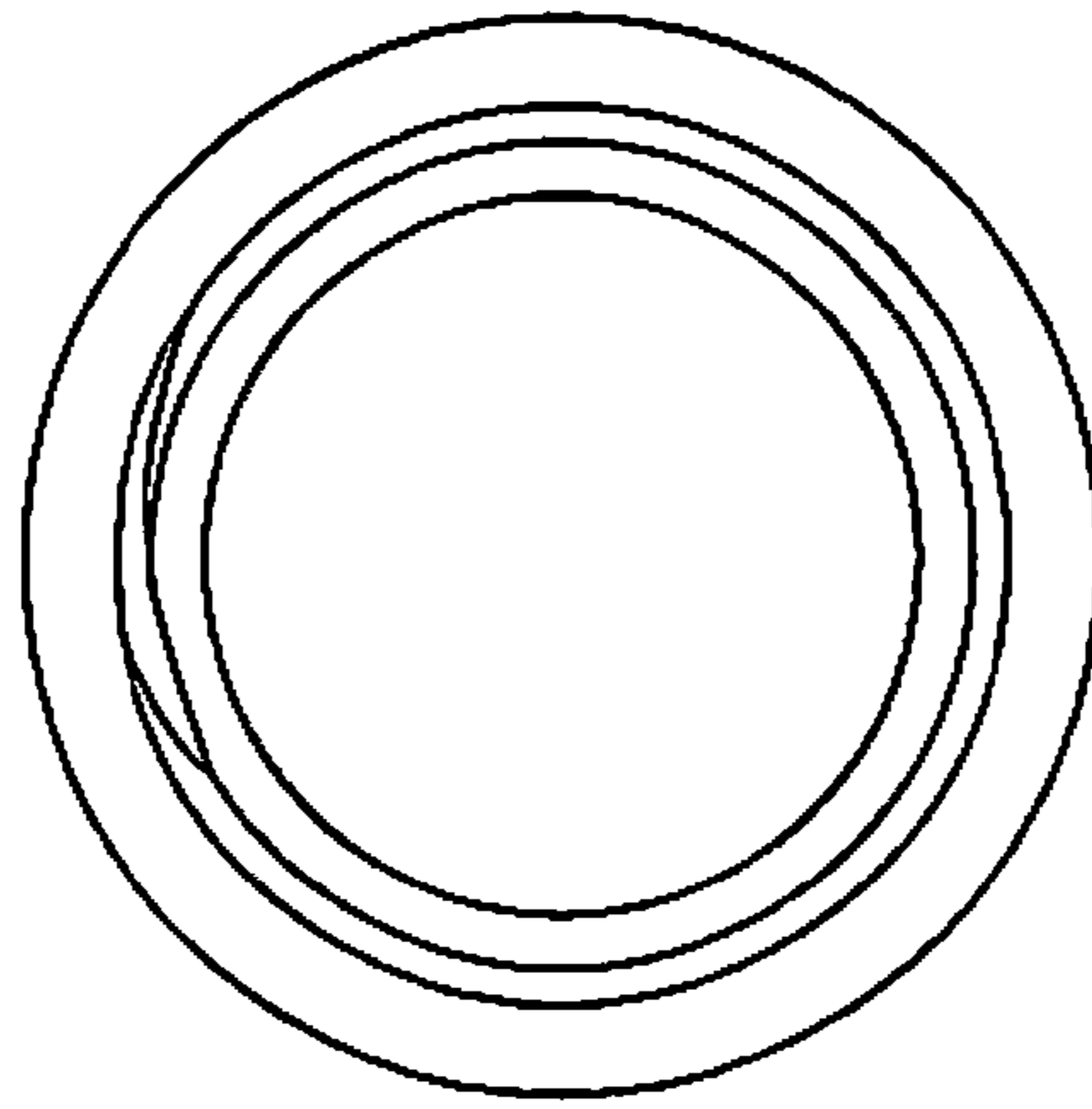


FIG. 6

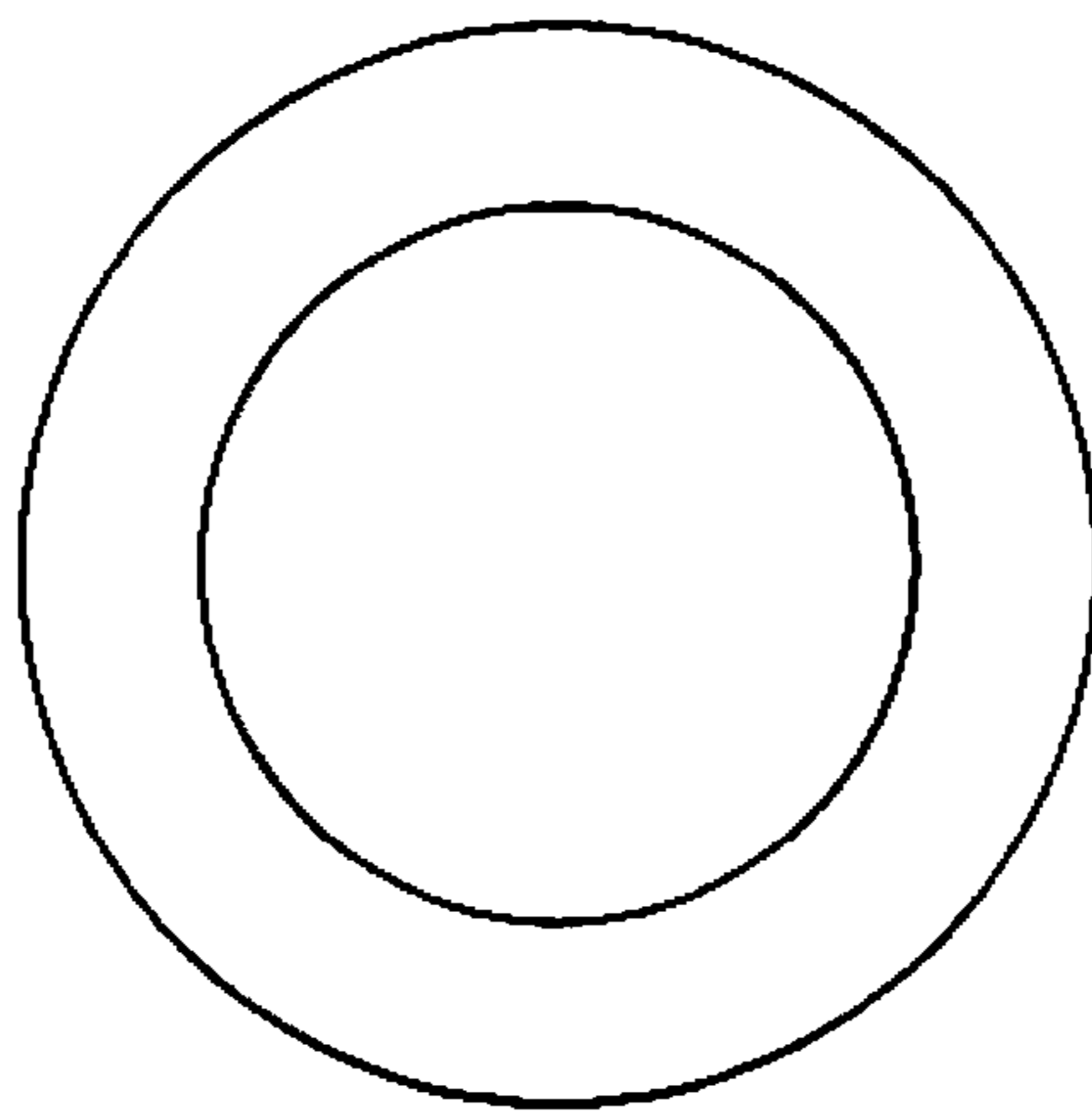


FIG. 7

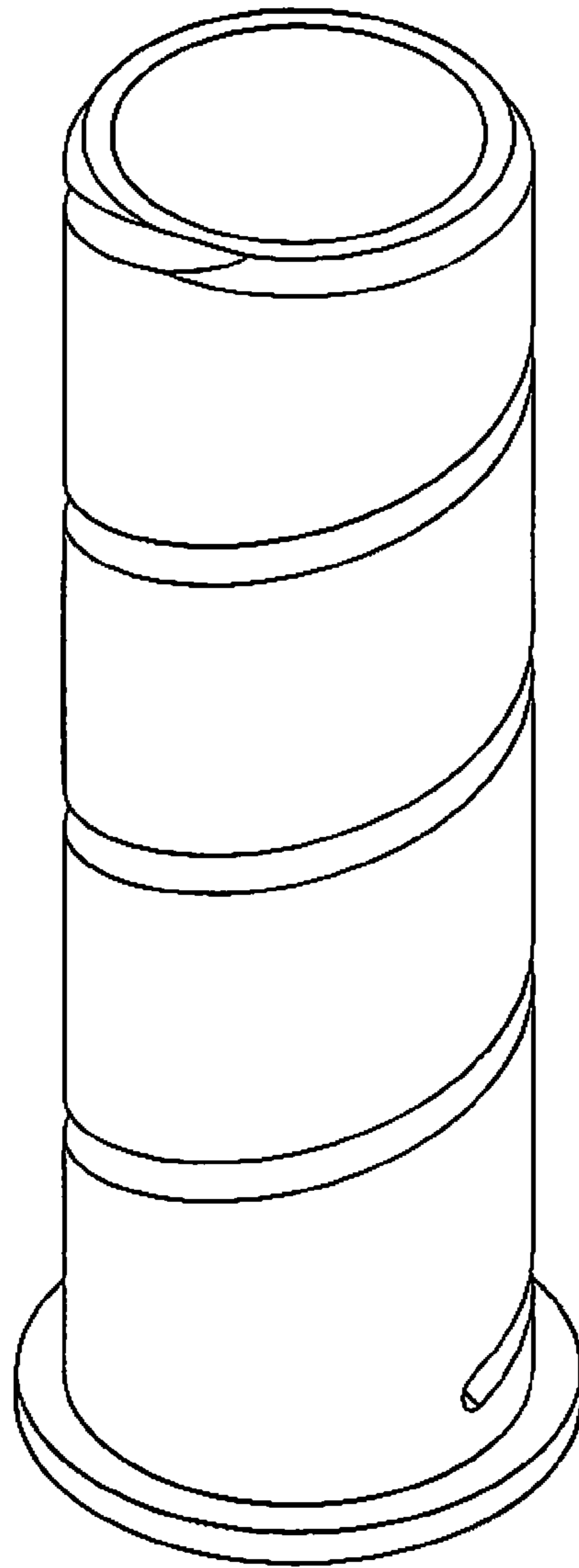




FIG. 8

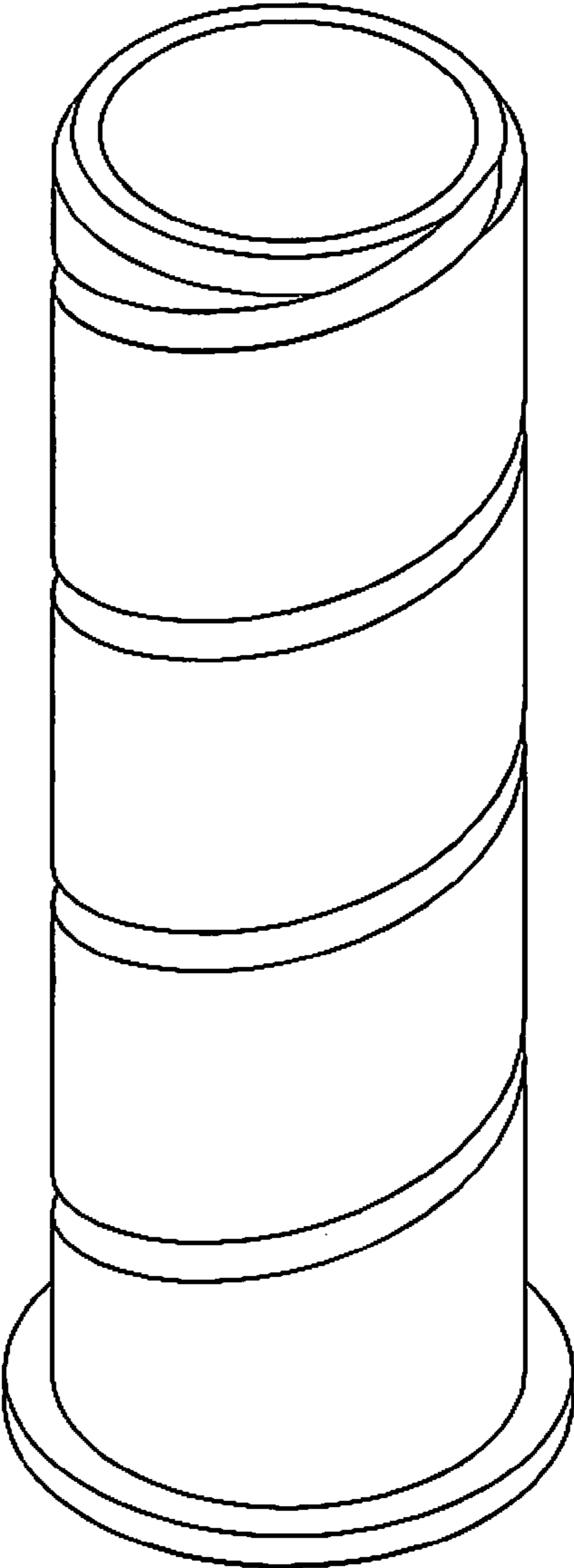


FIG. 9

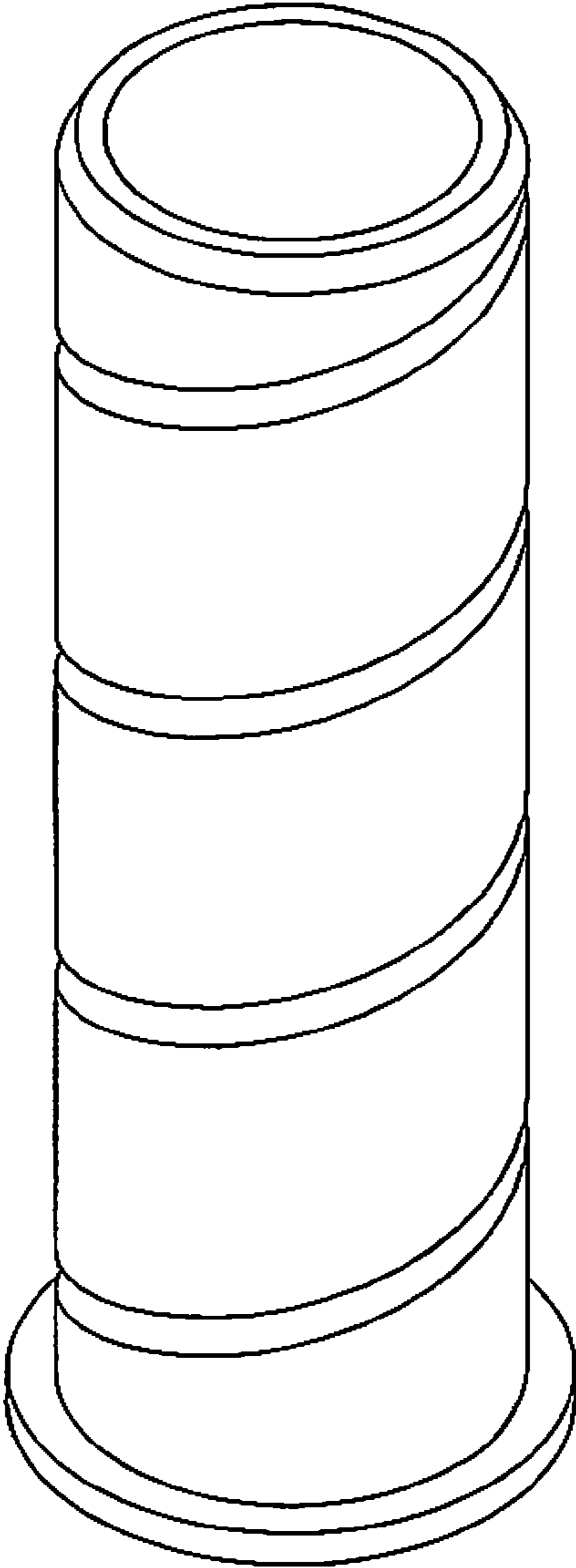


FIG. 10

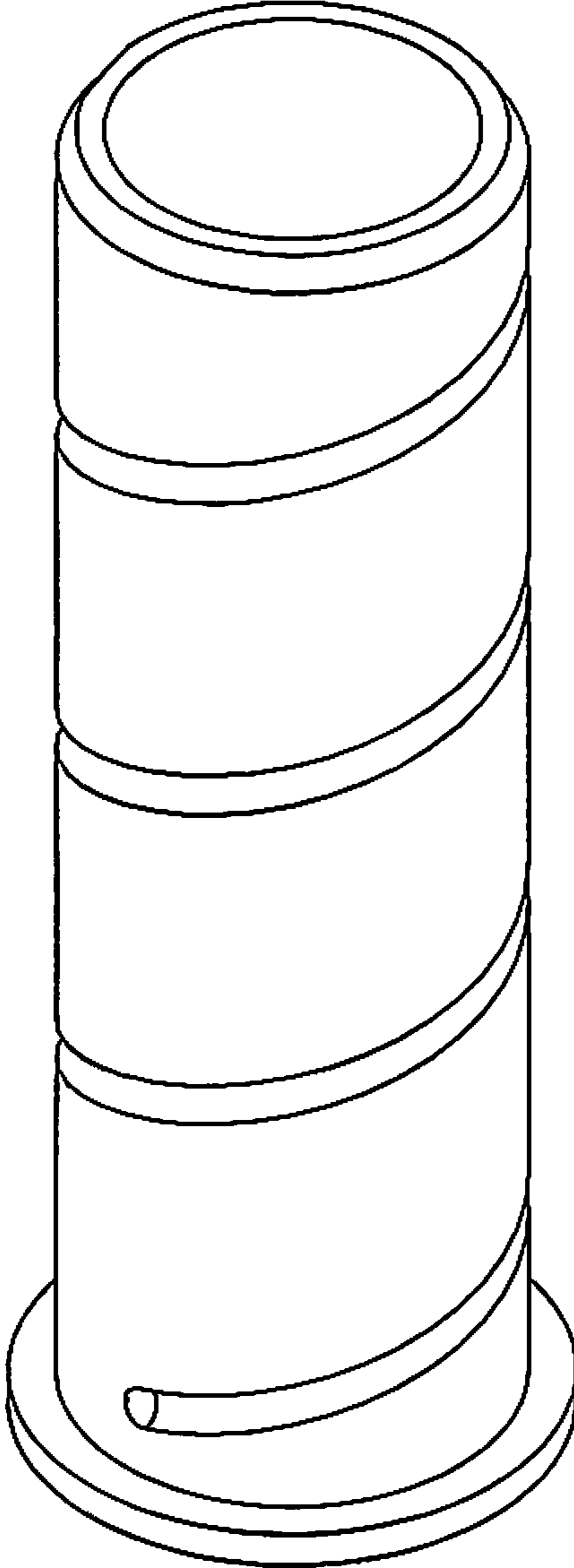


FIG. 11

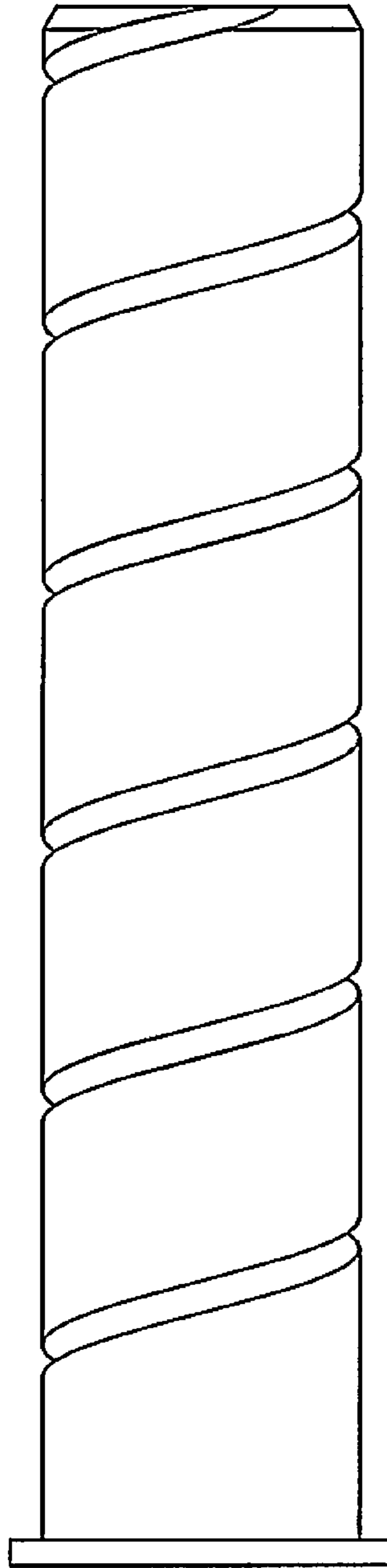


FIG. 12

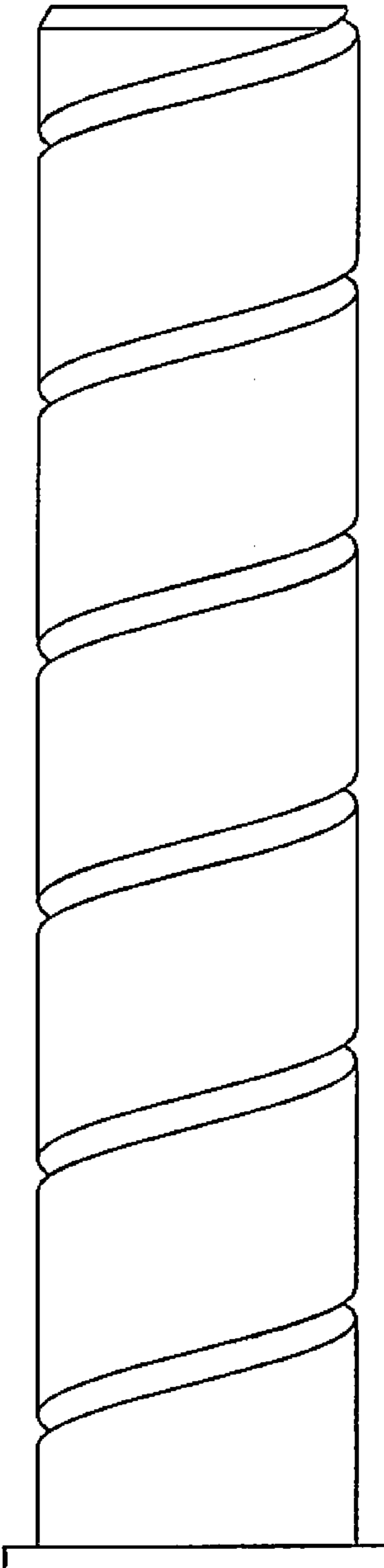


FIG. 13

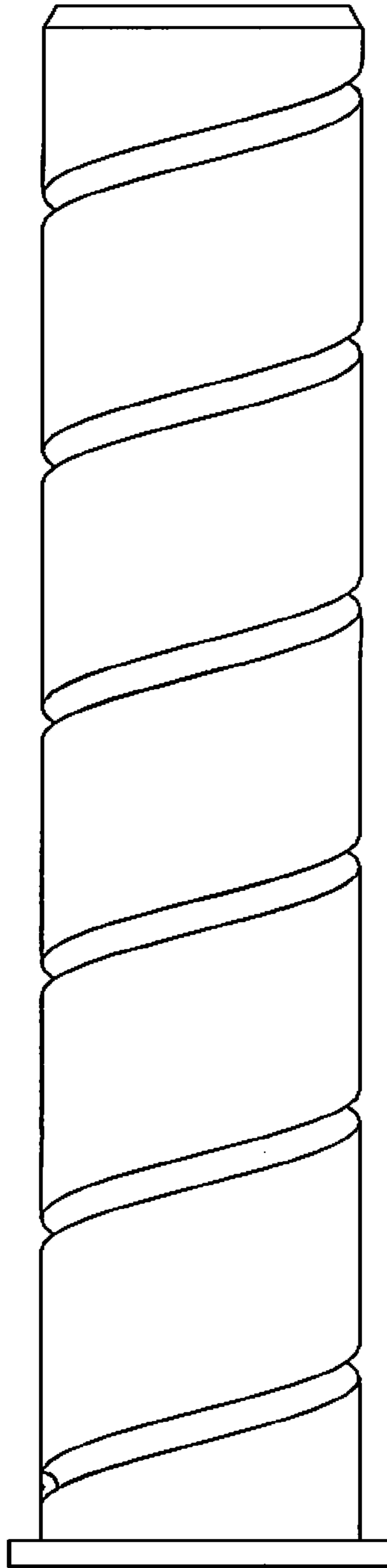


FIG. 14

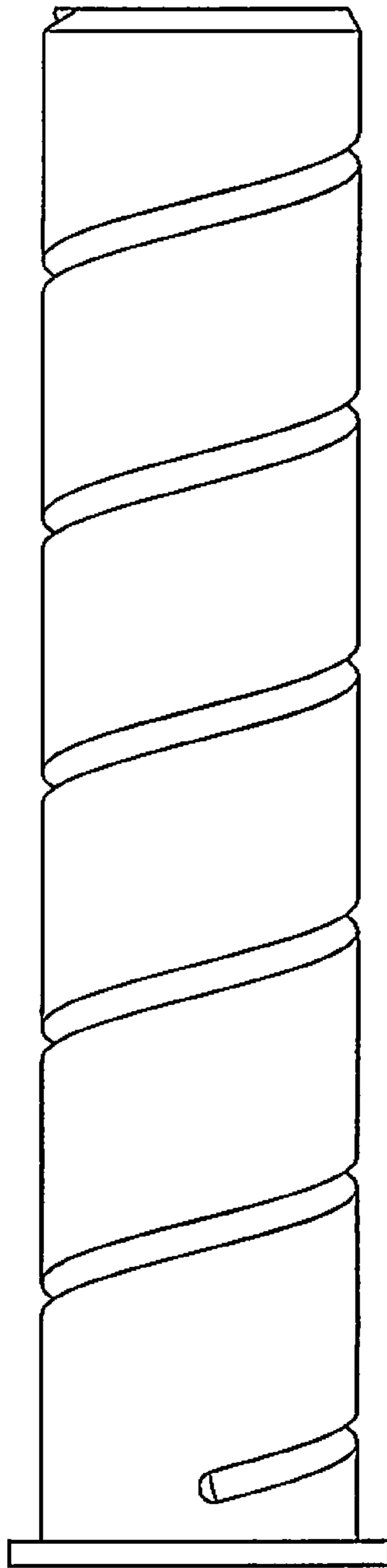


FIG. 15

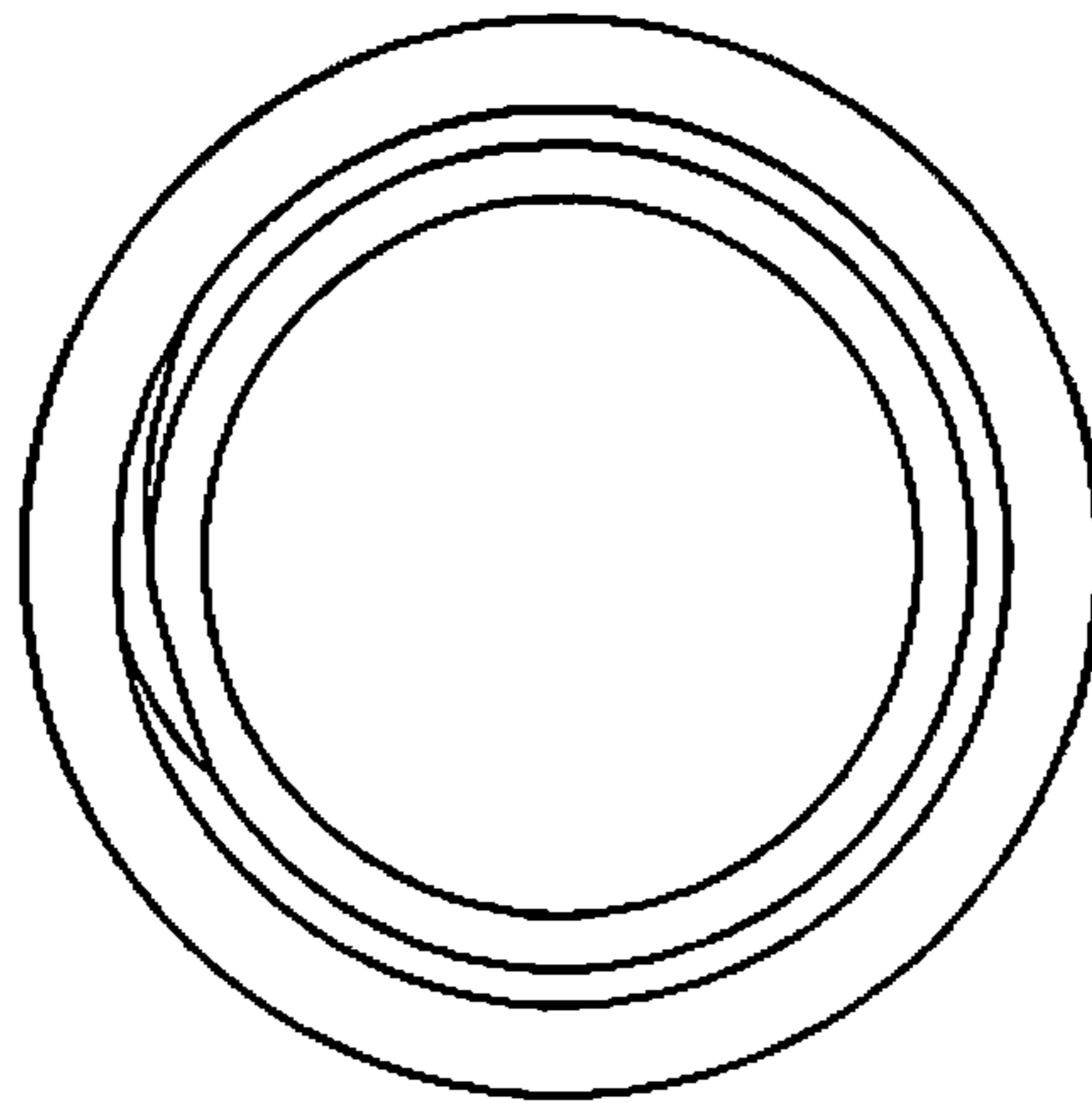


FIG. 16

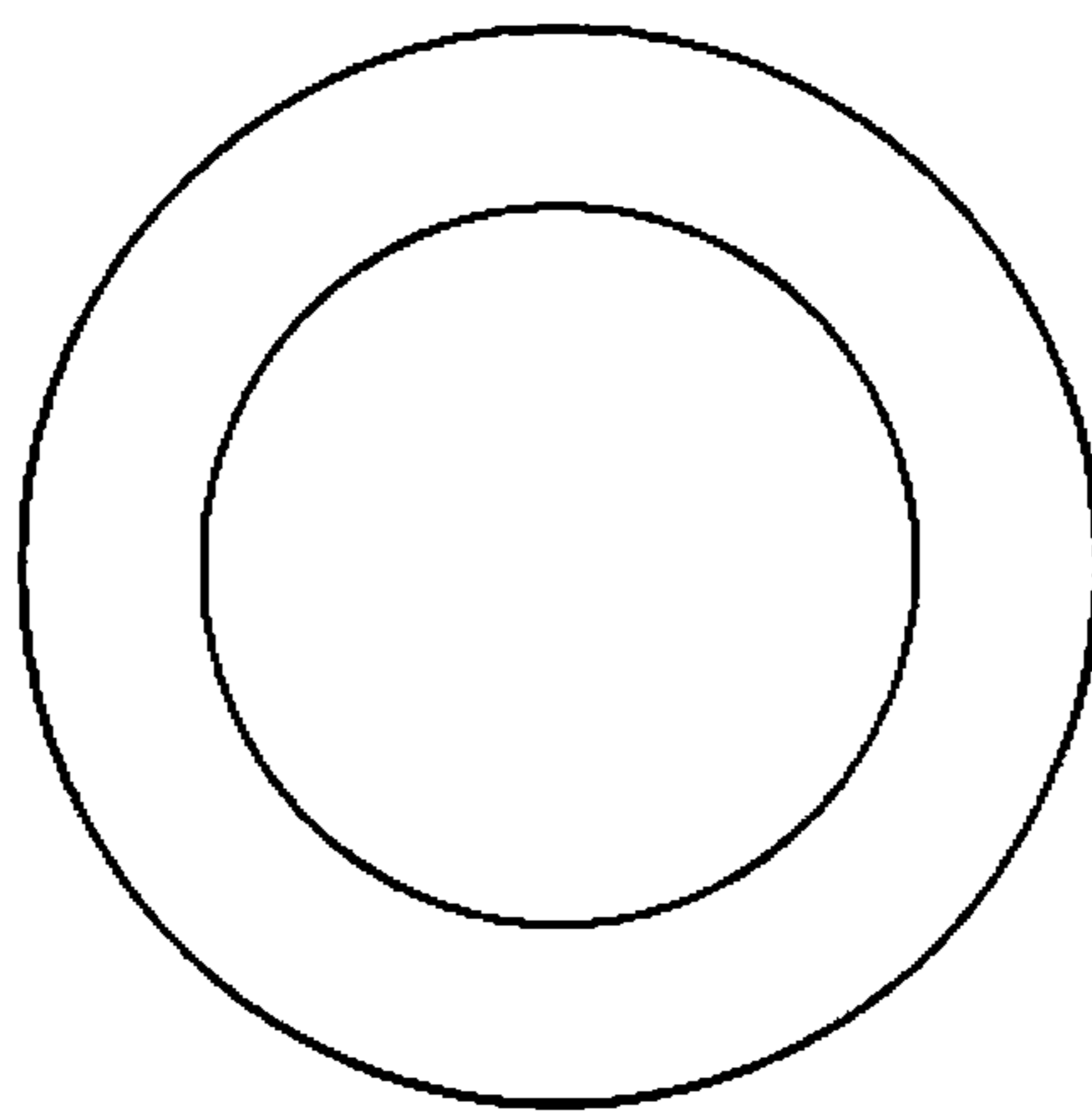




FIG. 17

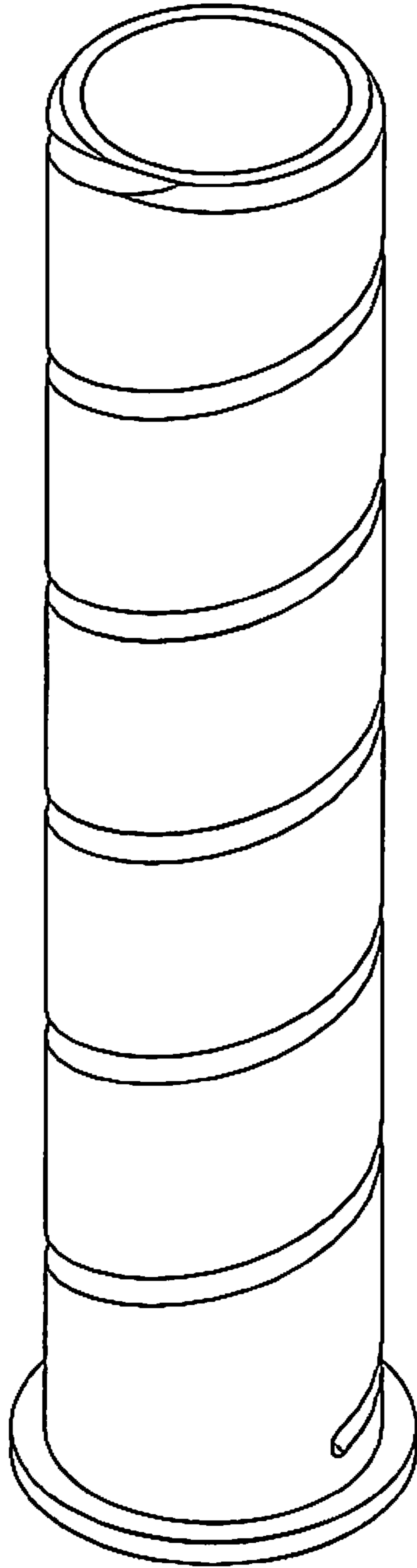


FIG. 18

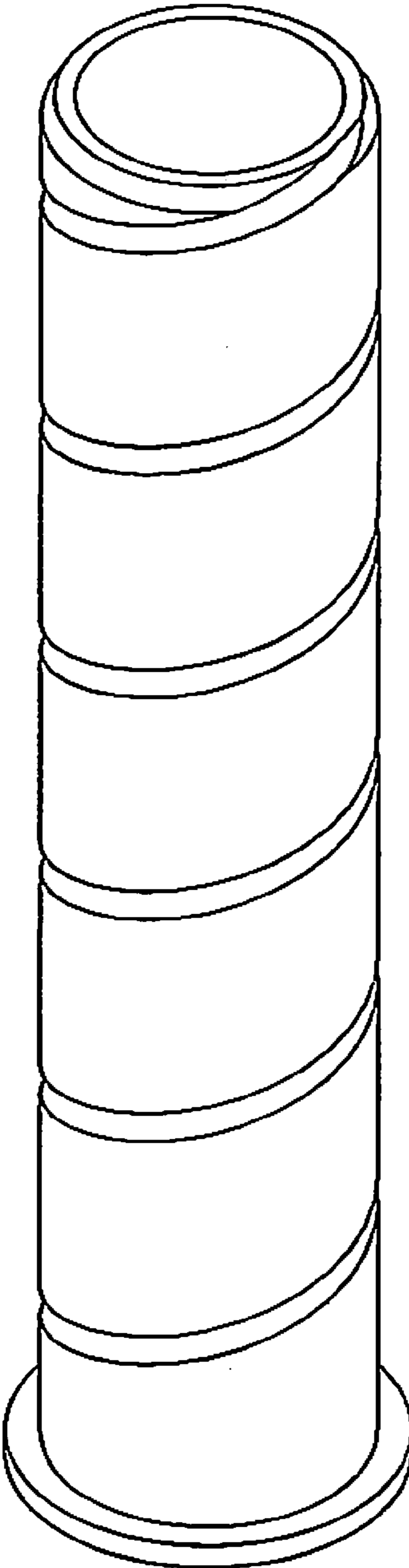


FIG. 19

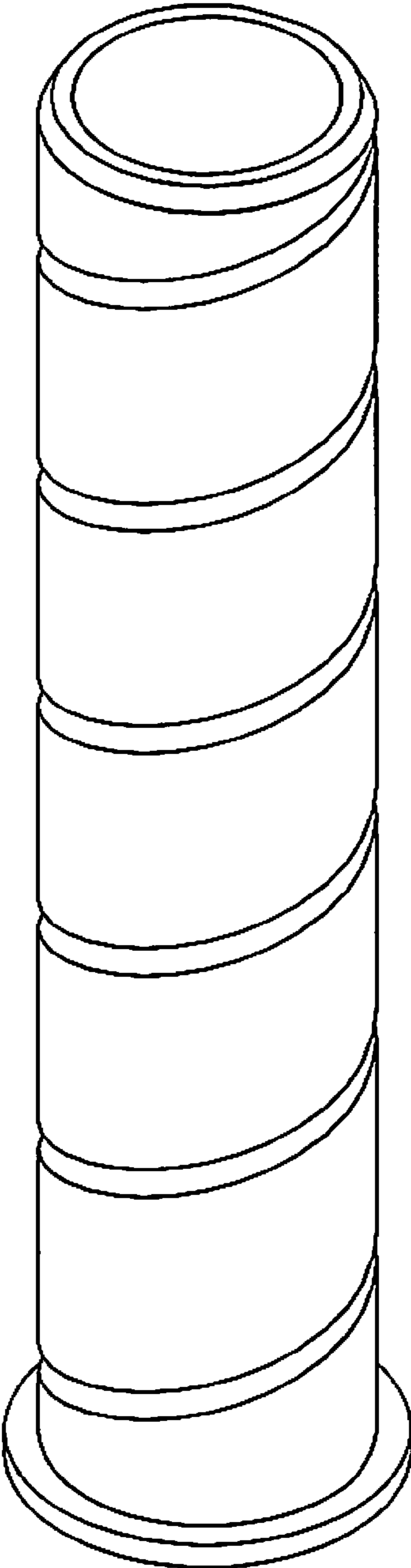


FIG. 20

