



US00D703460S

(12) **United States Design Patent**
Kreuzer et al.

(10) **Patent No.:** **US D703,460 S**
(45) **Date of Patent:** **** Apr. 29, 2014**

(54) **CHAIR**

(71) Applicant: **Target Brands, Inc.**, Minneapolis, MN (US)

(72) Inventors: **Jared P. Kreuzer**, Parker, TX (US); **Joel W. Mulholland**, St. Paul, MN (US)

(73) Assignee: **Target Brands, Inc.**, Minneapolis, MN (US)

(**) Term: **14 Years**

(21) Appl. No.: **29/458,555**

(22) Filed: **Jun. 20, 2013**

(51) **LOC (10) Cl.** **06-01**

(52) **U.S. Cl.**
USPC **D6/368**

(58) **Field of Classification Search**
USPC D6/334-336, 368, 369, 371-373, 374, D6/375, 379, 380, 716, 716.1, 716.2, D6/716.3, 716.4; 297/16.1, 31, 45, 46, 55, 297/56, 440.11, 451.9, 452.13, 452.64
See application file for complete search history.

(56) **References Cited**

U.S. PATENT DOCUMENTS

D168,843 S	2/1953	Johnson	
D169,338 S	4/1953	Risley	
2,684,709 A	7/1954	Schawinsky	
2,727,564 A	12/1955	Gruber	
D177,783 S	5/1956	Witty	
D178,900 S	10/1956	O'Neill	
D191,704 S	11/1961	Stauffer	
D191,786 S *	11/1961	Kaltsas	D6/368
D197,512 S	2/1964	Poisson	
3,180,685 A	4/1965	Rogalski et al.	
D219,377 S *	12/1970	Peery	D6/335
3,679,261 A	7/1972	Slabakov	
3,994,529 A *	11/1976	Lippert	D6/368
4,469,739 A	9/1984	Gretzinger et al.	
D284,047 S	6/1986	Striebel	

D317,532 S	6/1991	Meadows	
5,695,253 A	12/1997	Jenkins	
6,332,646 B1 *	12/2001	Tseng	297/16.1
D461,326 S *	8/2002	Bouroullec	D6/368
6,824,207 B1 *	11/2004	Lin	297/16.1
D499,258 S	12/2004	Tseng	
6,957,852 B1 *	10/2005	Hsieh	297/46
7,000,983 B1 *	2/2006	Tsai	297/56
D516,330 S	3/2006	Ruiter	
D528,317 S	9/2006	Tseng	
D533,369 S	12/2006	Andersson	
D555,378 S	11/2007	Tsai	
D561,483 S	2/2008	Buie, II	
D691,384 S *	10/2013	Akkad	D6/368

(Continued)

OTHER PUBLICATIONS

Detail daily, "Elastic chair at Budapest Design Week 2011," <http://www.detail-online.com/daily/elastic-chair-at-budapest-design-week-2011-561/>, at least as early as Sep. 2011, 1 page.

(Continued)

Primary Examiner — Mimosa De

(74) *Attorney, Agent, or Firm* — Leanne Taveggia Farrell; Westman, Champlin & Koehler, P.A.

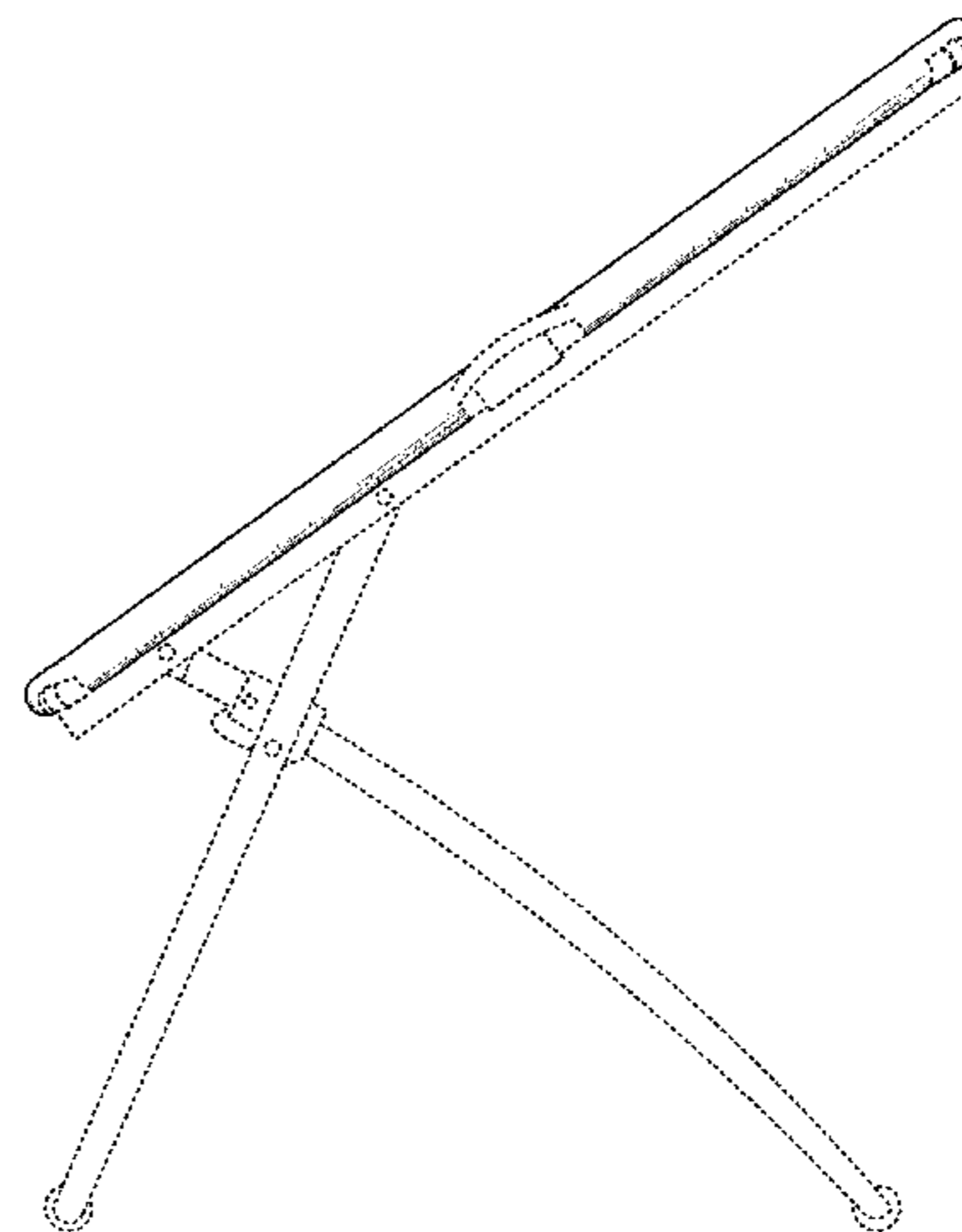
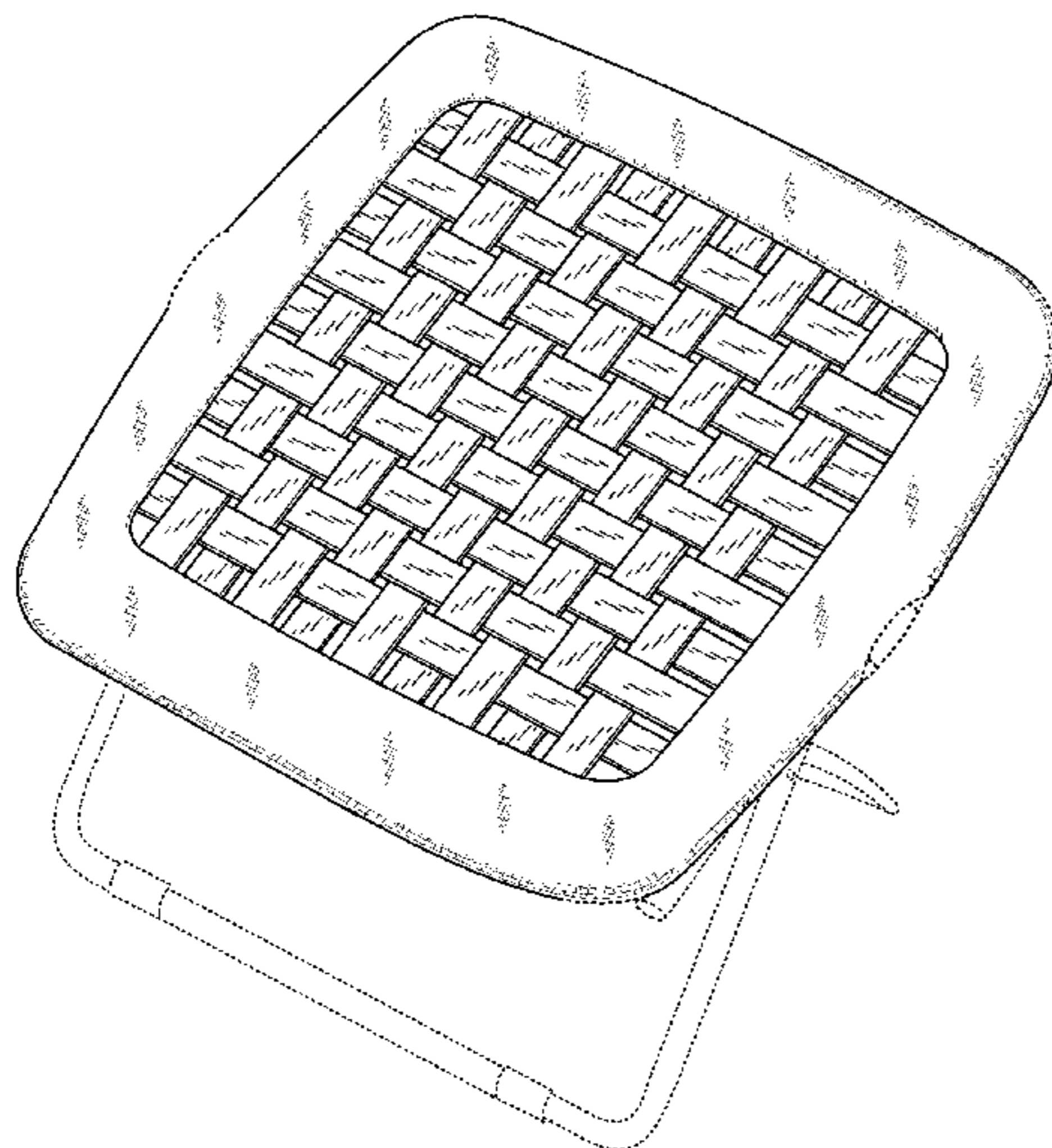
(57) **CLAIM**

The ornamental design for a chair, as shown and described.

DESCRIPTION

FIG. 1 is a perspective view of a chair showing our new design;
FIG. 2 is a side view thereof, the opposing side being a mirror image;
FIG. 3 is a front view thereof;
FIG. 4 is a back view thereof;
FIG. 5 is a top view thereof; and,
FIG. 6 is a bottom view thereof.
The broken lines shown in the drawings are included for purposes of illustrating portions of the chair and form no part of the claimed design.

1 Claim, 6 Drawing Sheets



(56)

References Cited

U.S. PATENT DOCUMENTS

2002/0145326 A1* 10/2002 Liu 297/440.11
2004/0245810 A1* 12/2004 Tseng 297/56
2005/0088018 A1* 4/2005 Yao 297/16.1
2006/0103227 A1 5/2006 Jorg
2007/0063550 A1 3/2007 Lin
2007/0114833 A1 5/2007 Hou

OTHER PUBLICATIONS

ModChartreuse, "Vintage Seating," <http://modchartreuse.com/vintage/seating/lc20.html>, at least as early as Dec. 2012, 1 page.

Sweet Deals 4 Moms, "Target Back to School & College Deals," <http://www.sweetdeals4moms.net/2012/07/target-back-to-school-college-deals/>, at least as early as Jul. 2012, 1 page.
Angelo Grassi Design, "Seduta Margherita," http://www.angelograssi.it/agdesign/index.php?option=com_content&view=article&id=6:seduta-margherita&catid=8:ortofabbrica&Itemid=13, at least as early as Dec. 2012, 1 page.
2nd Floor Living, "Adventures In Upholstery Class," <http://2ndfloorliving.com/2010/03/adventures-in-upholstery-class/>, at least as early as Mar. 2010, 1 page.

* cited by examiner

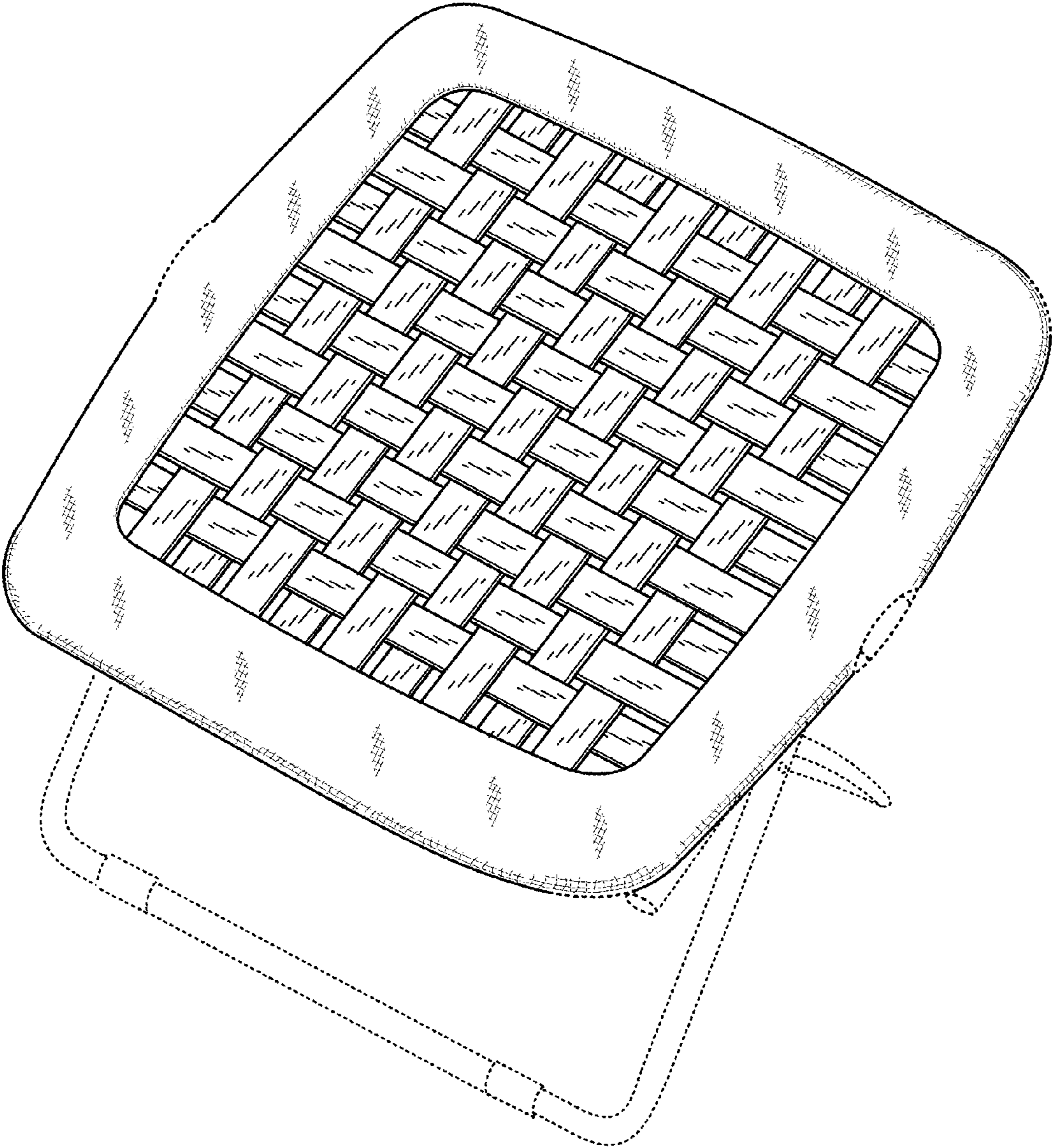


Fig. 1

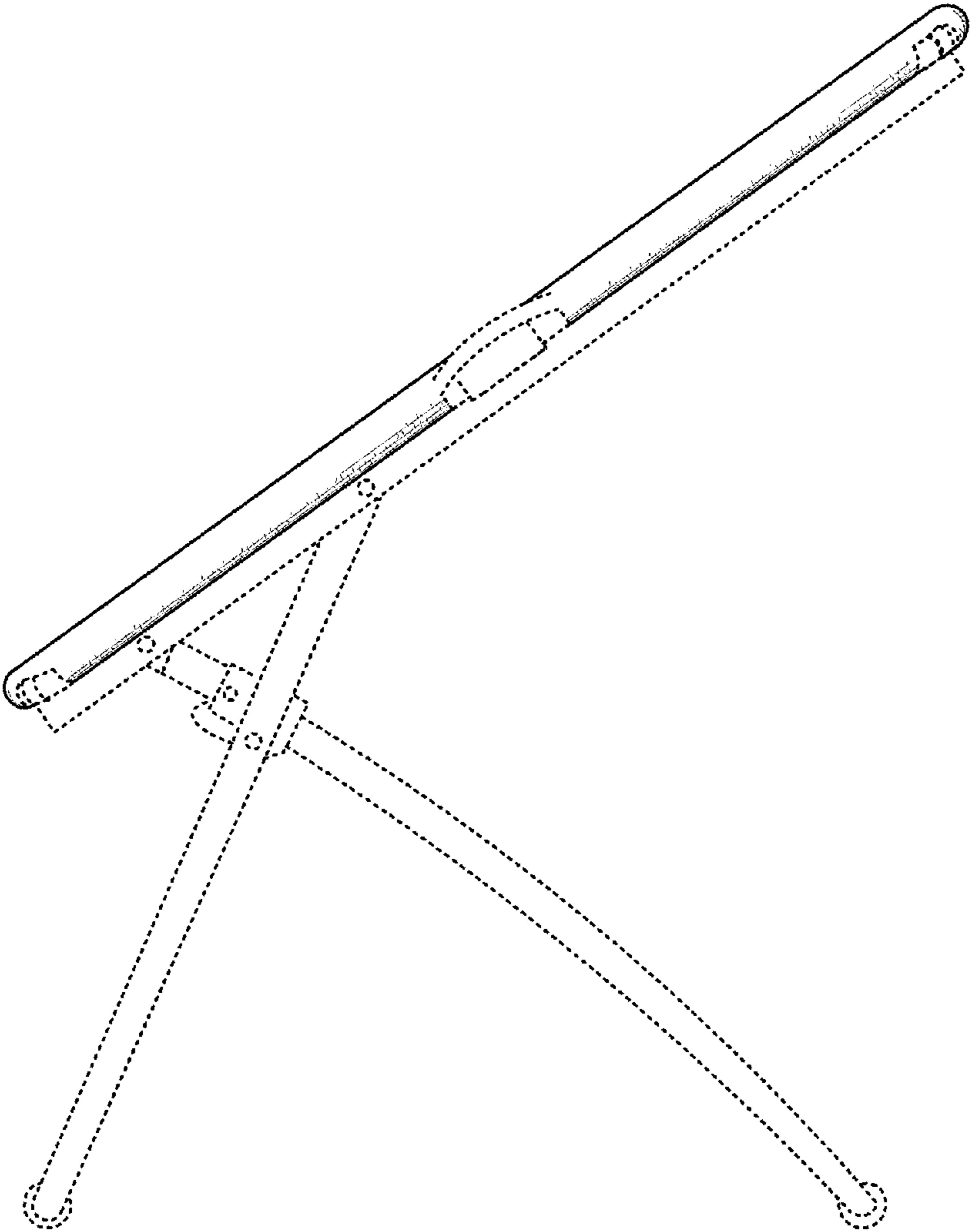


Fig. 2

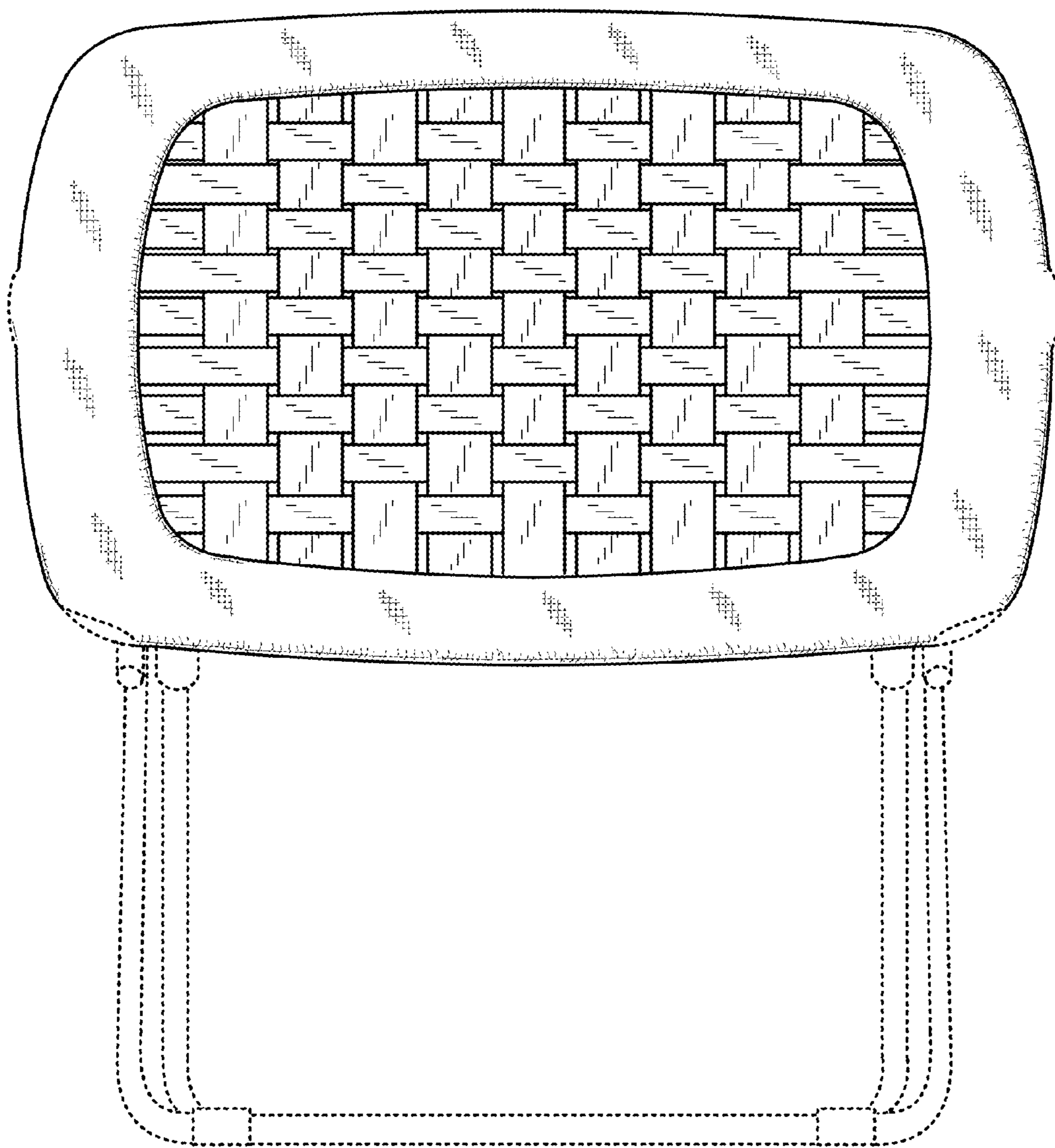


Fig. 3

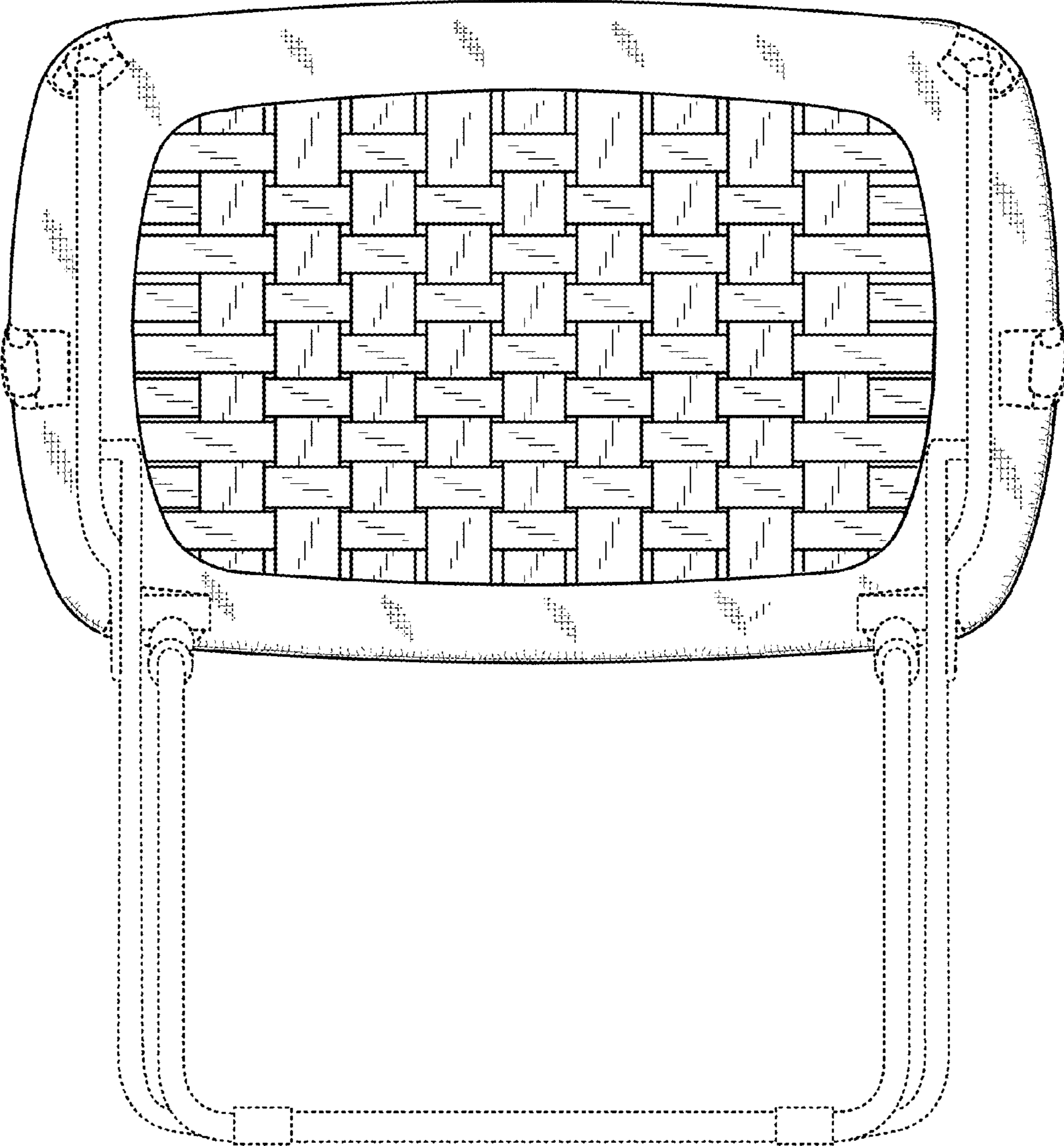


Fig. 4

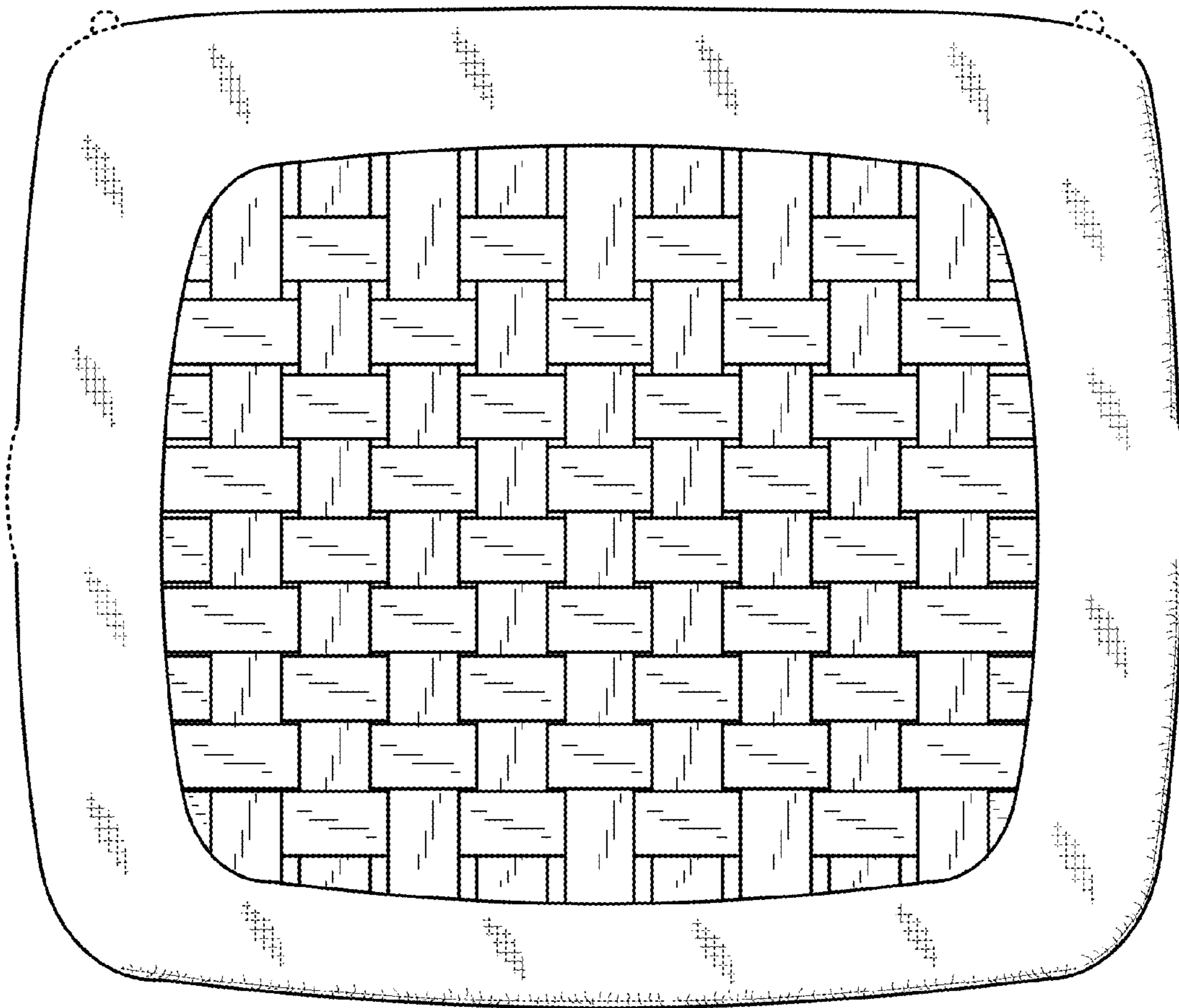


Fig. 5

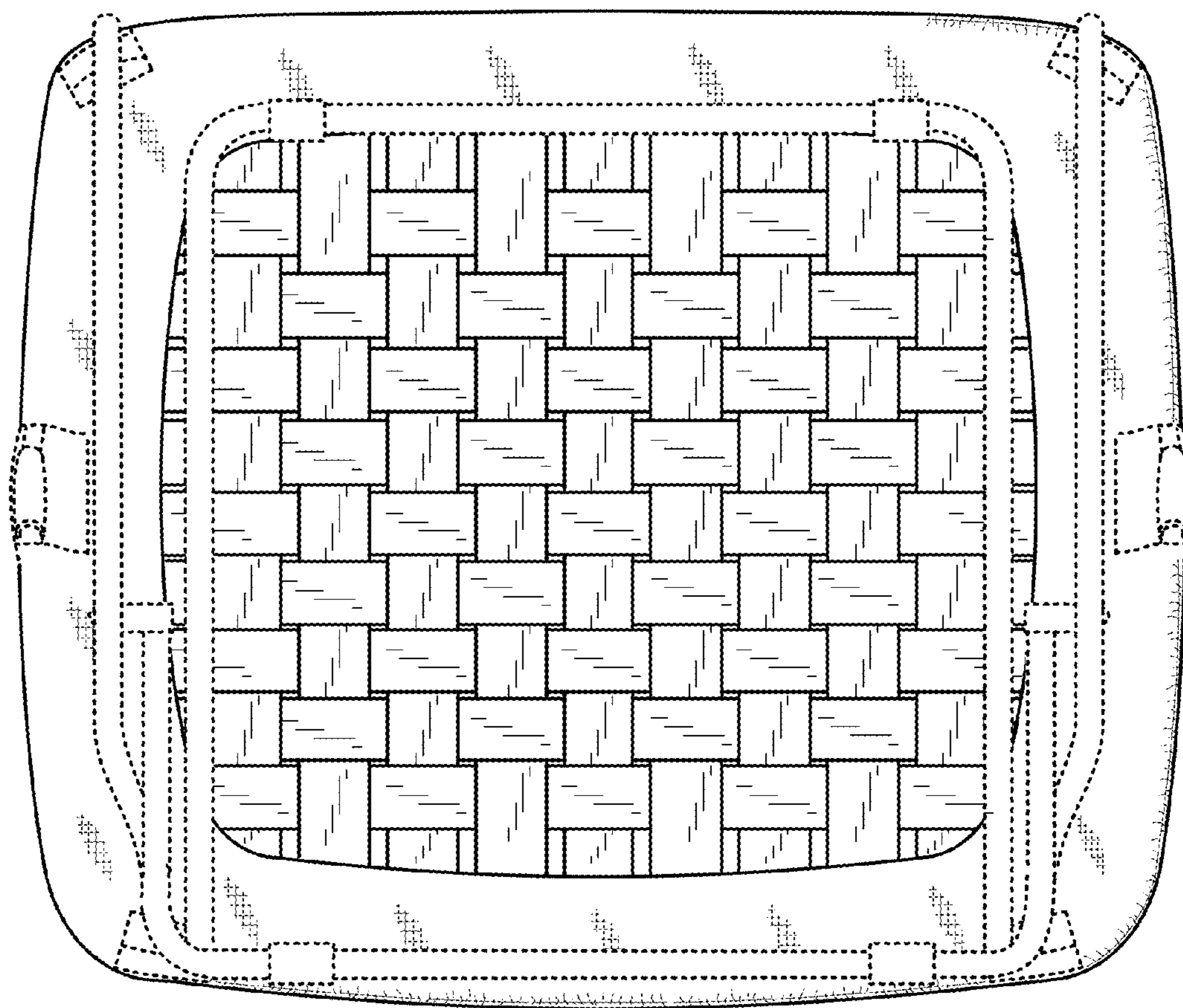


Fig. 6