



US00D703458S

(12) **United States Design Patent**
Nakamura et al.

(10) **Patent No.:** **US D703,458 S**
(45) **Date of Patent:** **** Apr. 29, 2014**

(54) **CHAIR**

(71) Applicant: **Itoki Corporation**, Osaka (JP)

(72) Inventors: **Yasuhiro Nakamura**, Tokyo (JP);
Hiroto Usumoto, Osaka (JP)

(73) Assignee: **Itoki Corporation**, Osaka-shi, Osaka (JP)

(**) Term: **14 Years**

(21) Appl. No.: **29/454,341**

(22) Filed: **May 9, 2013**

(30) **Foreign Application Priority Data**

Nov. 14, 2012 (JP) 2012-027869

(51) **LOC (10) Cl.** **06-01**

(52) **U.S. Cl.**
USPC **D6/368**

(58) **Field of Classification Search**

USPC D6/334-336, 344-353, 360-381, 388,
D6/403, 491-502, 692, 708, 716,
D6/716.2-716.4; 297/16.1, 22, 31, 35,
297/217.1, 228.12, 248, 256.16, 271.6,
297/284.4-284.5, 291, 297, 302.4, 411.2,
297/411.27-411.29, 411.43, 423.1, 423.12,
297/440.11, 440.15, 440.21-440.24, 448.1,
297/451.4, 452.13, 452.19, 452.21, 452.27,
297/452.29, 452.3, 452.41, 452.56, 452.64
See application file for complete search history.

(56) **References Cited**

U.S. PATENT DOCUMENTS

D355,080 S * 2/1995 Lucci et al. D6/372
D449,172 S * 10/2001 Van De Riet et al. D6/366
D457,739 S * 5/2002 Pearce et al. D6/366
D469,265 S * 1/2003 Holbrook et al. D6/366
D512,846 S * 12/2005 Goodworth D6/374

D535,838 S * 1/2007 Ritch et al. D6/500
D543,374 S * 5/2007 Huerlimann D6/380
D546,085 S * 7/2007 Ritch et al. D6/366
D548,475 S * 8/2007 Ritch et al. D6/368
D550,471 S * 9/2007 Igarashi D6/372
D557,515 S * 12/2007 Breen D6/376
D575,542 S * 8/2008 Igarashi D6/380
D581,689 S * 12/2008 Marini D6/380
D587,915 S * 3/2009 Igarashi D6/366
D592,876 S * 5/2009 Smith et al. D6/380
D600,035 S * 9/2009 Olano Jauregui D6/375

(Continued)

FOREIGN PATENT DOCUMENTS

JP D1207492 S 6/2004
JP D1208005 S 6/2004

Primary Examiner — Ricky Pham

(74) *Attorney, Agent, or Firm* — Drinker Biddle & Reath LLP

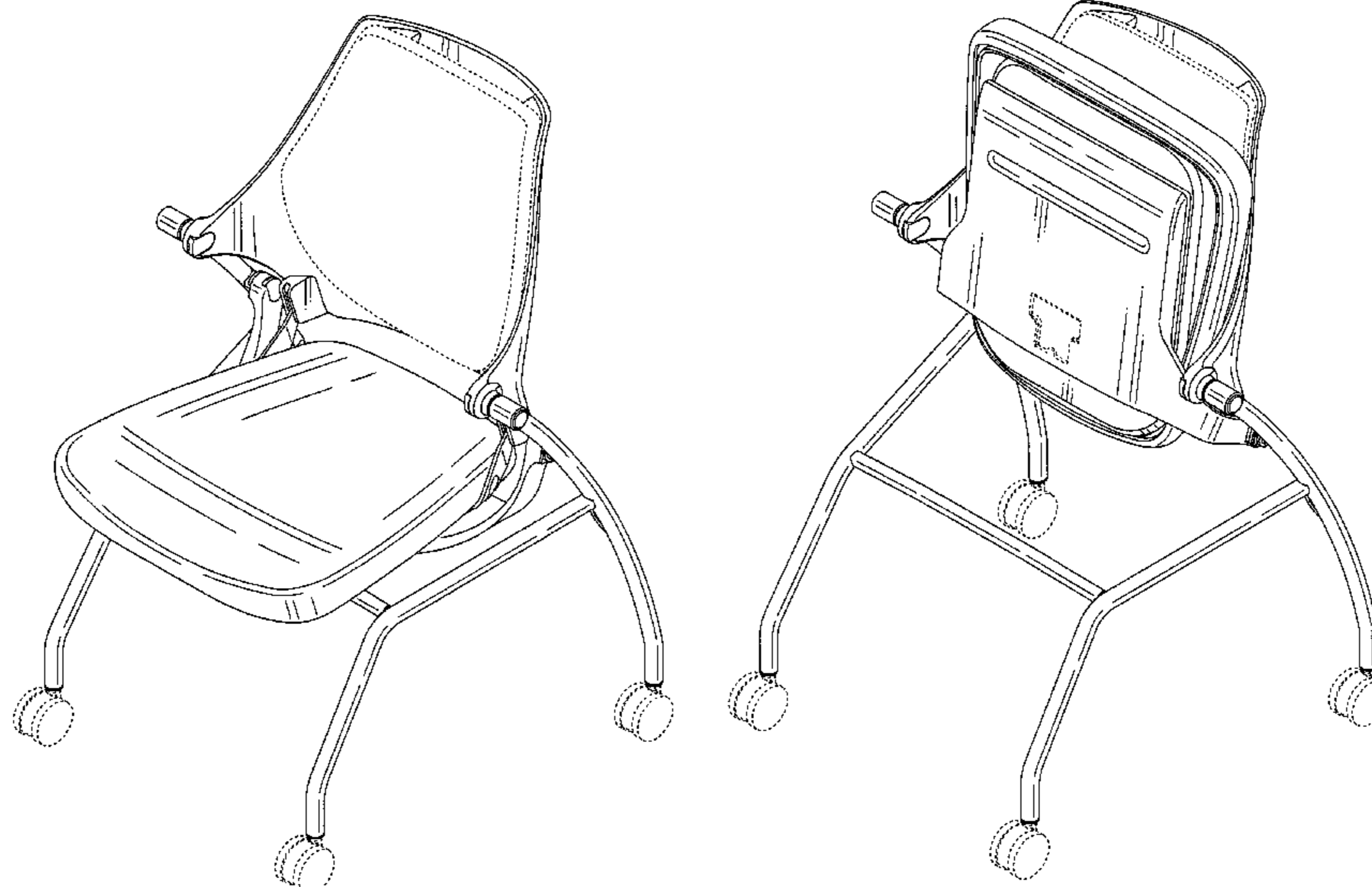
(57) **CLAIM**

The ornamental design for the chair, as shown and described.

DESCRIPTION

FIG. 1 is a perspective view of the front, top and right side of the chair;
FIG. 2 is a perspective view of the rear, top and left side thereof;
FIG. 3 is a front view thereof;
FIG. 4 is a rear view thereof;
FIG. 5 is a right side view thereof, a left side view being a mirror image of the right side view;
FIG. 6 is a top plan view thereof;
FIG. 7 is a bottom view thereof; and,
FIG. 8 is a perspective view of the front, top and right side of the chair in a case that a seat is folded up.
The portions of the article in broken lines are shown for illustrative purposes only and form no part of the claimed design.

1 Claim, 8 Drawing Sheets



(56)

References Cited

U.S. PATENT DOCUMENTS

D600,052 S * 9/2009 Smith et al. D6/502
D600,931 S * 9/2009 Pearson et al. D6/366
D601,362 S * 10/2009 Piorek D6/372
D609,037 S * 2/2010 Miller et al. D6/500

D646,085 S * 10/2011 Overthun et al. D6/500
D648,968 S * 11/2011 Piretti et al. D6/502
D654,291 S 2/2012 Pearson et al.
D660,056 S * 5/2012 Diffrient D6/500
D667,243 S * 9/2012 Su D6/500
D673,385 S * 1/2013 Lu D6/366
D680,765 S * 4/2013 Ballendat D6/366

* cited by examiner

Fig. 1

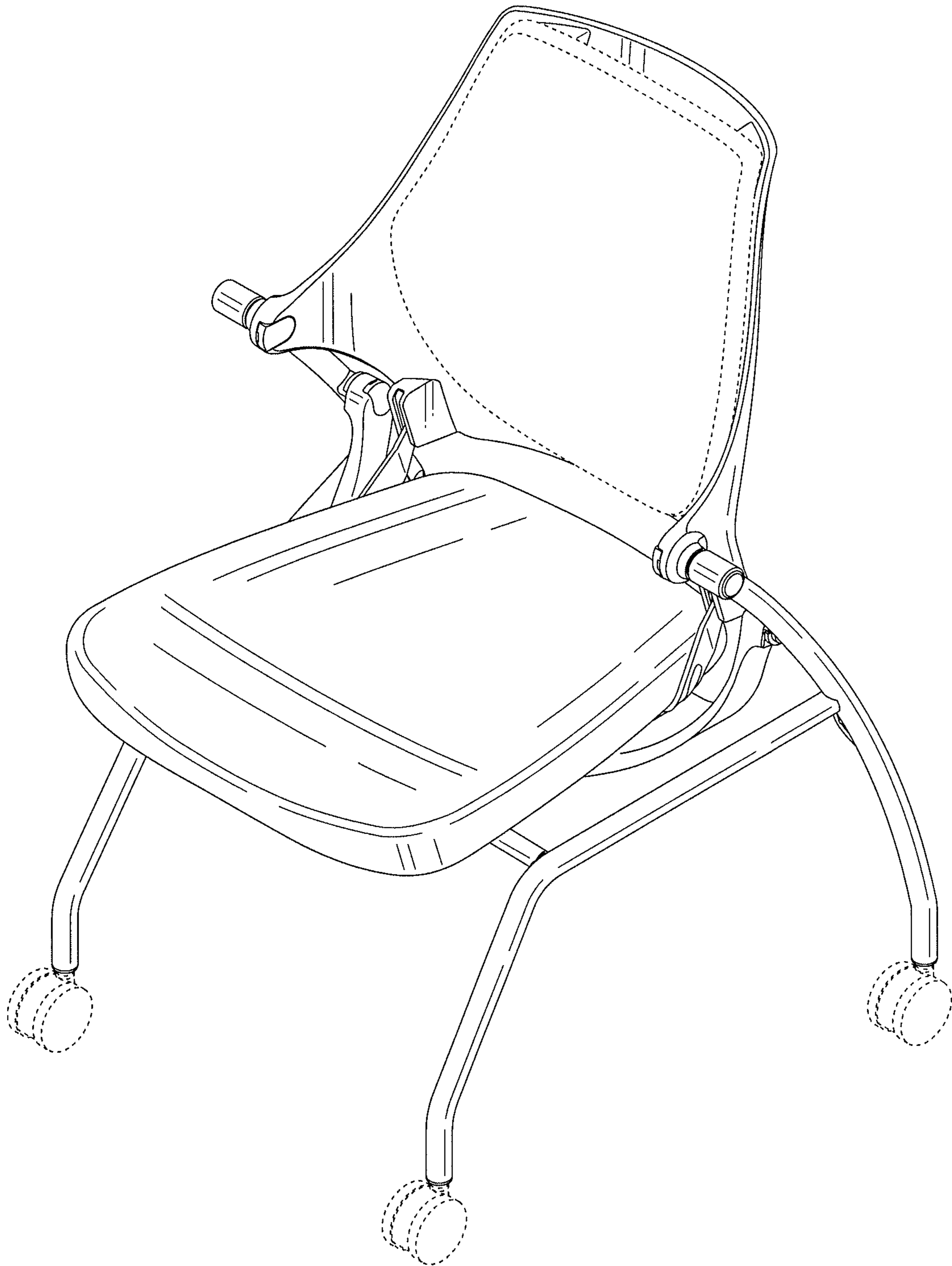


Fig. 2

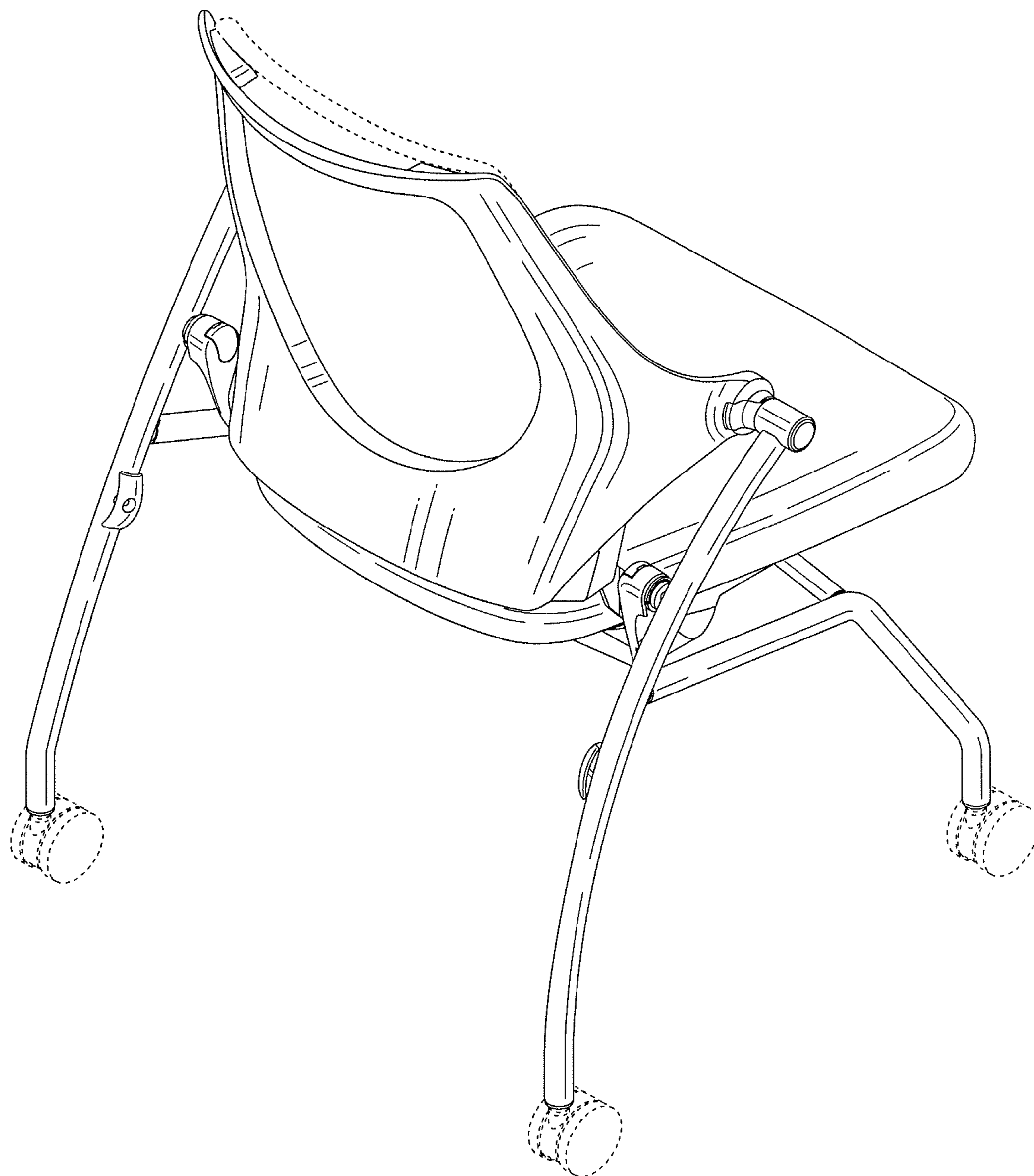


Fig. 3

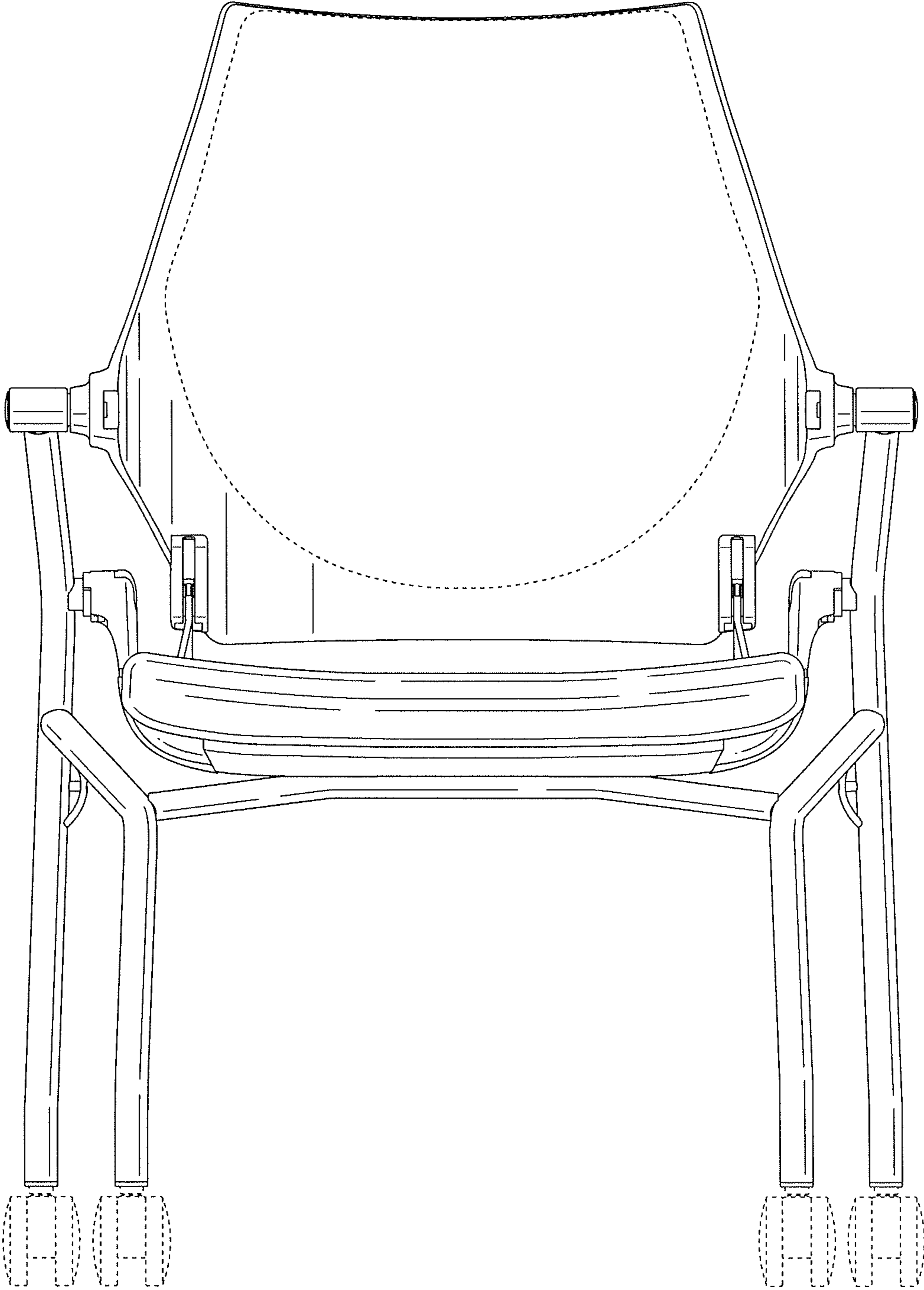


Fig. 4

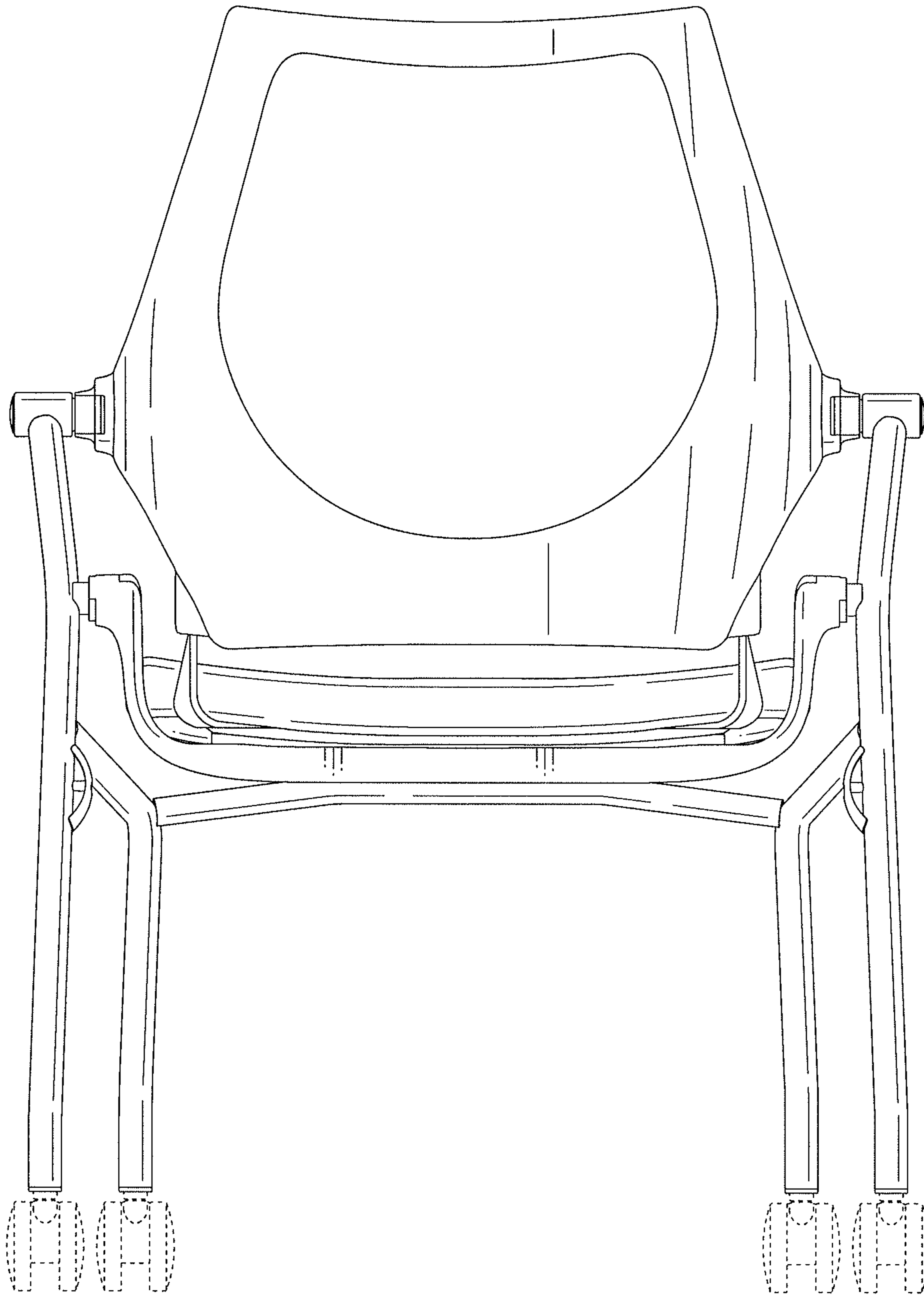


Fig. 5

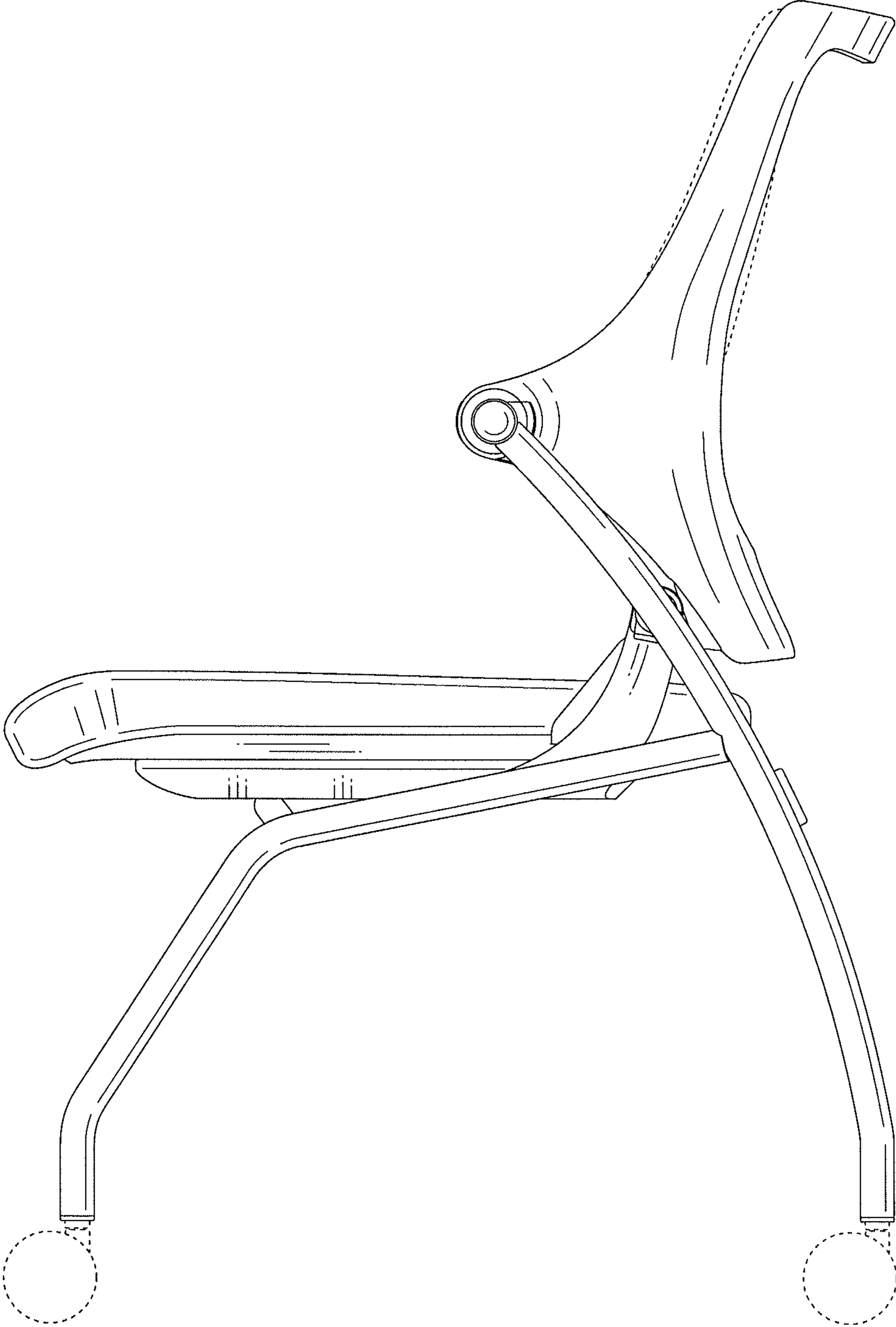


Fig. 6

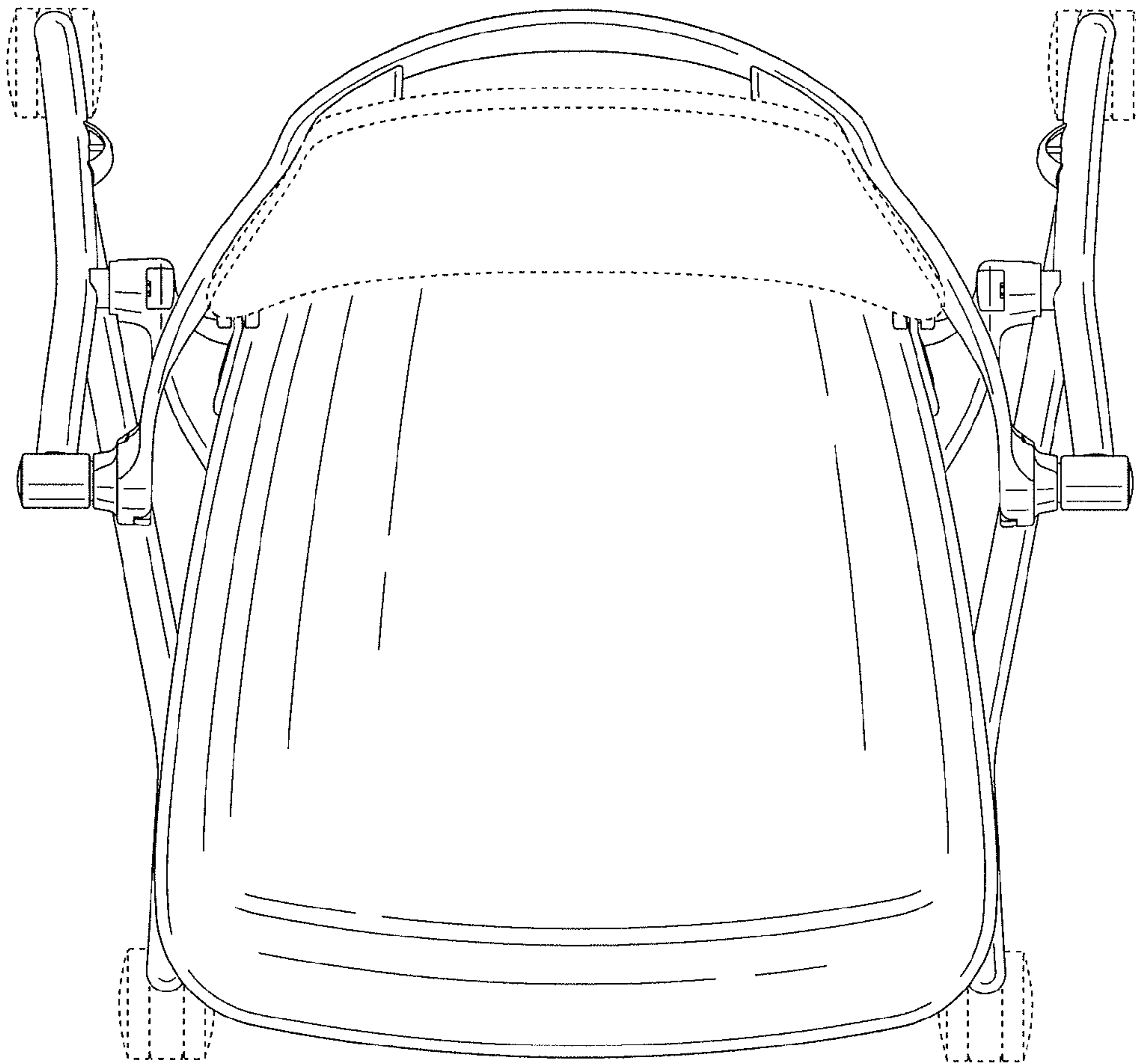


Fig. 7

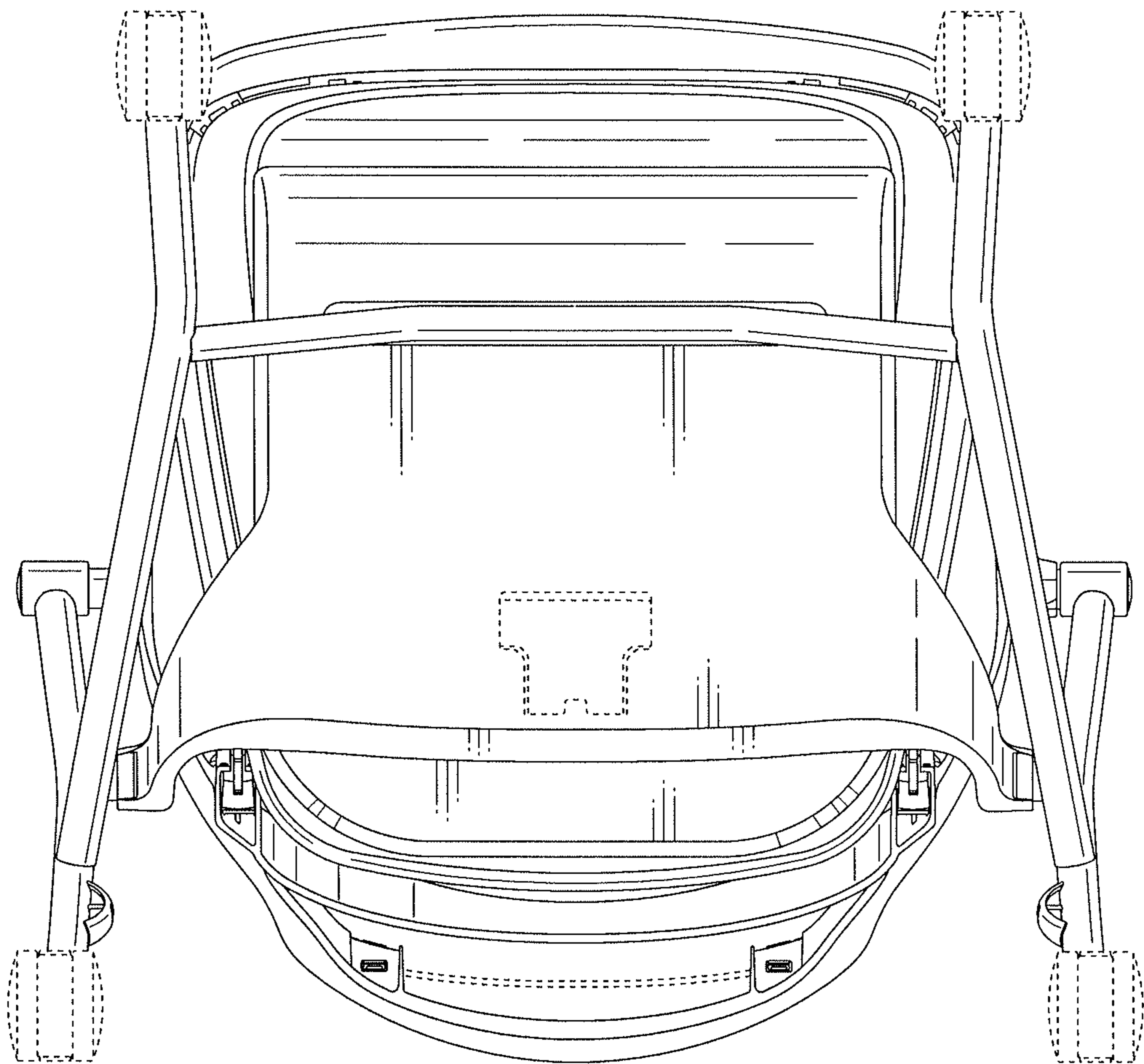


Fig. 8

