



US00D703457S

(12) **United States Design Patent**
Plikat et al.

(10) **Patent No.:** **US D703,457 S**
(45) **Date of Patent:** **** Apr. 29, 2014**

(54) **CHAIR**

(71) Applicants: **Claudia Plikat**, Berlin (DE); **Johann Burkhard Schmitz**, Berlin (DE); **Carola Eva Marianne Zwick**, Berlin (DE); **Roland Rolf Otto Zwick**, Berlin (DE)

(72) Inventors: **Claudia Plikat**, Berlin (DE); **Johann Burkhard Schmitz**, Berlin (DE); **Carola Eva Marianne Zwick**, Berlin (DE); **Roland Rolf Otto Zwick**, Berlin (DE)

(73) Assignee: **Herman Miller, Inc.**, Zeeland, MI (US)

(**) Term: **14 Years**

(21) Appl. No.: **29/457,262**

(22) Filed: **Jun. 7, 2013**

(51) **LOC (10) Cl.** **06-01**

(52) **U.S. Cl.**
USPC **D6/366**

(58) **Field of Classification Search**
USPC D6/334-336, 344-353, 360-381, 388, D6/403, 491-502, 692, 708, 716, D6/716.2-716.4; 297/16.1, 22, 31, 35, 297/217.1, 228.12, 239, 256.16, 271.6, 297/284.4-284.5, 291, 297-298, 300.1, 297/302.4, 411.2, 411.27-411.29, 411.43, 297/423.1, 423.12, 440.11, 440.15, 440.24, 297/448.1, 451.4, 452.13, 452.18, 452.19, 297/452.21, 452.27, 452.29, 452.3, 452.41, 297/452.56, 452.64

See application file for complete search history.

(56) **References Cited**

U.S. PATENT DOCUMENTS

2,124,634 A 7/1938 Russell et al.
3,133,765 A 5/1964 Kramer

(Continued)

FOREIGN PATENT DOCUMENTS

DE 12 82 262 A1 11/1968
DE 37 33 287 A1 4/1989

(Continued)

OTHER PUBLICATIONS

Digital image of "Ypsilon" by Vitra, date unknown, but published prior to Jun. 7, 2013, 1 page.

(Continued)

Primary Examiner — Ricky Pham

(74) *Attorney, Agent, or Firm* — Brinks Gilson & Lione

(57) **CLAIM**

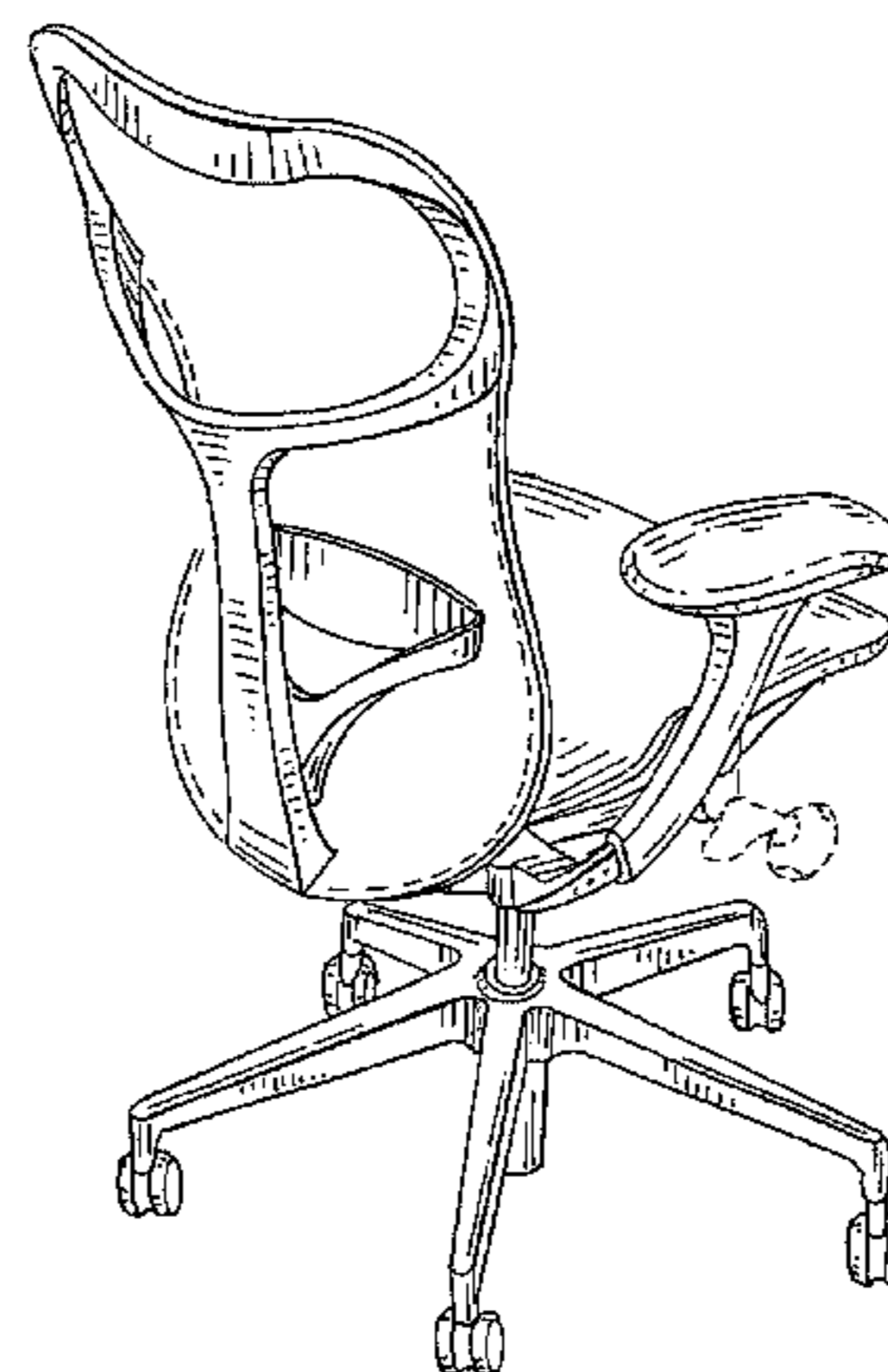
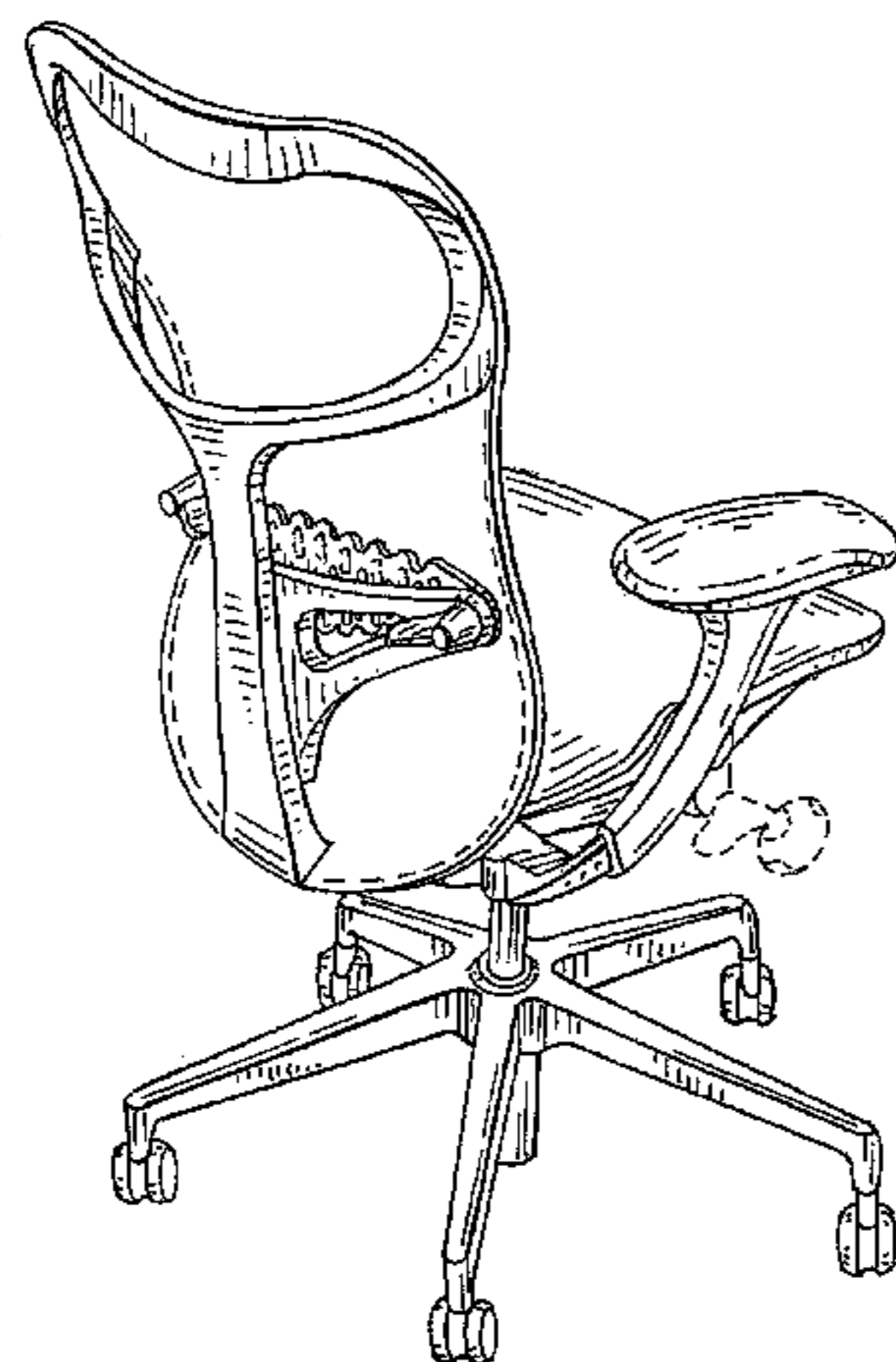
The ornamental design for a chair, as shown and described.

DESCRIPTION

FIG. 1 is a perspective view of one embodiment of a chair; FIG. 2 is right side view of the chair shown in FIG. 1, with a left side view being a mirror image thereof; FIG. 3 is a front view of the chair shown in FIG. 1; FIG. 4 is a rear view of the chair shown in FIG. 1; FIG. 5 is a top view of the chair shown in FIGS. 1 and 7; FIG. 6 is a bottom view of the chair shown in FIGS. 1 and 7; FIG. 7 is a perspective view of another embodiment of a chair; FIG. 8 is a right side view of the chair shown in FIG. 7, with a left side view being a mirror image thereof; FIG. 9 is a front view of the chair shown in FIG. 7; and, FIG. 10 is a rear view of the chair shown in FIG. 7.

The broken lines outlining various controls in FIGS. 1-10, and the broken lines outlining the openings in a lumbar support in FIGS. 1 and 4, are for environmental purposes only and do not form any part of the claimed design. It should be understood that the body support member shown in FIGS. 1-10 may have similar openings as shown in the lumbar support of FIGS. 1 and 4, but such openings have been omitted for clarity and do not form any part of the claimed design.

1 Claim, 5 Drawing Sheets



(56)

References Cited

U.S. PATENT DOCUMENTS

2006/0138849	A1	6/2006	Wilkerson et al.
2006/0225666	A1	10/2006	Axelrod
2006/0275586	A1	12/2006	Hus et al.
2007/0035064	A1	2/2007	Coffield
2007/0102987	A1	5/2007	Chen
2007/0199797	A1	8/2007	Sell et al.
2008/0017304	A1	1/2008	Sell et al.
2008/0050551	A1	2/2008	Cleereman et al.
2008/0284229	A1	11/2008	Masunaga et al.
2008/0295950	A1	12/2008	Mack et al.
2009/0102268	A1	4/2009	Schmitz et al.
2009/0318843	A1	12/2009	Van Holten et al.
2010/0080980	A1	4/2010	Maheshwari et al.
2010/0117433	A1	5/2010	Cassaday
2010/0244521	A1*	9/2010	Ueda 297/298
2010/0289308	A1	11/2010	Schmitz et al.

FOREIGN PATENT DOCUMENTS

DE	41 32 413	A1	4/1993
DE	42 28 283	A1	3/1994
EP	0 004 521	A2	10/1979
EP	0 049 310	A1	4/1982
EP	0 475 198	A2	3/1992
EP	0 517 615	A1	12/1992
EP	1 649 999	A2	4/2006
EP	1 946 676	A1	7/2008
EP	2 039 271	A1	3/2009
EP	2 110 050	A1	10/2009
JP	57-029422	A	2/1982
JP	02-150321	A	6/1990
JP	11-090999	A	4/1999
JP	2001-078852	A	3/2001
NL	196701661	A	10/1967
WO	WO 86/07528	A1	12/1986
WO	WO 93/25121	A1	12/1993
WO	WO 94/12334	A1	6/1994
WO	WO 96/09160	A1	3/1996
WO	WO 98/19879	A1	5/1998
WO	WO 99/38465	A1	8/1999
WO	WO 00/22961	A1	4/2000
WO	WO 00/74531	A2	12/2000
WO	WO 2004/011223	A1	2/2004

WO	WO 2004/023934	A2	3/2004
WO	WO 2004/107915	A2	12/2004
WO	WO 2007/058937	A2	5/2007
WO	WO 2007/100522	A1	9/2007
WO	WO 2007/110737	A2	10/2007
WO	WO 2010/071719	A1	6/2010

OTHER PUBLICATIONS

Digital image of "Project 2000" by Sitag, date unknown, but published prior to Jun. 7, 2013, 1 page.

Digital image of "Fluid" by allseating, date unknown, but published prior to Jun. 7, 2013, 1 page.

Digital image of "HAG H05" by HAG, date unknown, but published prior to Jun. 7, 2013, 1 page.

Digital image of "Konca" by Kastel, date unknown, but published prior to Jun. 7, 2013, 1 page.

Digital image of "Vigor"/Topdeq, date unknown, but published prior to Jun. 7, 2013, 1 page.

Digital image of "NetWeb"/Topdeq, date unknown, but published prior to Jun. 7, 2013, 1 page.

Digital image of "Lucy" by Vecta, date unknown, but published prior to Jun. 7, 2013, 1 page.

Digital image of "Open up"/Cairo, date unknown, but published prior to Jun. 7, 2013, 1 page.

Digital image of "IB Office" Seating by Bieffe, date unknown, but published prior to Jun. 7, 2013, 1 page.

Digital image of "Freedom" by Humanscale, date unknown, but published prior to Jun. 7, 2013, 1 page.

Digital image of "Cordo" by Klöber, date unknown, but published prior to Jun. 7, 2013, 1 page.

Digital images of "Please" by Steelcase, date unknown, but published prior to Jun. 7, 2013, 1 page.

Knoblauch, M. et al., "Umspritzen Schafft Den Durchbruch," Kunststoffberater (Plastic Advisor), vol. 40, Oct. 1999, pp. 40-41 (with English translation), 7 pages.

"X99 Haworth®" brochure, date unknown, but published prior to Jun. 7, 2013, 4 pages.

"Ypsilon vitra." brochure, date unknown, but published prior to Jun. 7, 2013, 27 pages.

Izzydesign "Maxwell" brochure, date unknown, but published prior to Jun. 7, 2013, 1 page.

* cited by examiner

FIG. 2

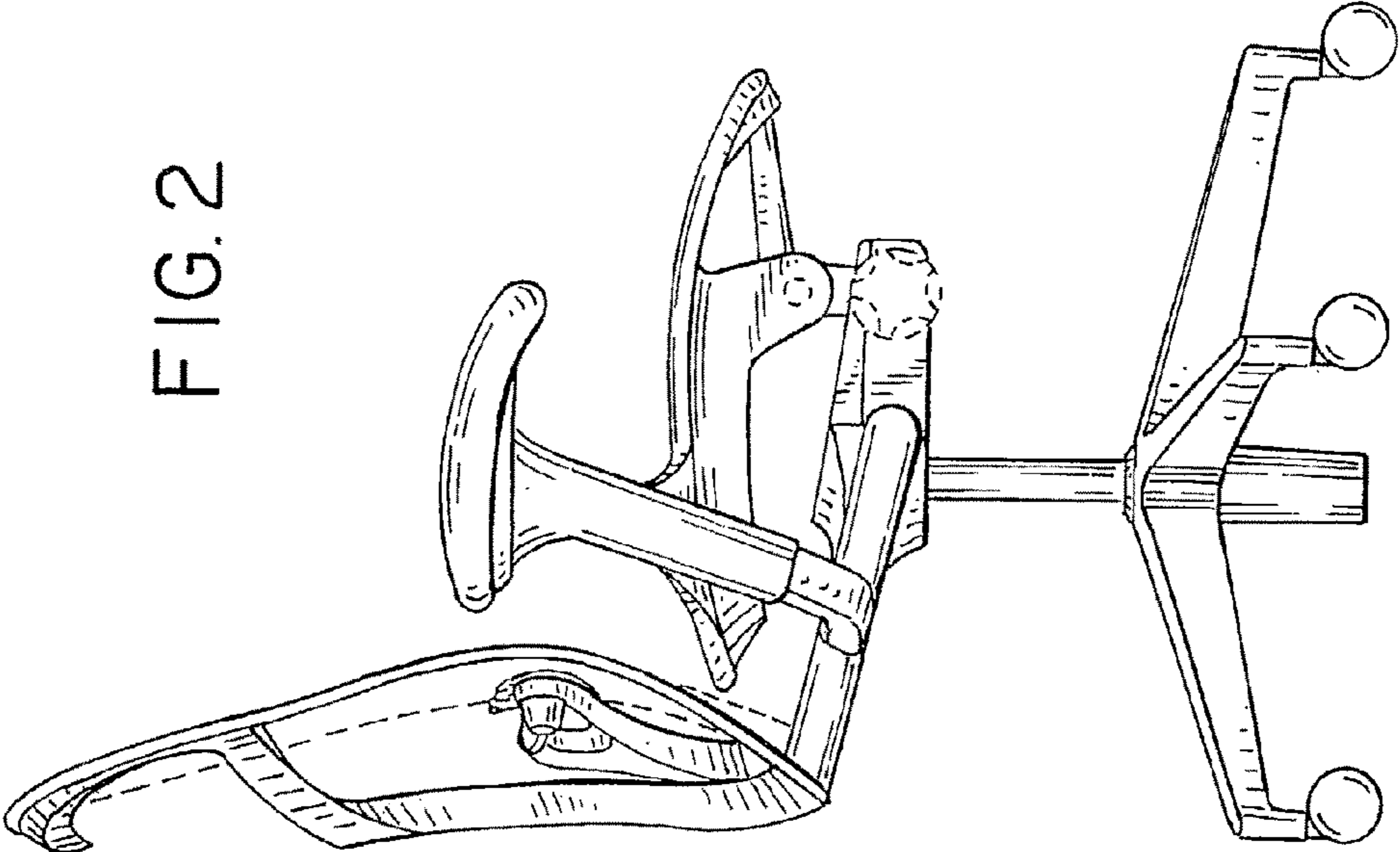
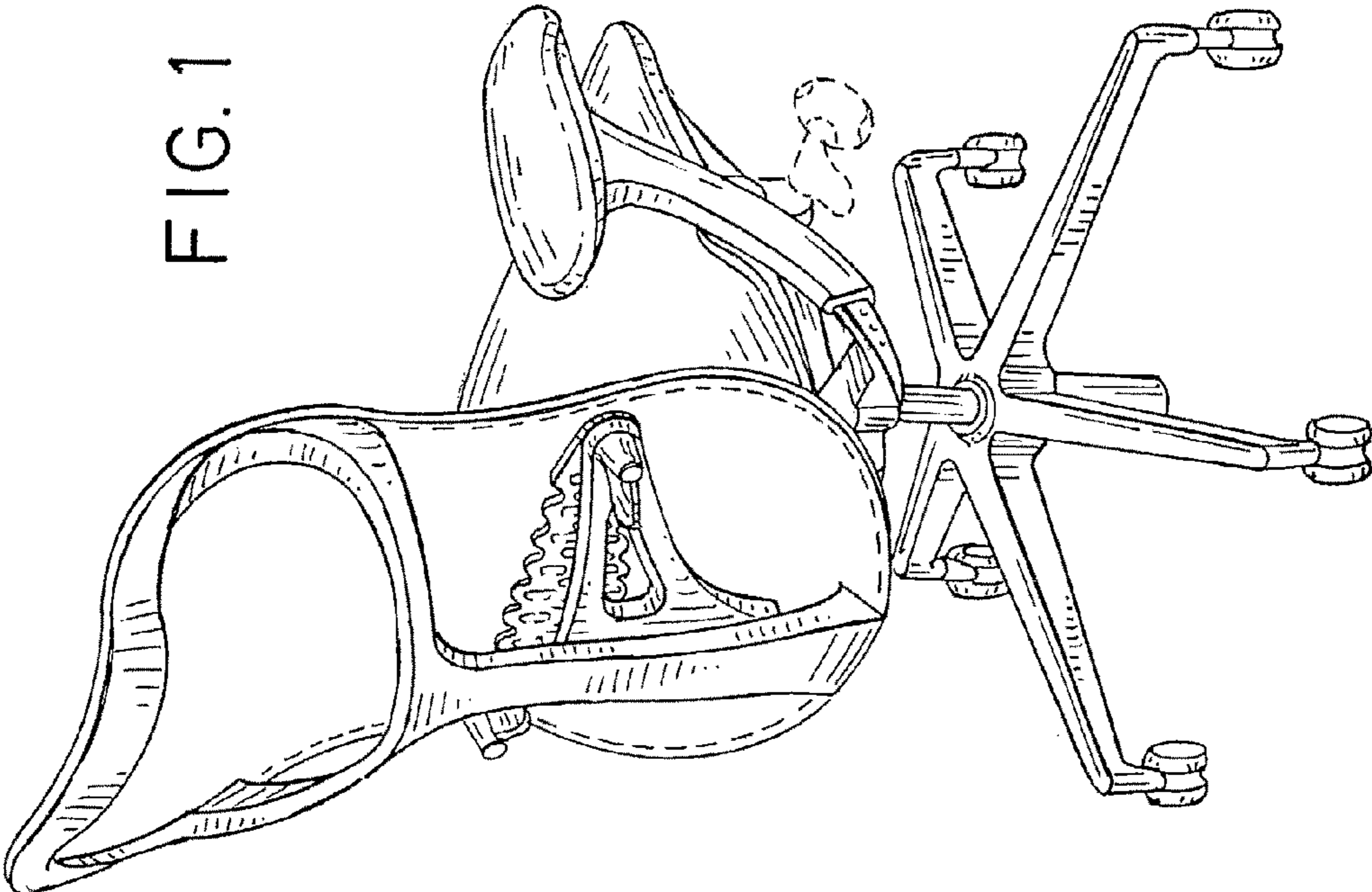


FIG. 1



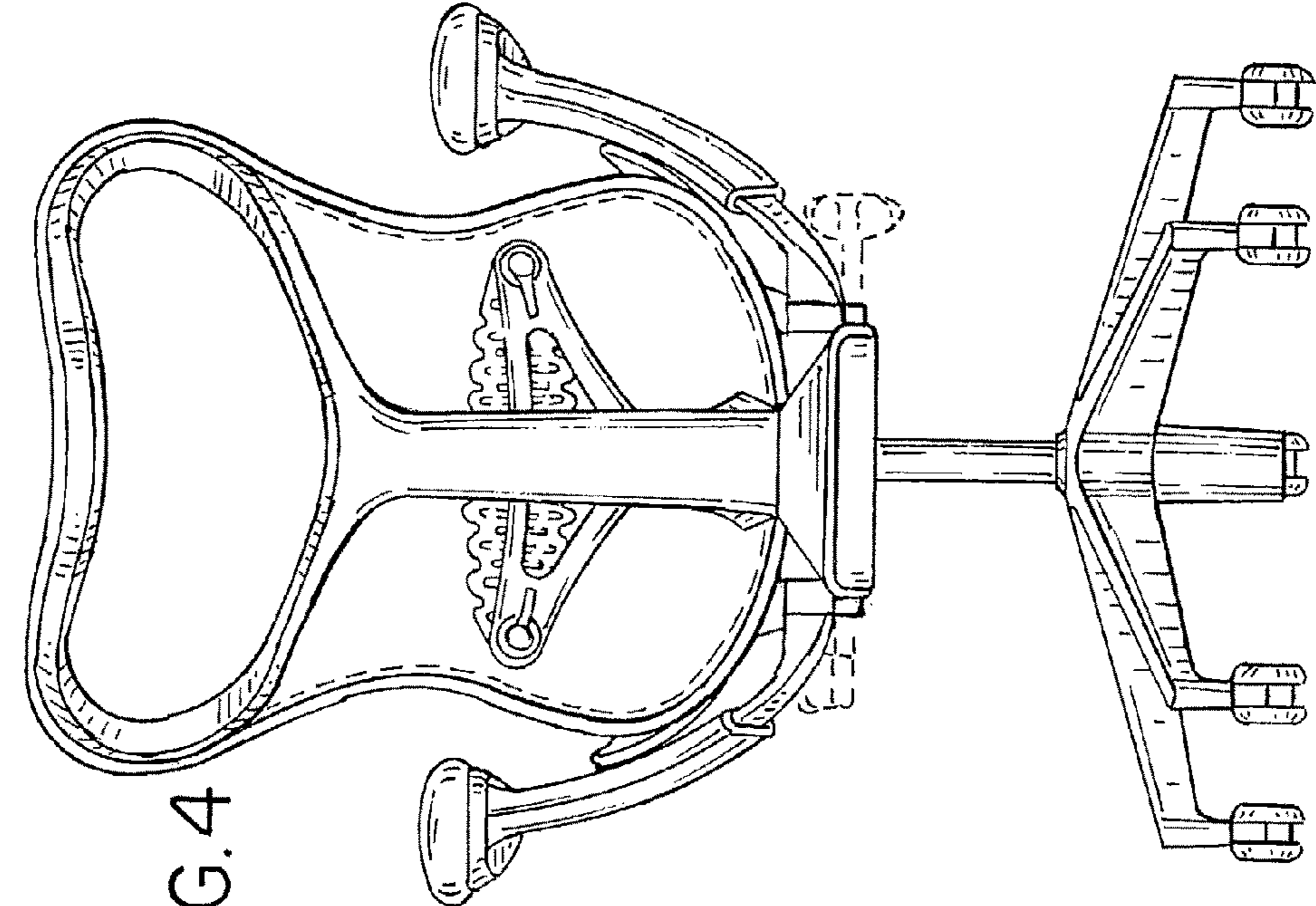


FIG.4

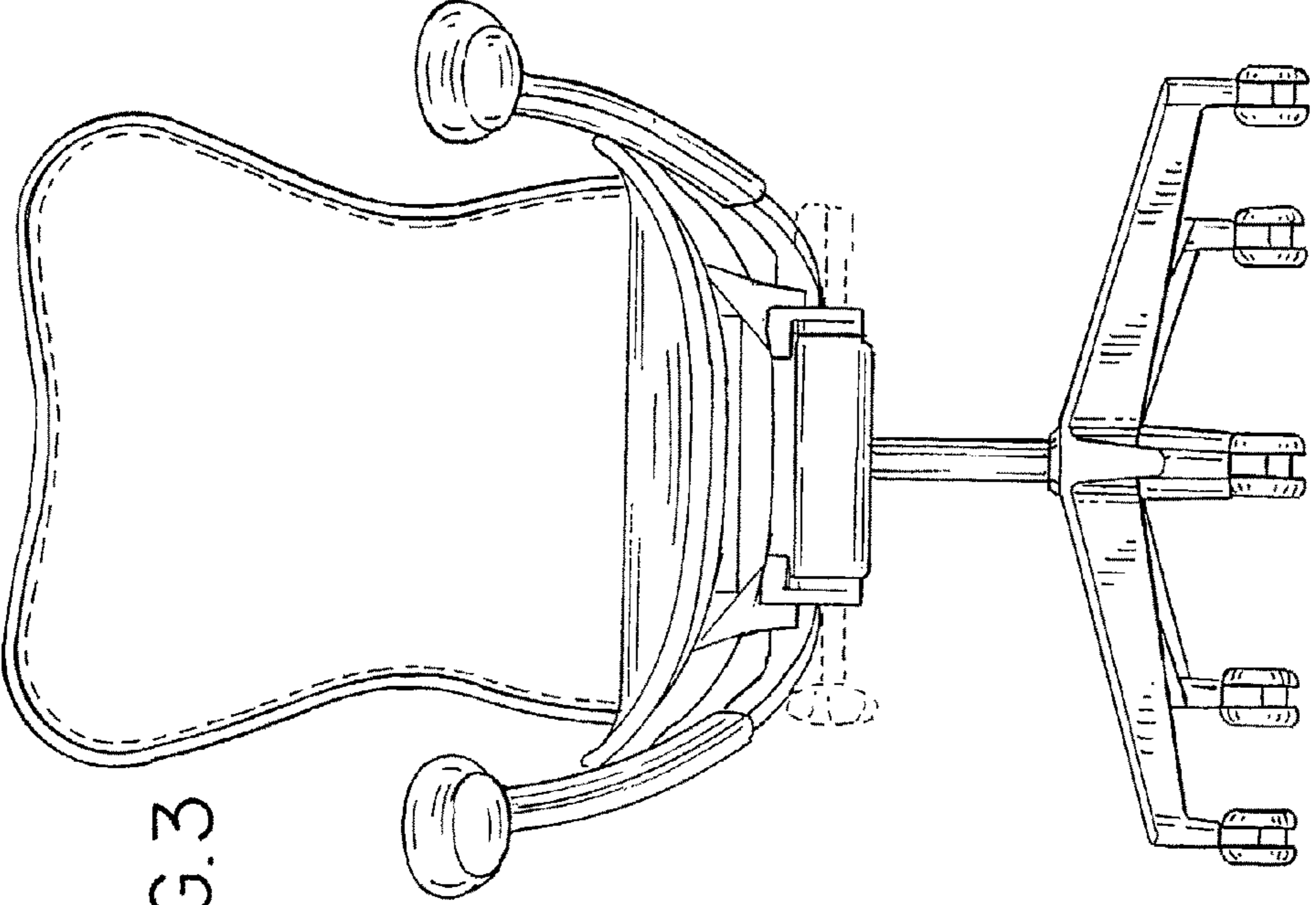


FIG.3

FIG. 5

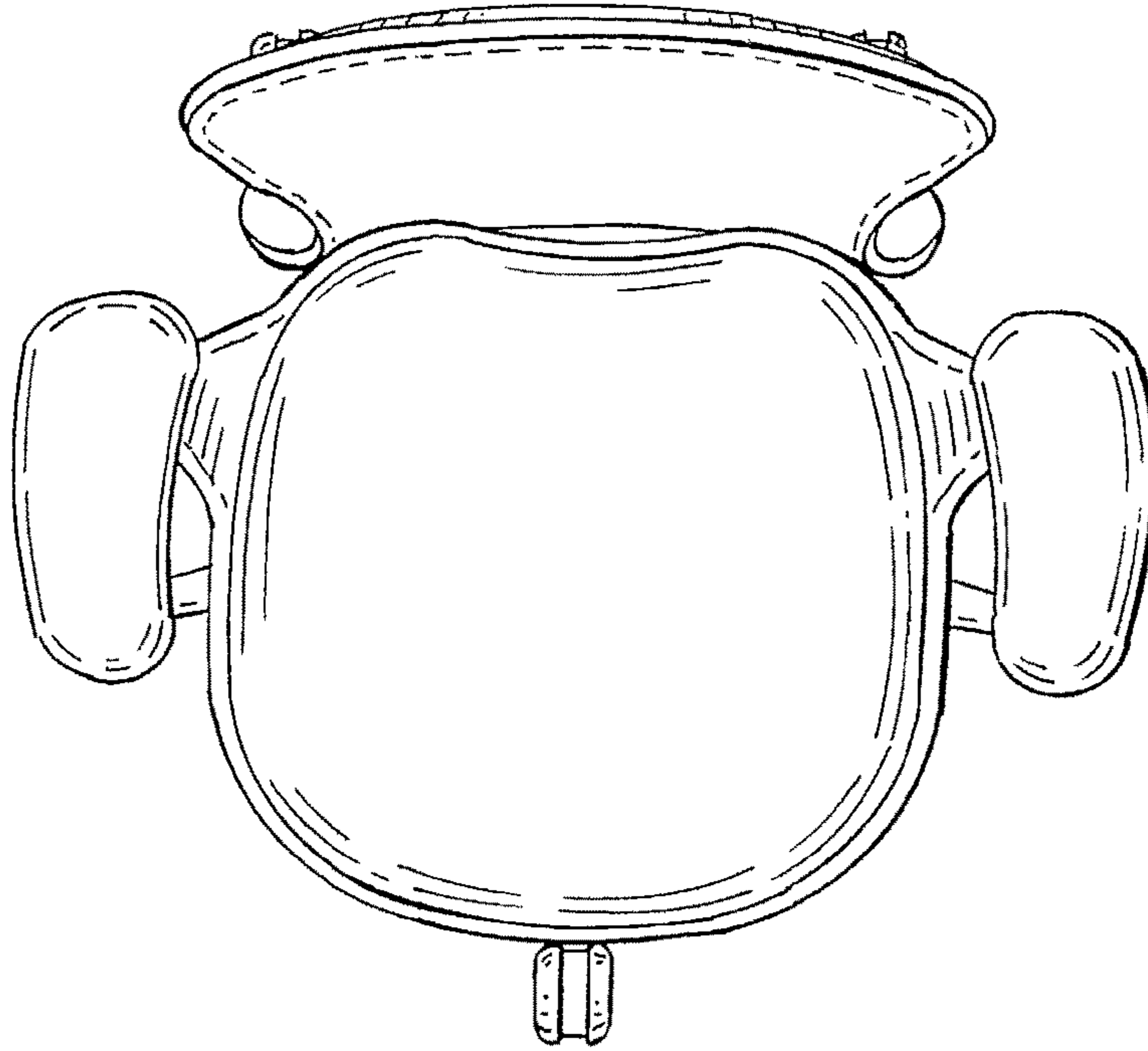


FIG. 6

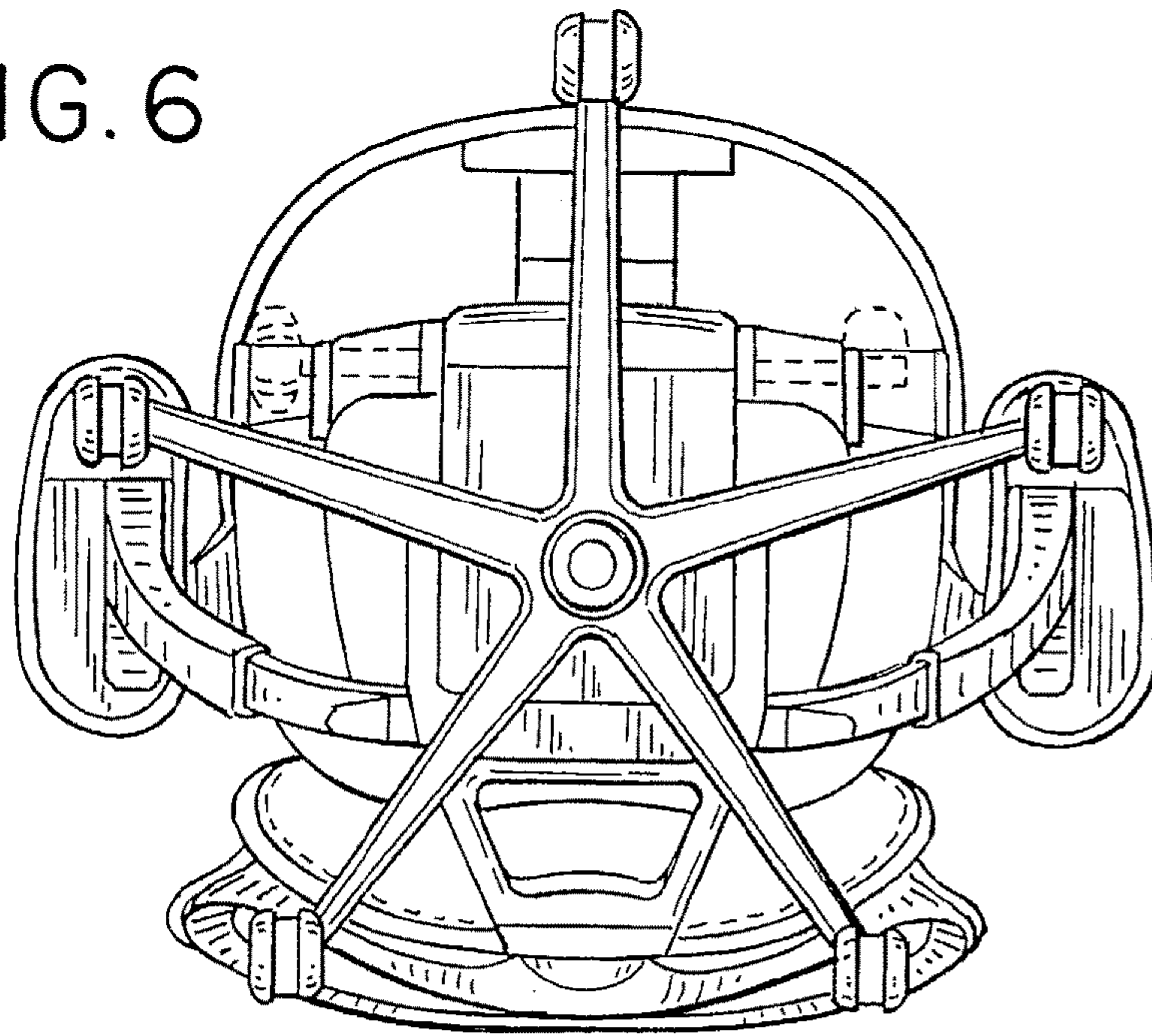


FIG. 8

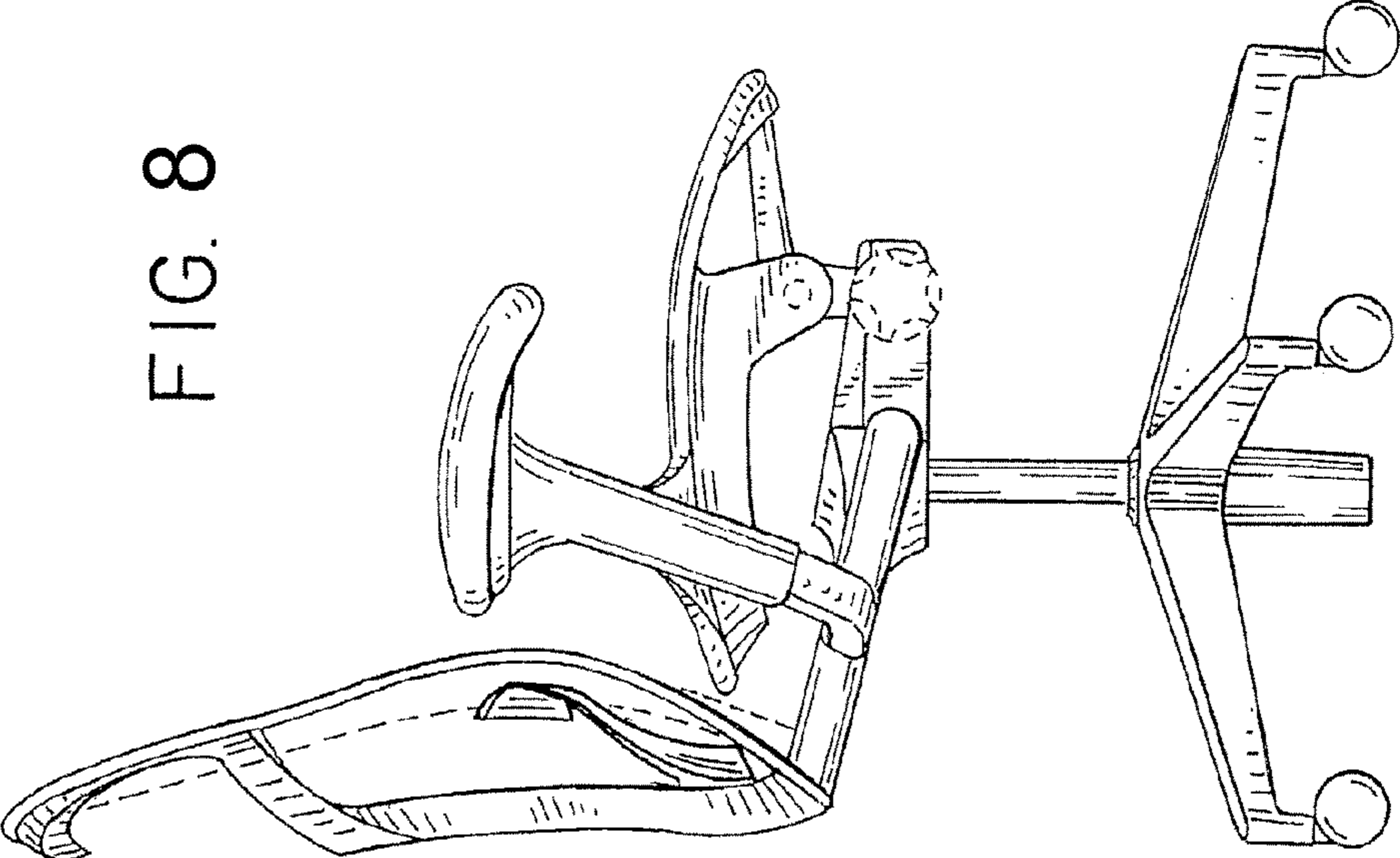


FIG. 7

